



US00D472077S

(12) **United States Design Patent**
Meier et al.

(10) **Patent No.:** **US D472,077 S**

(45) **Date of Patent:** **** Mar. 25, 2003**

(54) **SEAT TRIM**

(75) Inventors: **Louis M. Meier**, Dubuque, IA (US);
Douglas J. Abbott, Lewisville, NC (US)

(73) Assignee: **Flexsteel Industries Inc.**, Dubuque, IA (US)

(**) Term: **14 Years**

(21) Appl. No.: **29/140,014**

(22) Filed: **Apr. 11, 2001**

Related U.S. Application Data

(62) Division of application No. 29/125,822, filed on Jun. 30, 2000, now Pat. No. Des. 447,883.

(51) **LOC (7) Cl.** **06-06**

(52) **U.S. Cl.** **D6/491; D6/500**

(58) **Field of Search** D6/334, 335, 336,
D6/364, 371, 373, 381, 500-502; 5/12.1;
297/232, 445.1

(56) **References Cited**

U.S. PATENT DOCUMENTS

D85,904 S	*	1/1932	Anderson	D6/381
D86,819 S	*	4/1932	Anderson	D6/381
D97,250 S	*	10/1935	Berth	D6/495
D97,254 S	*	10/1935	Berth	D6/381
D251,880 S	*	5/1979	Beall	D6/381
D262,420 S	*	12/1981	Baxter	D6/381
D264,901 S	*	6/1982	Friedman	D6/381
D428,725 S	*	8/2000	Lee	D6/381
D447,883 S	*	9/2001	Meier et al.	D6/381

* cited by examiner

Primary Examiner—Doris V. Coles

Assistant Examiner—Mimosa De

(74) *Attorney, Agent, or Firm*—David C. Brezina; Lee, Mann, Smith, McWilliams, Sweeney & Ohlson

(57) **CLAIM**

The ornamental design for a seat trim, as shown.

DESCRIPTION

FIG. 1 is a front elevational view of the right half of the chair, of the first embodiment of the seat trim, with the upholstered portion shown in broken lines, the other half of the seat trim being a mirror image, the broken lines are not part of the claimed design.

FIG. 2 is a right side elevational view of the chair embodiment of the seat trim, with the upholstered portion shown in broken lines, the other half of the seat trim being a mirror image, the broken lines are not part of the claimed design.

FIG. 3 is a top plan view of the right half of the chair embodiment of the seat trim, with the upholstered portion shown in broken lines, the other half of the seat trim being a mirror image, the broken lines are not part of the claimed design.

FIG. 4 is a sectional view of the seat trim ornamentation of the chair embodiment of the seat trim, taken along lines 4—4 of FIG. 5, the other half of the seat trim ornamentation being a mirror image.

FIG. 5 is an elevational view of the seat trim ornamentation of the chair embodiment of the seat trim shown separately for ease of illustration.

FIG. 6 is an elevational view of the arm trim ornamentation of the chair embodiment of the seat trim, the opposite side arm trim ornamentation being a mirror image shown separately for ease of illustration.

FIG. 7 is an elevational view of the leg of the chair embodiment of the seat trim, the opposite side leg being a mirror image shown separately for ease of illustration.

FIG. 8 is a sectional view of the arm trim ornamentation of the chair embodiment of the seat trim, taken along line 8—8 of FIG. 6, the opposite side arm trim being a mirror image.

FIG. 9 is a top plan view of the leg of the chair embodiment of the seat trim, the opposite side leg being a mirror image.

FIG. 10 is a front elevational view of the right half of the love seat, of the second embodiment of the seat trim, with the upholstered portion shown in broken lines, the other half being a mirror image, the broken lines are not part of the claimed design.

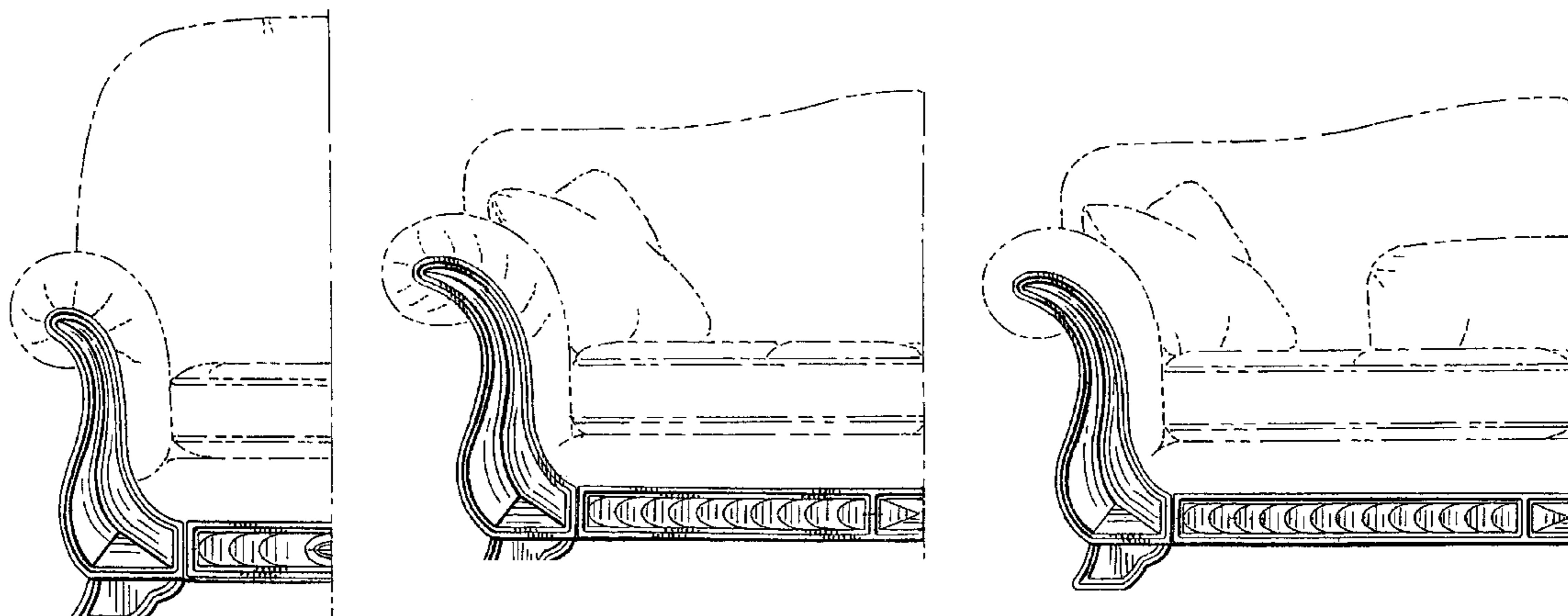


FIG. 11 is a right side elevational view of the love seat embodiment of the seat trim, with the upholstered portion shown in broken lines, of FIG. 10, the other half being a mirror image, the broken lines are not part of the claimed design.

FIG. 12 is a top plan view of the right half of the love seat embodiment of the seat trim, with the upholstered portion shown in broken lines, of FIG. 10, the other half being a mirror image, the broken lines are not part of the claimed design.

FIG. 13 is an elevational view of one half of the seat trim ornamentation of the love seat embodiment of the seat trim, the other half of the seat trim ornamentation being a mirror image shown separately for ease of illustration.

FIG. 14 is a sectional view of the seat trim ornamentation of the love seat embodiment of the seat trim, taken along line 14—14 of FIG. 13, the other half of the seat trim ornamentation being a mirror image.

FIG. 15 is an elevational view of the arm trim ornamentation of the love seat the other half of the seat trim ornamentation being a mirror image shown separately for ease of illustration.

FIG. 16 is a sectional view of the arm trim ornamentation of the love seat embodiment of the seat trim, taken along line 16—16 of FIG. 15.

FIG. 17 is a front elevational view of the right half of the sofa, of the third embodiment of the seat trim, with the upholstered portion shown in broken lines, the other half of the seat trim being a mirror image, the broken lines are not part of the claimed design.

FIG. 18 is a right side elevational view of the sofa embodiment of the seat trim, with the upholstered portion shown in broken lines, the other half of the seat trim being a mirror image, the broken lines are not part of the claimed design.

FIG. 19 is a top plan view of the right half of the sofa embodiment of the seat trim, with the upholstered portion shown in broken lines, the other half of the seat trim being a mirror image, the broken lines are not part of the claimed design.

FIG. 20 is an elevational view of the right side of the seat trim ornamentation of the sofa the other half of the seat trim ornamentation being a mirror image shown separately for ease of illustration.

FIG. 21 is a sectional view of the right half of the seat trim ornamentation of the sofa, taken along lines 21—21 of FIG. 20, the other half of the seat trim ornamentation being a mirror image.

FIG. 22 is an elevational view of the arm trim ornamentation of the sofa the other half of the seat trim ornamentation being a mirror image shown separately for ease of illustration; and,

FIG. 23 is a sectional view of the arm trim ornamentation of the sofa taken along lines 23—23 of FIG. 22, the other half of the seat trim ornamentation being a mirror image.

1 Claim, 3 Drawing Sheets

FIG.1

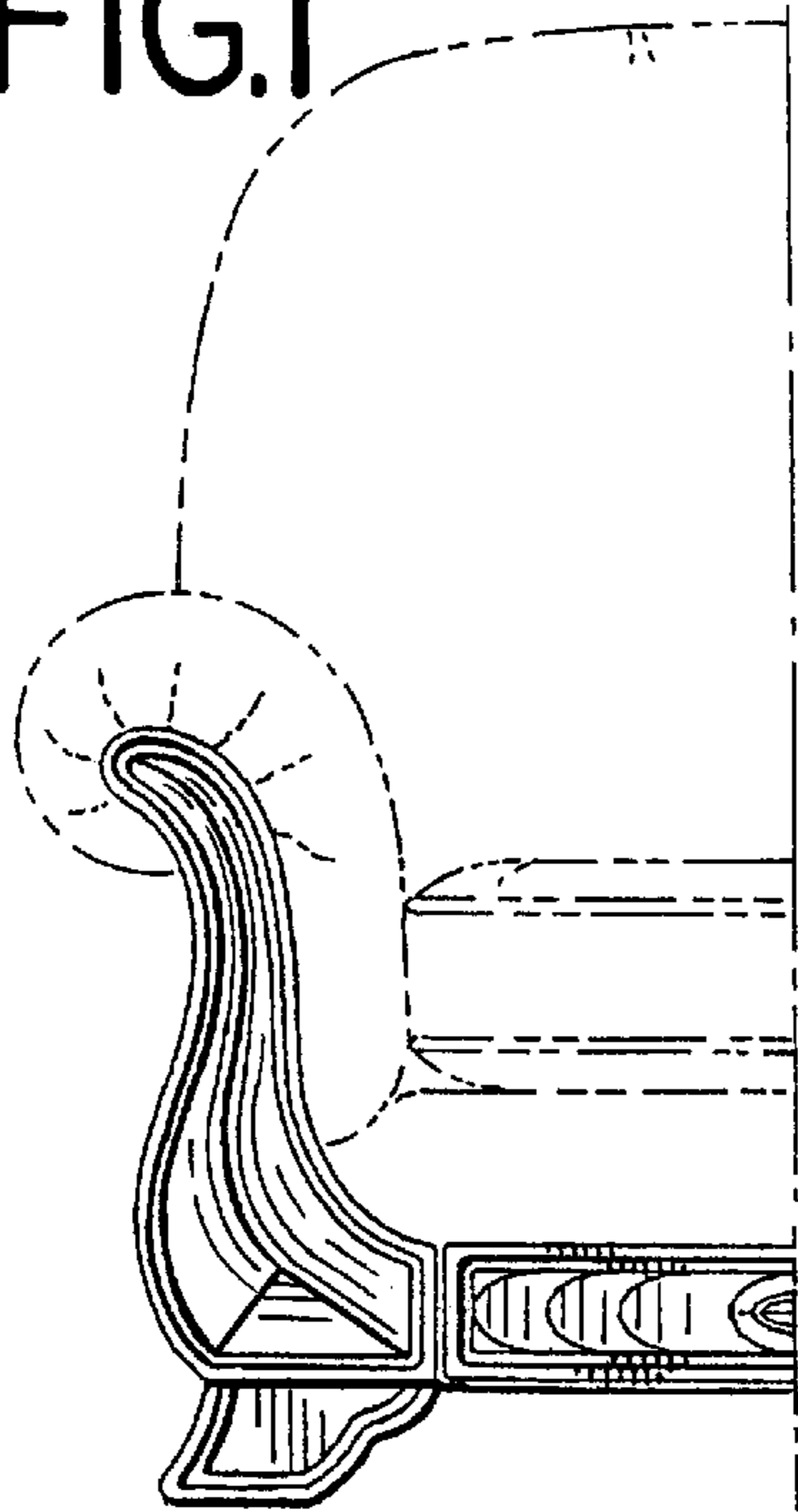


FIG.2

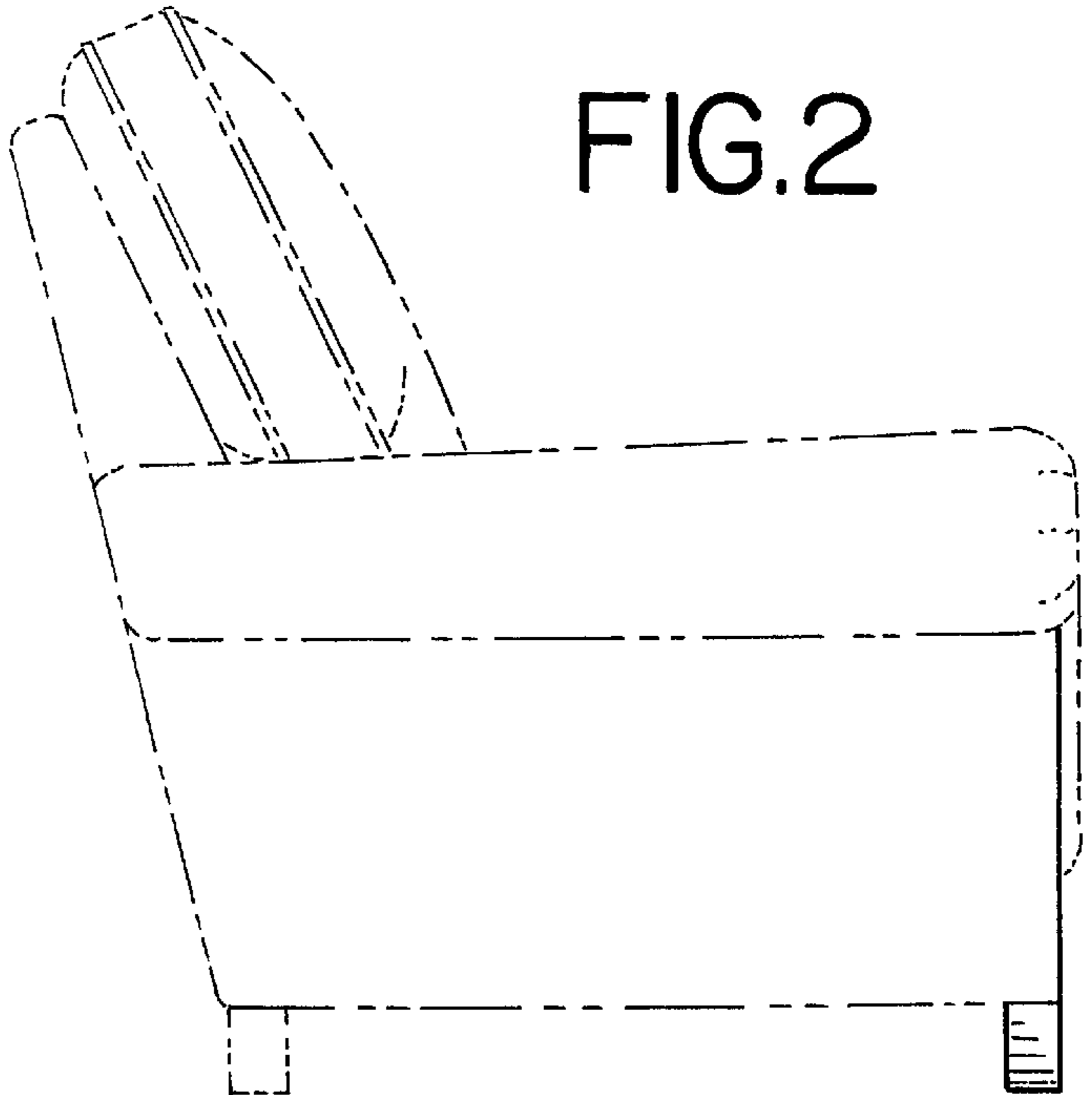


FIG.3

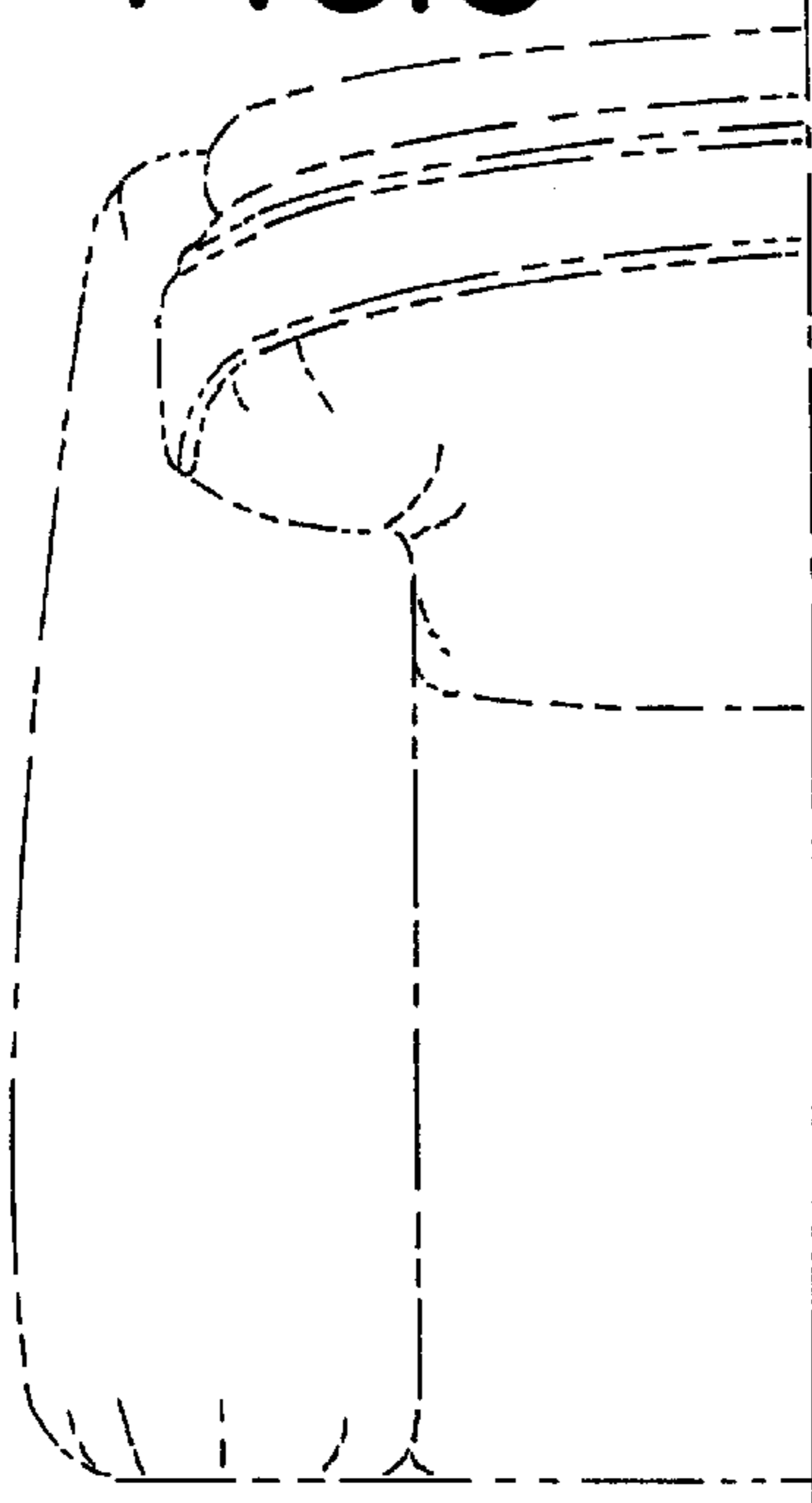


FIG.5

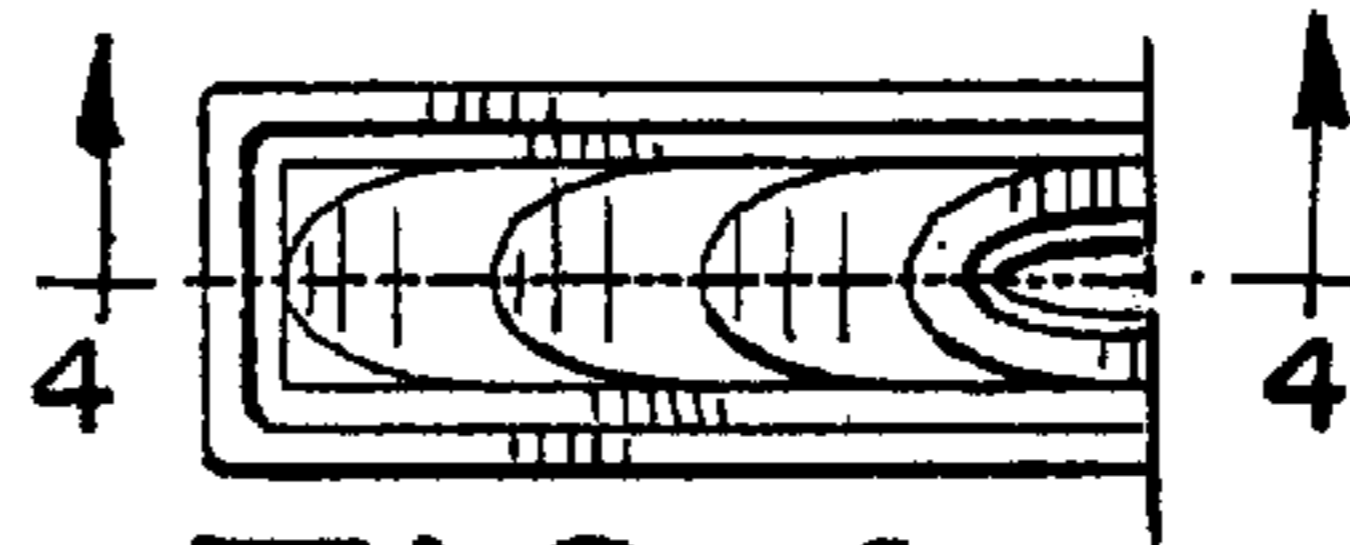


FIG.4



FIG.6

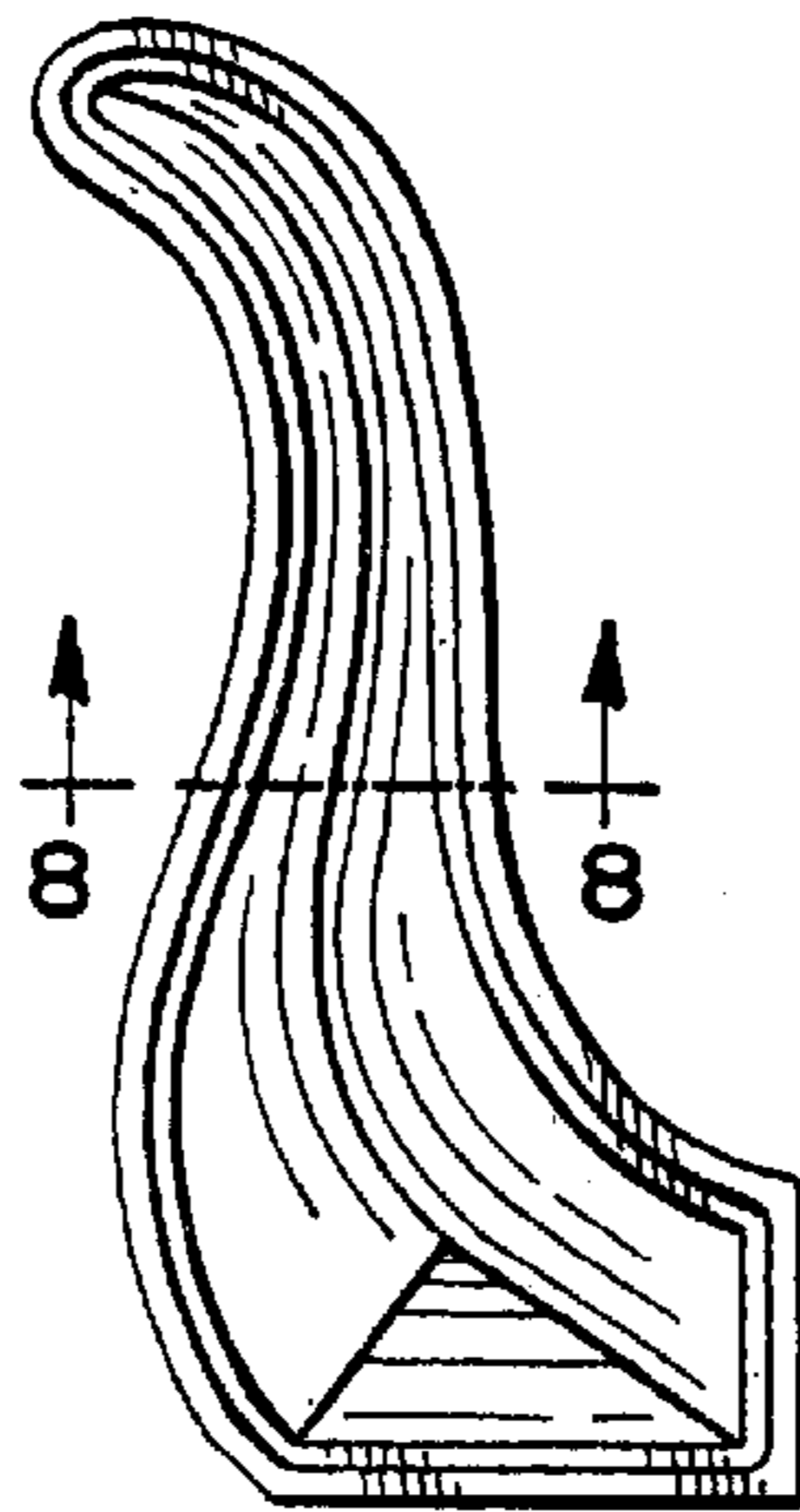


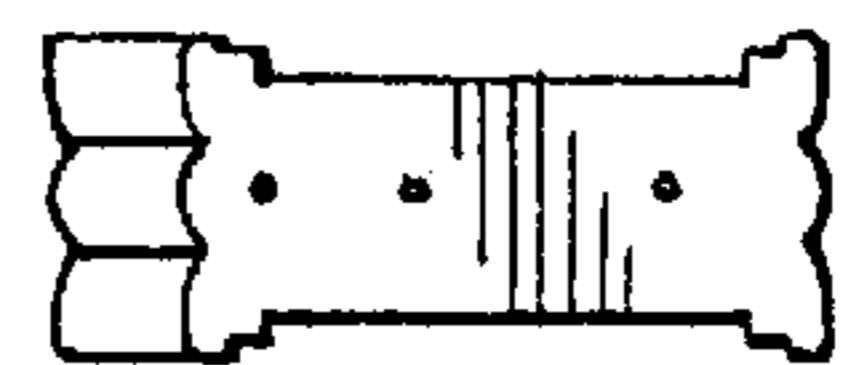
FIG.7



FIG.8



FIG.9



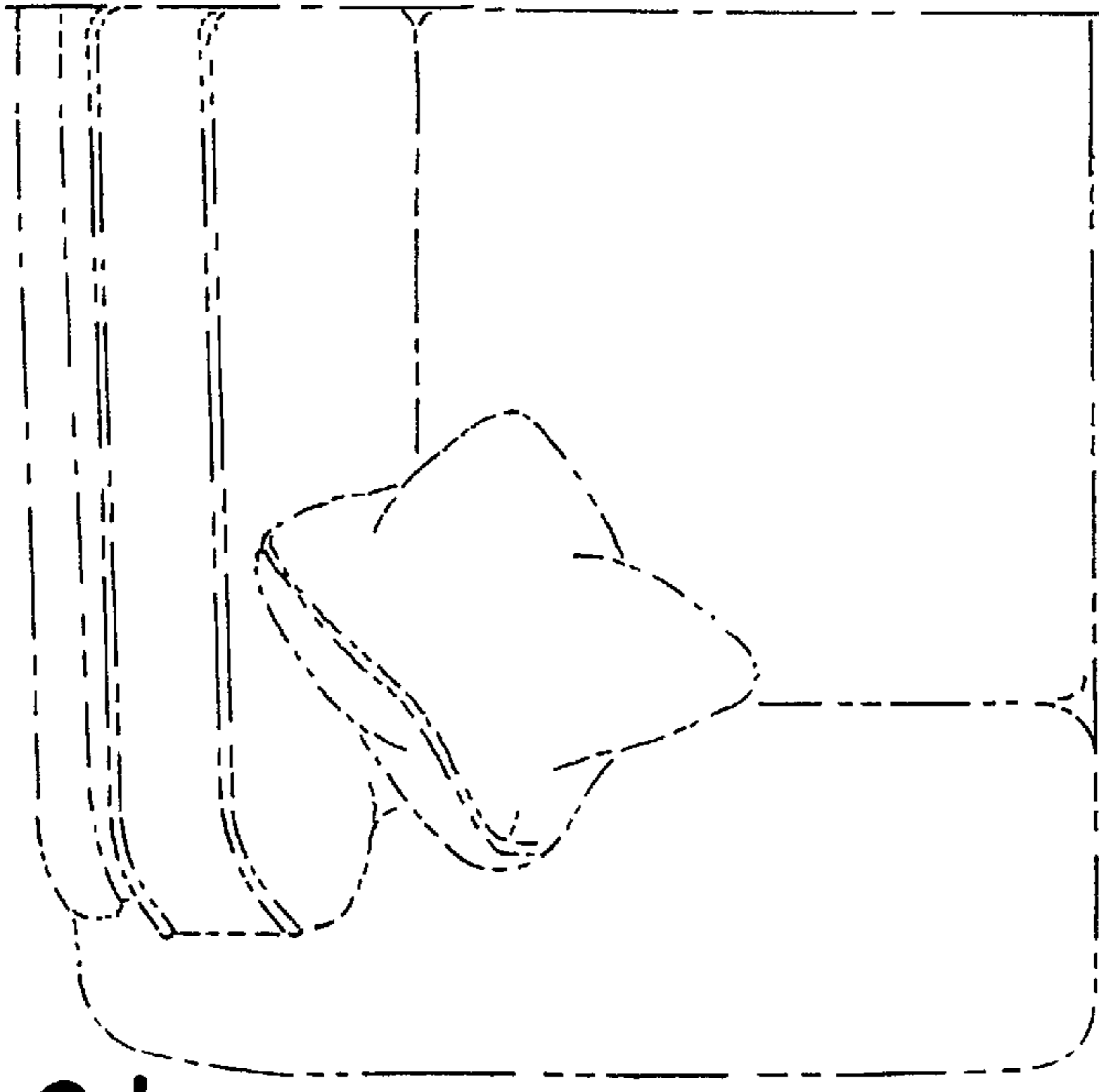


FIG. 12

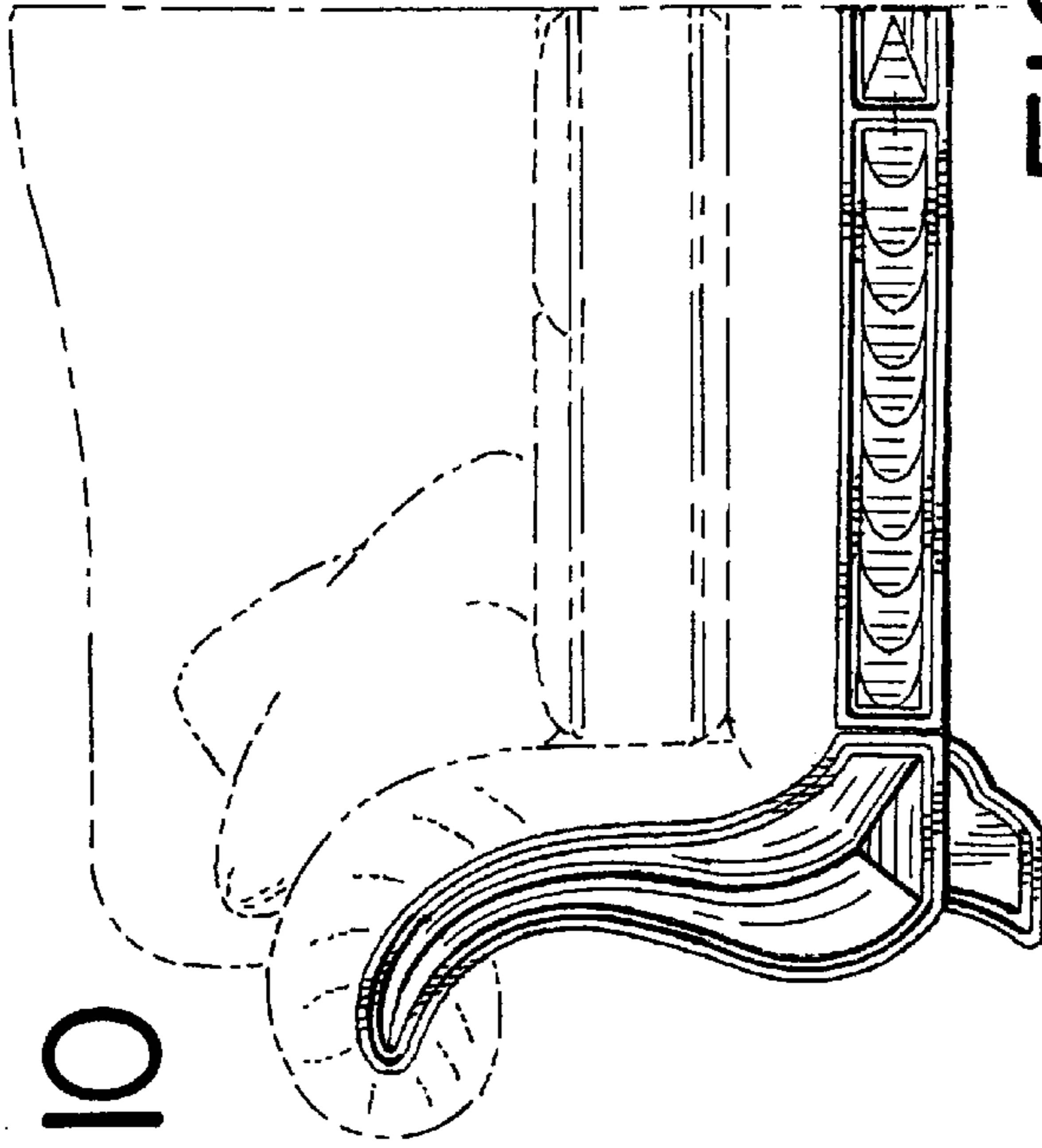


FIG. 10

FIG. 11

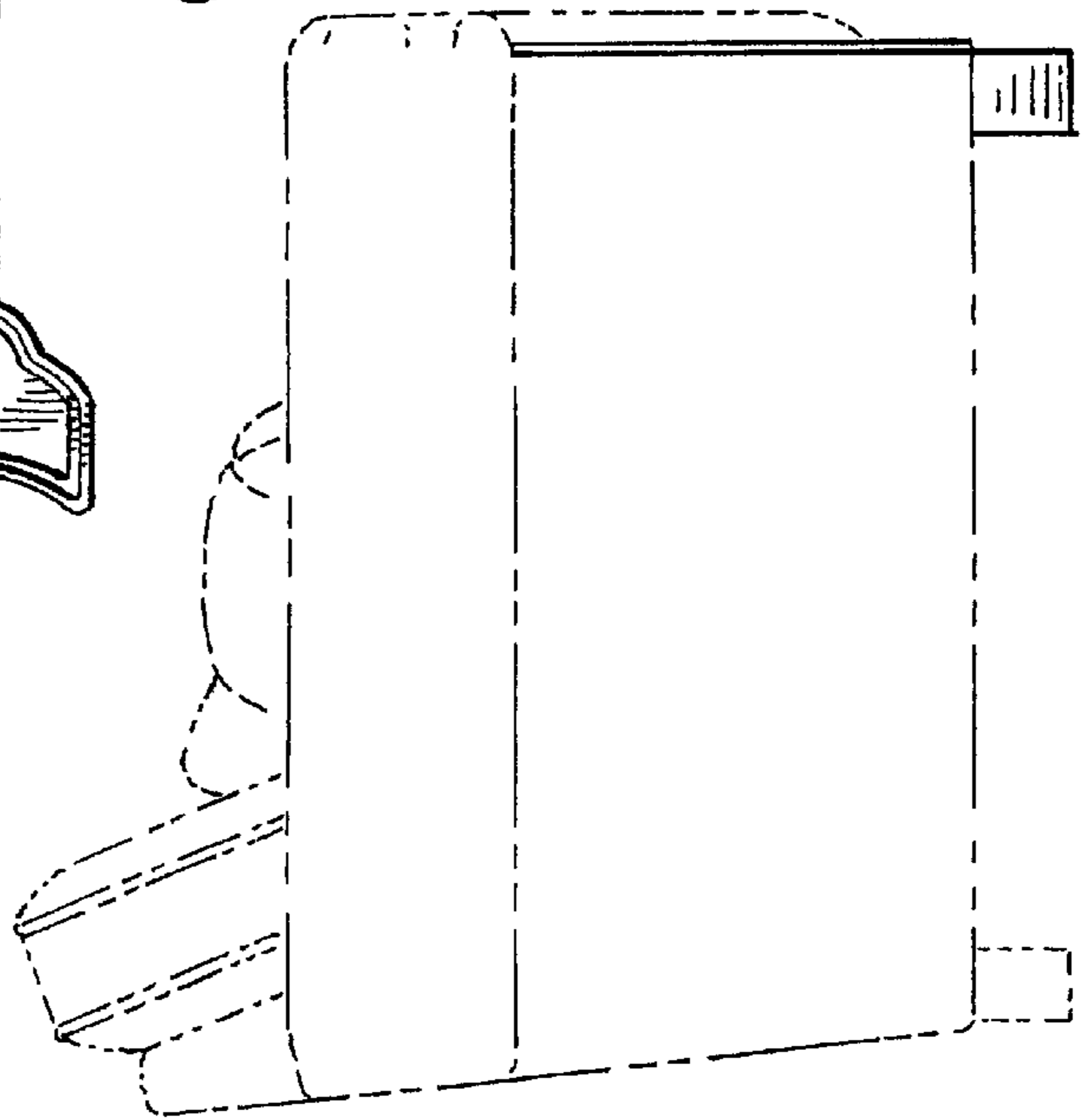


FIG. 15

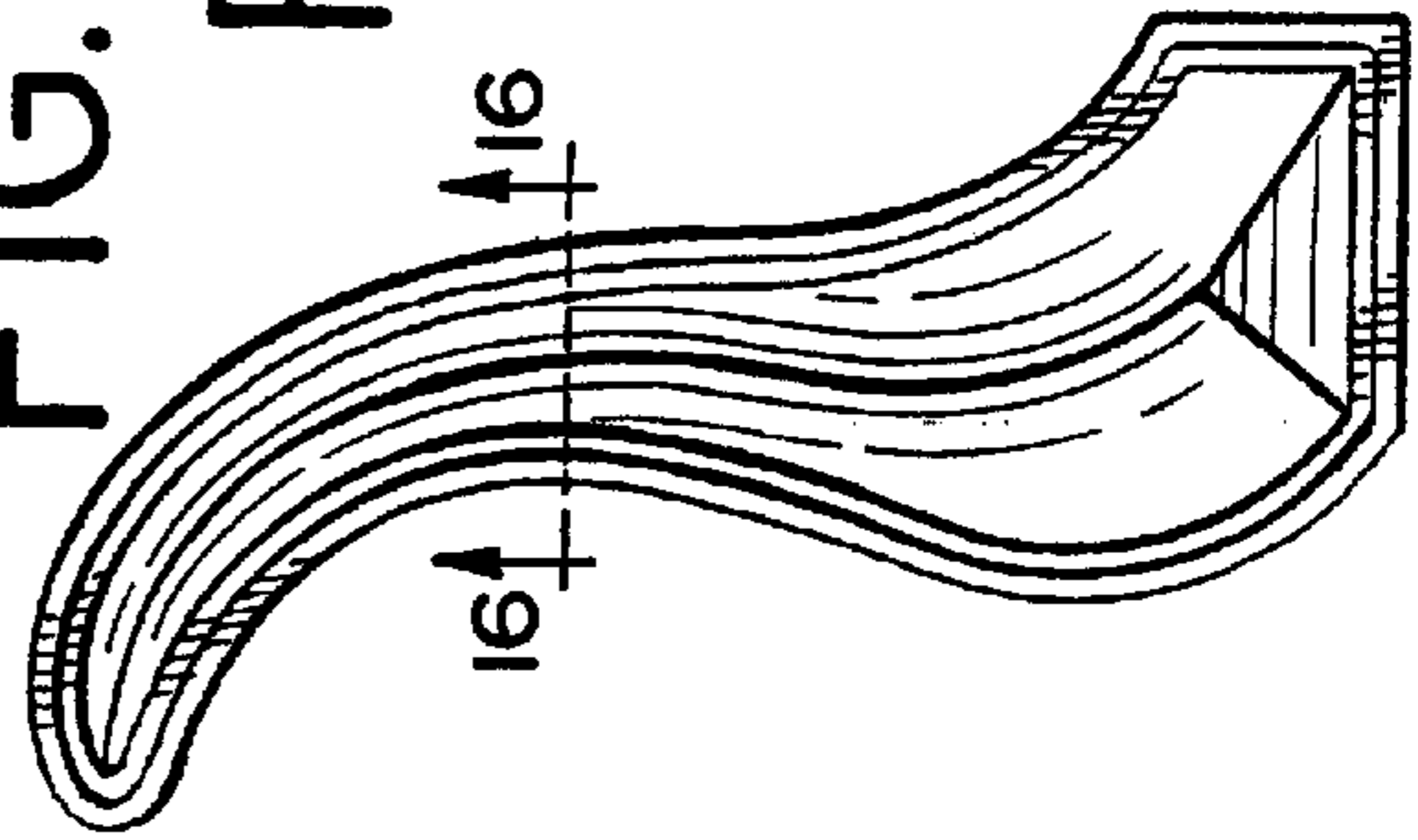


FIG. 16

FIG. 13

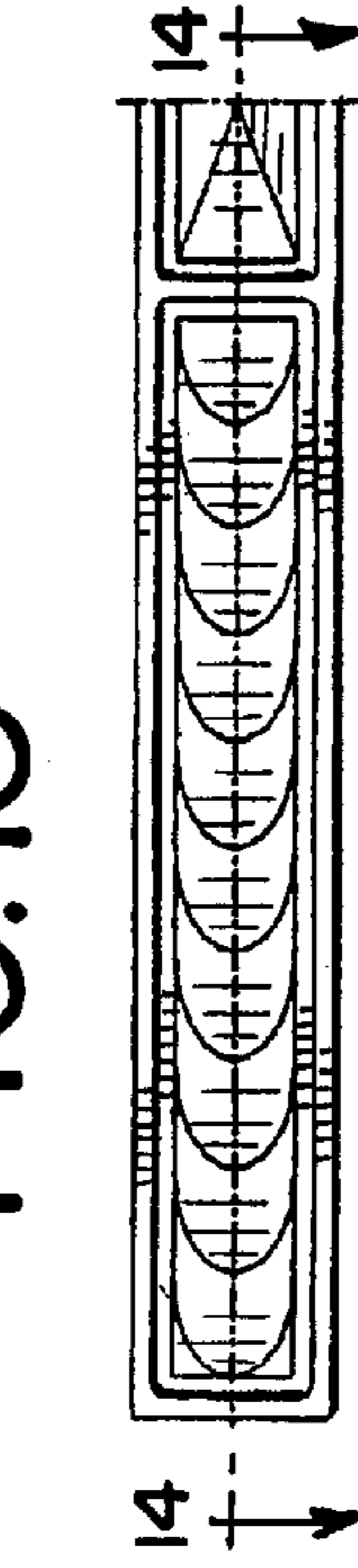


FIG. 14



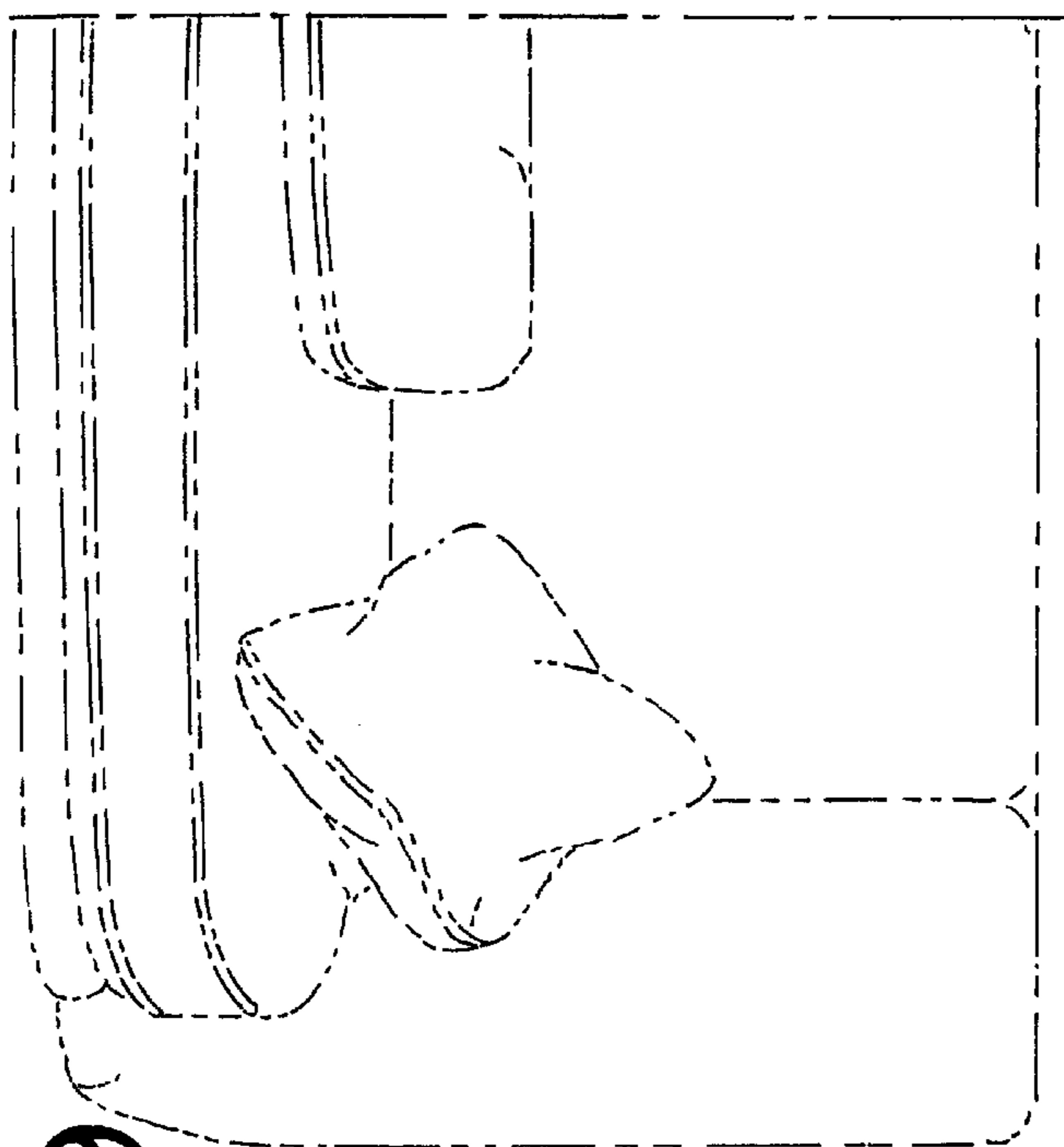


FIG. 17

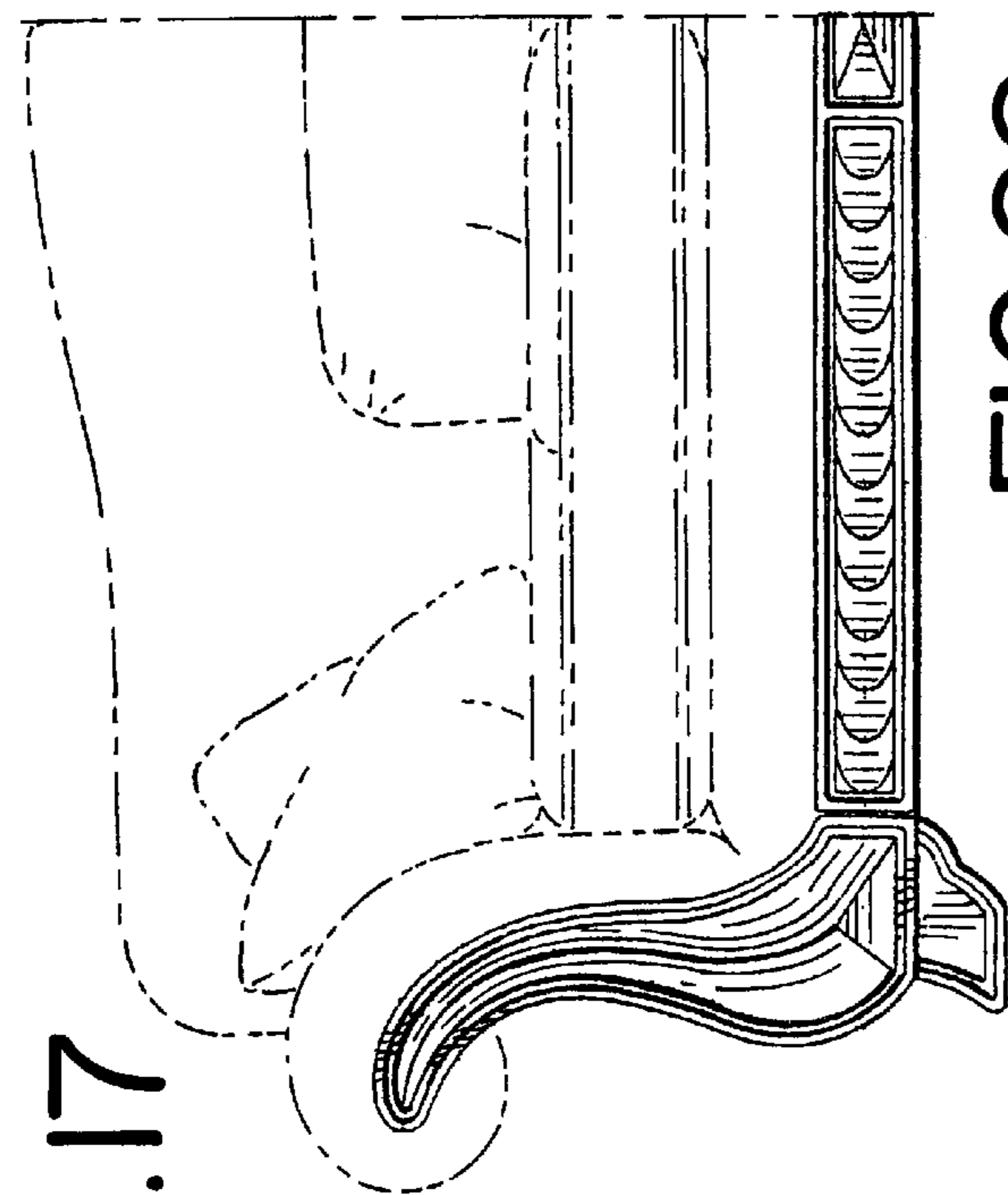


FIG. 18

FIG. 22

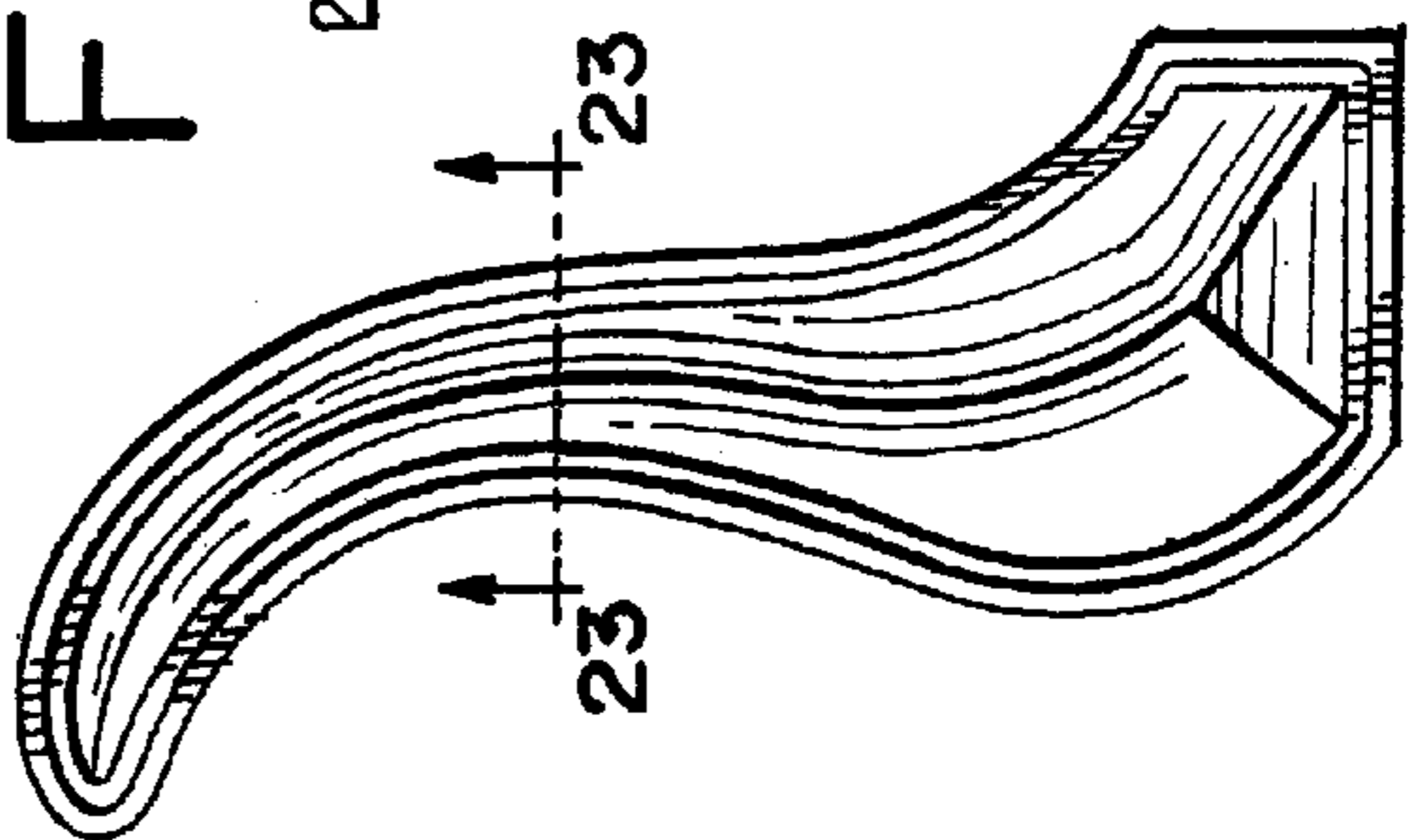


FIG. 23

FIG. 20

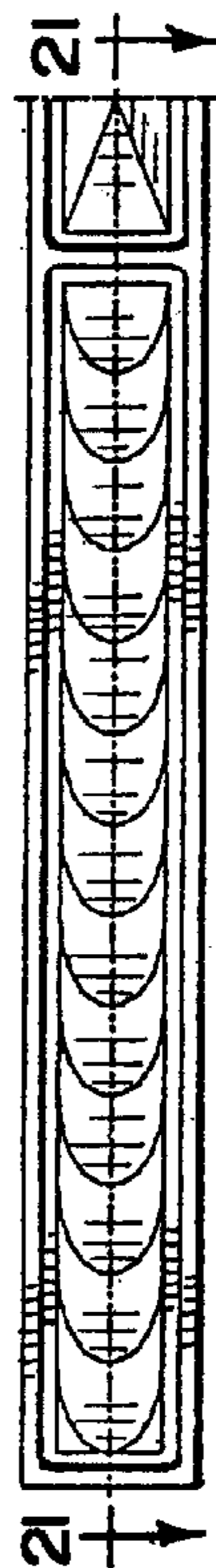


FIG. 21

