



US00D472075S

(12) **United States Design Patent**
de Carolis

(10) **Patent No.:** **US D472,075 S**

(45) **Date of Patent:** **** Mar. 25, 2003**

(54) **SHELVING SYSTEM AND CABLE MANAGEMENT SYSTEM**

(76) **Inventor:** **Phil de Carolis**, 154 Waterside Rd., Northport, NY (US) 11768

(**) **Term:** **14 Years**

(21) **Appl. No.:** **29/160,750**

(22) **Filed:** **May 15, 2002**

(51) **LOC (7) Cl.** **06-04**

(52) **U.S. Cl.** **D6/479**

(58) **Field of Search** D6/630, 436, 449, D6/474, 477, 478, 479, 470, 460, 461, 464, 465; D14/126, 133, 239; 211/41.14, 42, 43, 133.1, 205; 312/7.1, 7.2, 9.1, 111, 249.6, 249.8, 249.13

(56) **References Cited**

U.S. PATENT DOCUMENTS

- 5,129,525 A * 7/1992 Maynard, Jr. 211/205
- 5,216,211 A * 6/1993 Renk, Jr. 312/7.2 X
- D363,626 S * 10/1995 Herbst D6/479
- D371,259 S * 7/1996 Herbst D6/479
- D371,472 S * 7/1996 Herbst D6/480

- D378,175 S * 2/1997 Hamami D6/479
- D402,486 S * 12/1998 Wada et al. D6/479
- D403,539 S * 1/1999 Hamami D6/491
- D405,630 S * 2/1999 Wohlford D6/479
- D441,217 S * 5/2001 Pepin et al. D6/436
- D450,489 S * 11/2001 Wong D6/479
- D454,731 S * 3/2002 Niitsu D6/479
- D457,507 S * 5/2002 Lim et al. D14/126 X
- D459,118 S * 6/2002 Antonioni D6/477

* cited by examiner

Primary Examiner—Cathron C. Brooks

(74) *Attorney, Agent, or Firm*—Harvey Lunenfeld

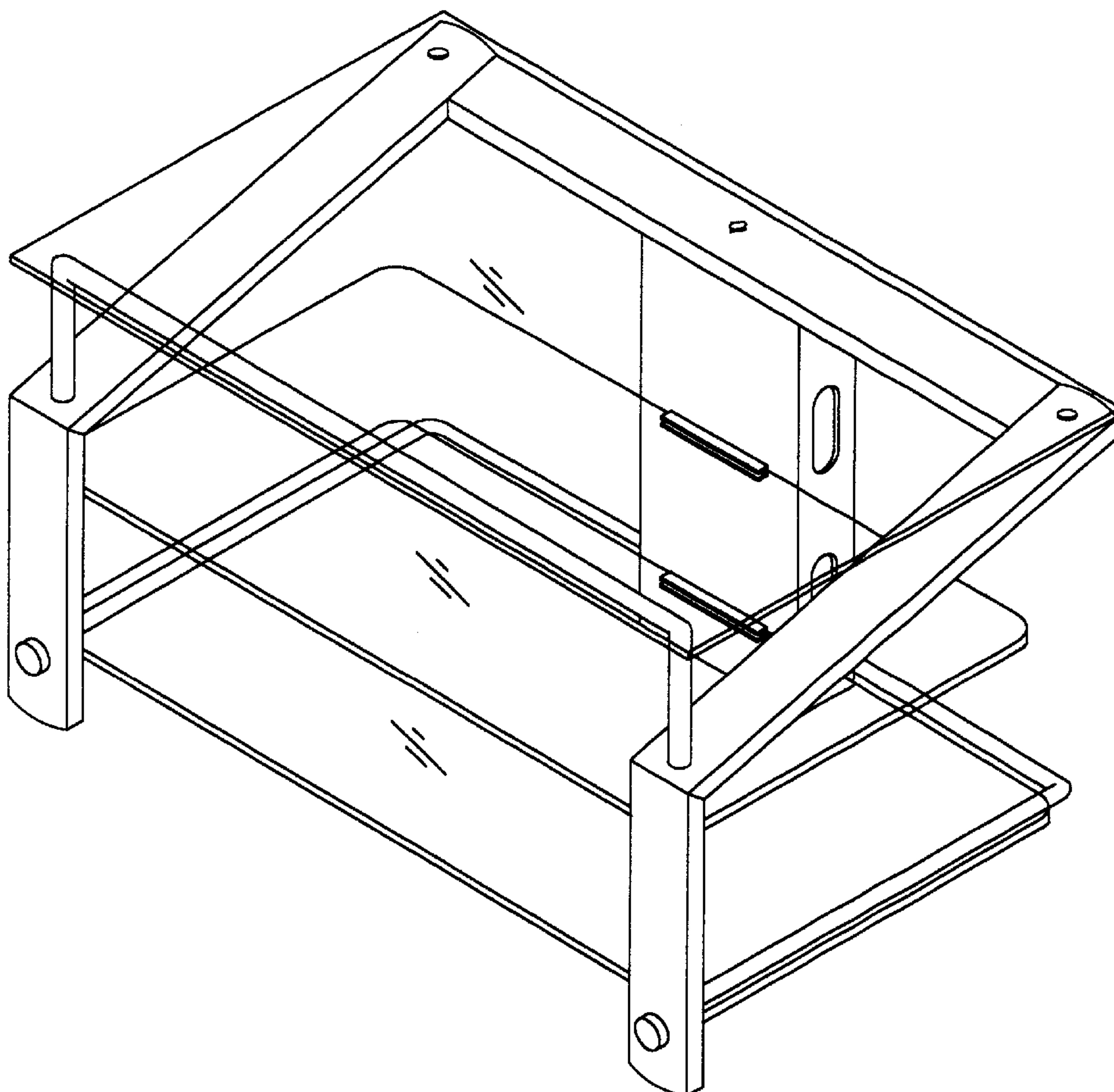
(57) **CLAIM**

The ornamental design for a shelving system and cable management system, as shown and described.

DESCRIPTION

FIG. 1 is a perspective view of a shelving system and cable management system, showing my new design; FIG. 2 is a front elevation view thereof; FIG. 3 is a left side elevational view thereof, the right side being a mirror image thereof; and, FIG. 4 is a top plan view thereof.

1 Claim, 2 Drawing Sheets



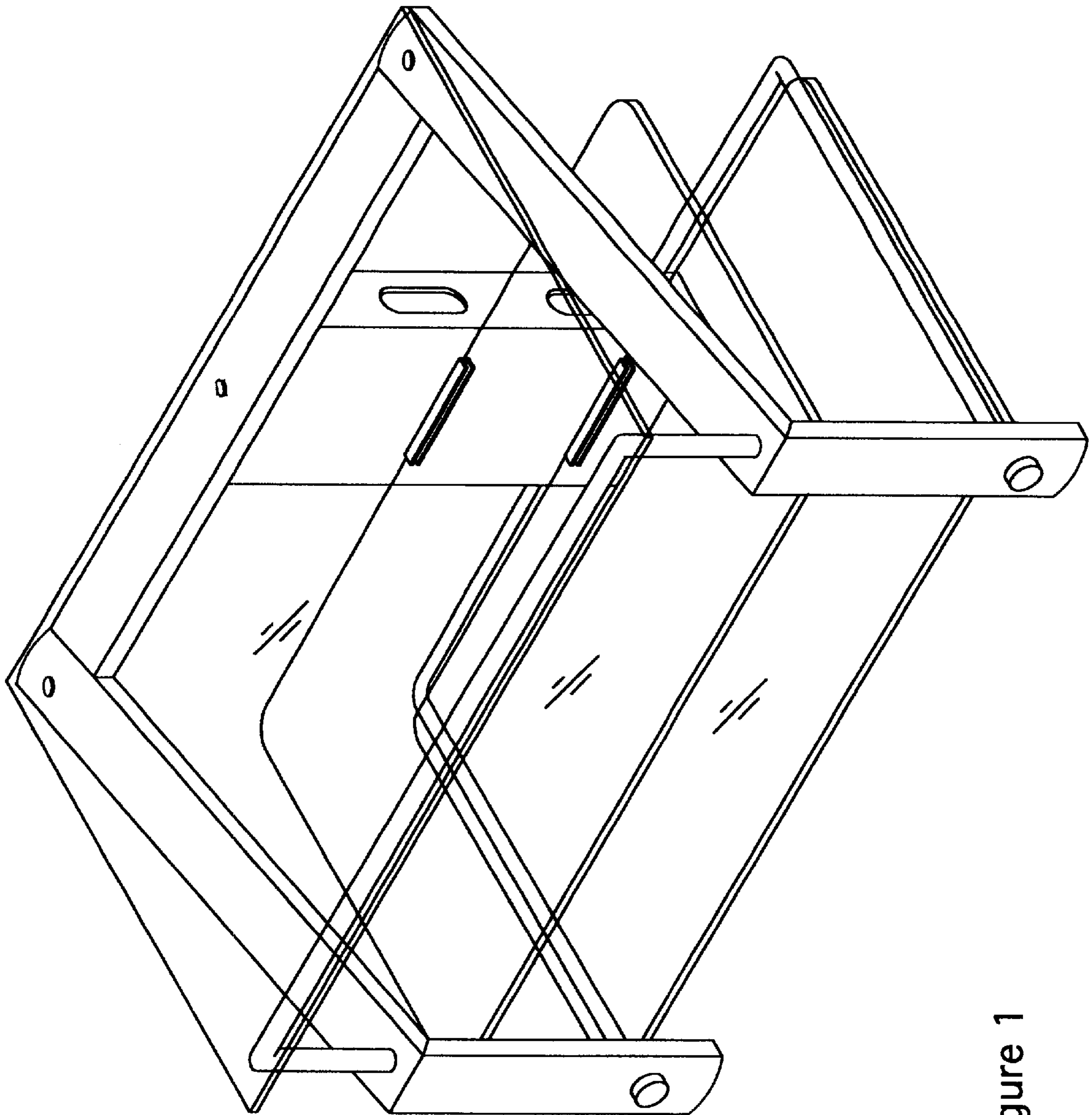


Figure 1

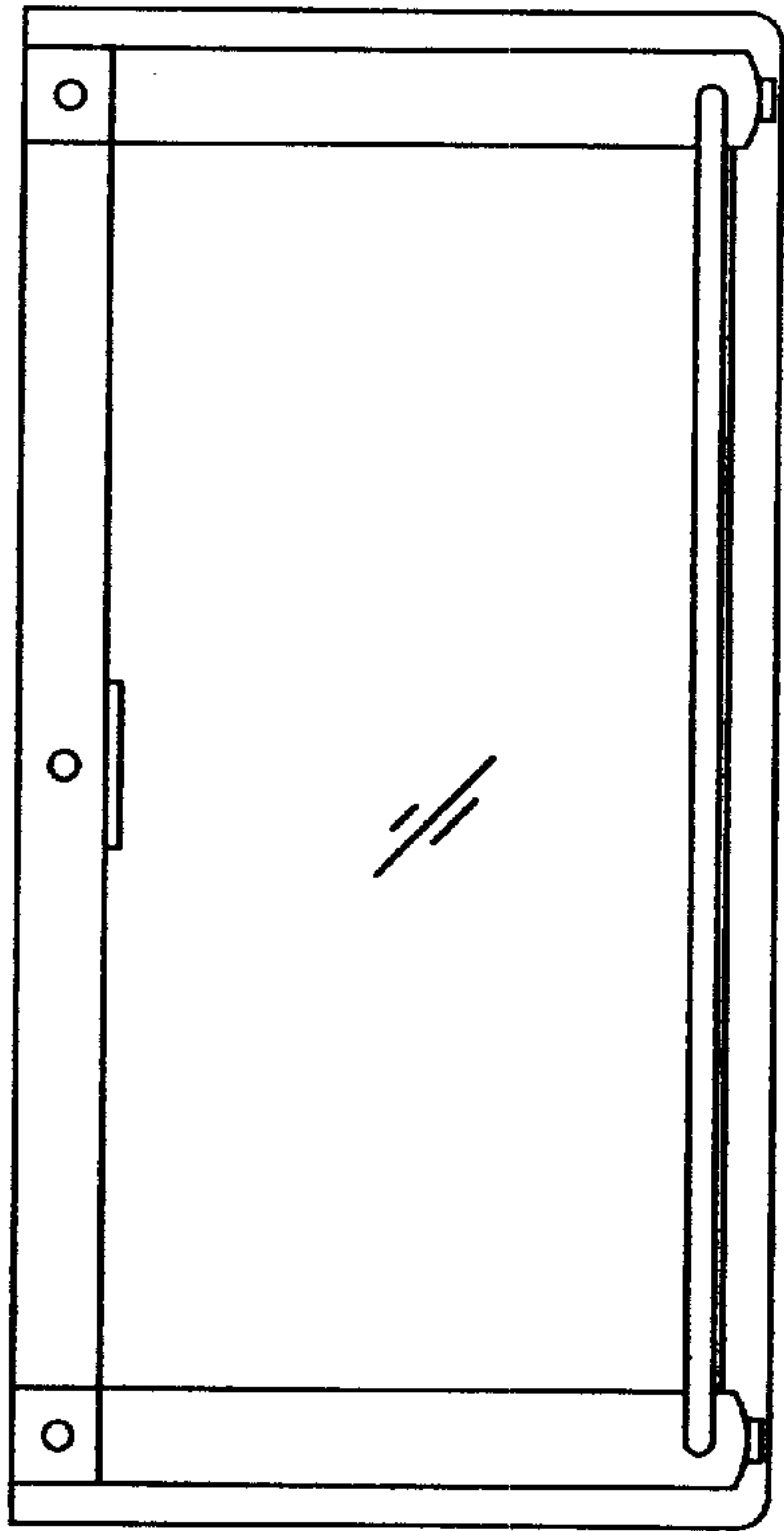


Figure 4

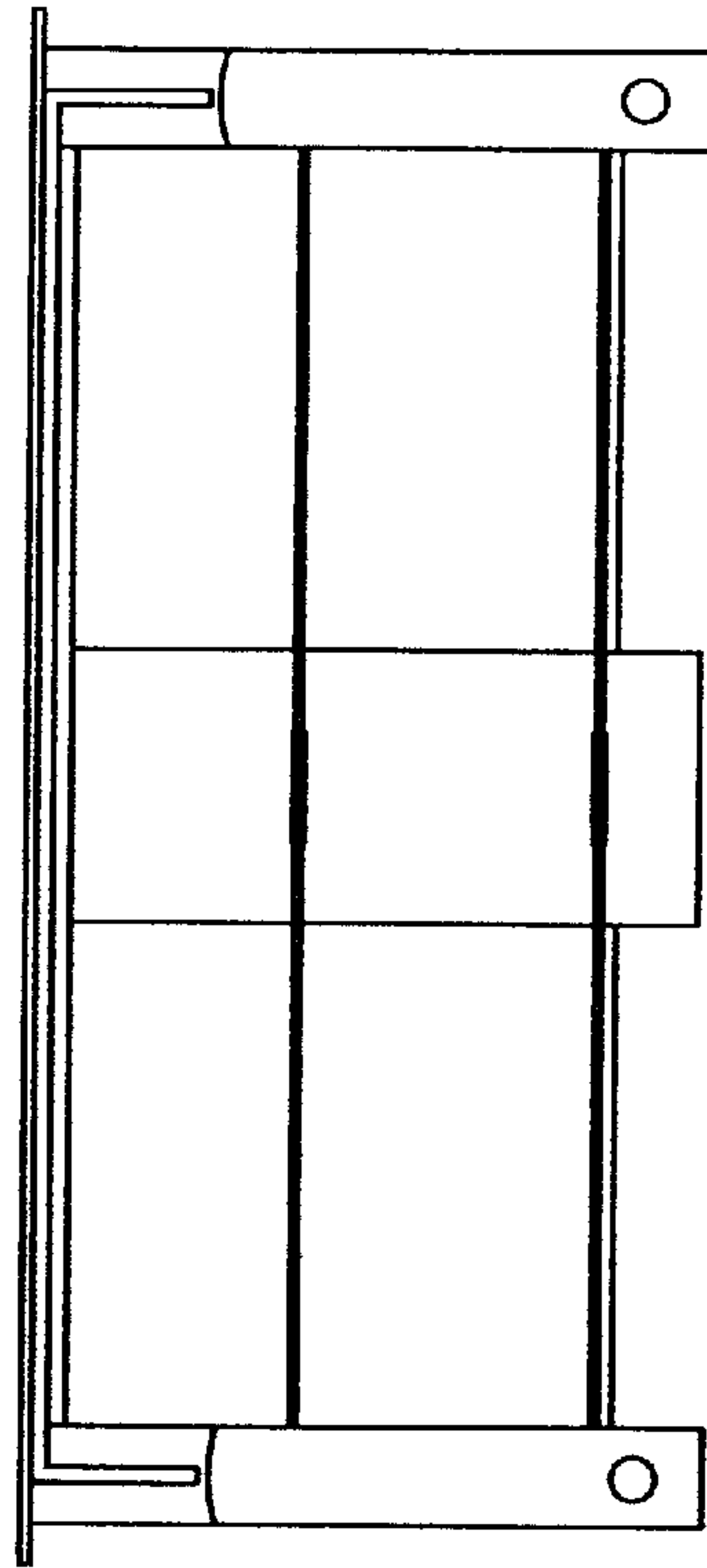


Figure 2

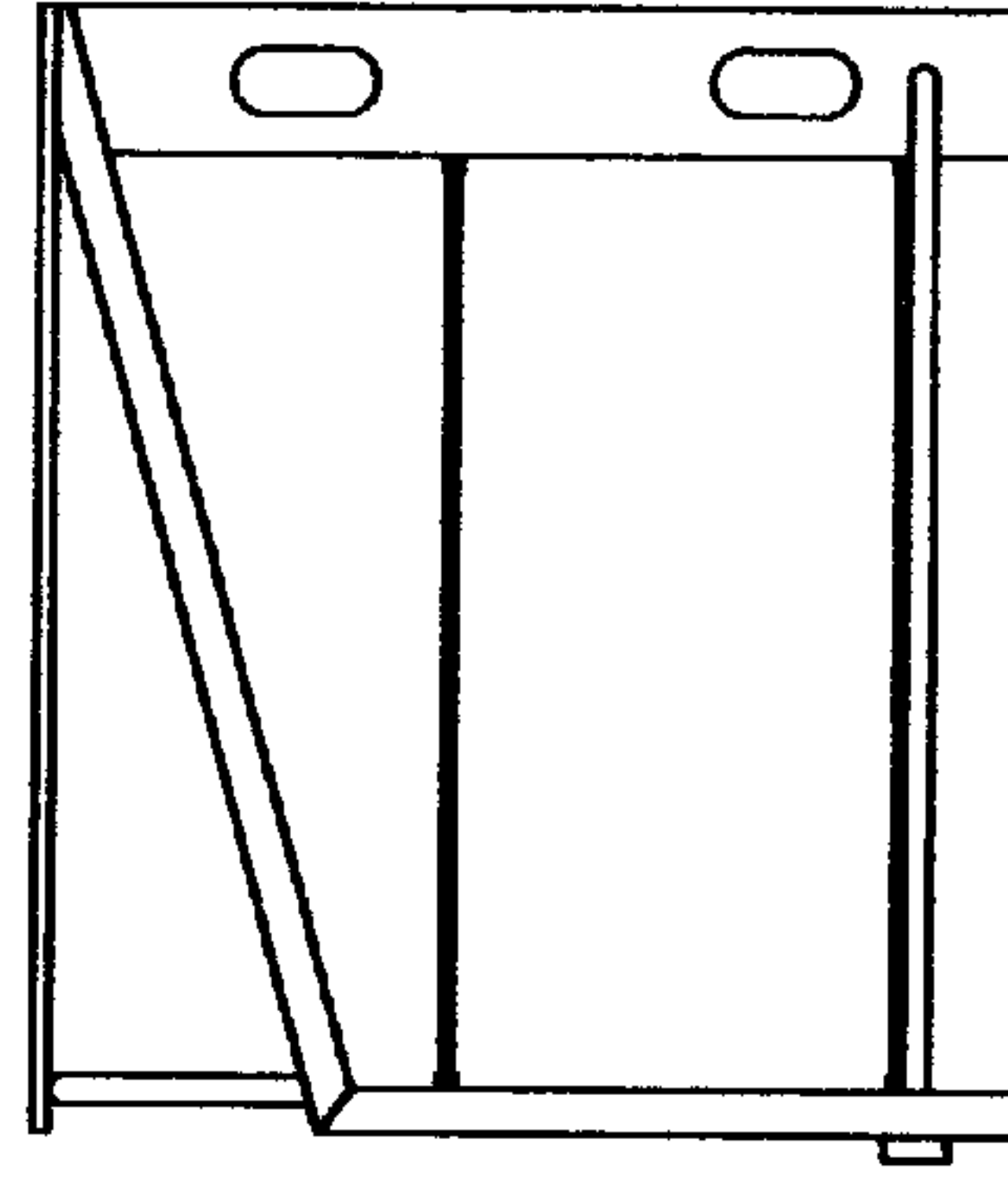


Figure 3