



US00D472070S

(12) **United States Design Patent**  
**de Carolis**

(10) **Patent No.:** **US D472,070 S**

(45) **Date of Patent:** **\*\* Mar. 25, 2003**

(54) **ENTERTAINMENT CABINET**

(74) *Attorney, Agent, or Firm*—Harvey Lunenfeld

(76) **Inventor:** **Phil de Carolis**, 154 Waterside Rd.,  
Northport, NY (US) 11768

(57) **CLAIM**

(\*\*) **Term:** **14 Years**

The ornamental design for an entertainment cabinet, as shown and described.

(21) **Appl. No.:** **29/160,745**

**DESCRIPTION**

(22) **Filed:** **May 15, 2002**

FIG. 1 is a perspective view of an entertainment cabinet, showing my new design, with doors closed;

(51) **LOC (7) Cl.** ..... **06-04**

FIG. 2 is a perspective view thereof, with the doors open;

(52) **U.S. Cl.** ..... **D6/441**

FIG. 3 is a front elevation view thereof, with the doors closed;

(58) **Field of Search** ..... D6/432–448, 470;  
312/204, 224, 237, 278, 279

FIG. 4 is a front elevation view thereof, with the doors open;

(56) **References Cited**

FIG. 5 is a right side elevational view thereof, with the doors closed, the left side being a mirror image thereof, with the doors closed;

**U.S. PATENT DOCUMENTS**

D229,262 S	*	11/1973	Pearson	.....	D6/439 X
D354,638 S	*	1/1995	Todd et al.	.....	D6/433
D435,741 S	*	1/2001	Schlereth	.....	D6/446
D451,699 S	*	12/2001	Wistehuff, Sr.	.....	D6/441
D457,350 S	*	5/2002	Jeup	.....	D6/441
D460,877 S	*	7/2002	Waisbrod et al.	.....	D6/441

FIG. 6 is a right side elevational view thereof, with the doors open, the left side being a mirror image thereof, with the doors open;

**OTHER PUBLICATIONS**

Smithsonian Catalog, Mandalay Chest, p. 7, Jun. 2002.\*

FIG. 7 is a top plan view thereof, with the doors closed;

\* cited by examiner

FIG. 8 is a top plan view thereof, with the doors open;

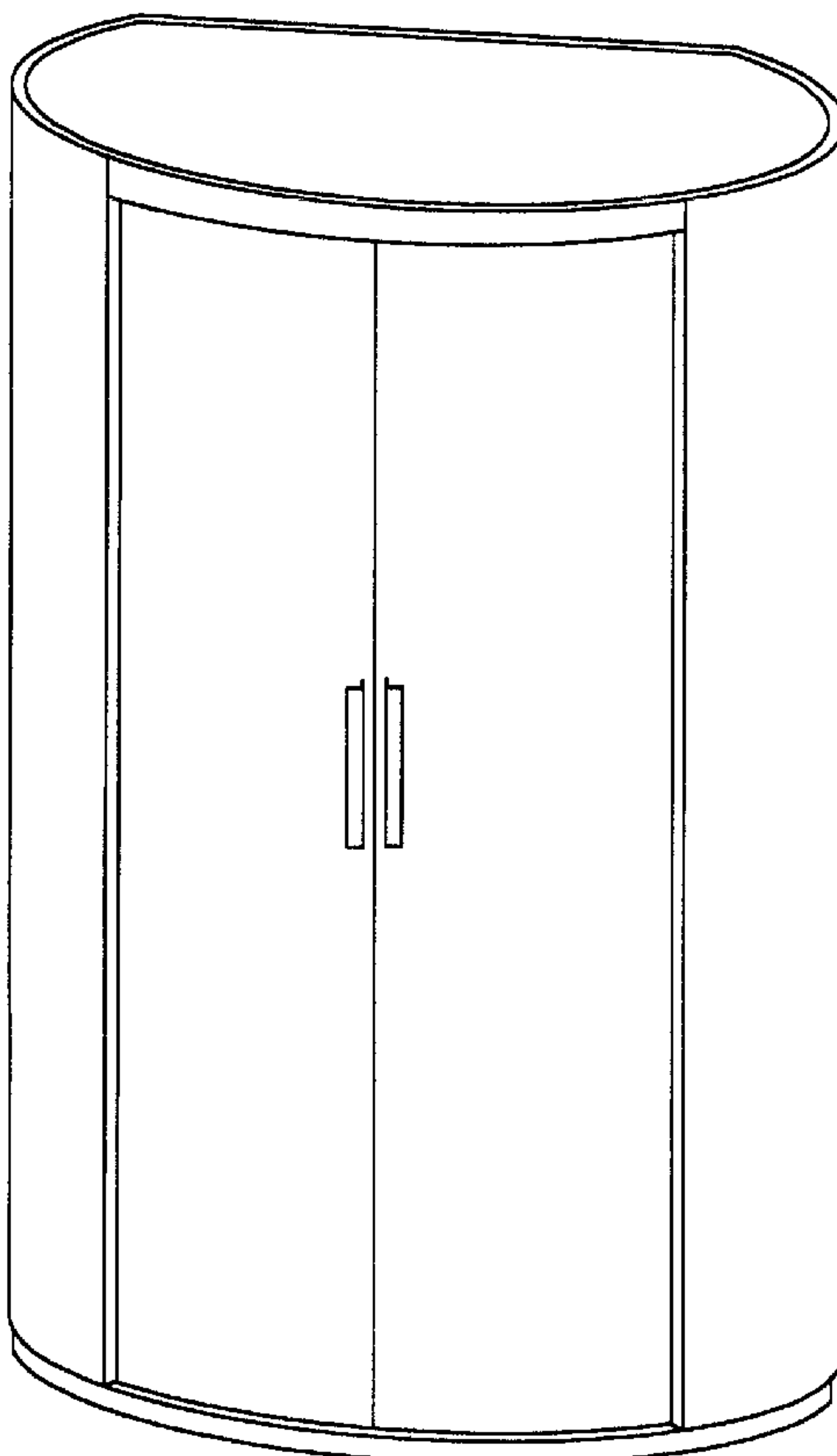
FIG. 9 is a bottom view thereof, with the doors closed;

FIG. 10 is a bottom view thereof, with the doors open; and,

FIG. 11 is a rear view thereof.

*Primary Examiner*—Cathron C. Brooks

**1 Claim, 5 Drawing Sheets**



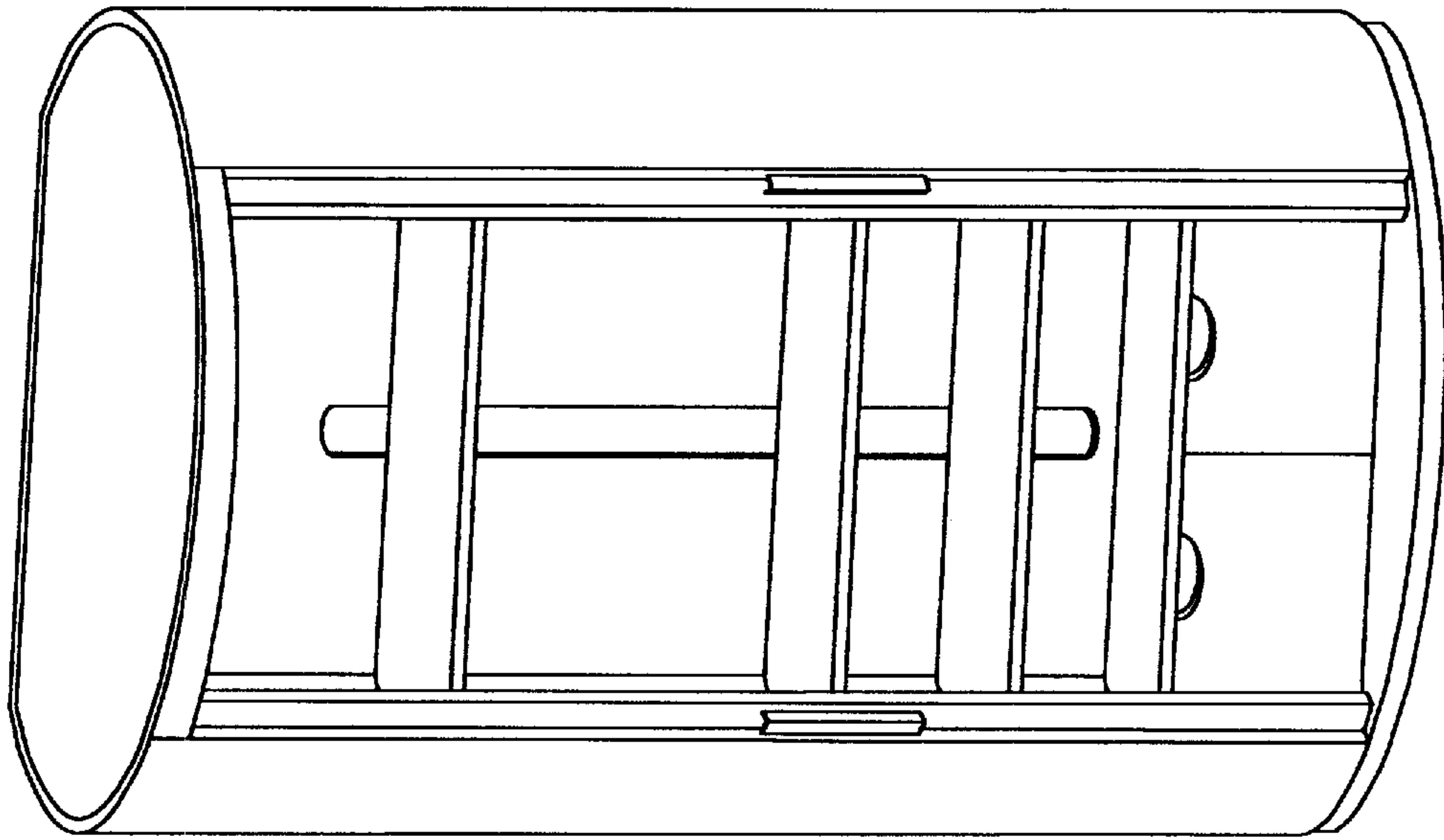


Figure 2

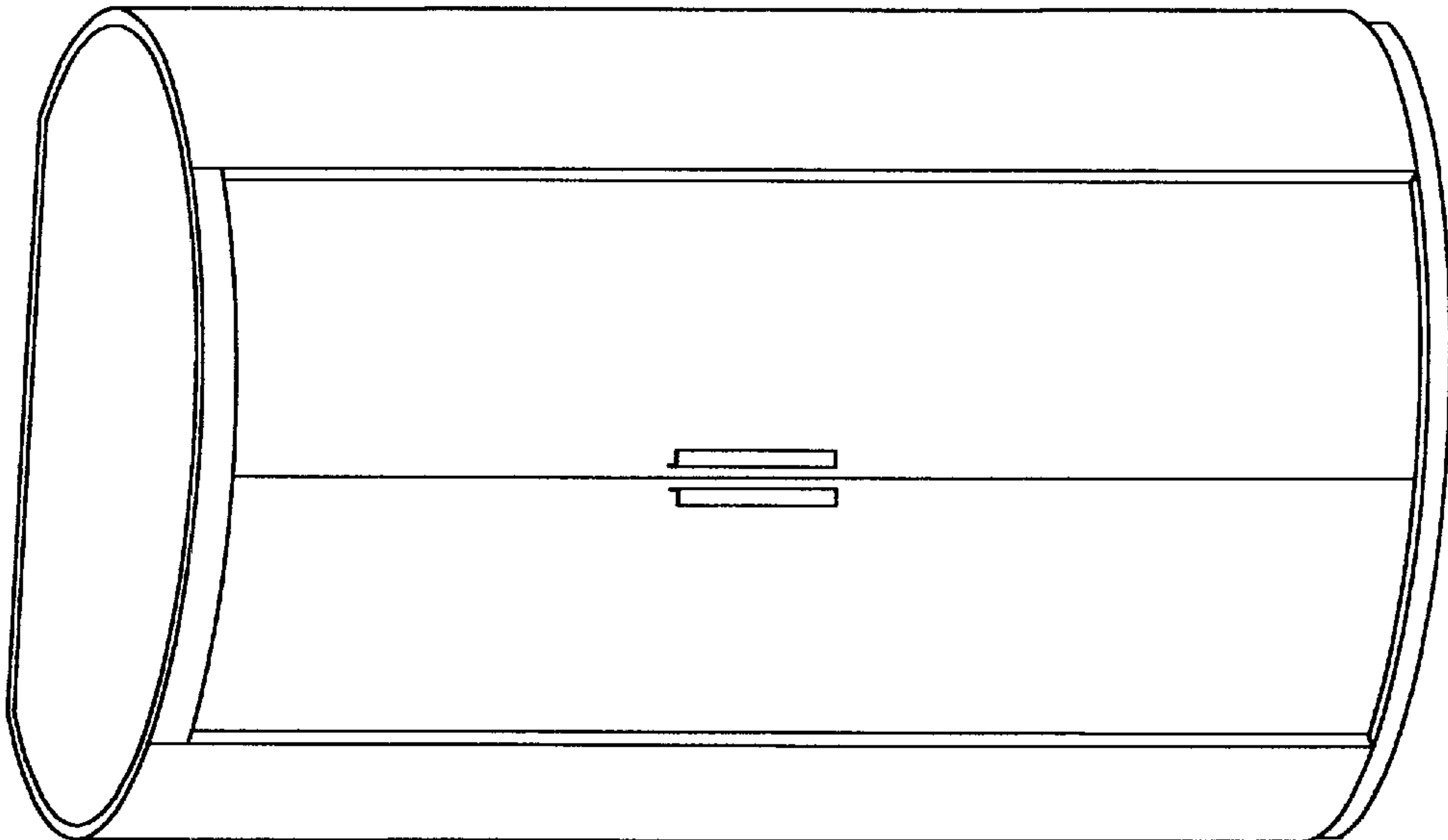


Figure 1

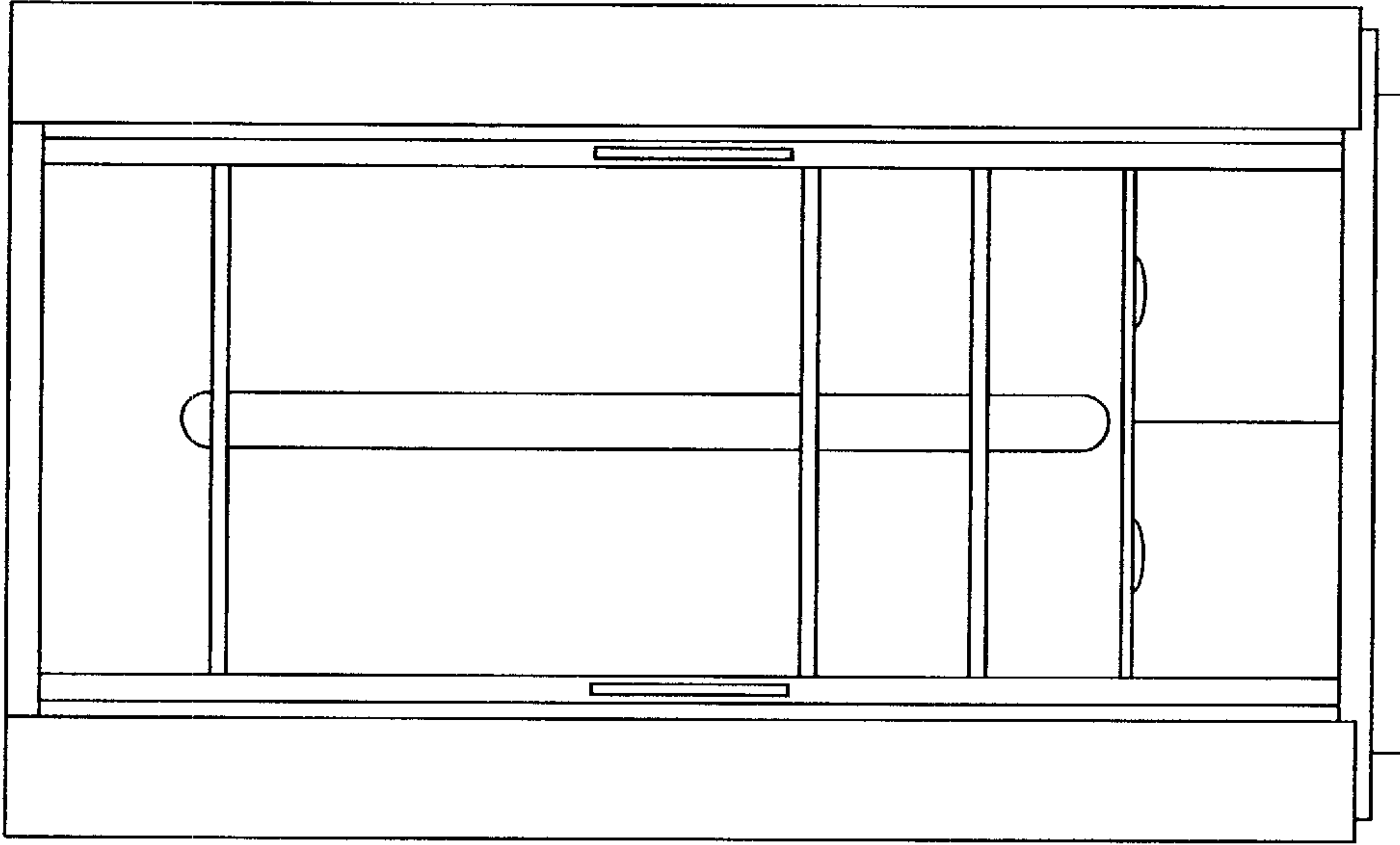


Figure 4

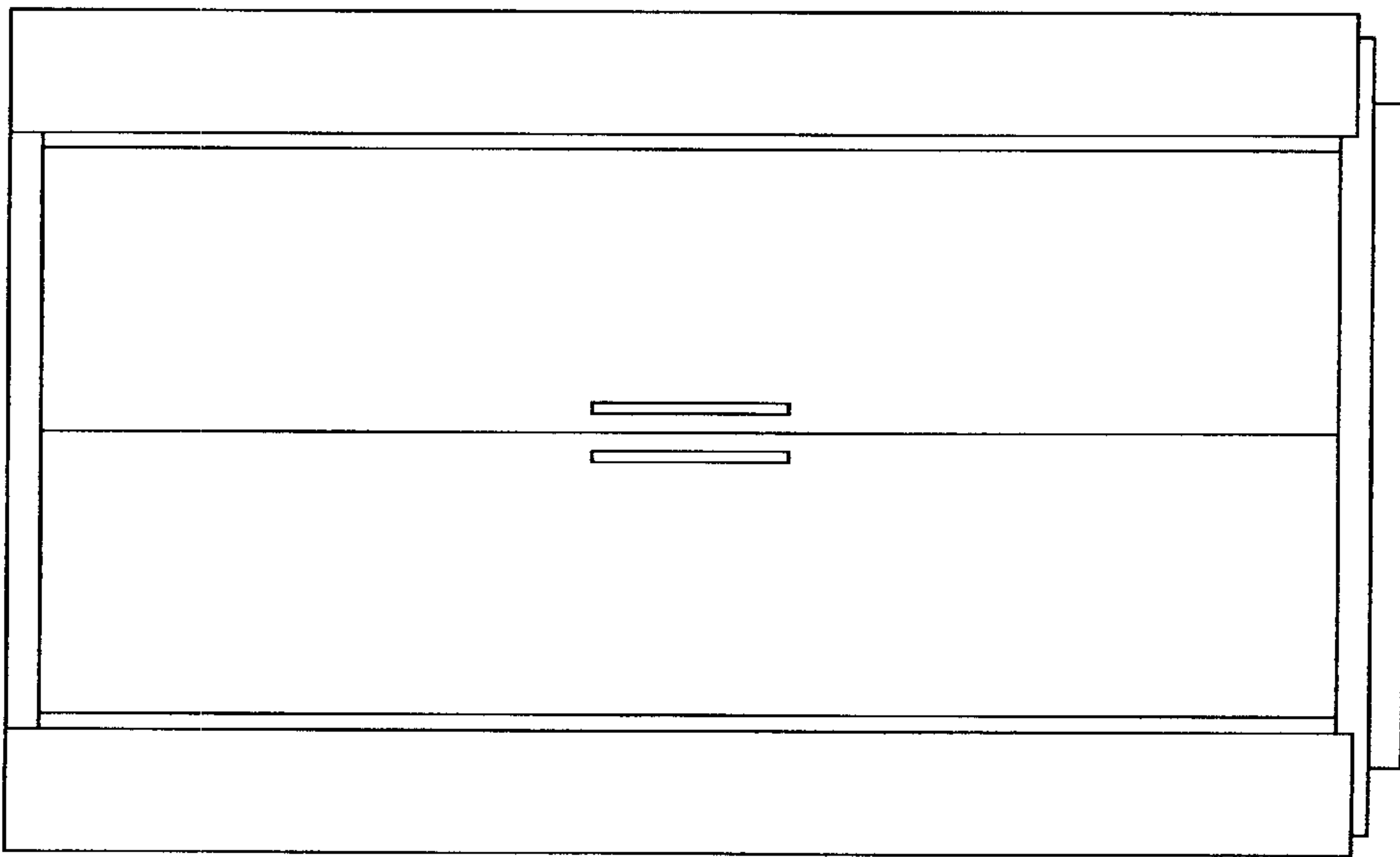


Figure 3

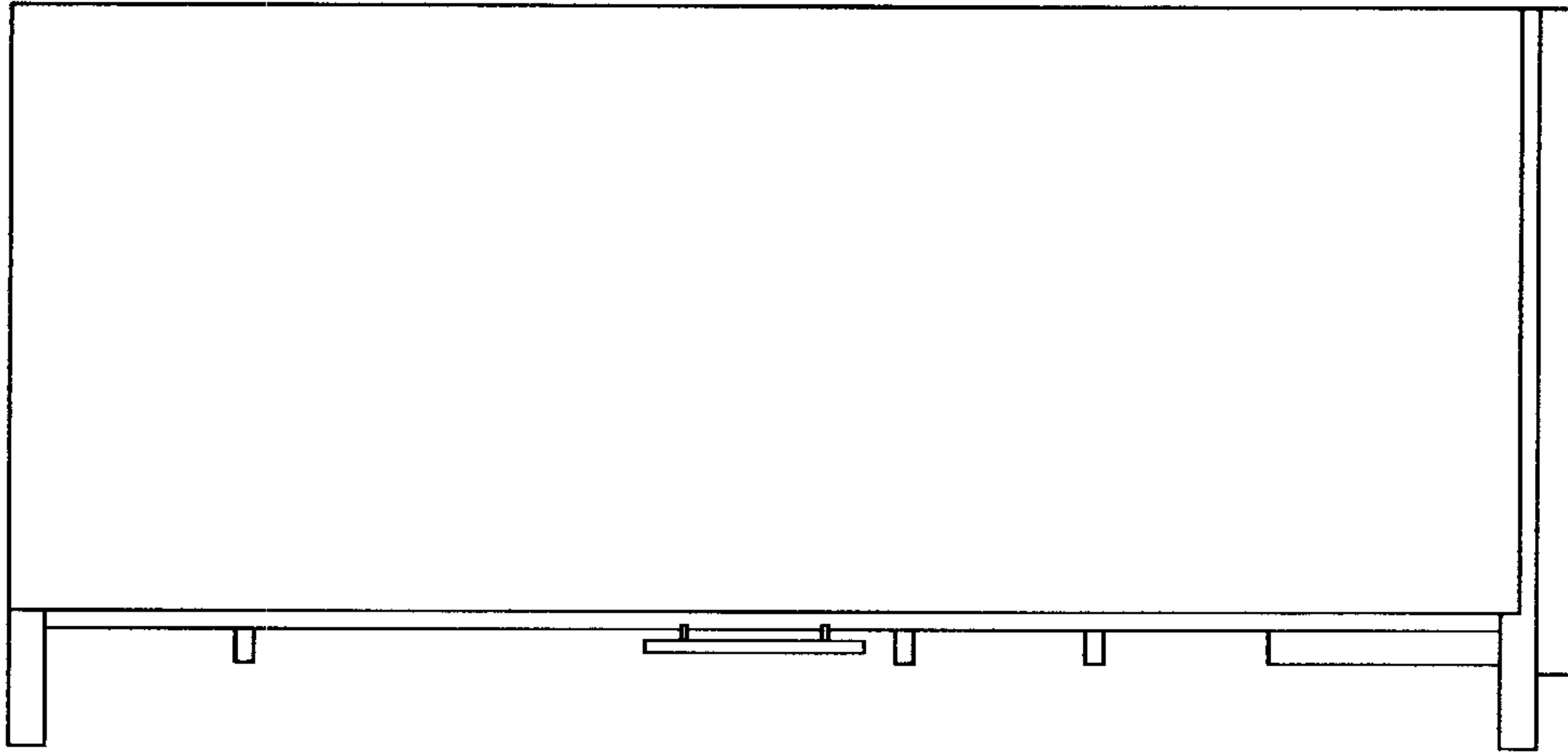


Figure 6

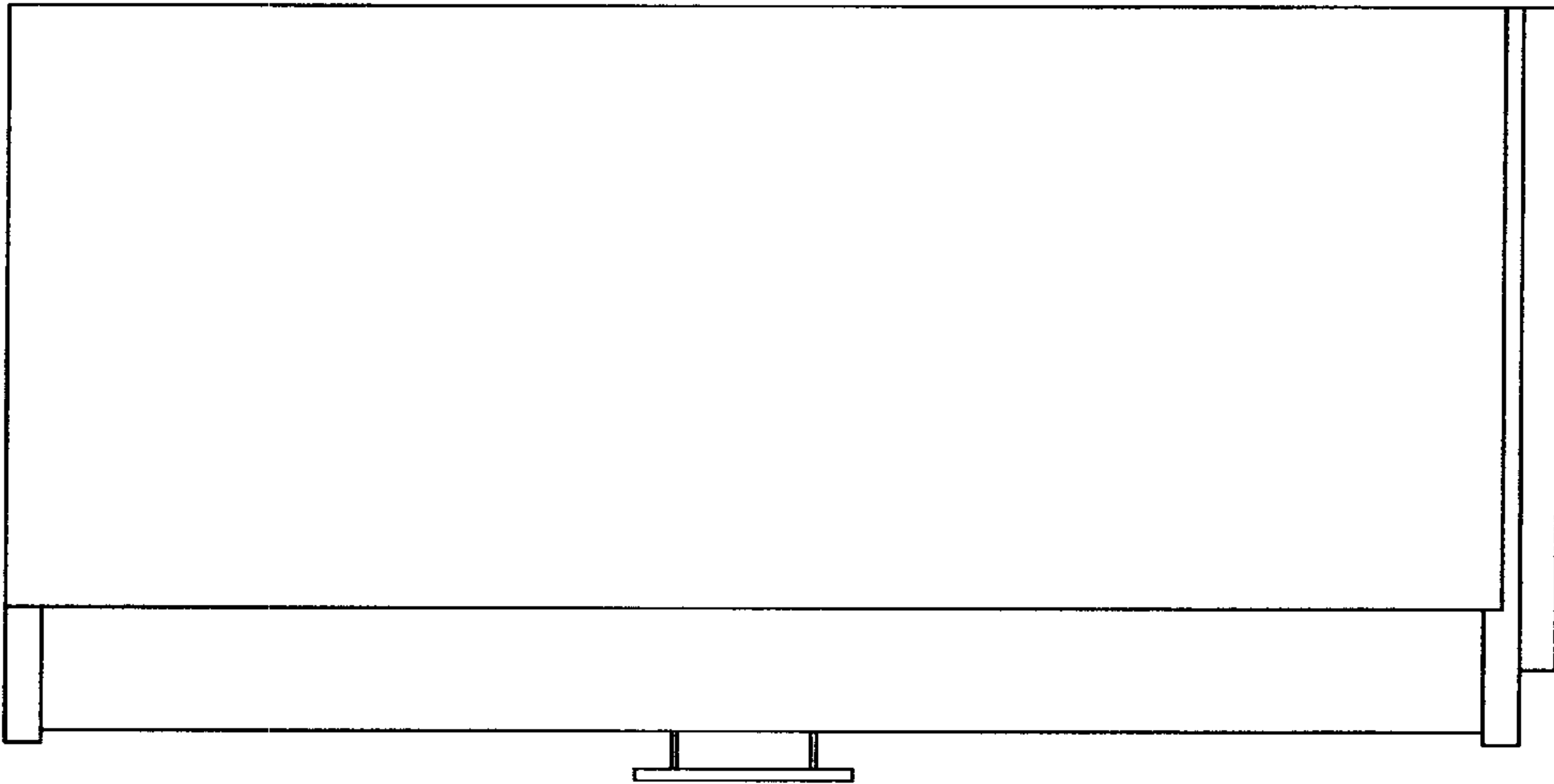


Figure 5

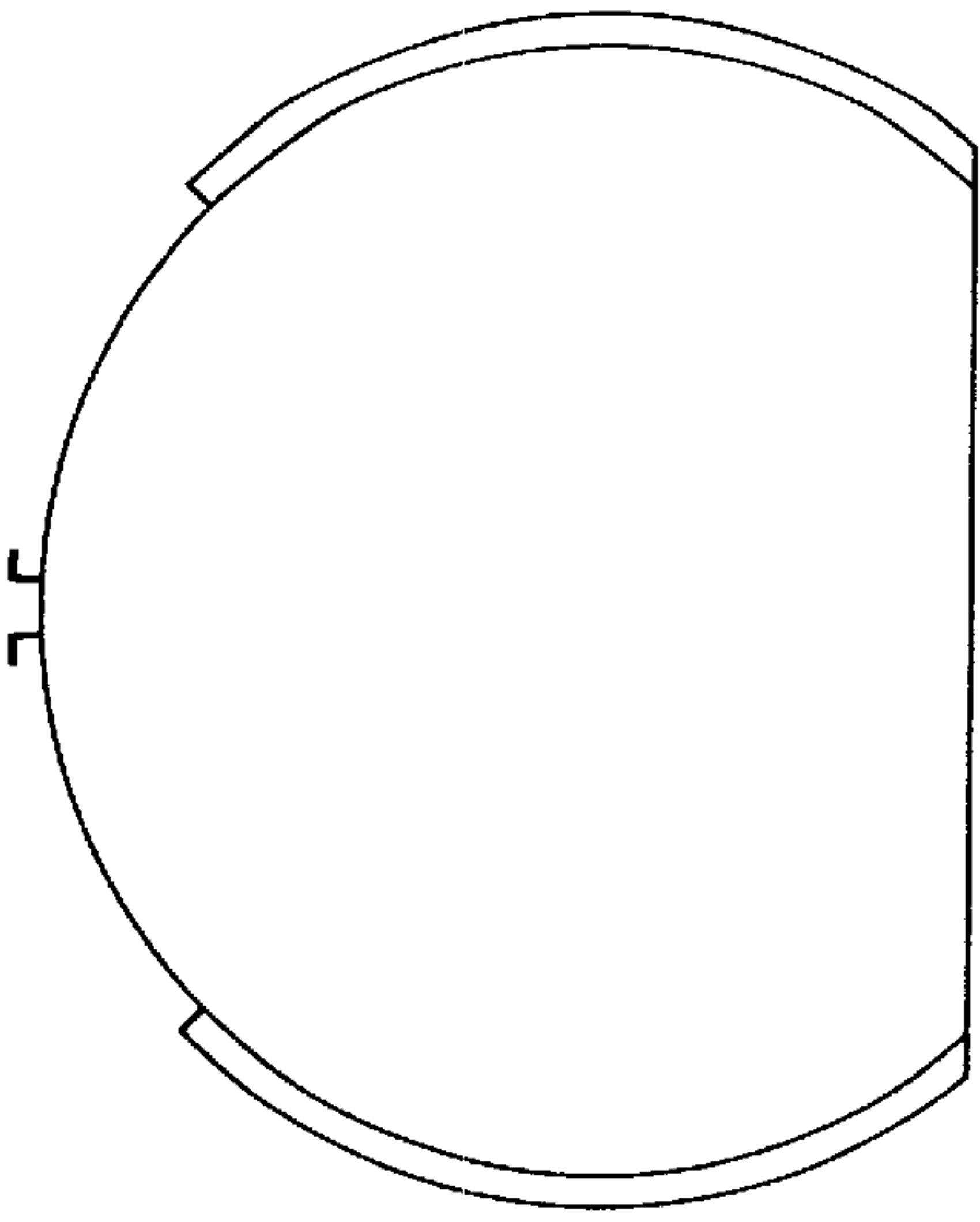


Figure 7

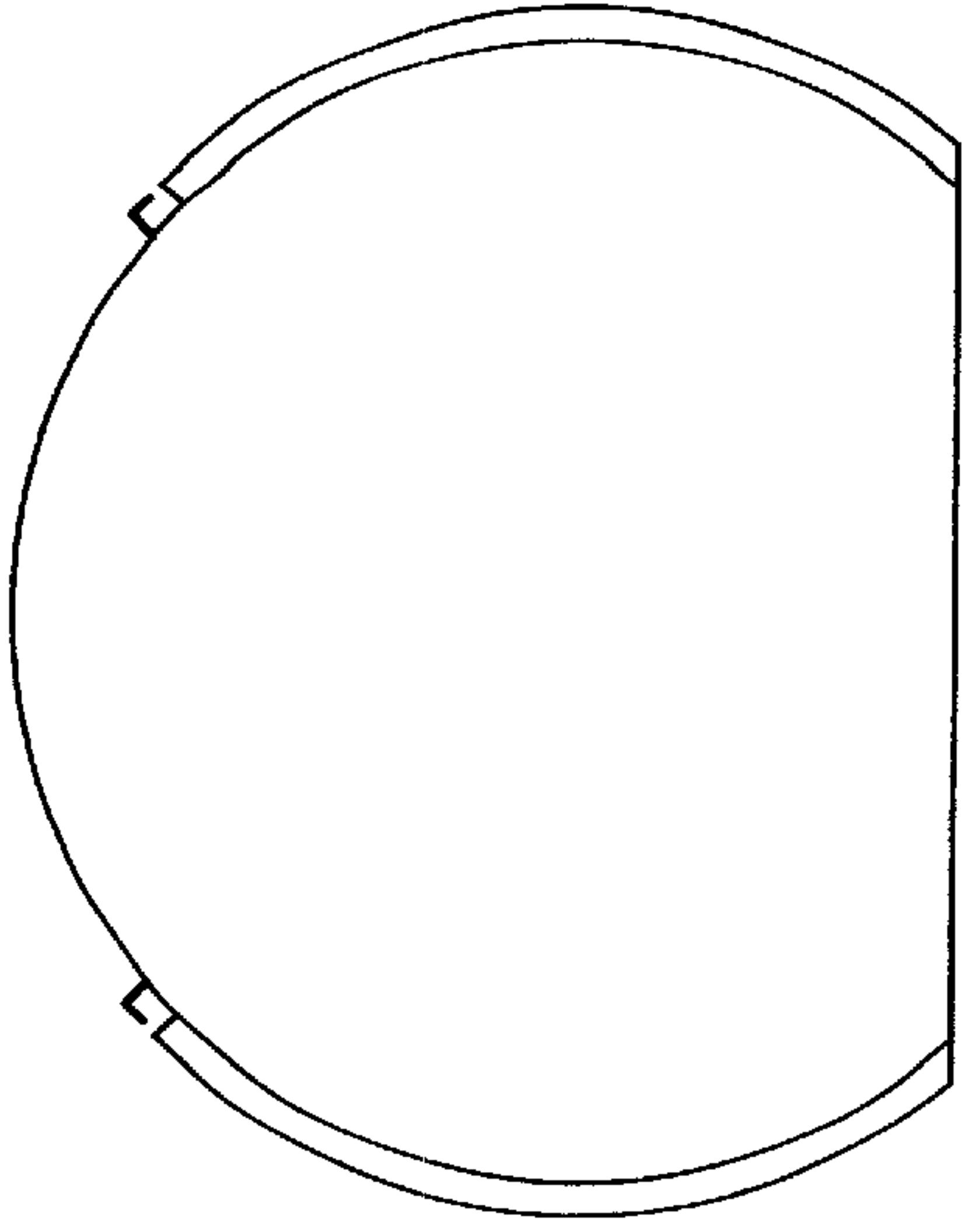


Figure 8

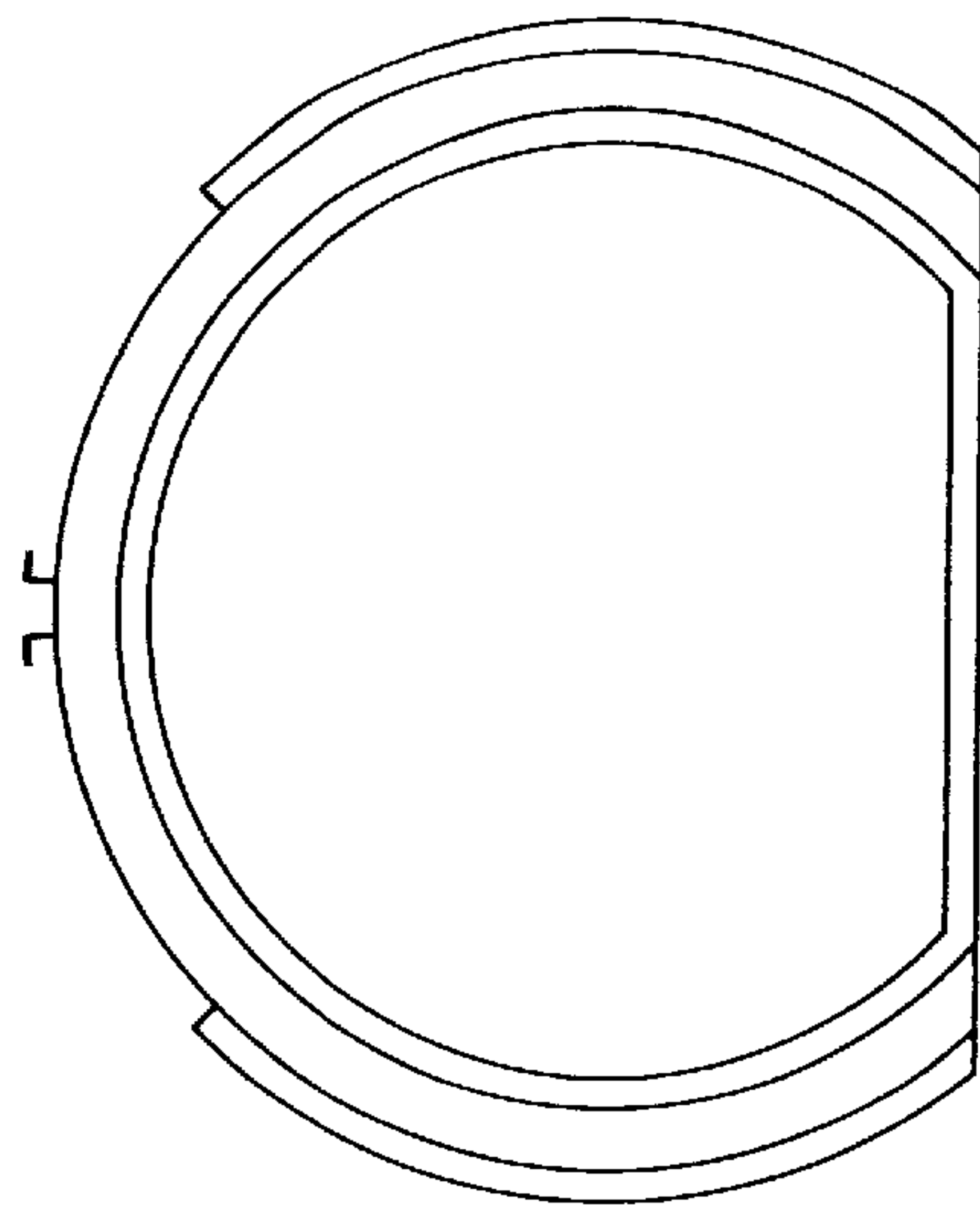


Figure 9

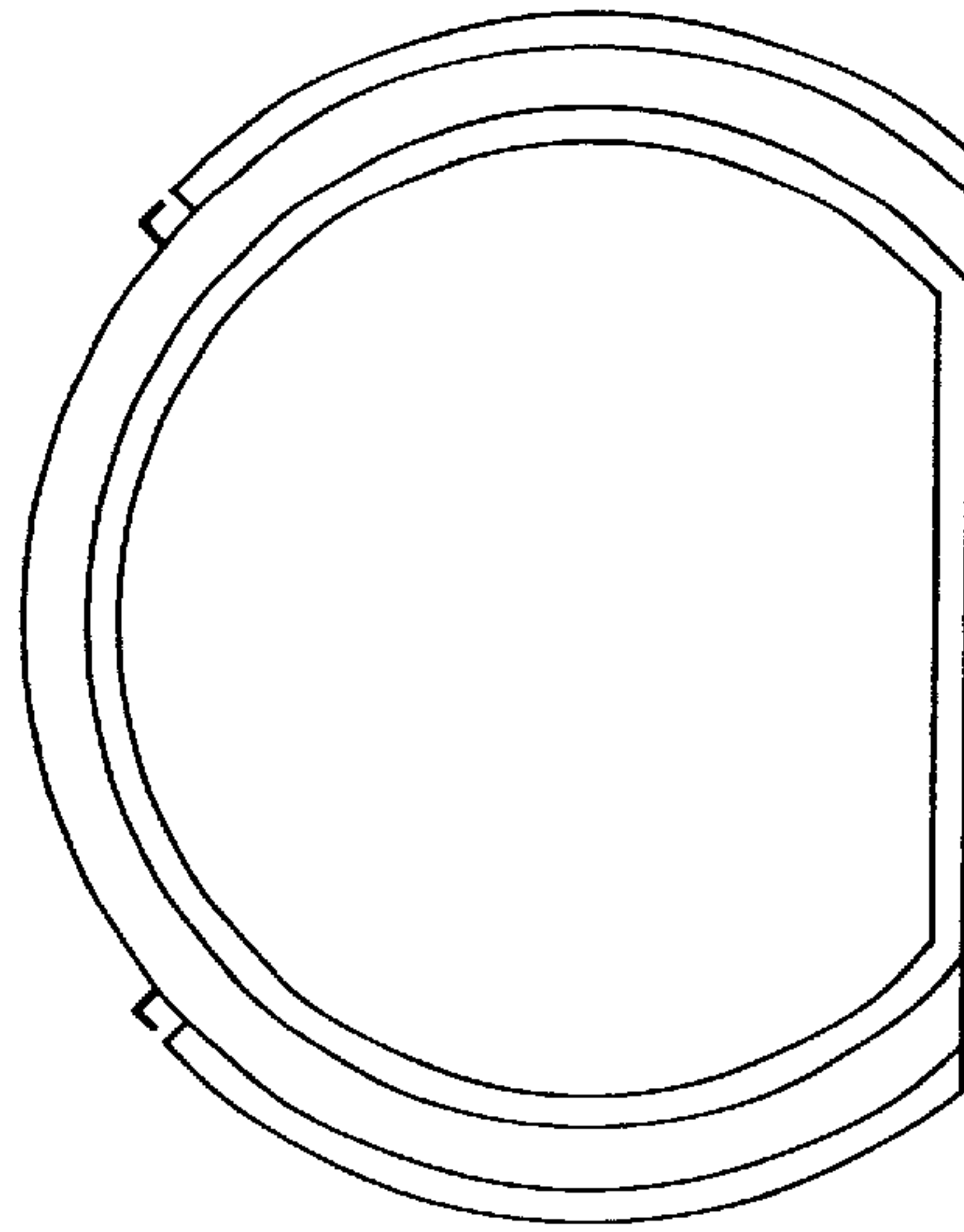


Figure 10

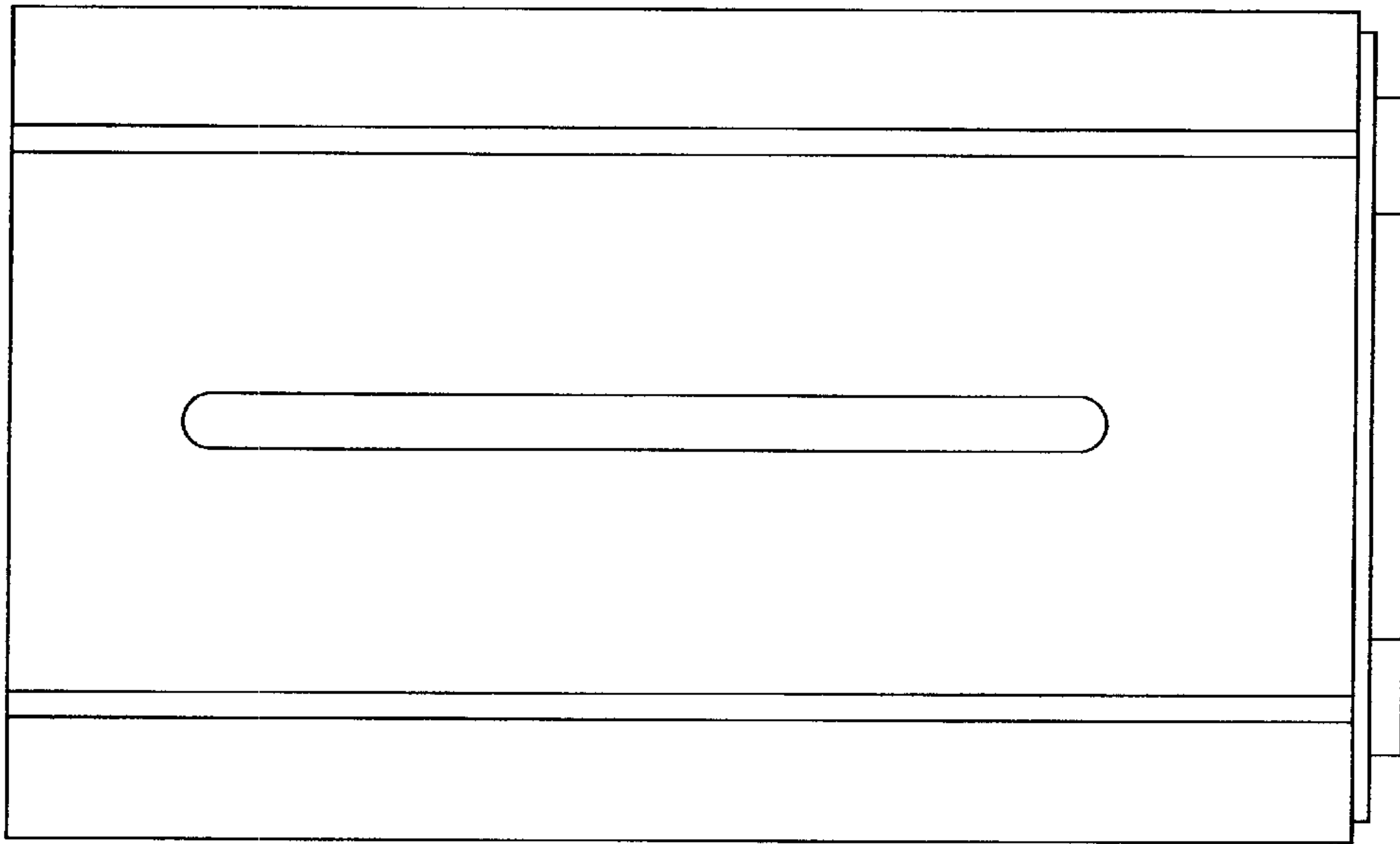


Figure 11