



US00D472069S

(12) **United States Design Patent**  
**Sedor et al.**

(10) **Patent No.:** **US D472,069 S**

(45) **Date of Patent:** **\*\* Mar. 25, 2003**

(54) **MANICURE TABLE**

D464,500 S \* 10/2002 Roberts ..... D6/422

(76) Inventors: **Chris F. Sedor**, 2132 W. Edgerton Ave., Milwaukee, WI (US) 53221;  
**Santo J. Cannistra**, 332 Judge Road Dr., Saukville, WI (US) 53080

\* cited by examiner

*Primary Examiner*—Janice E. Seeger  
(74) *Attorney, Agent, or Firm*—Donald J. Ersler

(\*\*) Term: **14 Years**

(57) **CLAIM**

The ornamental design for a manicure table, as shown and described.

(21) Appl. No.: **29/165,962**

(22) Filed: **Aug. 19, 2002**

**DESCRIPTION**

(51) **LOC (7) Cl.** ..... **06-04**

(52) **U.S. Cl.** ..... **D6/422**

(58) **Field of Search** ..... D6/421–428, 484,  
D6/485, 482; 312/194–196, 208.1, 208.4;  
108/50.01, 50.02

FIG. 1 is a perspective view of a manicure table incorporating our new design;  
FIG. 2 is a front elevation view thereof;  
FIG. 3 is a rear elevation view thereof;  
FIG. 4 is a top plan view thereof;  
FIG. 5 is a bottom plan view thereof;  
FIG. 6 is a left side elevation view thereof; and,  
FIG. 7 is a right side elevation view thereof.

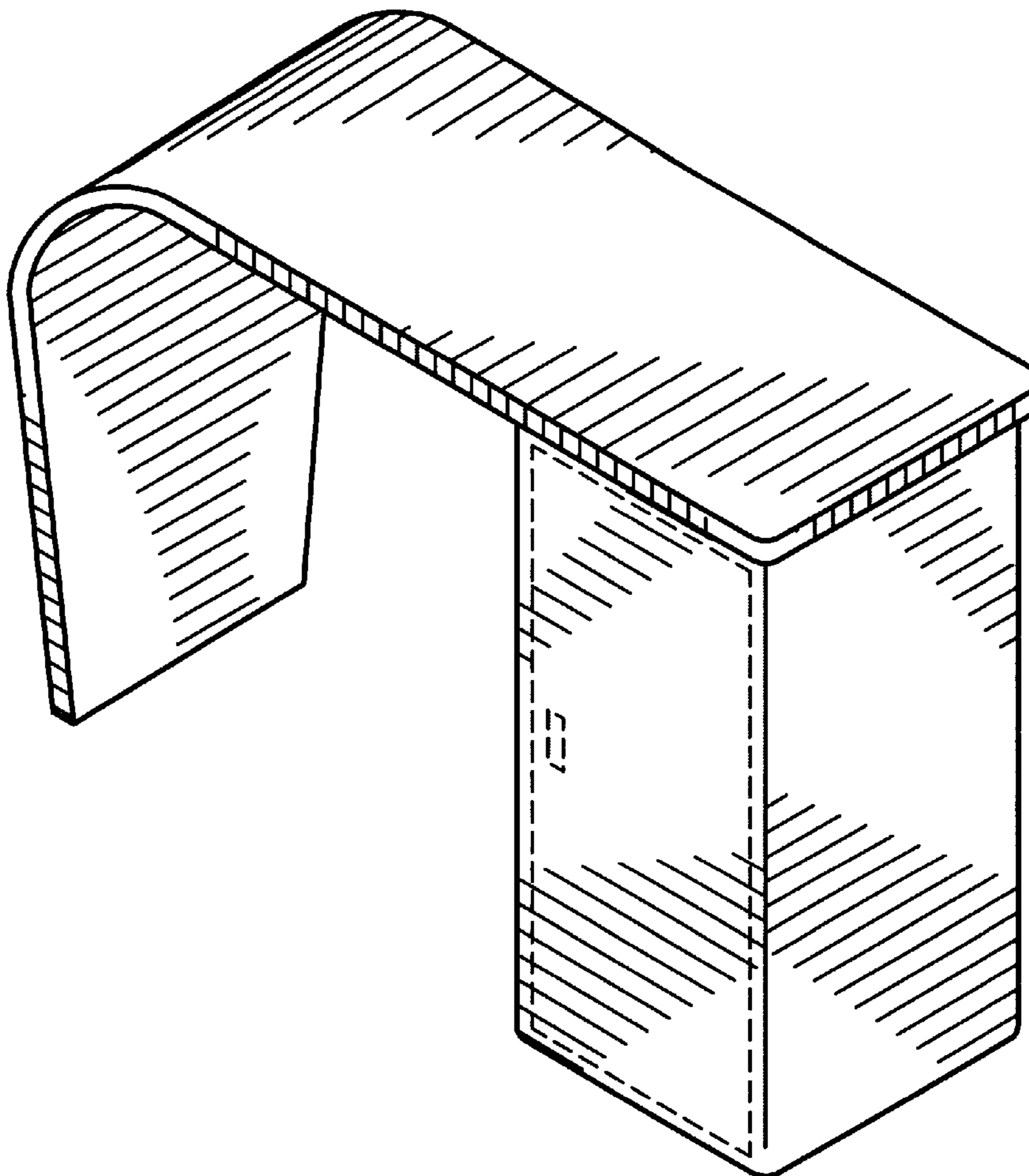
The broken lines are for environmental purposes only and form no part of the claimed design.

(56) **References Cited**

**U.S. PATENT DOCUMENTS**

- D149,417 S \* 4/1948 Jones ..... 312/194 X
- D231,966 S \* 7/1974 Landau ..... D5/422
- D296,052 S \* 6/1988 Barber ..... D6/427

**1 Claim, 3 Drawing Sheets**



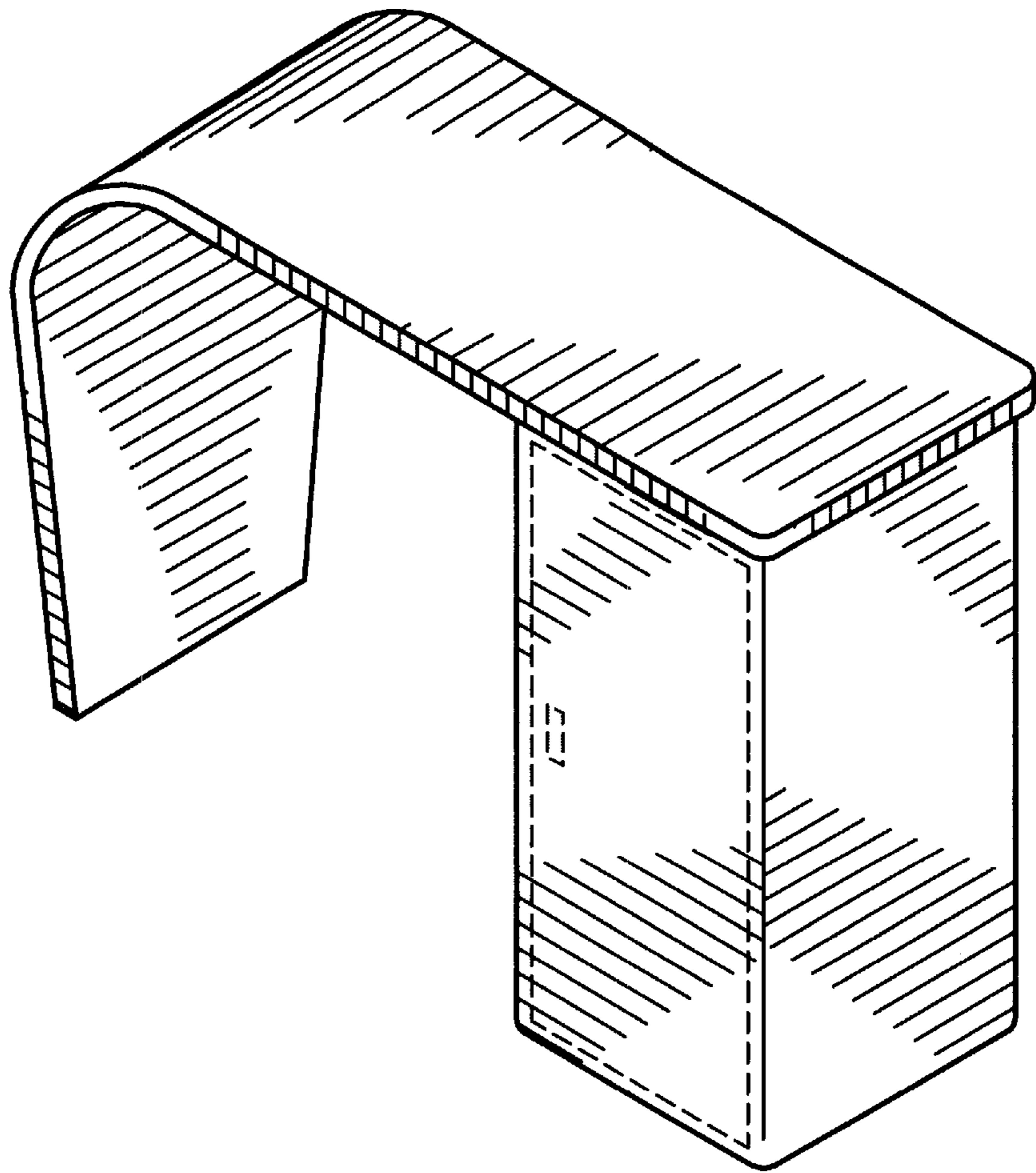


Fig. 1

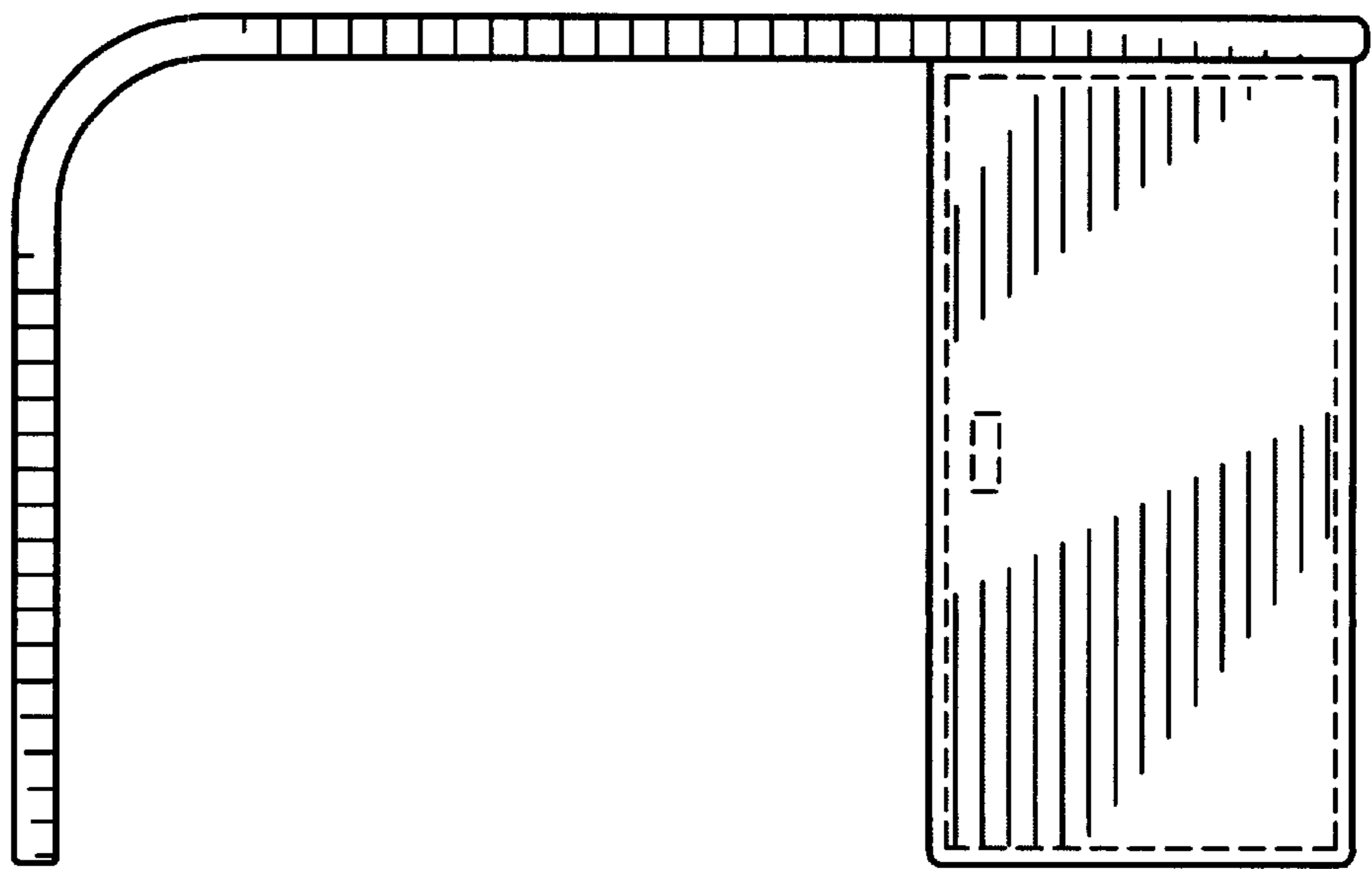


Fig. 2

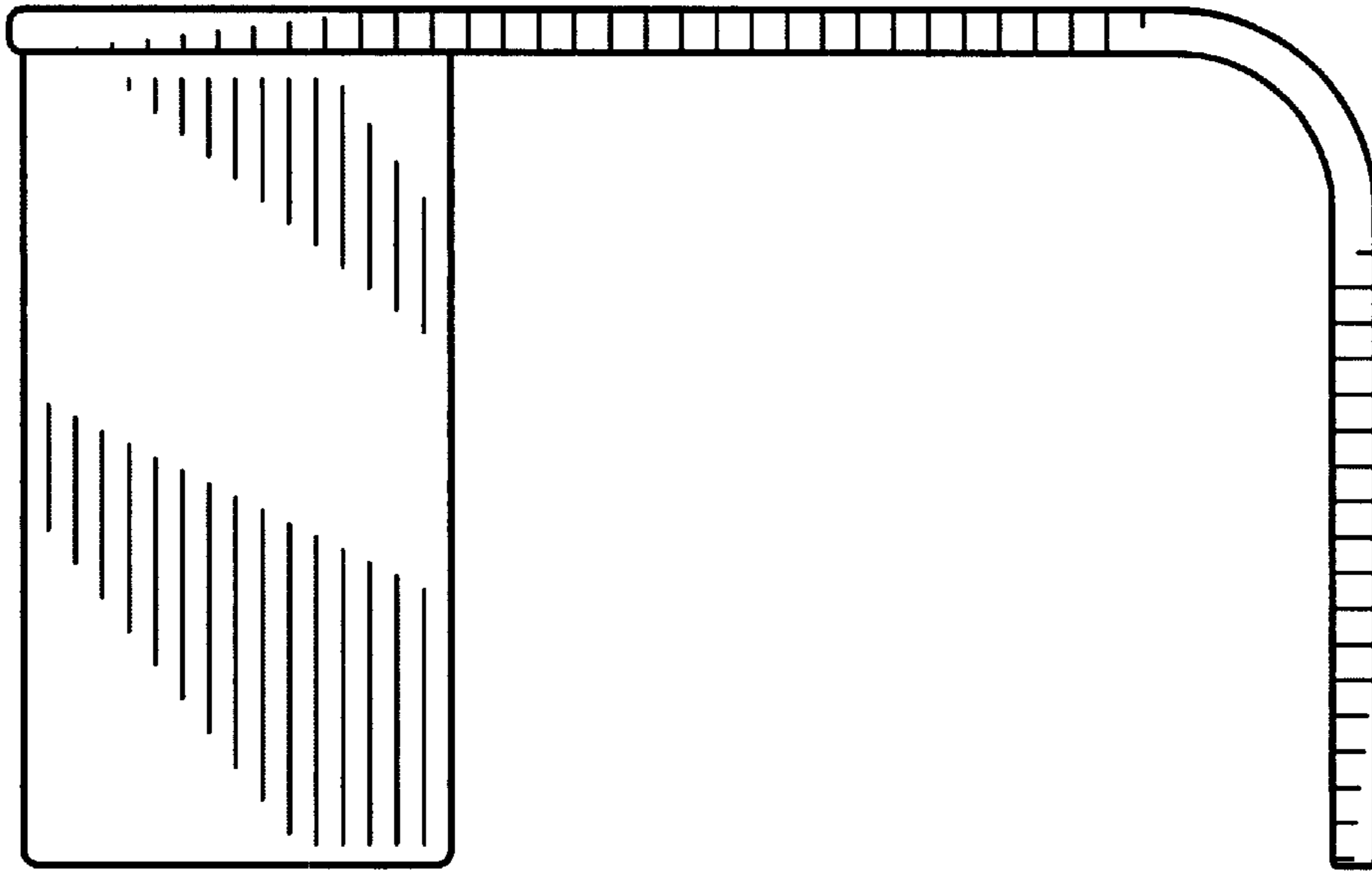


Fig. 3

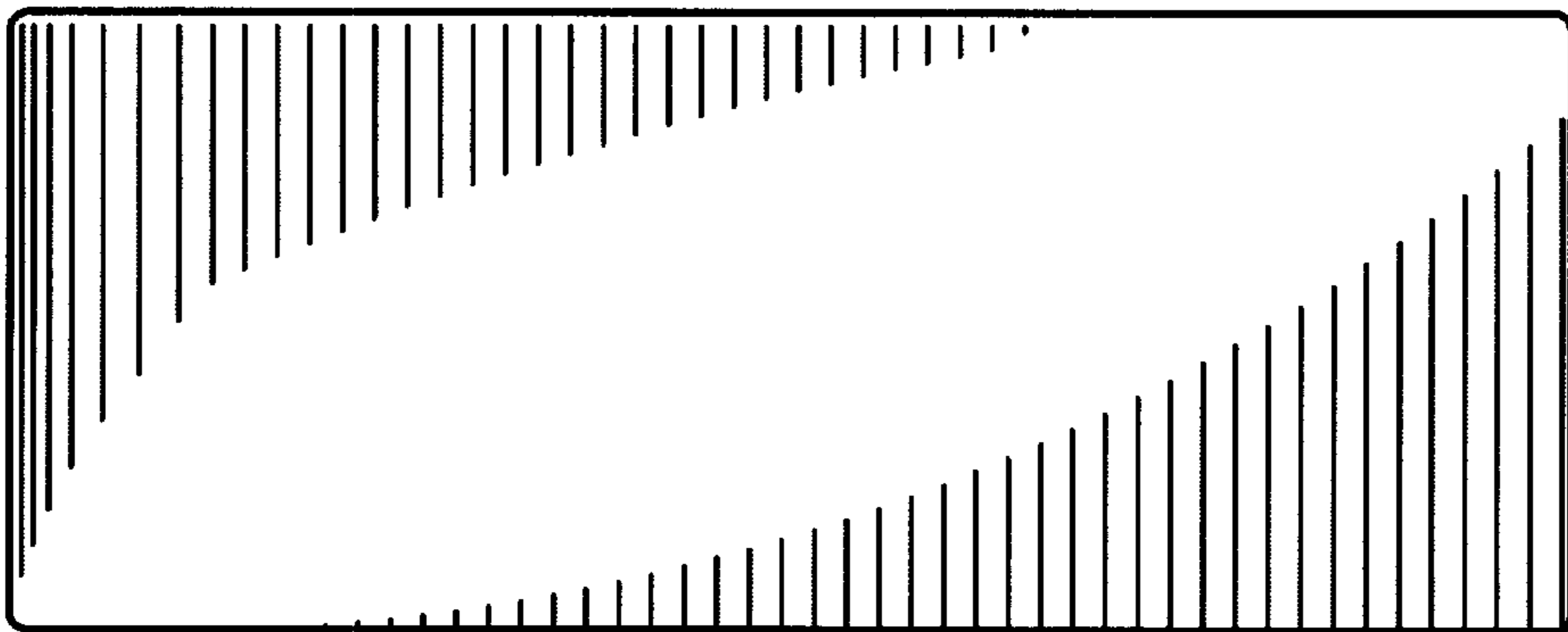


Fig. 4

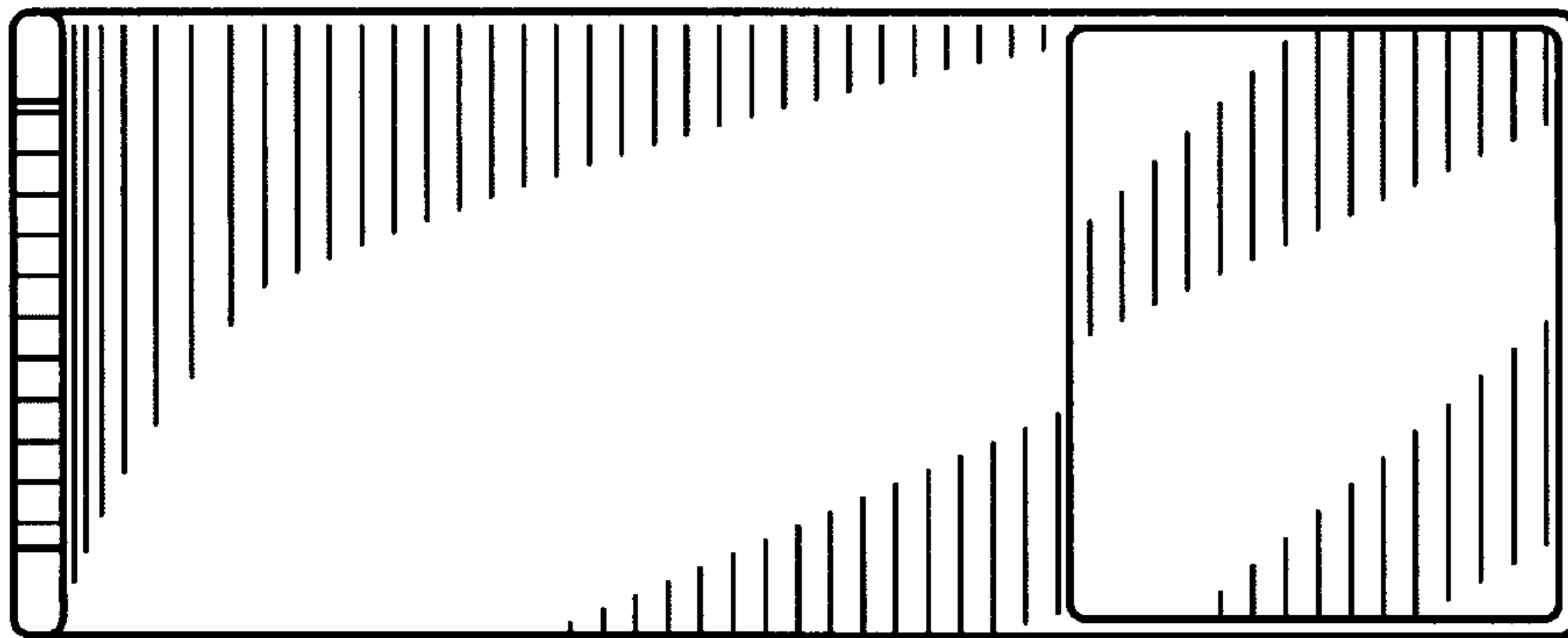


Fig. 5

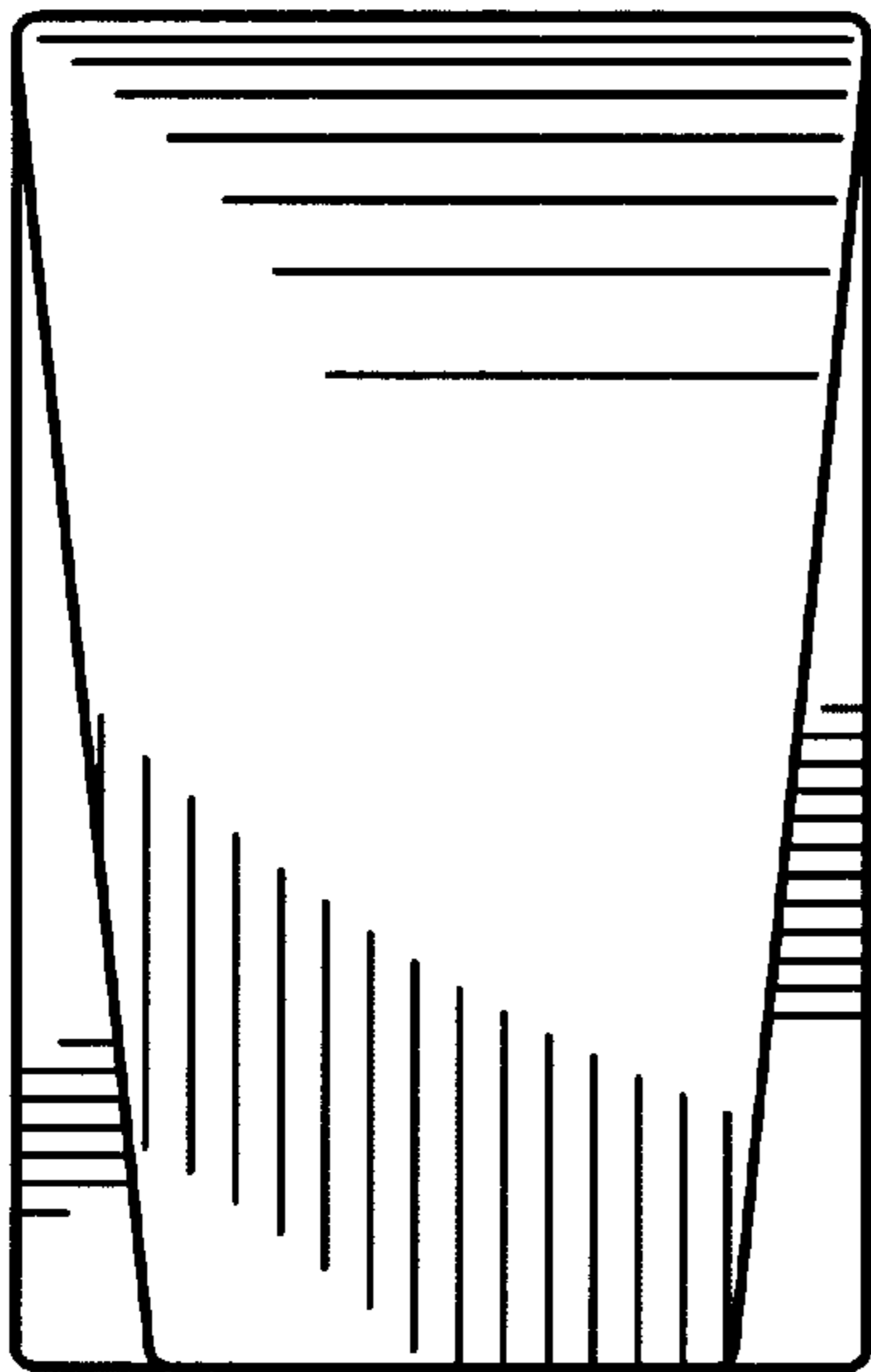


Fig. 6

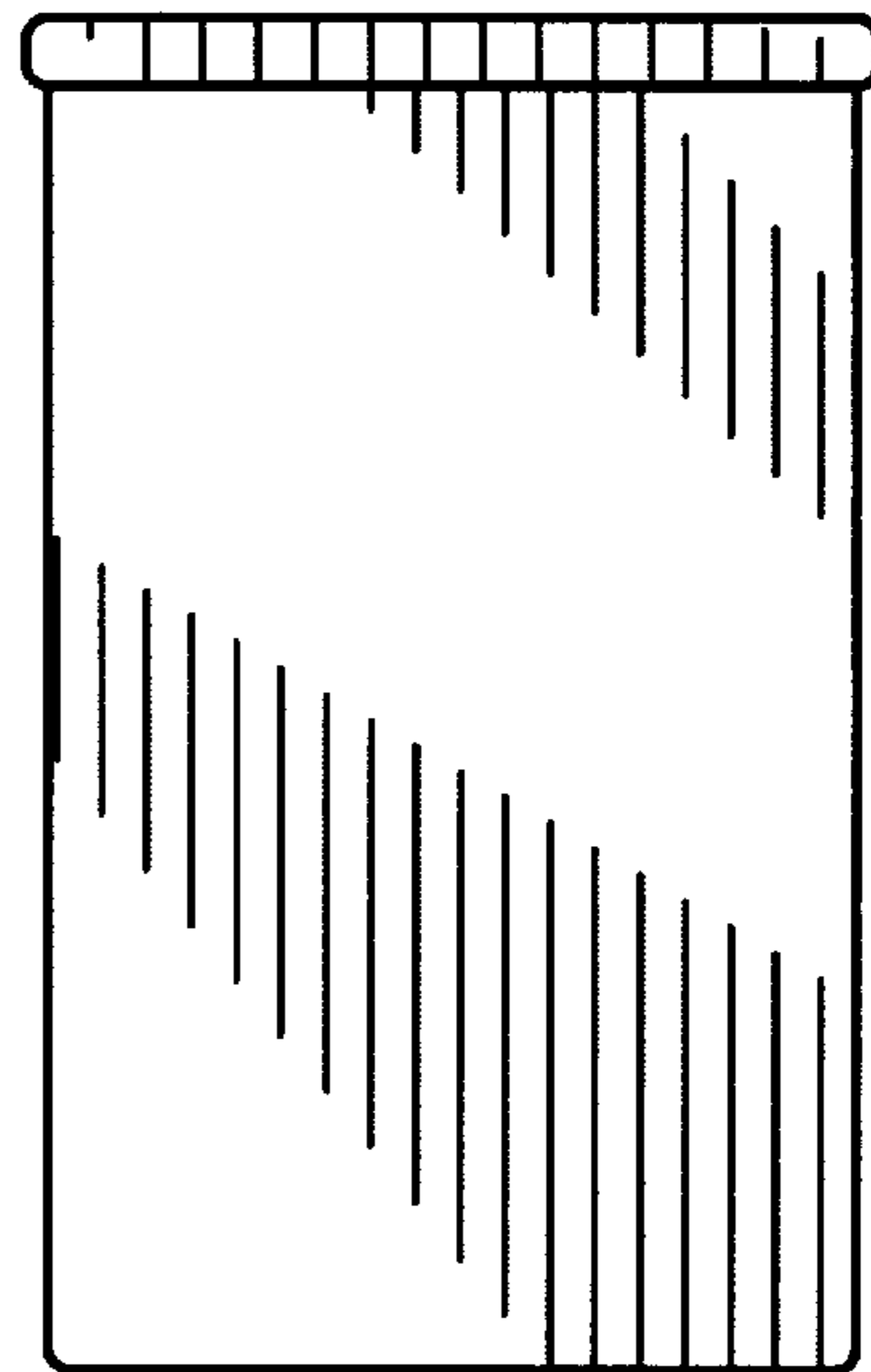


Fig. 7