



US00D472059S

(12) **United States Design Patent**
Hoernig

(10) **Patent No.:** **US D472,059 S**

(45) **Date of Patent:** **** Mar. 25, 2003**

(54) **ROBE HOOK**

(75) Inventor: **Victor Hoernig**, Lowell, IN (US)

(73) Assignee: **Bath Unlimited, Inc.**, Fort Mill, SC (US)

(**) Term: **14 Years**

(21) Appl. No.: **29/166,036**

(22) Filed: **Aug. 21, 2002**

(51) **LOC (7) Cl.** **06-08**

(52) **U.S. Cl.** **D6/323; D8/372**

(58) **Field of Search** D6/323, 567, 569-571, D6/550; D8/350, 352, 370, 372, 367; 248/303, 304, 309.1; 211/32, 87.01, 106.01

(56) **References Cited**

U.S. PATENT DOCUMENTS

- 239,465 A * 3/1881 Delany 211/87.01
- 802,705 A * 10/1905 Parker 248/304
- 1,235,159 A * 7/1917 Recker 248/301

- D144,010 S * 2/1946 Van Doren D6/323
- D343,066 S * 1/1994 Hsu D6/323
- D425,317 S * 5/2000 Snell D6/323

* cited by examiner

Primary Examiner—B. J. Bullock

(74) *Attorney, Agent, or Firm*—Edgar A. Zarins; Lloyd D. Doigan

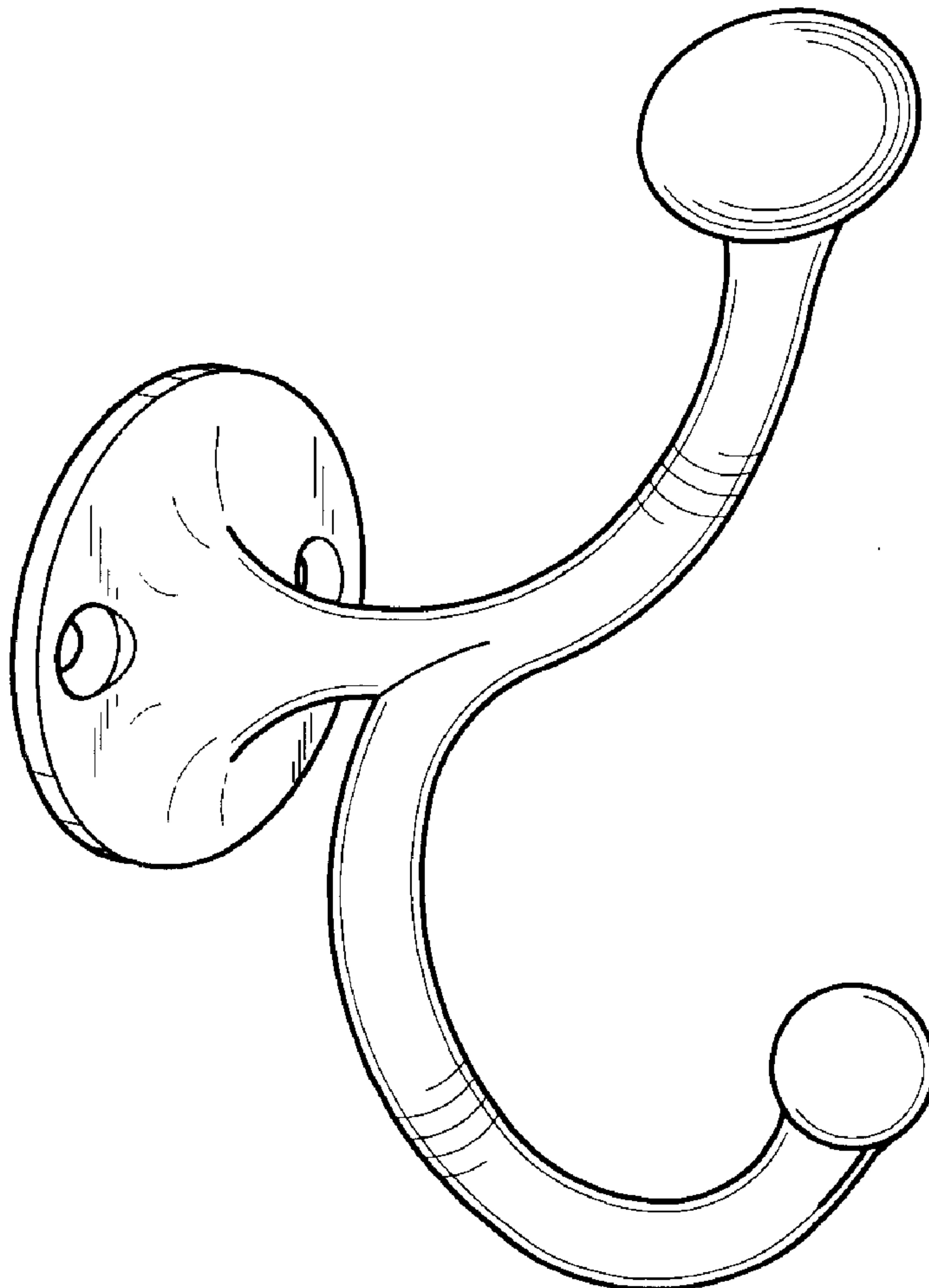
(57) **CLAIM**

The ornamental design for a robe hook, as shown and described.

DESCRIPTION

FIG. 1 is a perspective view of a robe hook showing my new design;
 FIG. 2 is a front elevational view thereof;
 FIG. 3 is a right side view thereof, the opposite side being a mirror image of the side shown;
 FIG. 4 is a bottom view thereof;
 FIG. 5 is a top plan view thereof; and,
 FIG. 6 is a rear view thereof.

1 Claim, 2 Drawing Sheets



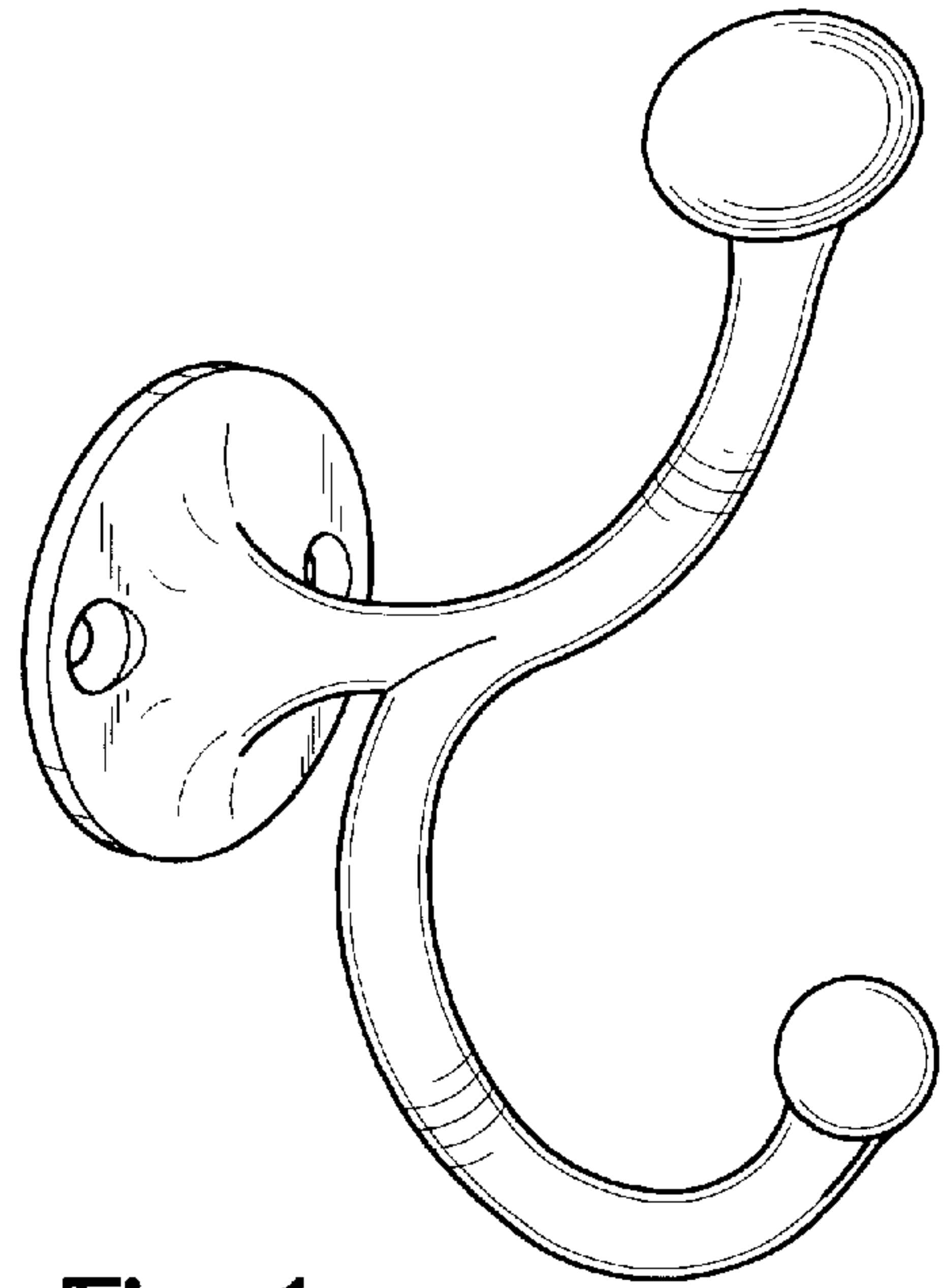


Fig-1

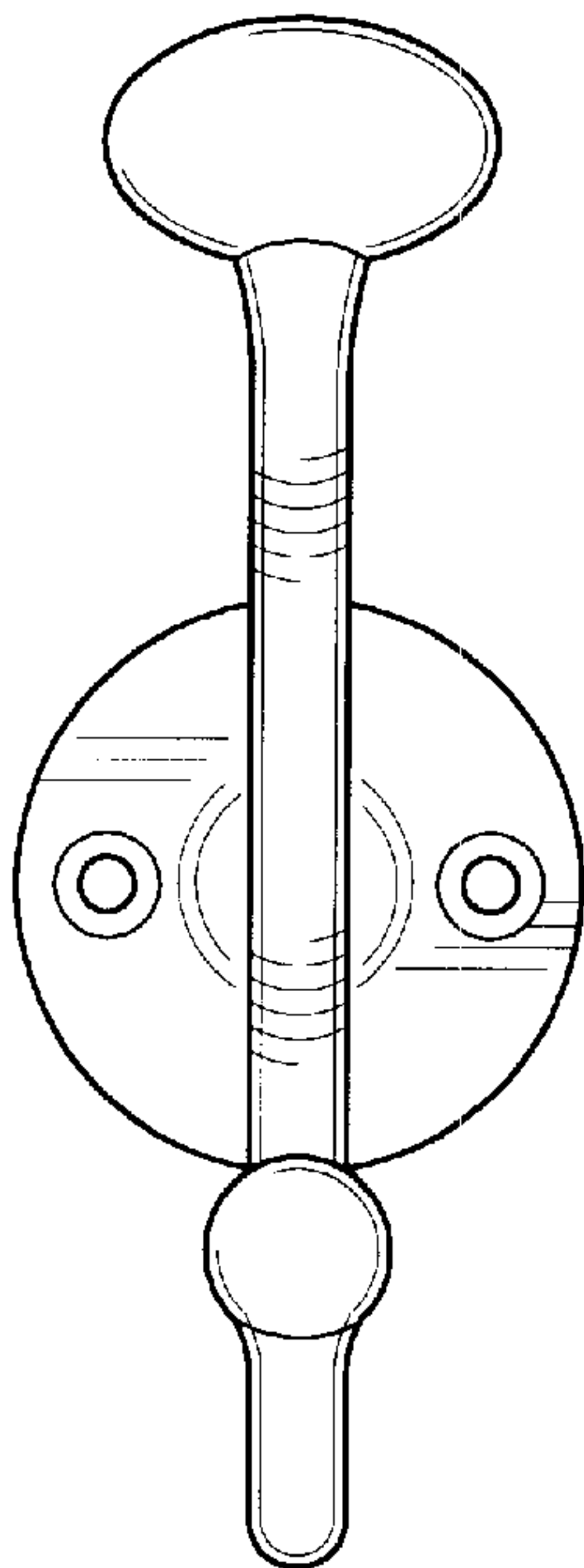


Fig-2

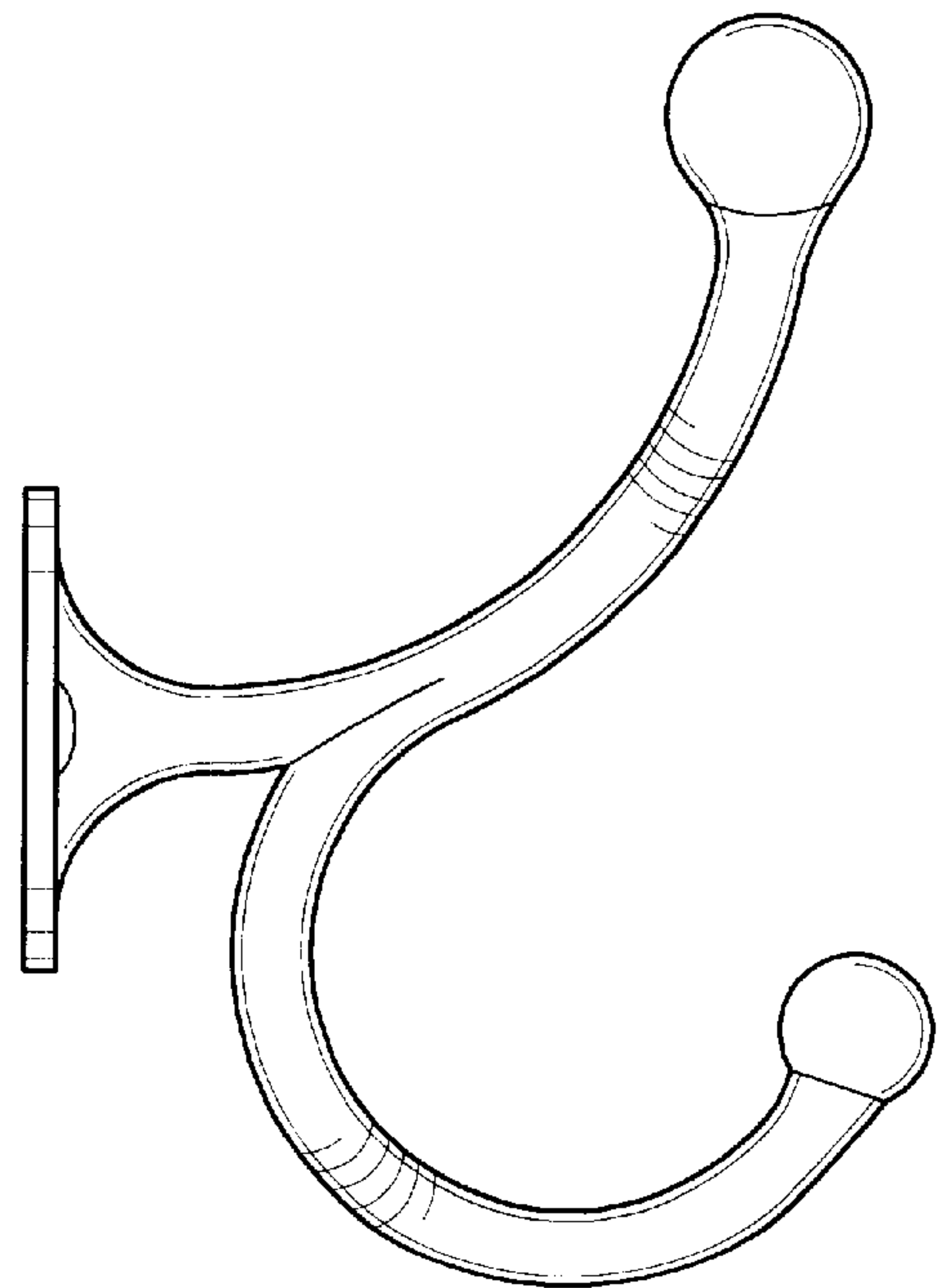


Fig-3

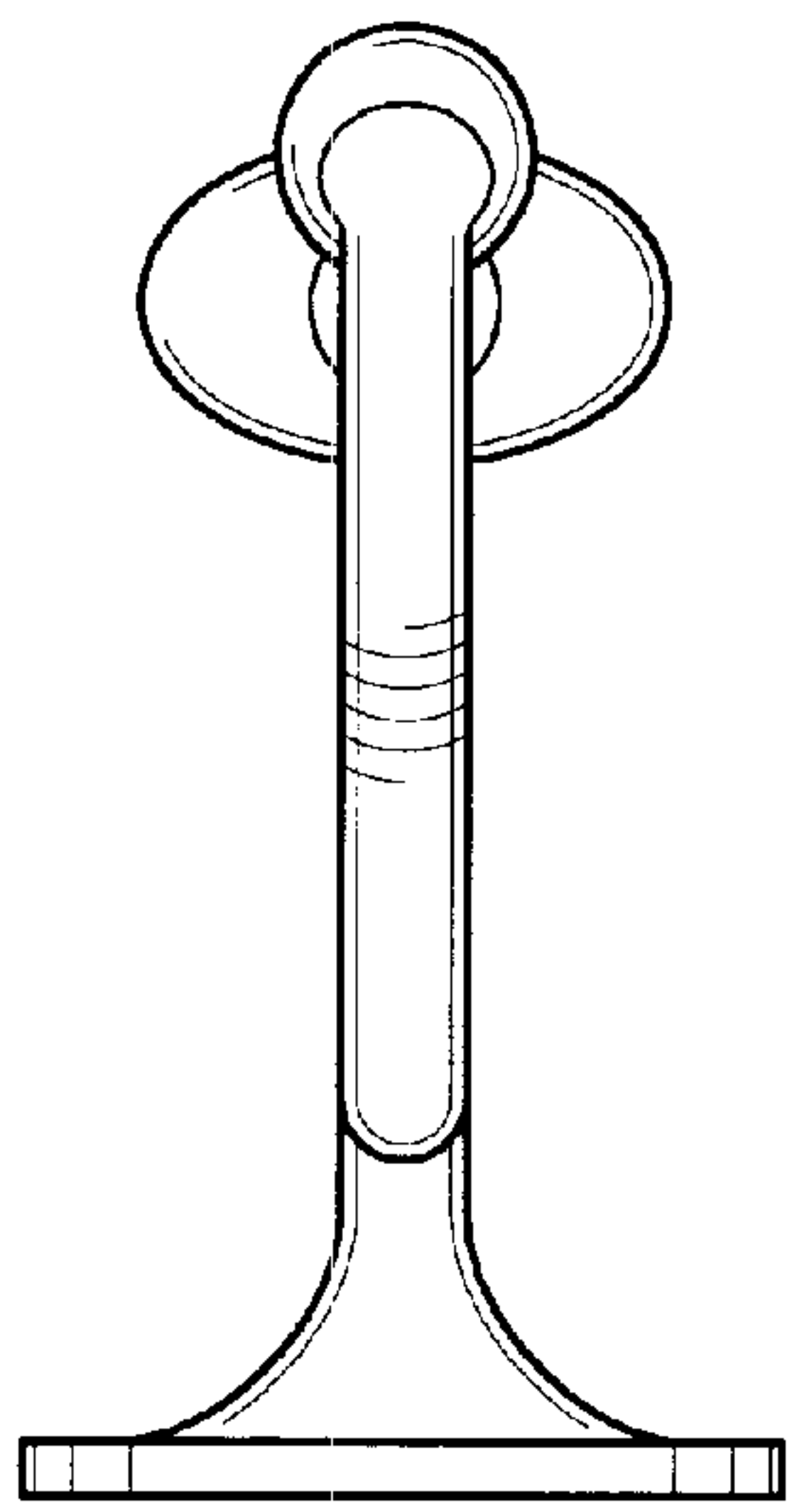


Fig-4

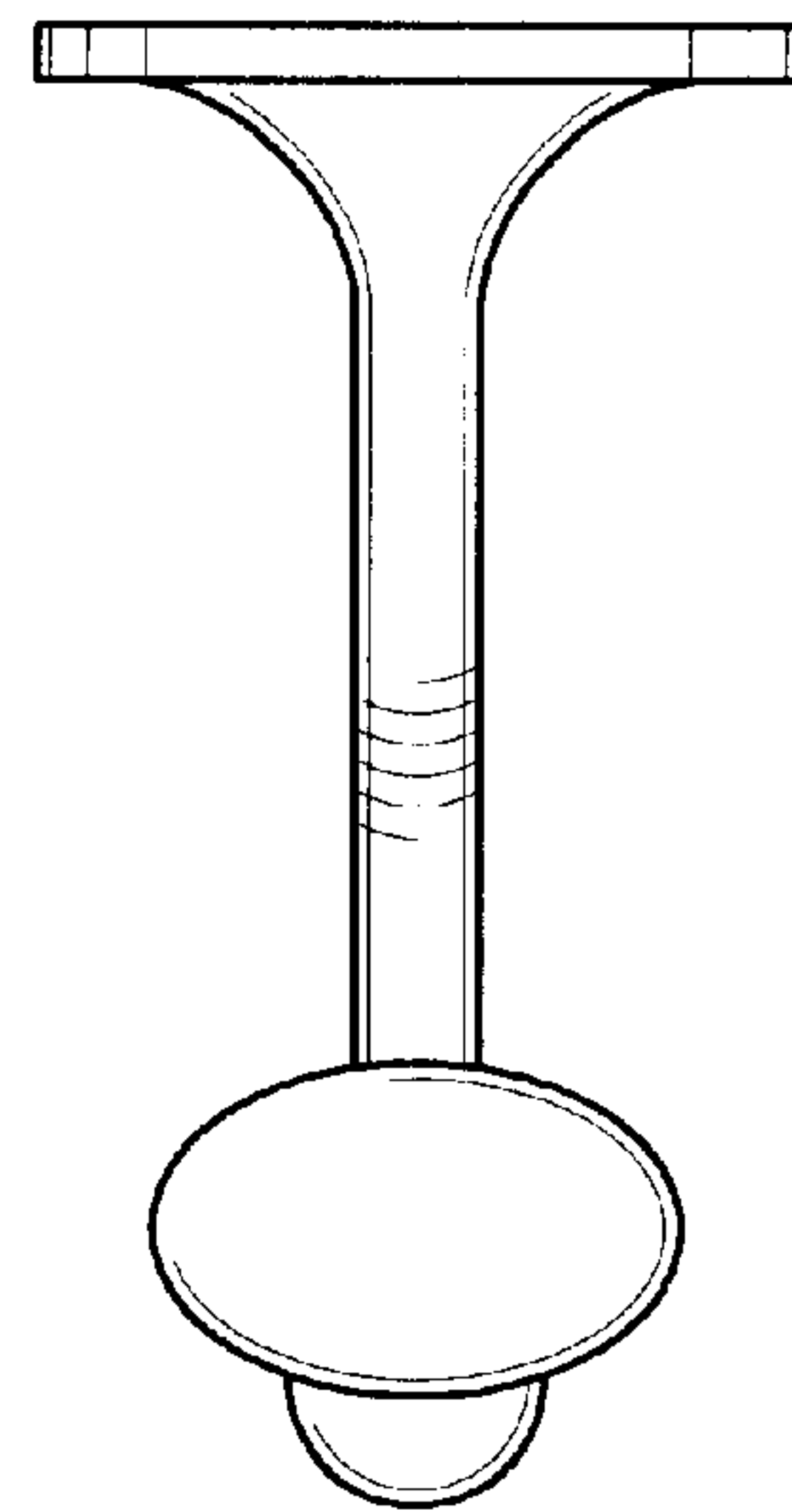


Fig-5

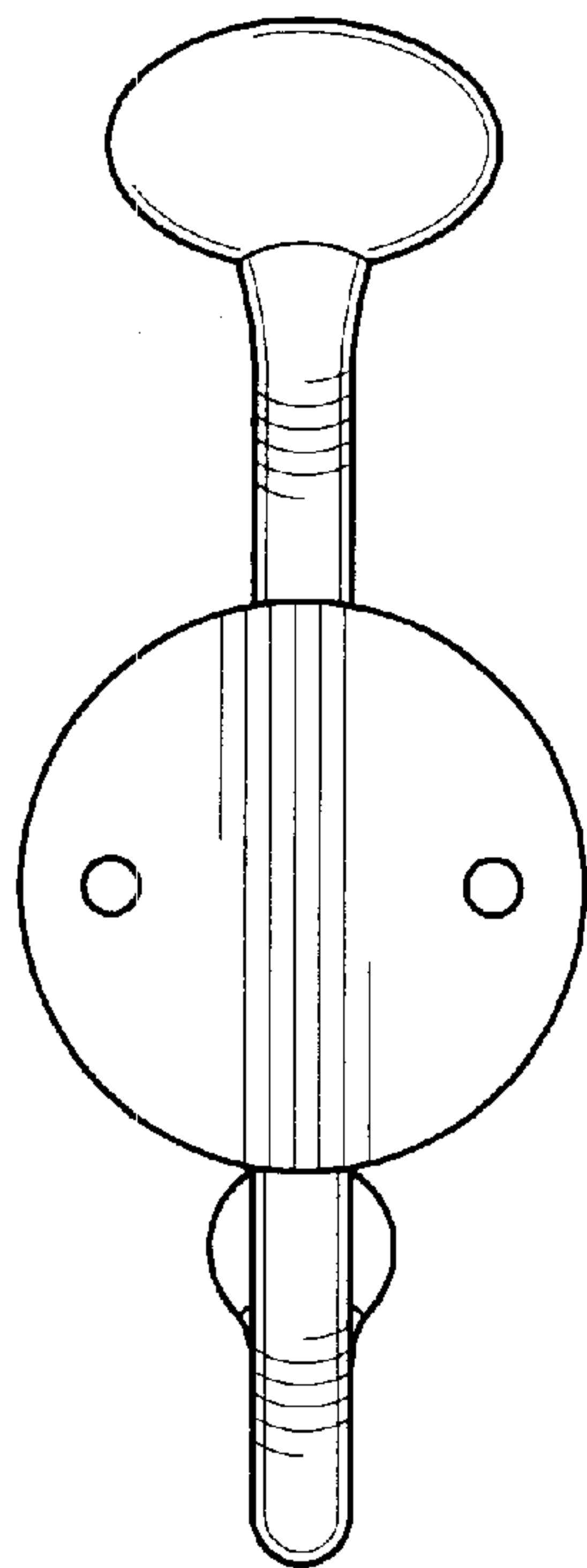


Fig-6