



US00D472058S

(12) **United States Design Patent**
Weichert

(10) **Patent No.:** **US D472,058 S**

(45) **Date of Patent:** **** Mar. 25, 2003**

(54) **WALL MOUNTED TIE, HANDKERCHIEF,
AND ACCESSORY HANGER RACK**

D243,055 S * 1/1977 Blumberg D6/315
4,778,088 A * 10/1988 Miller 211/113
D444,377 S * 7/2001 Harvey D6/513

(76) **Inventor:** **Gerald Weichert**, 711 W. 43rd St.,
Chicago, IL (US) 60609

* cited by examiner

(**) **Term:** **14 Years**

Primary Examiner—B. J. Bullock

(74) *Attorney, Agent, or Firm*—Goldstein & Lavas, P.C.

(21) **Appl. No.:** **29/163,064**

(57) **CLAIM**

(22) **Filed:** **Jun. 24, 2002**

The ornamental design for a wall mounted tie, handkerchief, and accessory hanger rack, as shown and described.

(51) **LOC (7) Cl.** **06-08**

DESCRIPTION

(52) **U.S. Cl.** **D6/320; D6/315**

(58) **Field of Search** D6/315, 317, 319,
D6/513, 326, 320, 323, 553, 569–571;
211/113, 119, 85.3; 223/85, 88, 91, 96,
87, DIG. 1

FIG. 1 is a perspective view of a wall mounted tie, handkerchief, and accessory hanger rack.

FIG. 2 is a front elevational view thereof.

FIG. 3 is a rear elevational view thereof.

FIG. 4 is a left side elevational view thereof.

FIG. 5 is a right side elevational view thereof.

FIG. 6 is a top plan view of the wall mounted tie, handkerchief, and accessory hanger rack; and,

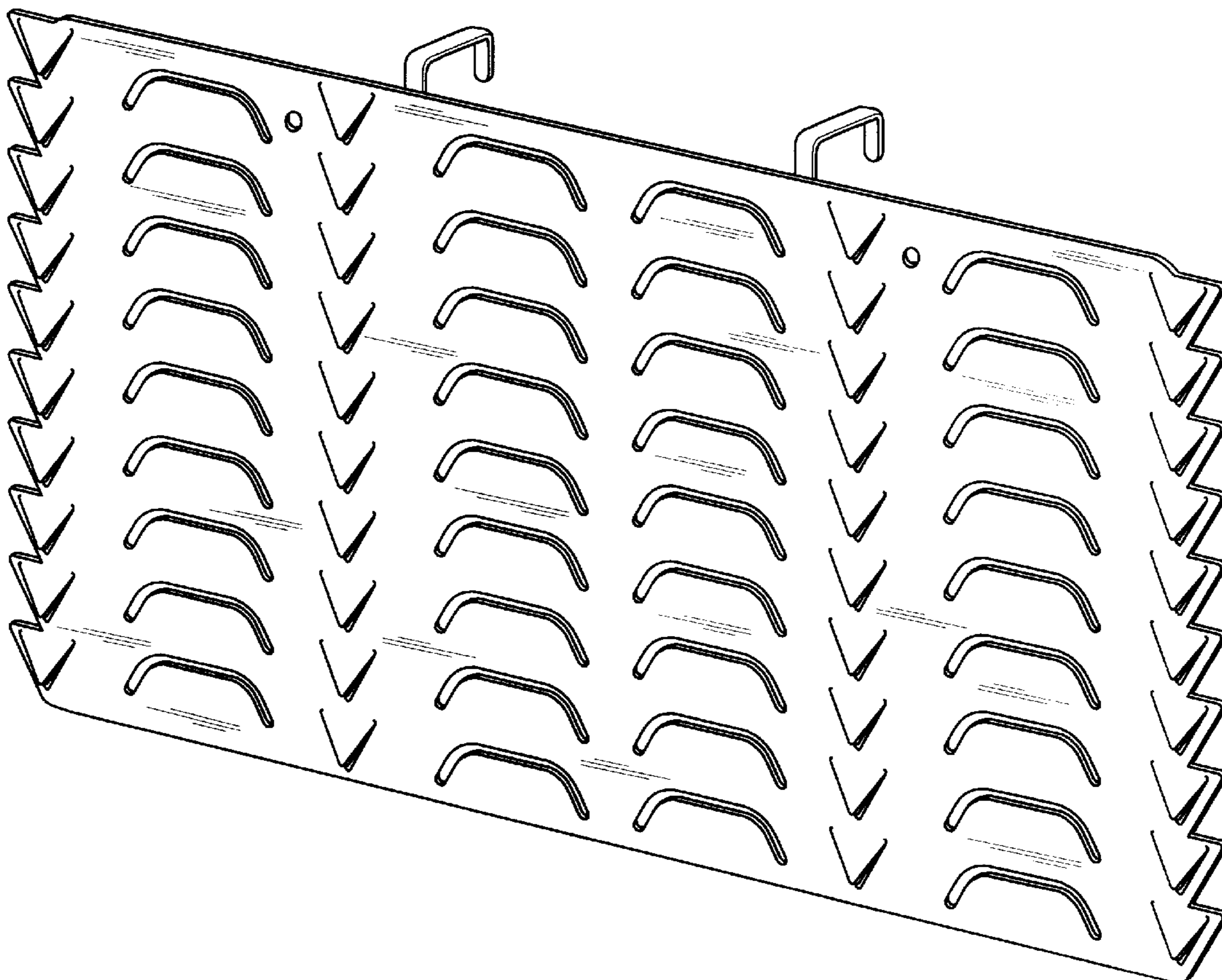
FIG. 7 is a bottom plan view thereof.

(56) **References Cited**

U.S. PATENT DOCUMENTS

D191,647 S * 10/1961 Seeger 211/85.3
D204,342 S * 4/1966 Larkin 223/85
3,783,995 A * 1/1974 Tobin 223/DIG. 1

1 Claim, 3 Drawing Sheets



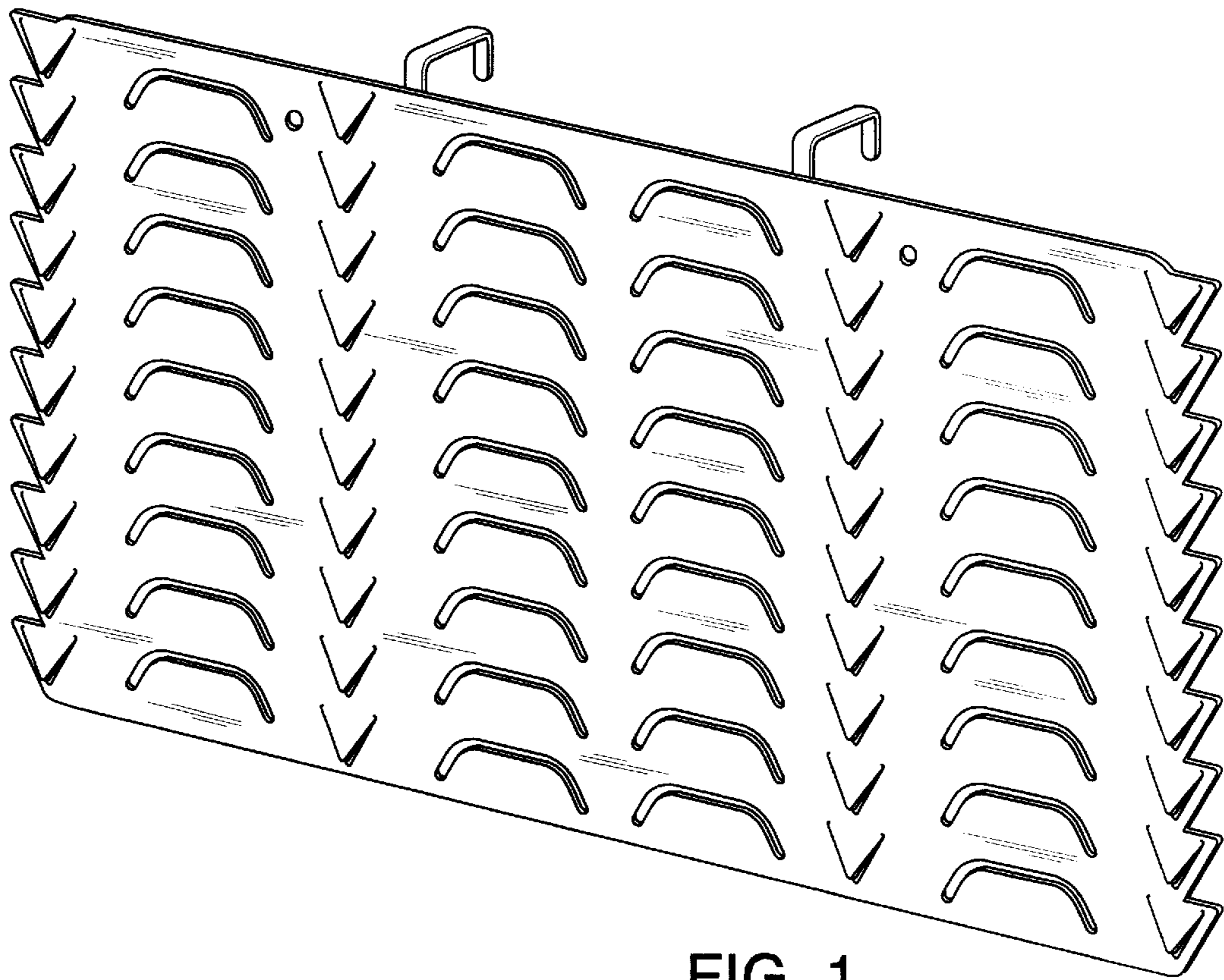


FIG. 1

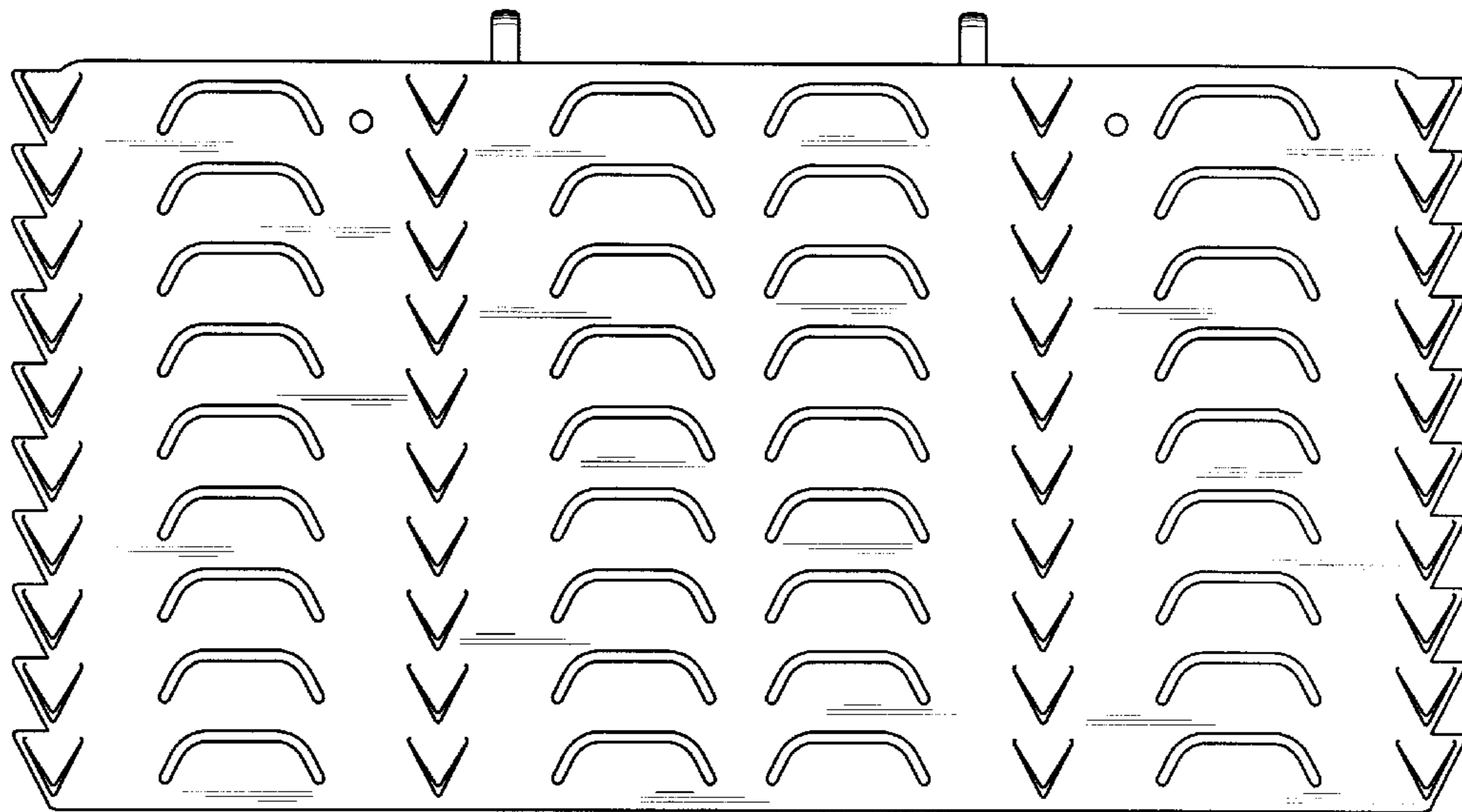


FIG. 2

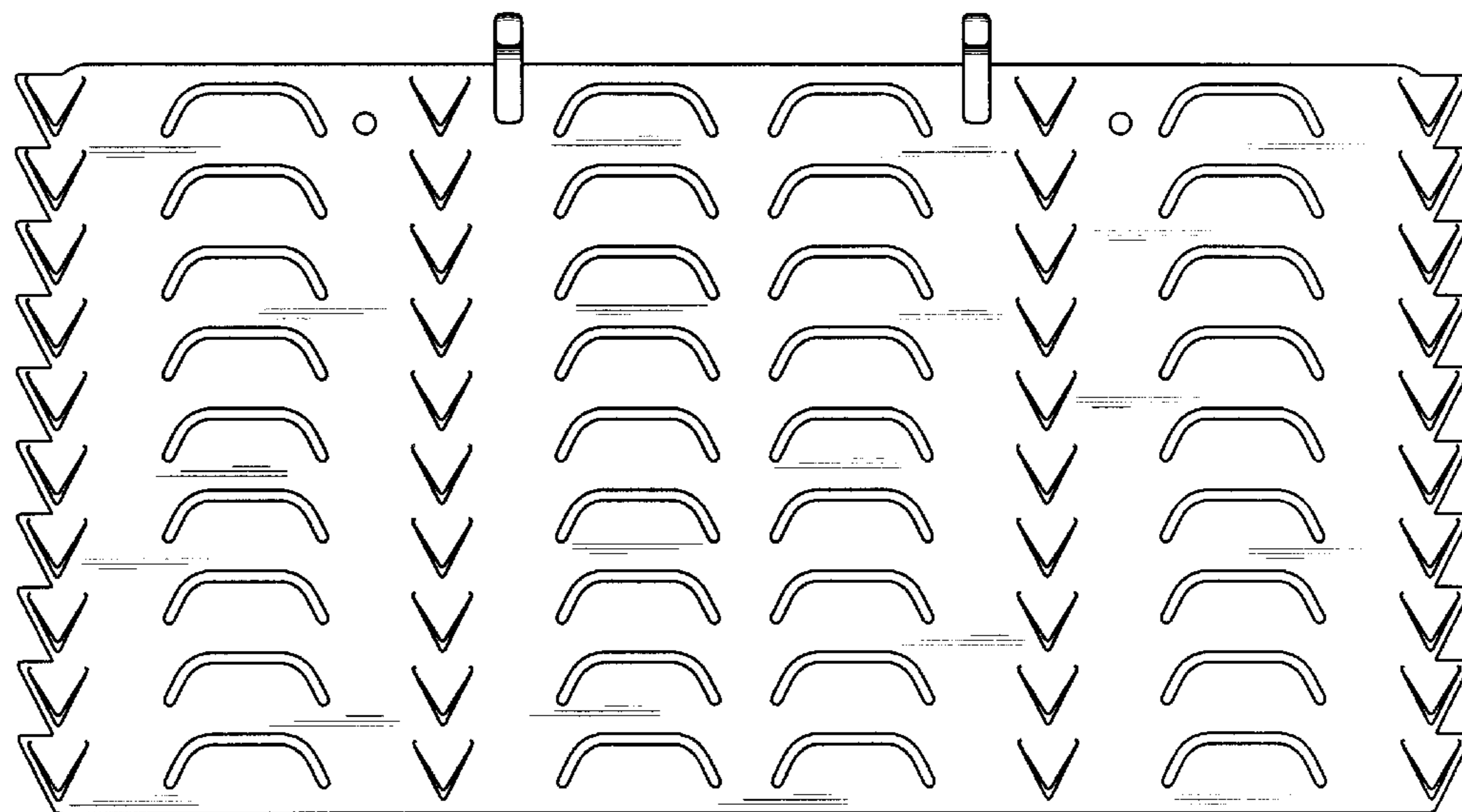


FIG. 3

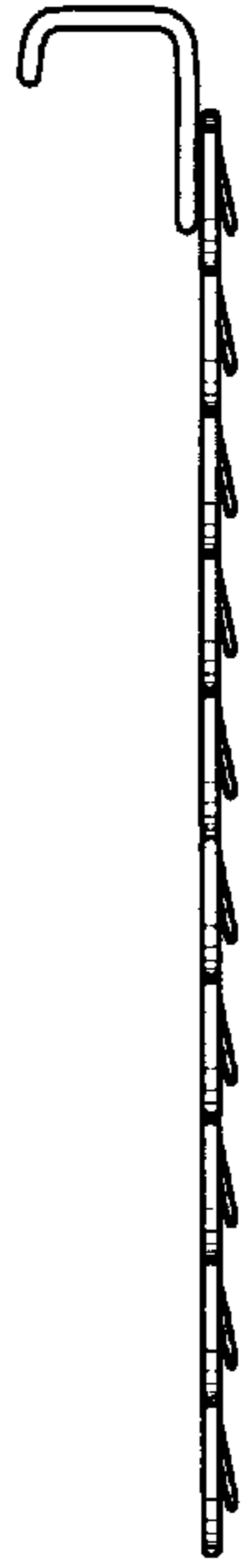


FIG. 4

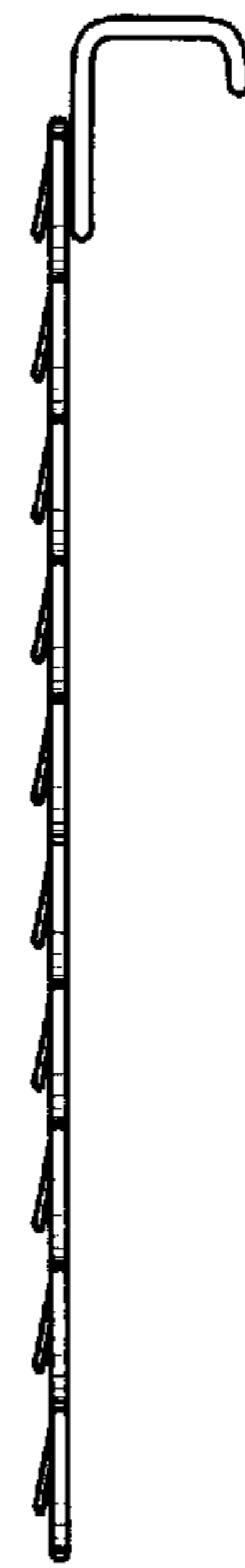


FIG. 5



FIG. 6



FIG. 7