



US00D472052S

(12) **United States Design Patent**
Park

(10) **Patent No.:** **US D472,052 S**

(45) **Date of Patent:** **** Mar. 25, 2003**

(54) **HAIR BRUSH**

(76) Inventor: **Ran Kyu Park**, 5-103, Hyochang-dong yongsan-ku, Seoul (KR)

(**) Term: **14 Years**

(21) Appl. No.: **29/163,039**

(22) Filed: **Jun. 26, 2002**

(51) **LOC (7) Cl.** **04-02**

(52) **U.S. Cl.** **D4/119; D9/136**

(58) **Field of Search** D4/119, 133, 136, D4/138; 15/143.1, 159.1, 160, 186-188, 106, DIG. 5, DIG. 6, 207.2; 16/110.1, 430, 431; 132/120, 313

(56) **References Cited**

U.S. PATENT DOCUMENTS

4,722,111 A	*	2/1988	Brodey et al.	15/207.2
D423,792 S	*	5/2000	Amante	D4/133
D438,388 S	*	3/2001	Cheung	D4/136

FOREIGN PATENT DOCUMENTS

JP	8-238127	*	9/1996	A46B/5/00
KR	142558		9/1993		
KR	108642		12/1993		
KR	158571		1/1995		
KR	162235		4/1995		
KR	0217225		3/1998		
KR	156333		4/1998		
KR	211867		4/1998		
KR	211961		4/1998		
KR	214959		4/1998		
KR	0224612		7/1998		
KR	0225488		8/1998		
KR	0231209		11/1998		
KR	0231210		11/1998		
KR	0231211		11/1998		
KR	0231212		11/1998		
KR	30-0236650		1/1999		
KR	30-0287757		11/2001		
KR	30-0282626		1/2002		

OTHER PUBLICATIONS

Hong Kong Enterprise, vol. 2, Feb. 2000, Handle shown on the Kai-Fat Brush Factory Ltd. Brushes on p. 7.*

U.S. Ser. No. 29/165,307, Applicant: Ran Kyu Park, filed Aug. 8, 2002, including specification, claim and 6 sheets of drawings.

U.S. Ser. No. 29/165,308, Applicant: Ran Kyu Park, filed Aug. 8, 2002, including specification, claim and 5 sheets of drawings.

U.S. Ser. No. 29/165,749, Applicant: Ran Kyu Park, filed Aug. 15, 2002, including specification, claim and 7 sheets of drawings.

U.S. Ser. No. 29/165,751, Applicant: Ran Kyu Park, filed Aug. 15, 2002, including specification, claim and 6 sheets of drawings.

* cited by examiner

Primary Examiner—Alan P. Douglas

Assistant Examiner—Lavone D Tabor

(74) *Attorney, Agent, or Firm*—Flynn, Thiel, Boutell & Tanis, P.C.

(57) **CLAIM**

The ornamental design of a hair brush, as shown and described.

DESCRIPTION

FIG. 1. is a top front perspective view of a hair brush showing my new design.

FIG. 2. is a front elevational view thereof.

FIG. 3. is a rear elevational view thereof.

FIG. 4. is a left side elevational.

FIG. 5. is a right side elevational.

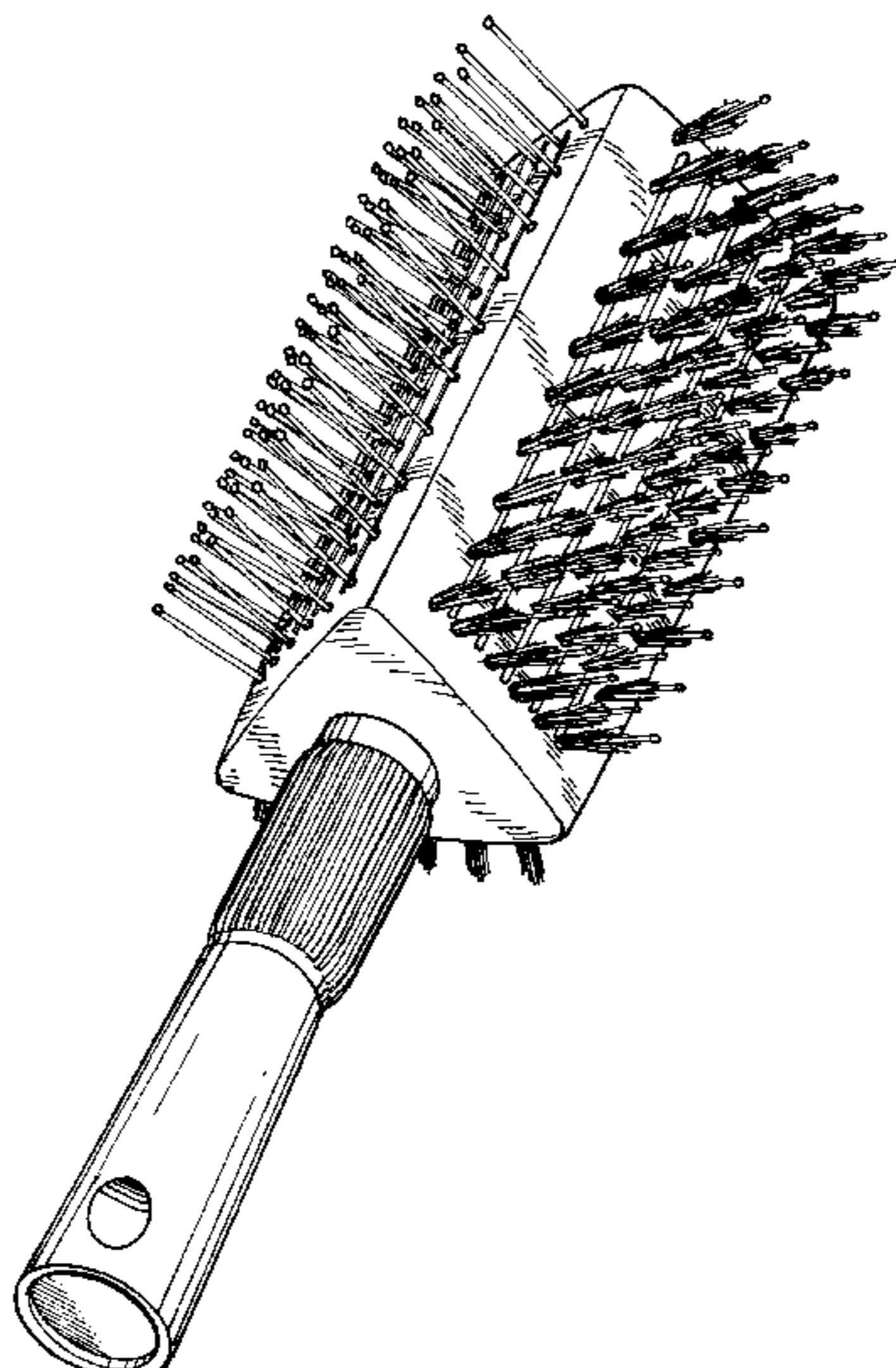
FIG. 6. is top plan view thereof.

FIG. 7. is a bottom plan view thereof.

FIG. 8 is a sectional view taken along line 8—8 of FIG. 2; and,

FIG. 9 is a sectional view taken along line 9—9 of FIG. 2.

1 Claim, 7 Drawing Sheets



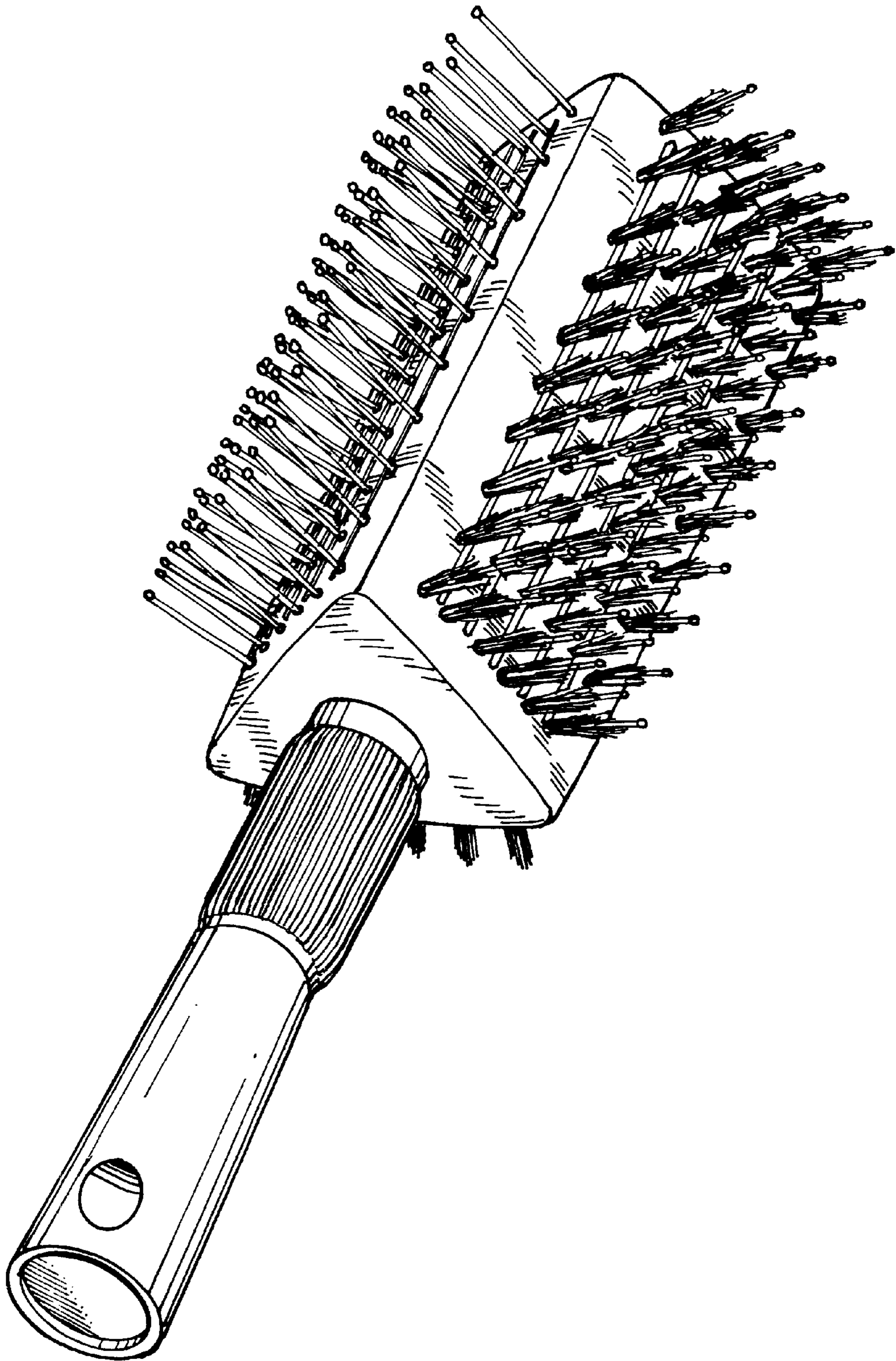


FIG. 1

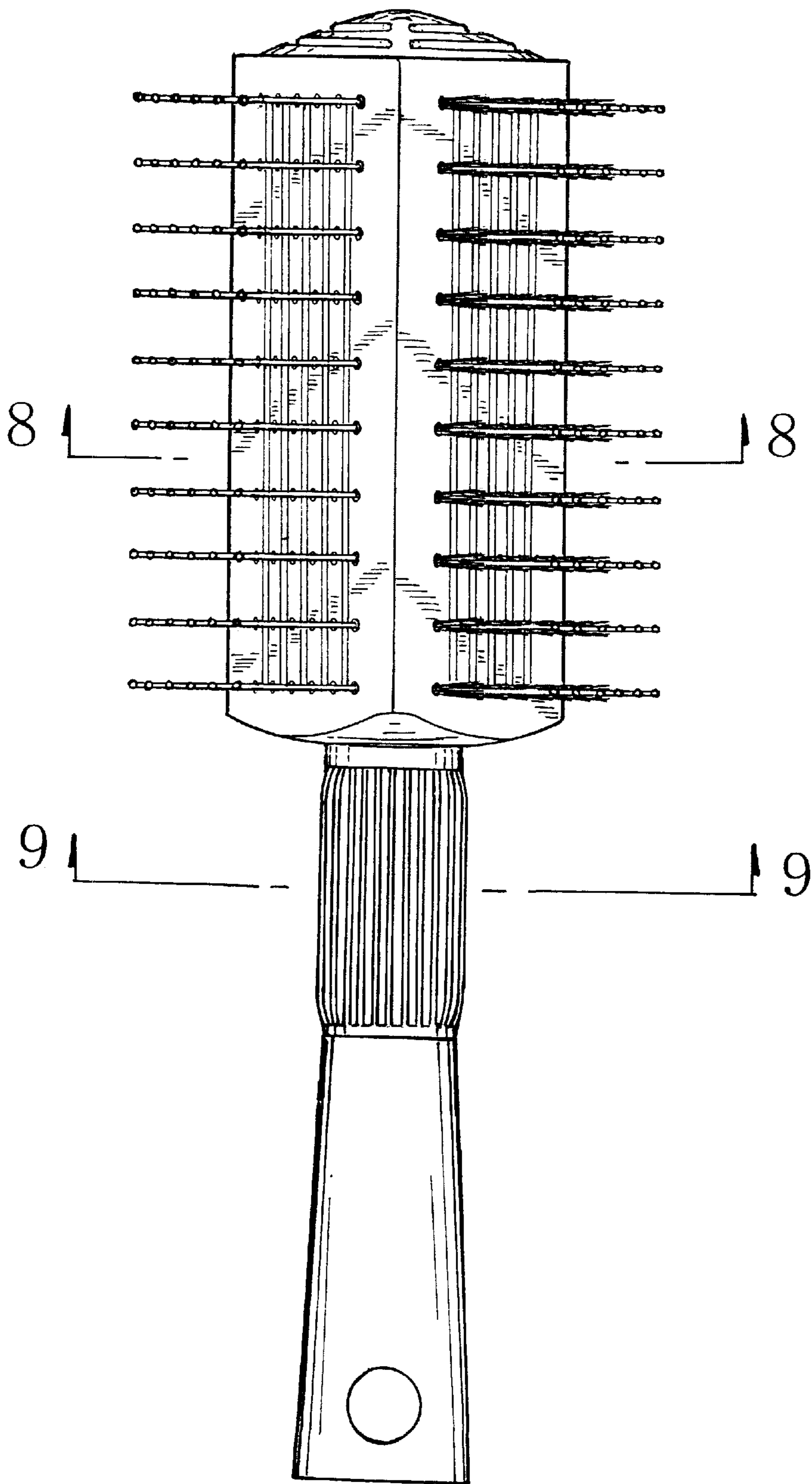


FIG. 2

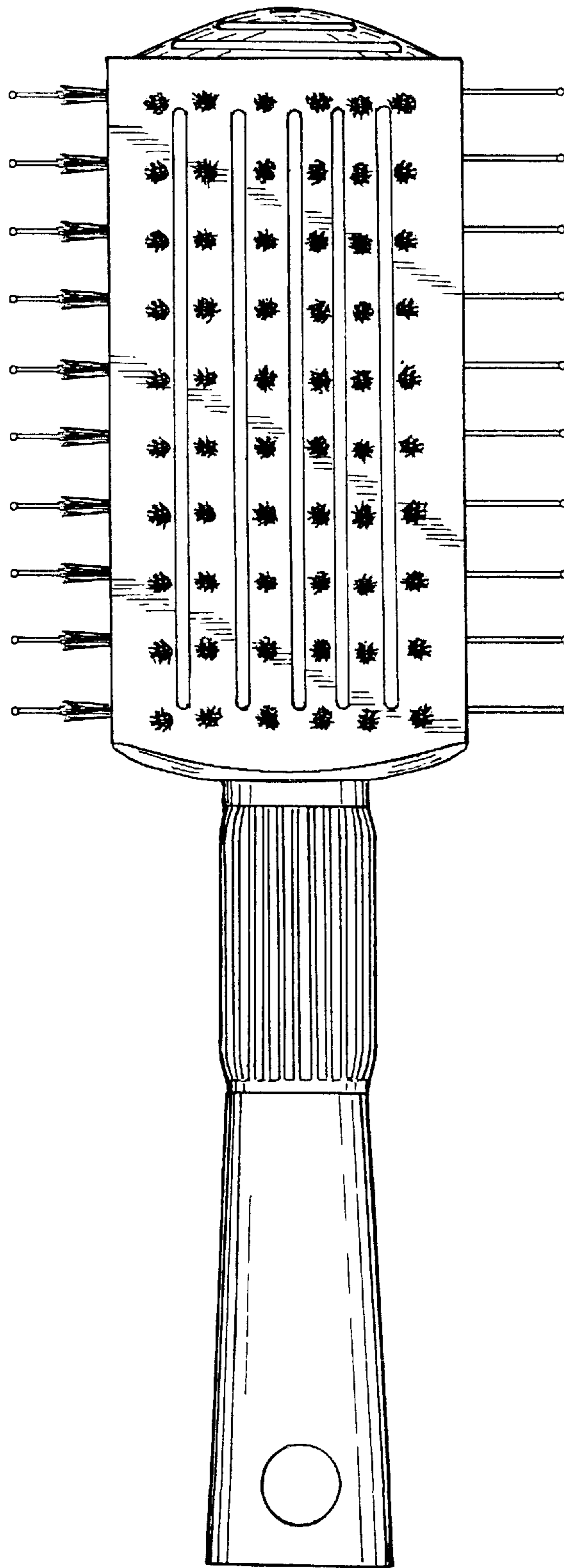


FIG. 3

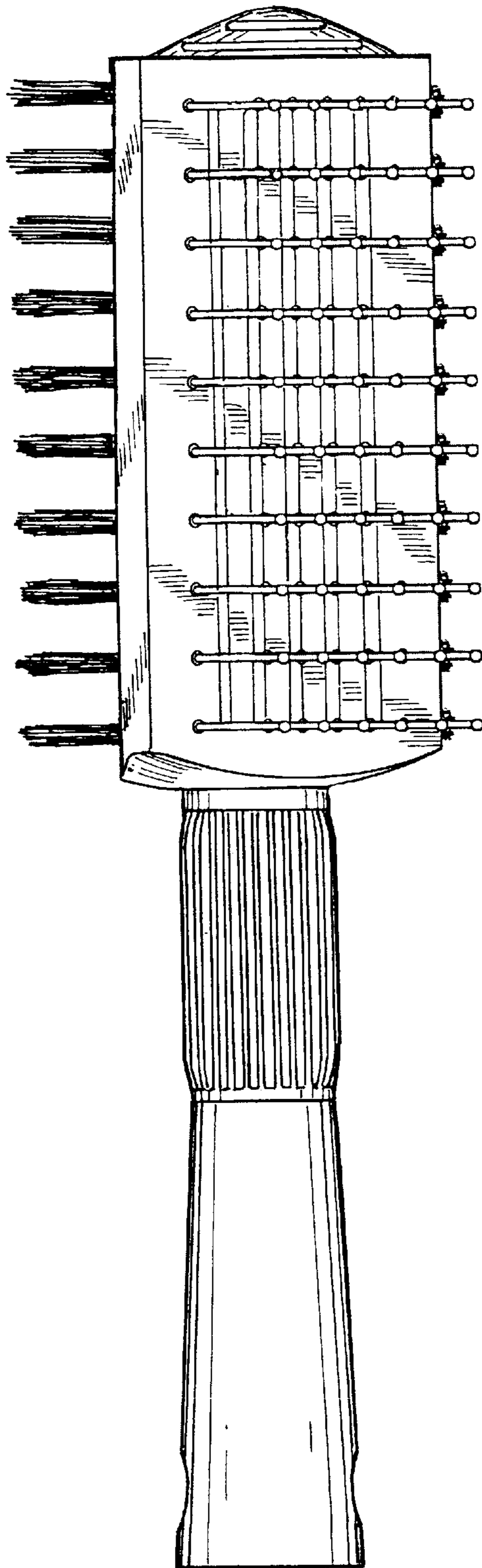


FIG. 4

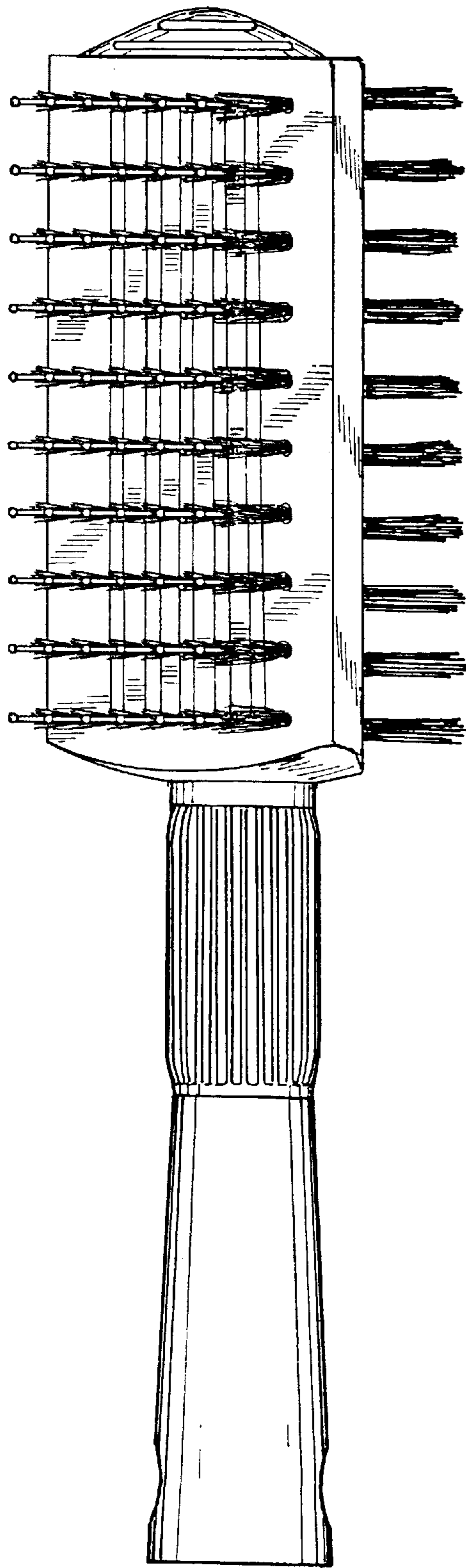


FIG. 5

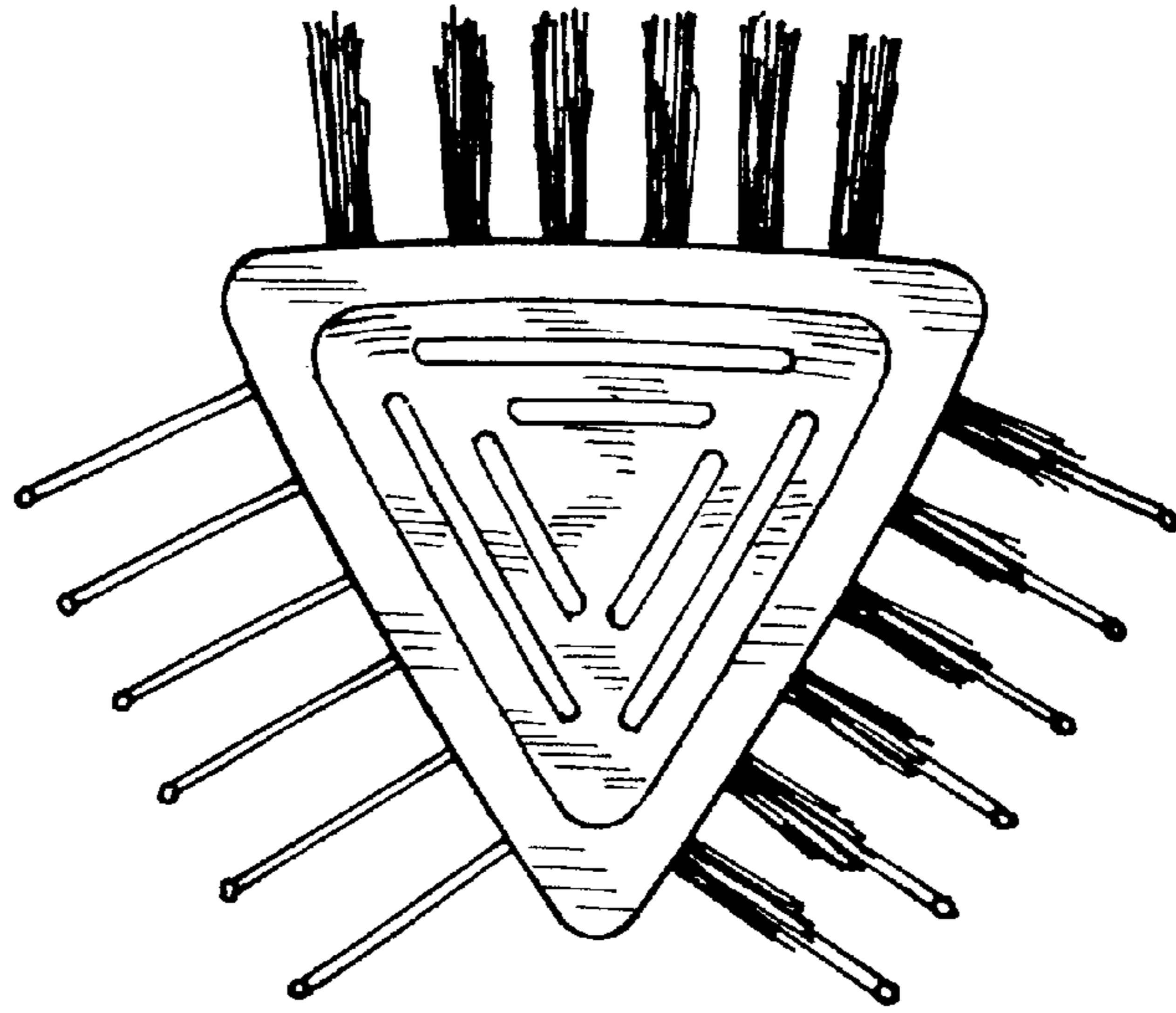


FIG. 6

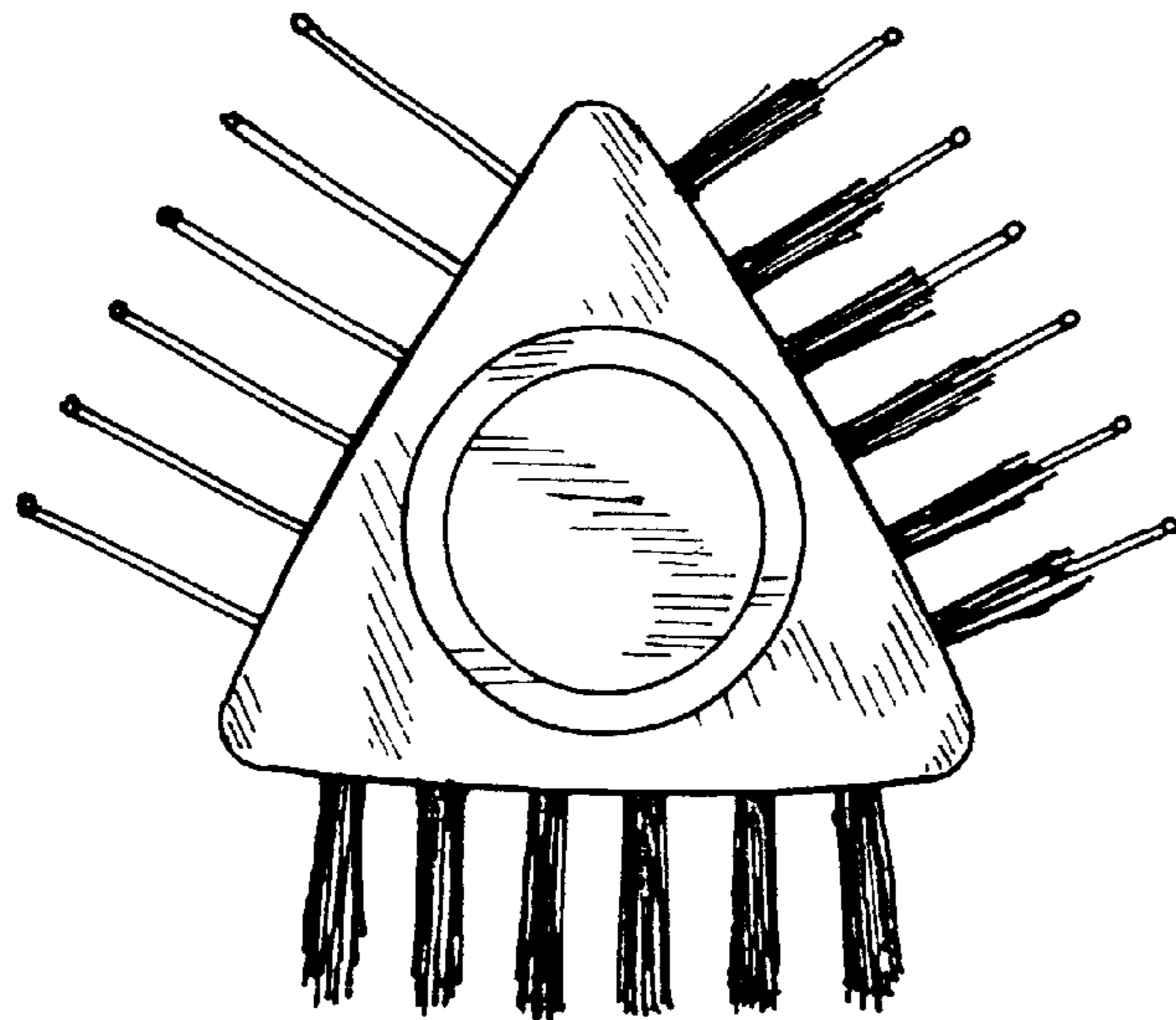


FIG. 7

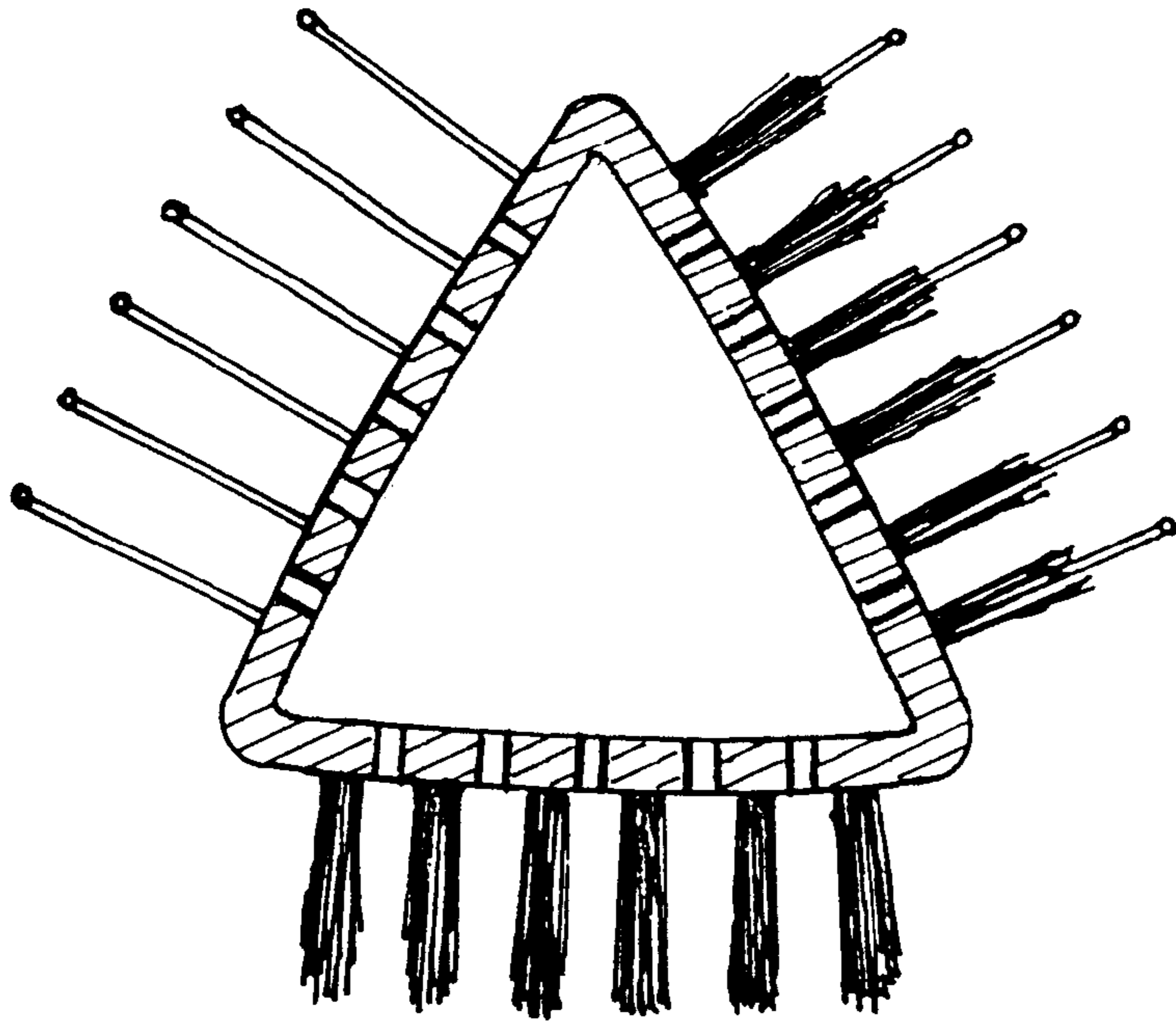


FIG. 8

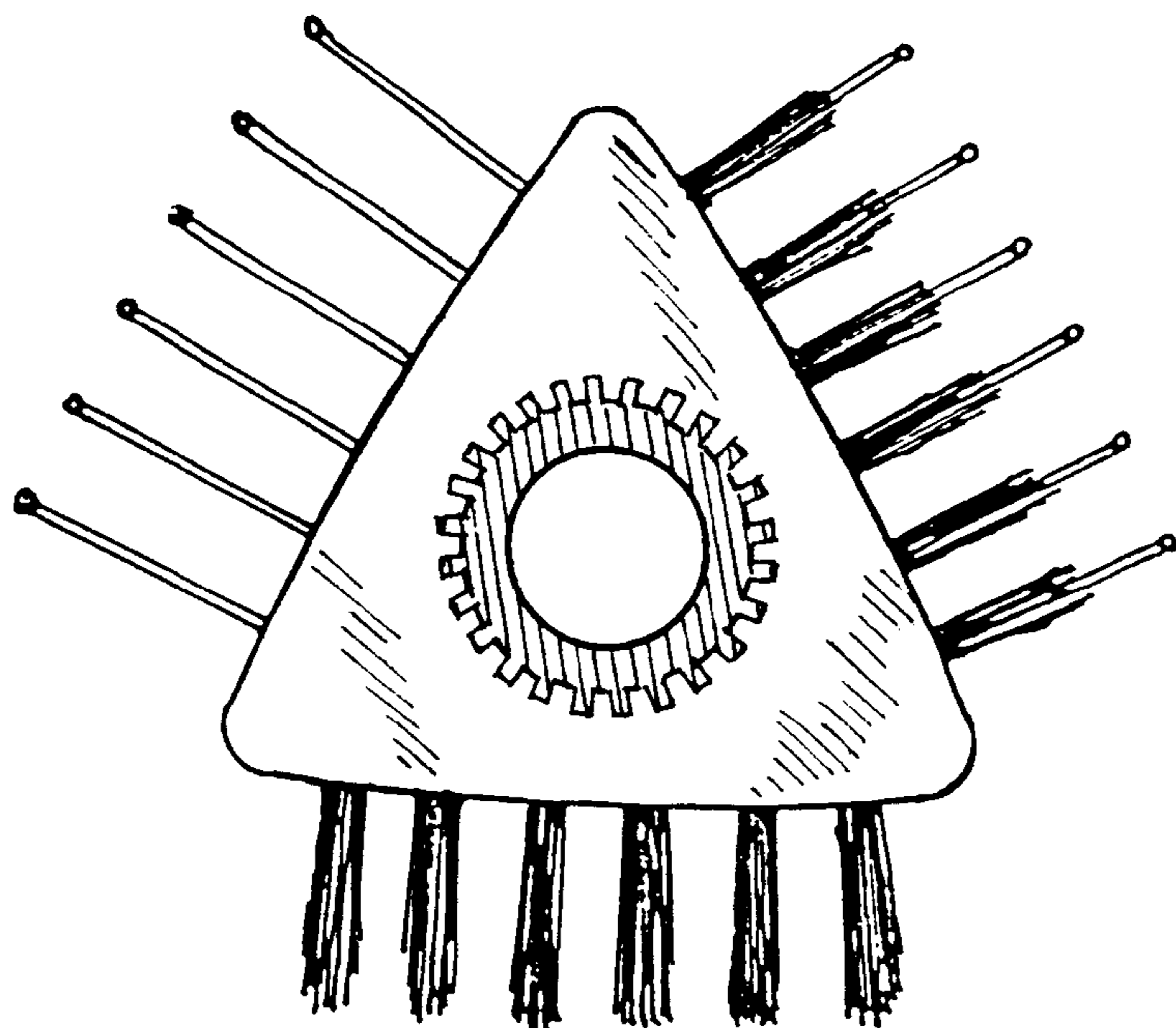


FIG. 9