



US00D472050S

(12) **United States Design Patent**
Lacy et al.

(10) **Patent No.:** **US D472,050 S**

(45) **Date of Patent:** **** Mar. 25, 2003**

(54) **WOODEN BASKET**

(75) Inventors: **Sun Lacy**, Newark, OH (US); **Leane Lefever**, Frazzysburg, OH (US); **Jerry Williamson**, Coshocton, OH (US); **Vicki Lahna**, Coshocton, OH (US); **Jack Hindel**, Frazzysburg, OH (US)

(73) Assignee: **The Longaberger Company**, Newark, OH (US)

(**) Term: **14 Years**

(21) Appl. No.: **29/143,654**

(22) Filed: **Jun. 18, 2001**

(51) **LOC (7) Cl.** **03-01**

(52) **U.S. Cl.** **D3/306**

(58) **Field of Search** D3/304, 306-309,
D3/312, 277, 226, 232, 234, 240; 220/676;
217/122, 125

(56) **References Cited**

U.S. PATENT DOCUMENTS

12,676	A	*	4/1855	Ryan	217/122
729,981	A	*	6/1903	Walker	217/125
1,683,507	A	*	9/1928	Weber	217/122
2,787,821	A	*	4/1957	Shukait	217/122
3,302,679	A	*	2/1967	Padovani	217/125
D426,060	S	*	6/2000	Chapelier	D3/232
D434,227	S	*	11/2000	Lacy et al.	D3/306

OTHER PUBLICATIONS

Coe-Dru Catalog 1982, p. 22 #7024 bamboo oval tray with handles and p. 23 #5020 bamboo bread basket.*

Legend of the Bushwacker Basket, by Martha Wetherbee c. 1986 p. 48.*

Longaberger Basket Catalog 1988, p. 4 asst. market and bread baskets.*

* cited by examiner

Primary Examiner—Louis S. Zarfes

Assistant Examiner—Deanne Levy

(74) *Attorney, Agent, or Firm*—Porter Wright Morris & Arthur LLP

(57) **CLAIM**

The ornamental design of wooden basket, as shown and described.

DESCRIPTION

FIG. 1 is a perspective view of a wooden basket showing our new design;

FIG. 2 is a front view thereof;

FIG. 3 is a right side view thereof;

FIG. 4 is a rear view thereof;

FIG. 5 is a left side view thereof;

FIG. 6 is a top view thereof;

FIG. 7 is a bottom view thereof;

FIG. 8 is a perspective view of another embodiment of a wooden basket showing our new design;

FIG. 9 is a front view thereof;

FIG. 10 is a right side view thereof;

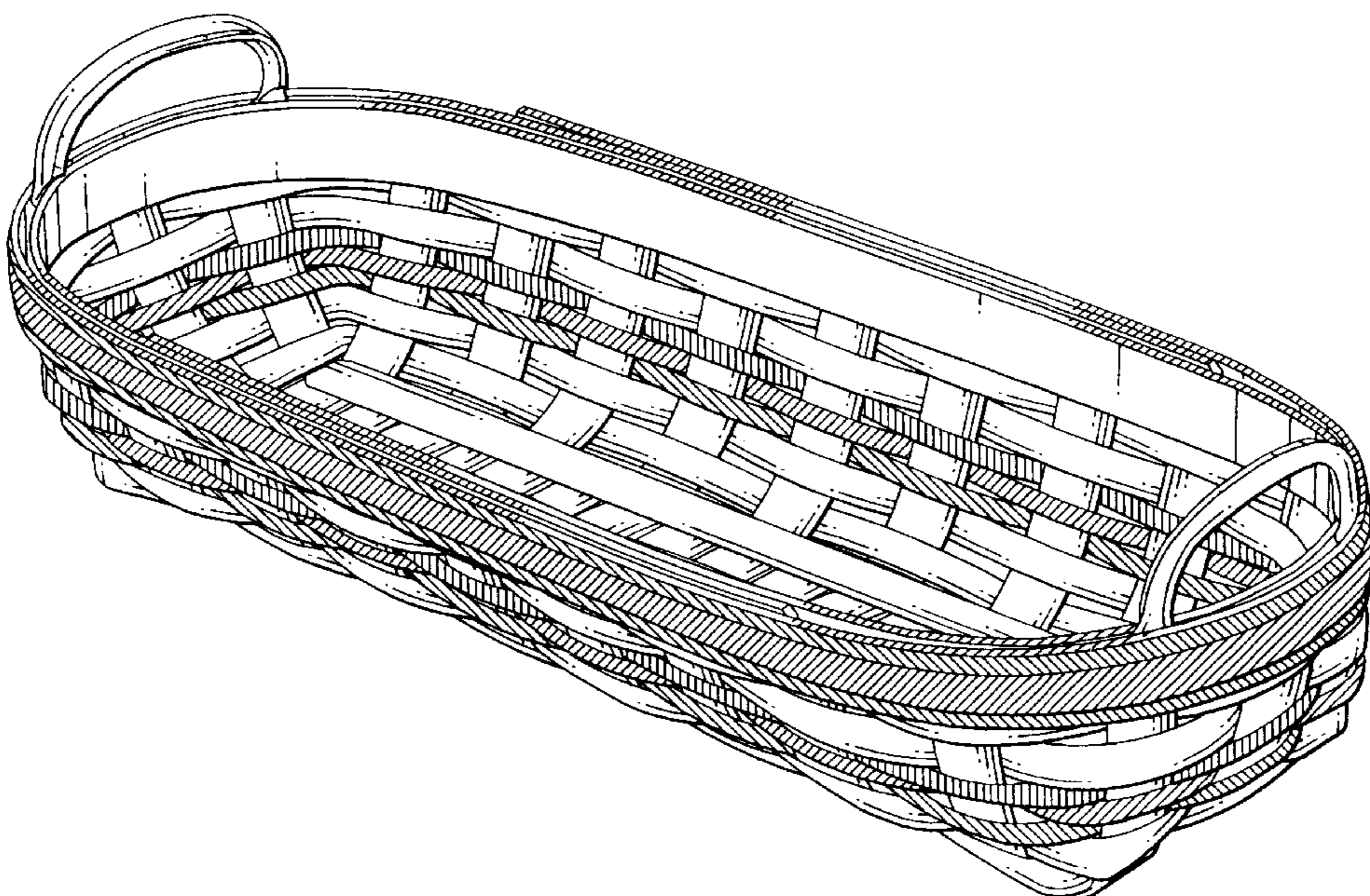
FIG. 11 is a rear view thereof;

FIG. 12 is a left side view thereof;

FIG. 13 is a top view thereof; and,

FIG. 14 is a bottom view thereof.

1 Claim, 14 Drawing Sheets



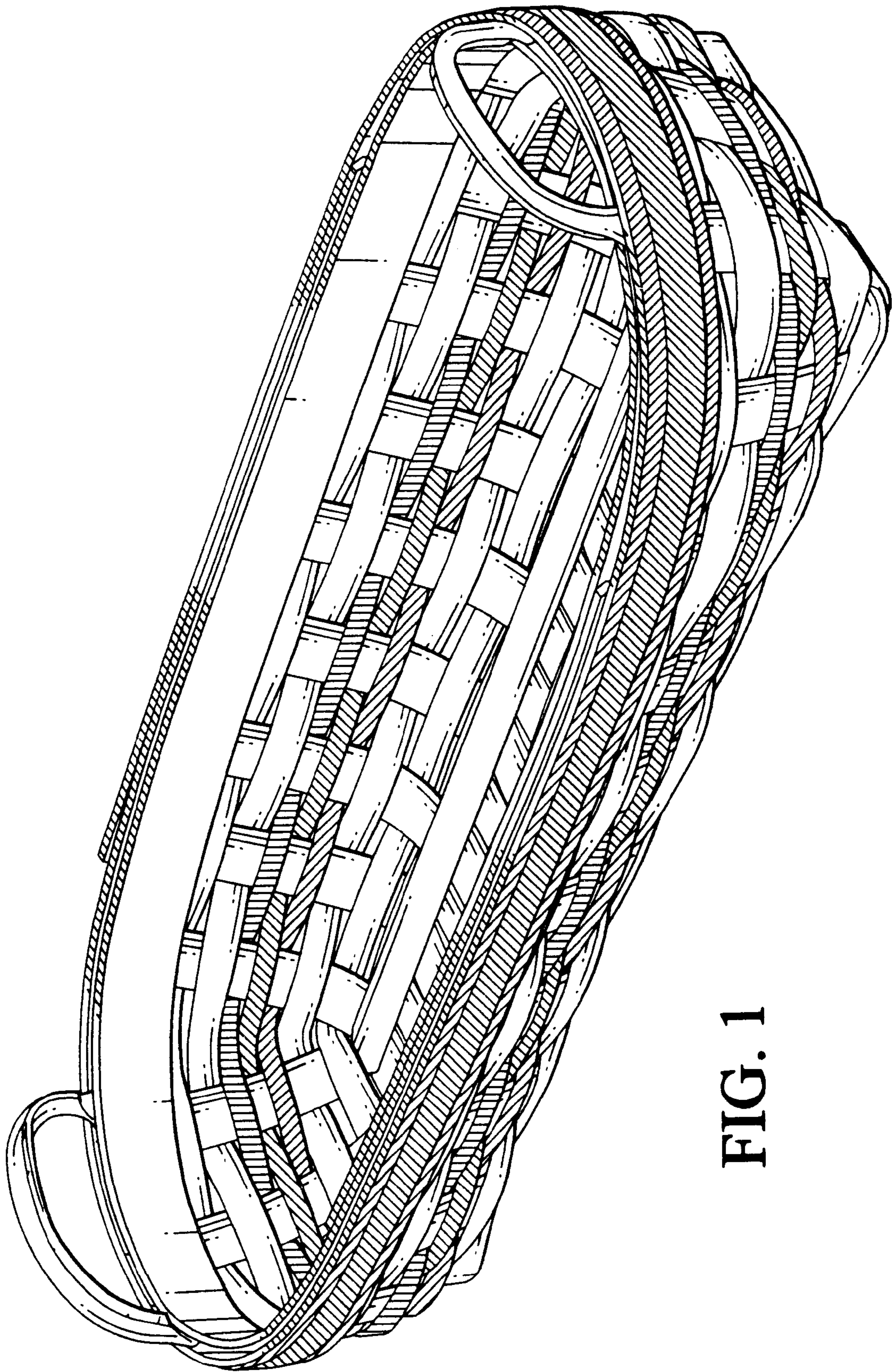


FIG. 1

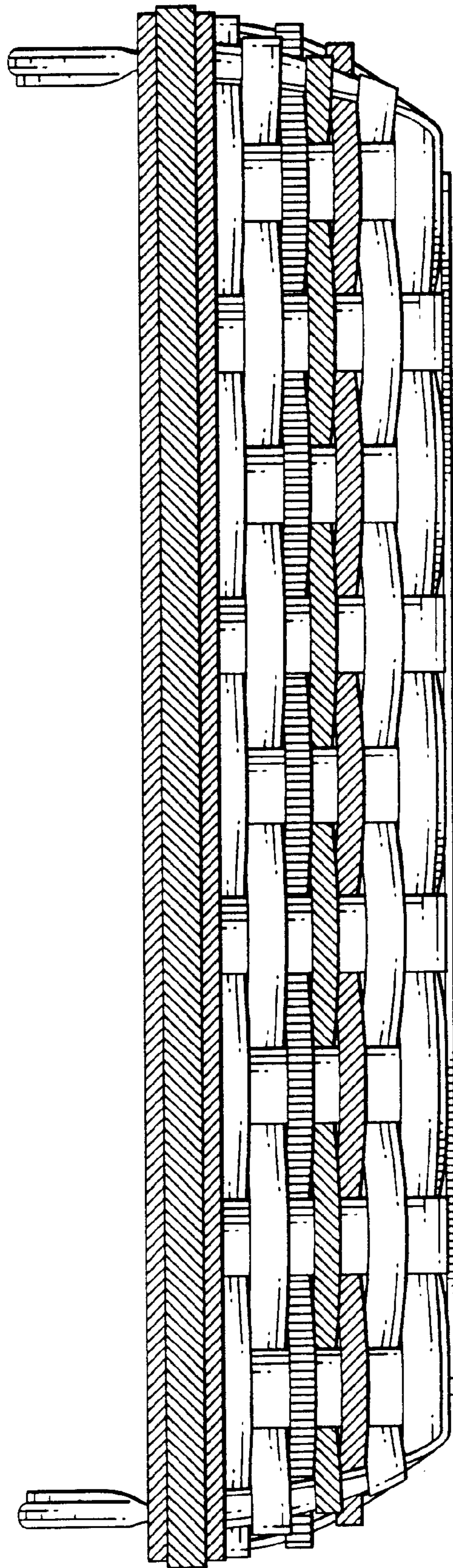


FIG. 2

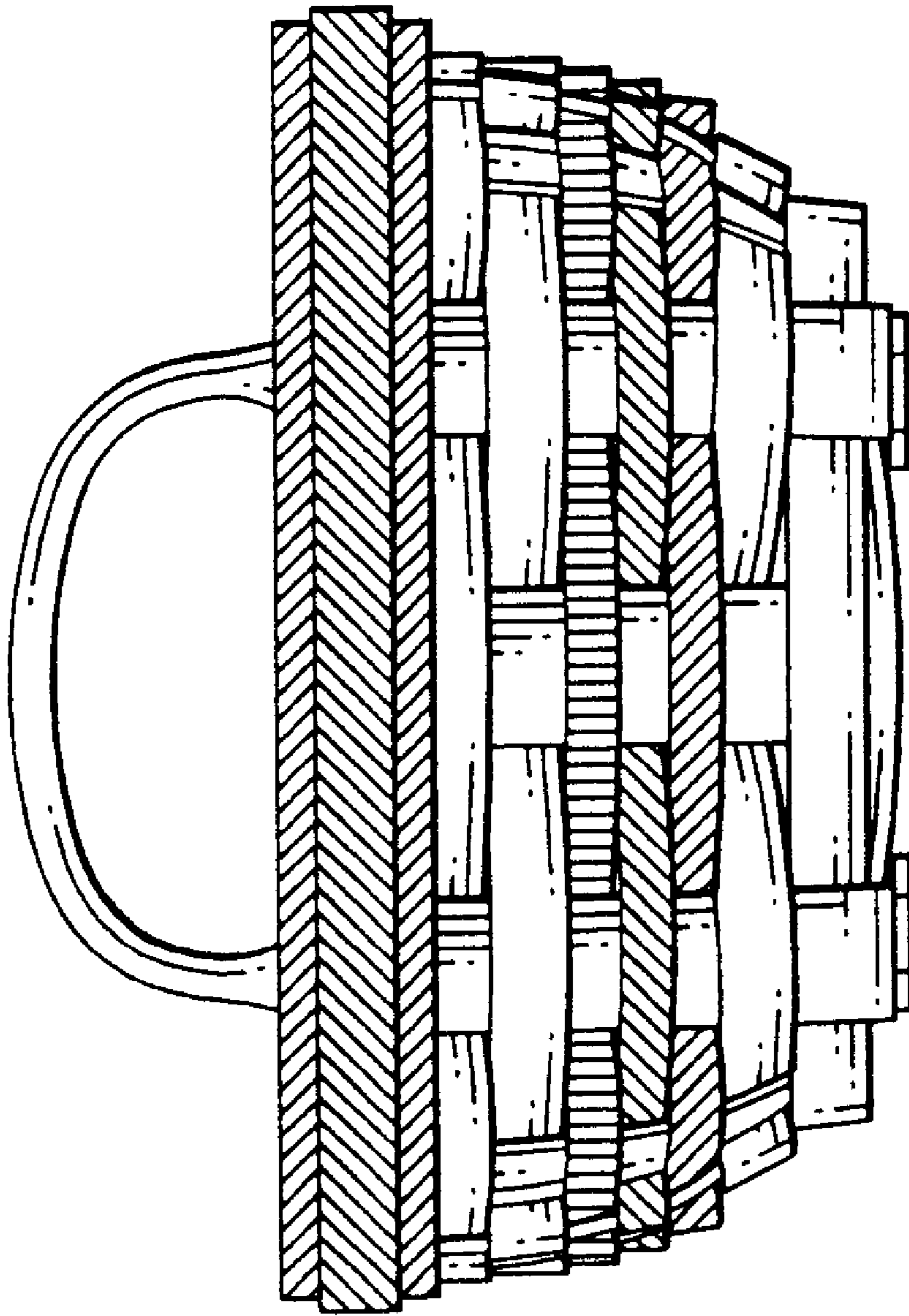


FIG. 3

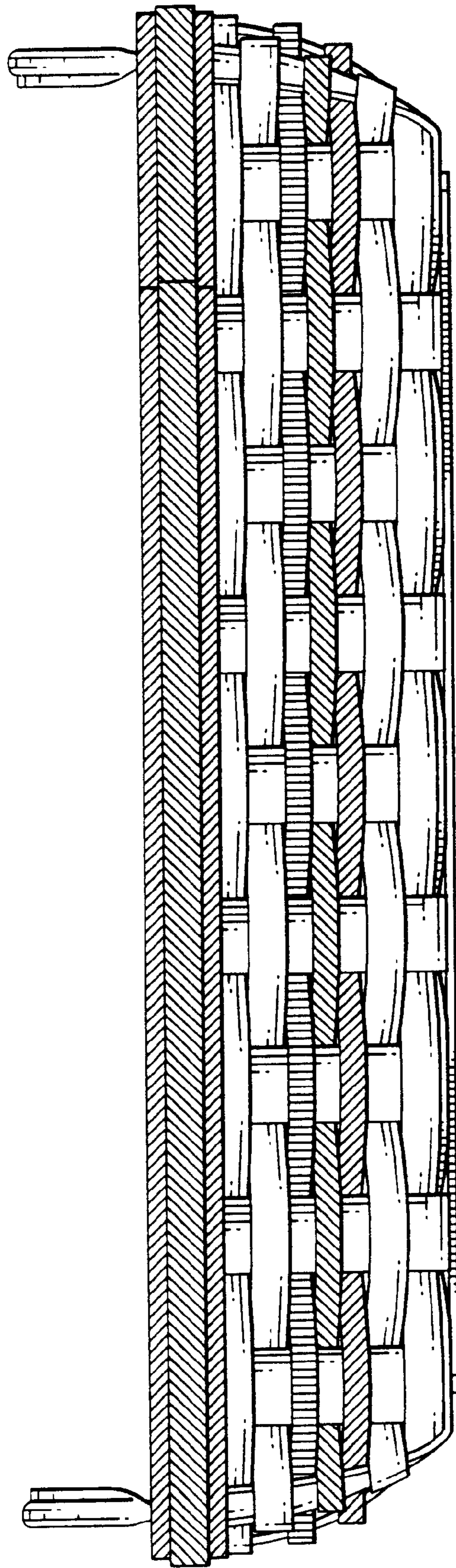


FIG. 4

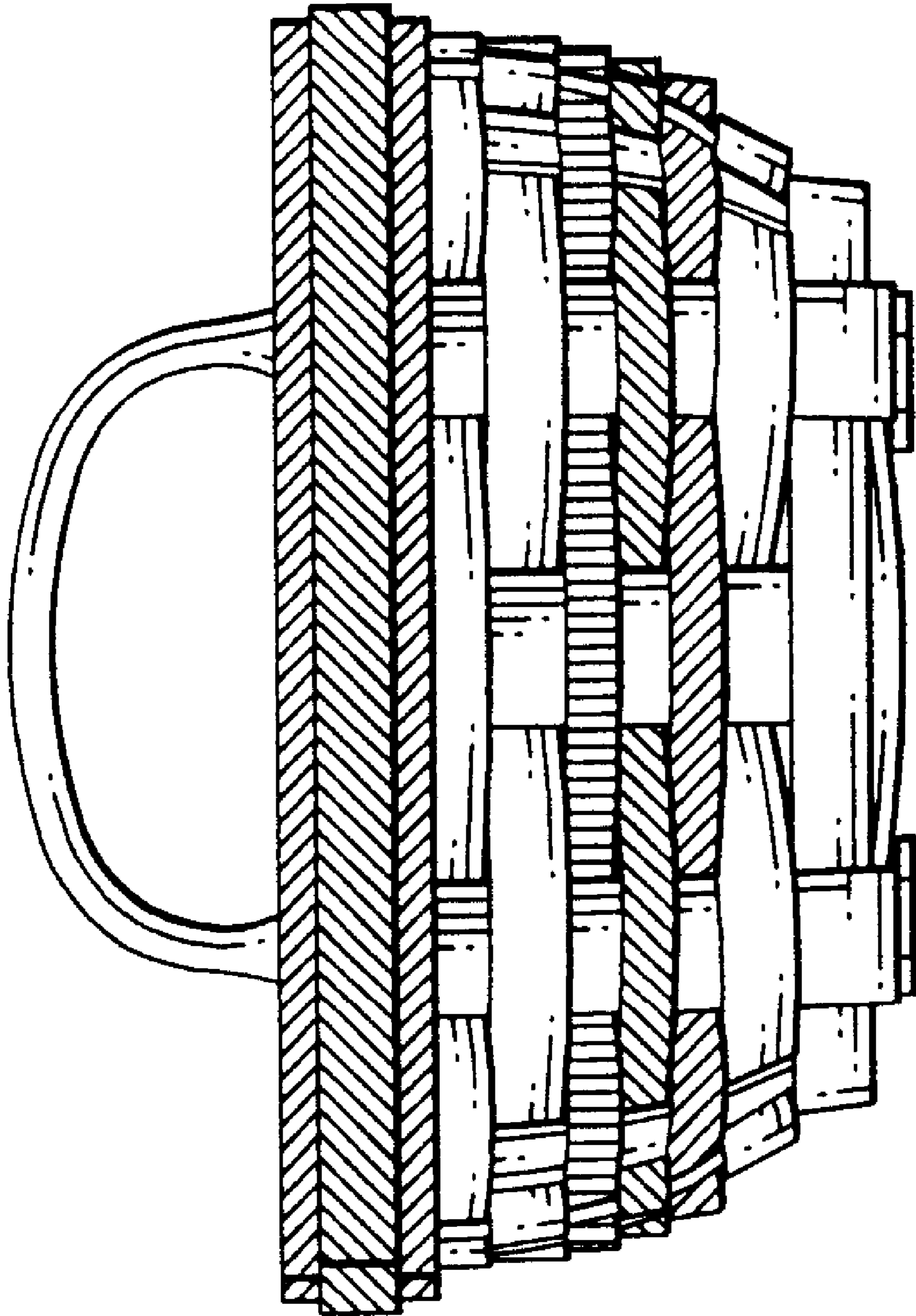


FIG. 5

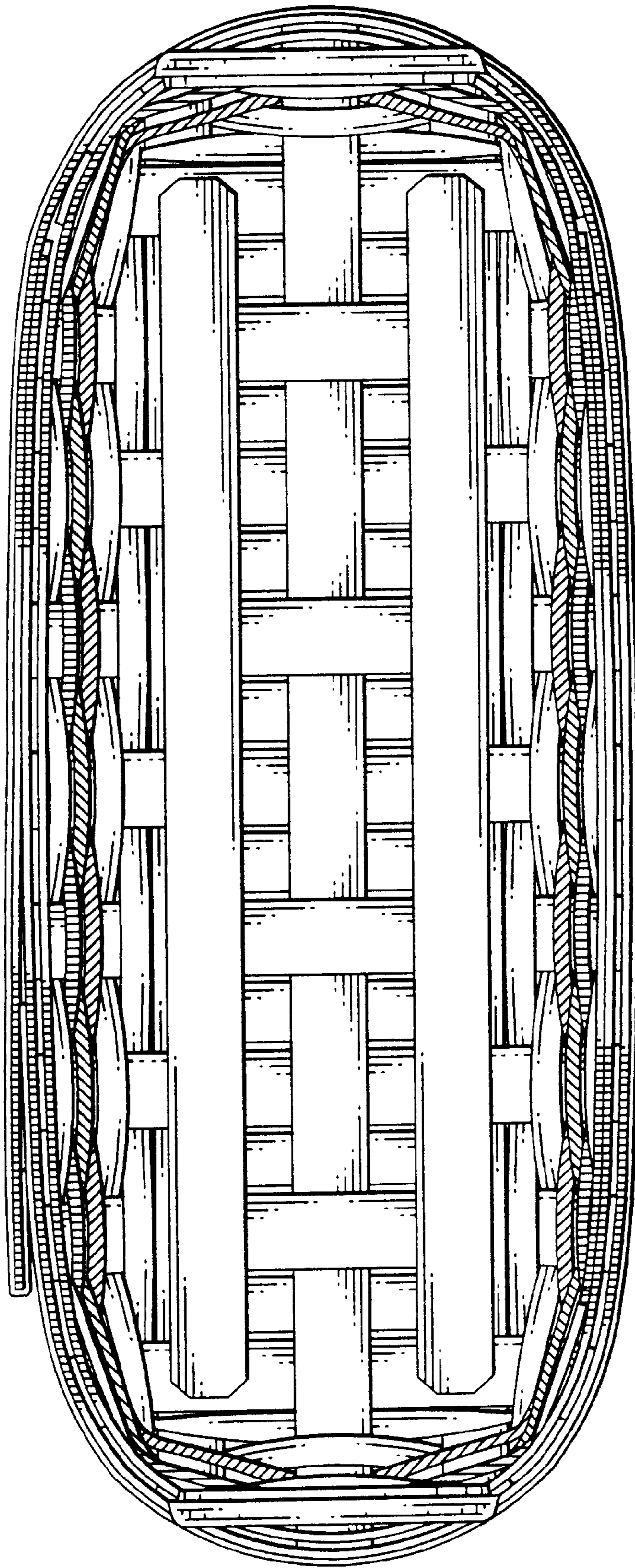


FIG. 6

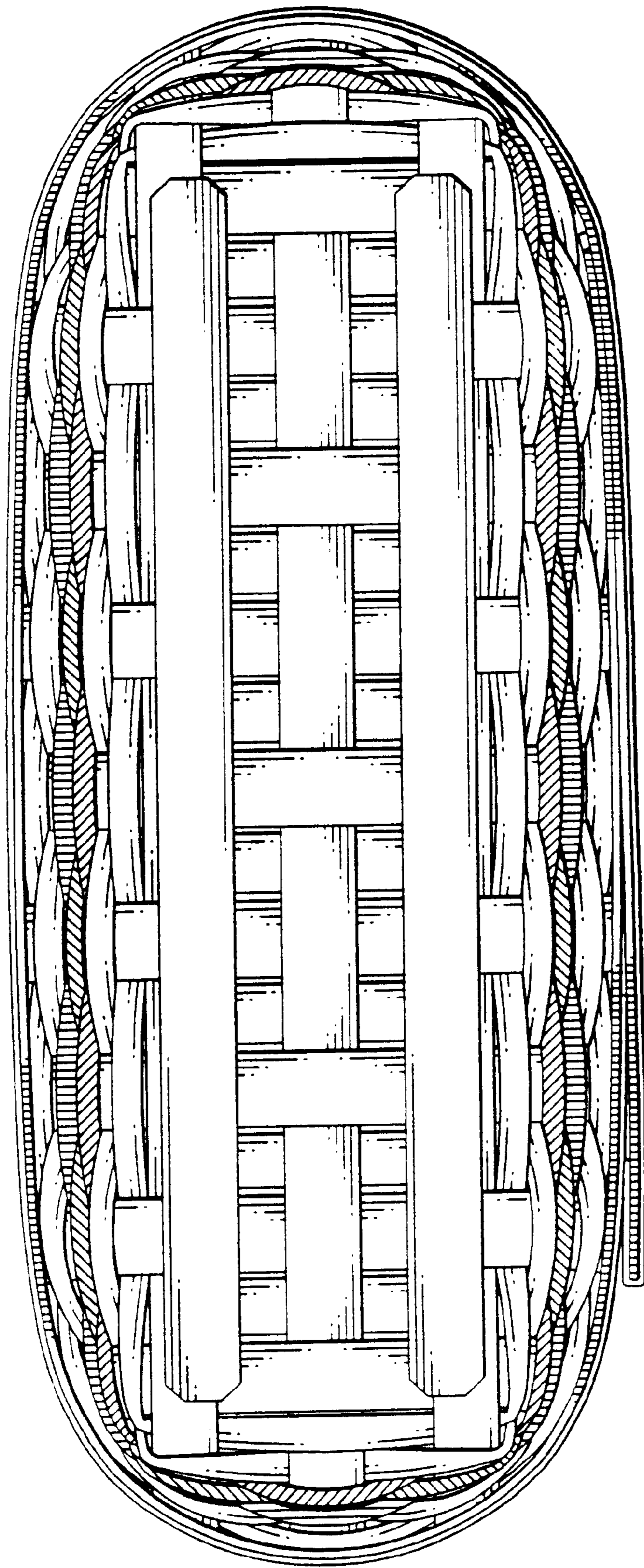


FIG. 7

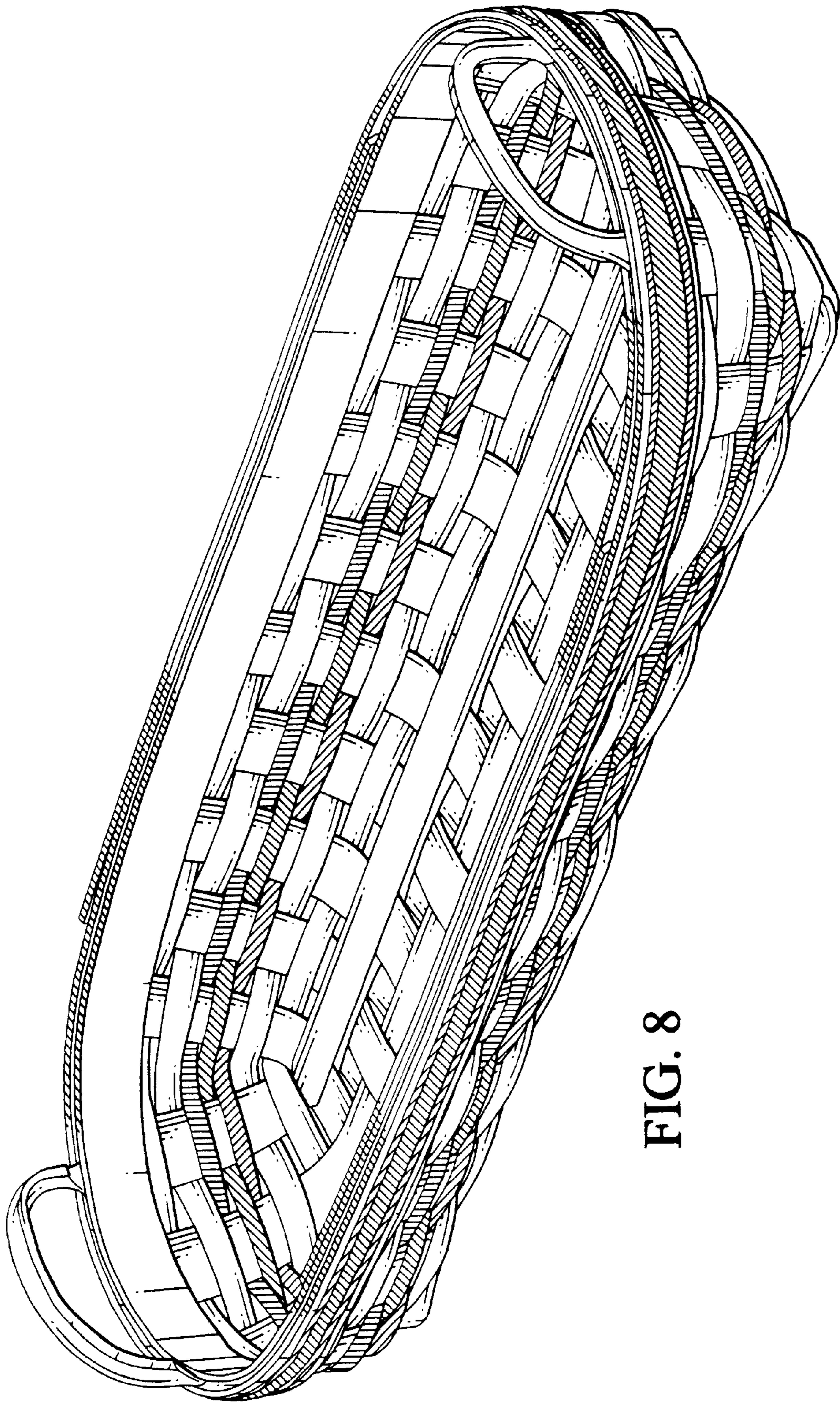


FIG. 8

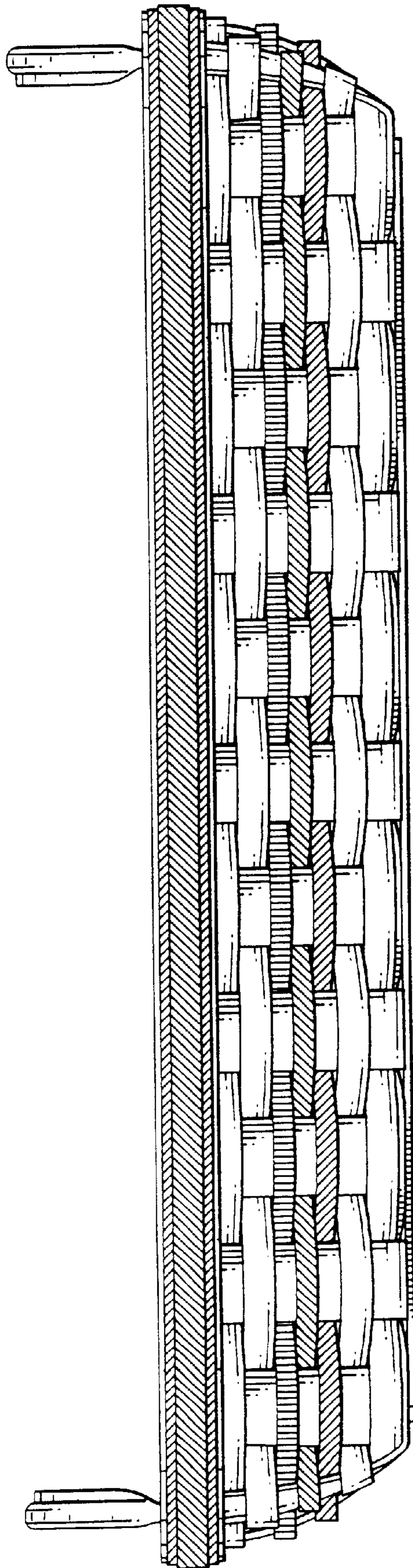


FIG. 9

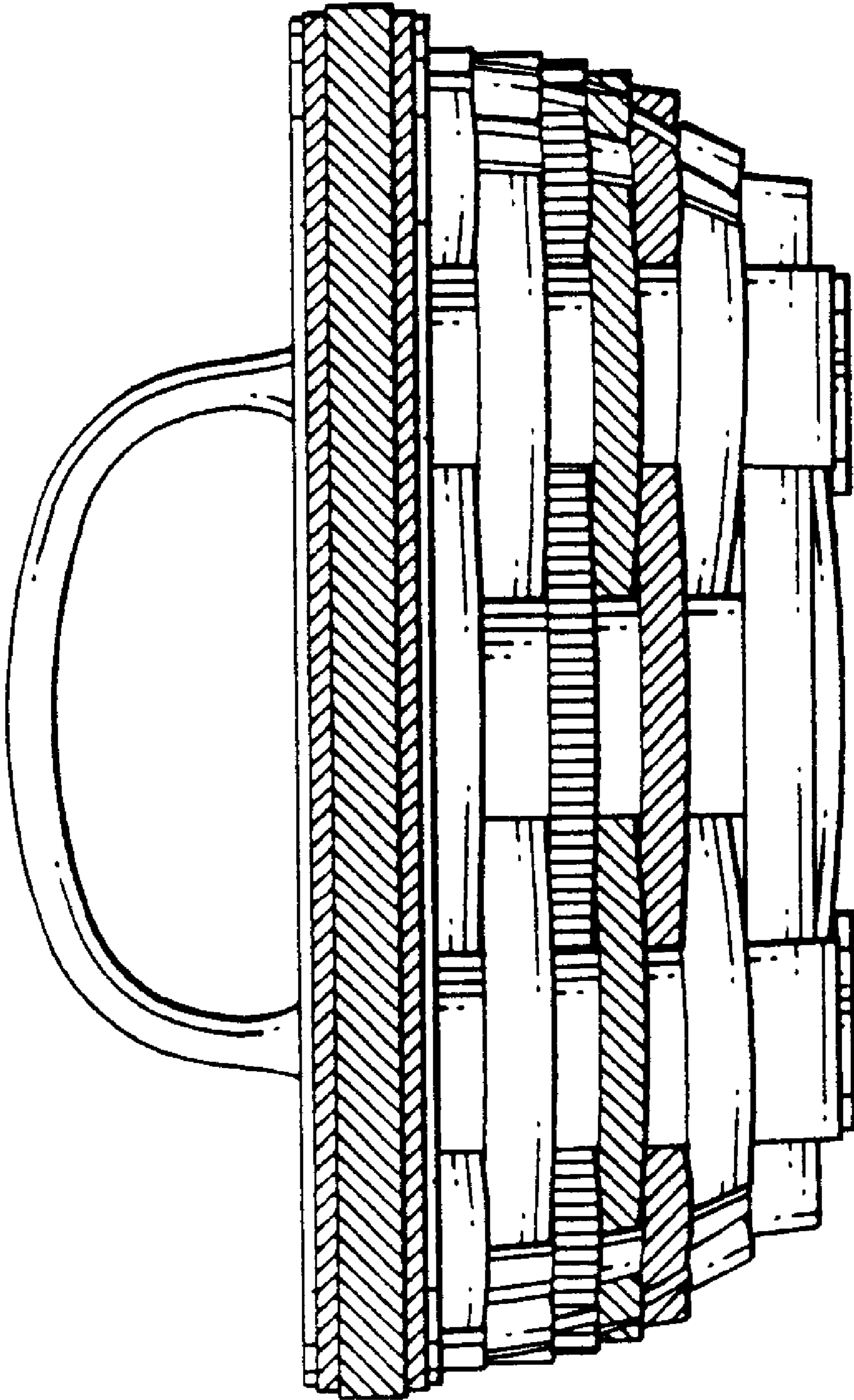


FIG. 10

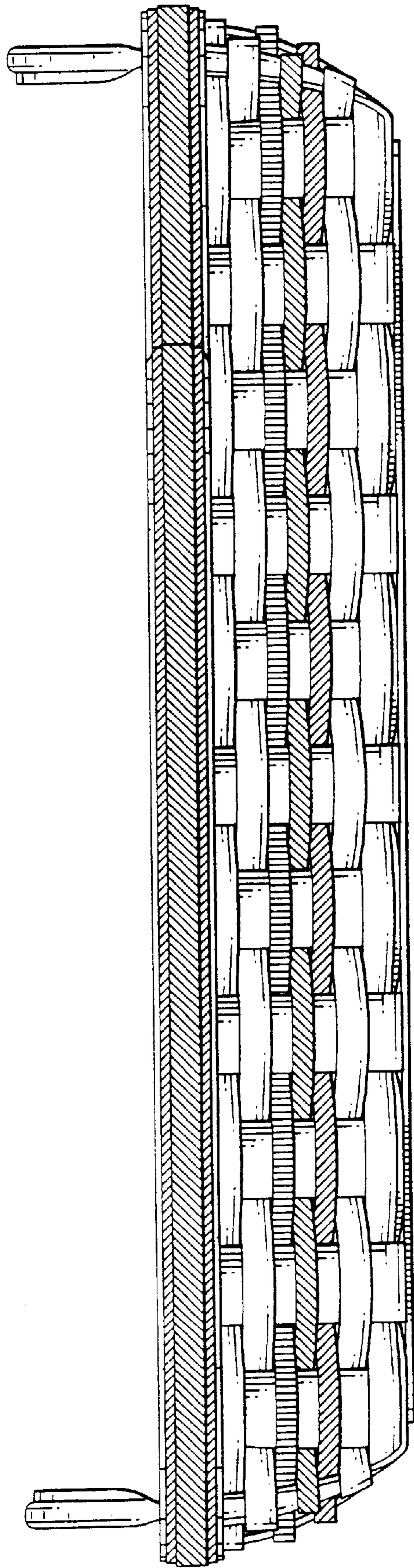


FIG. 11

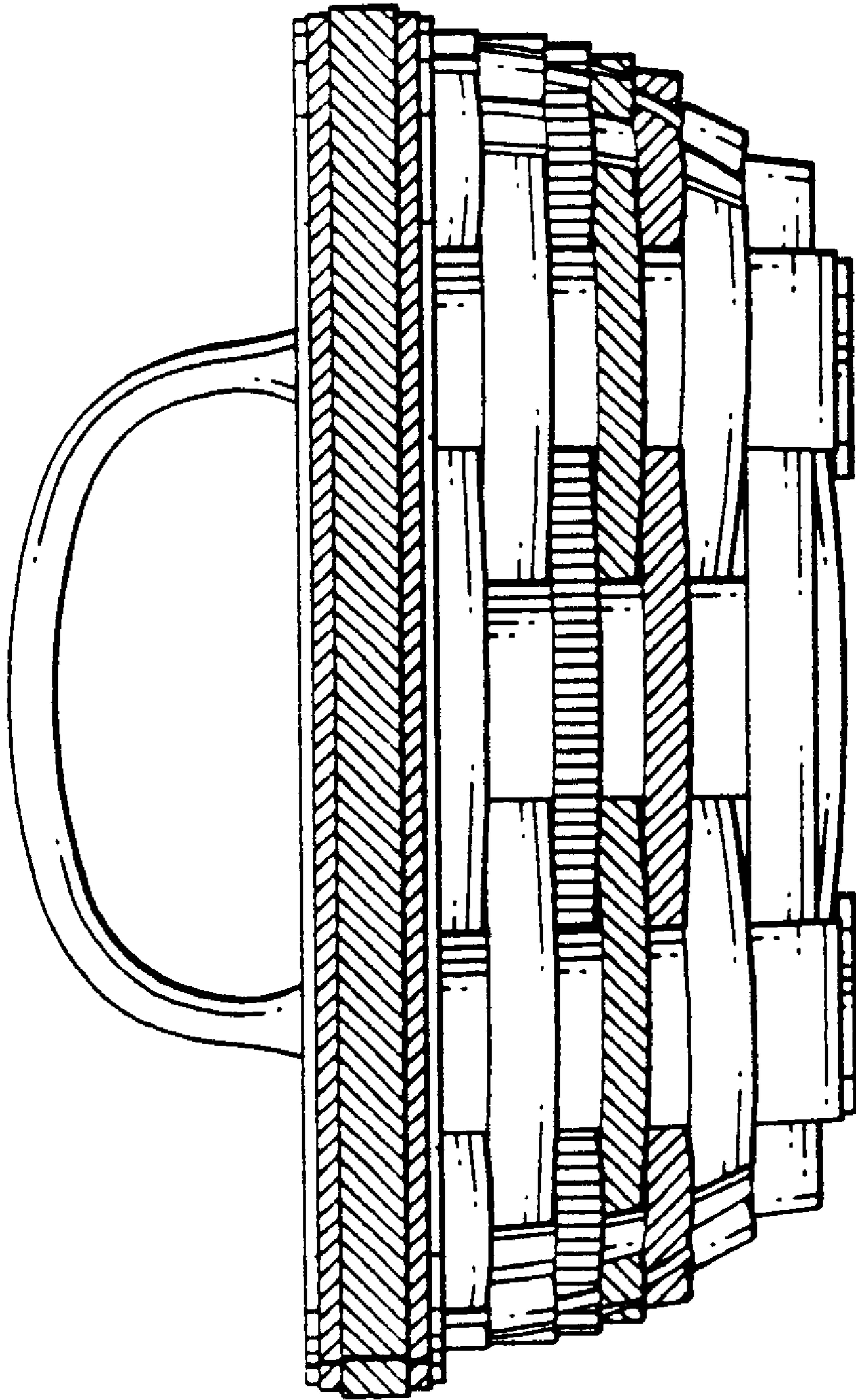


FIG. 12

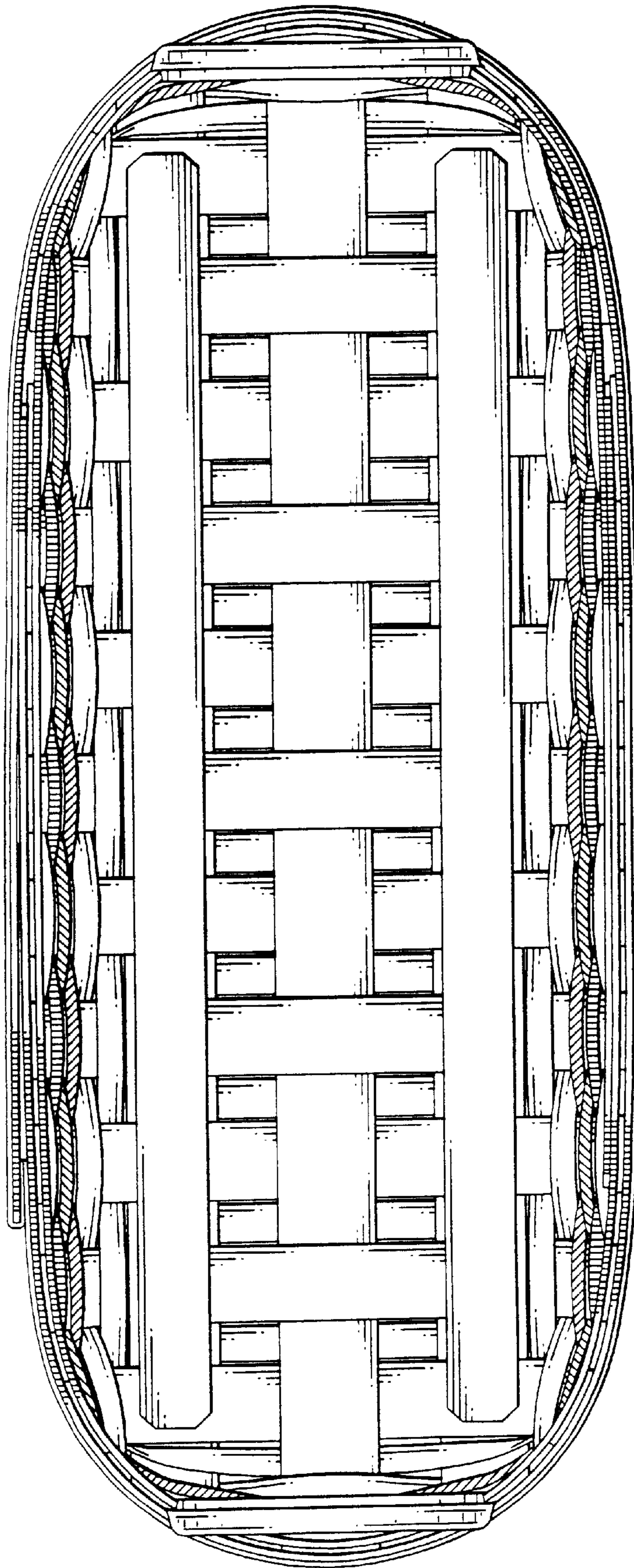


FIG. 13

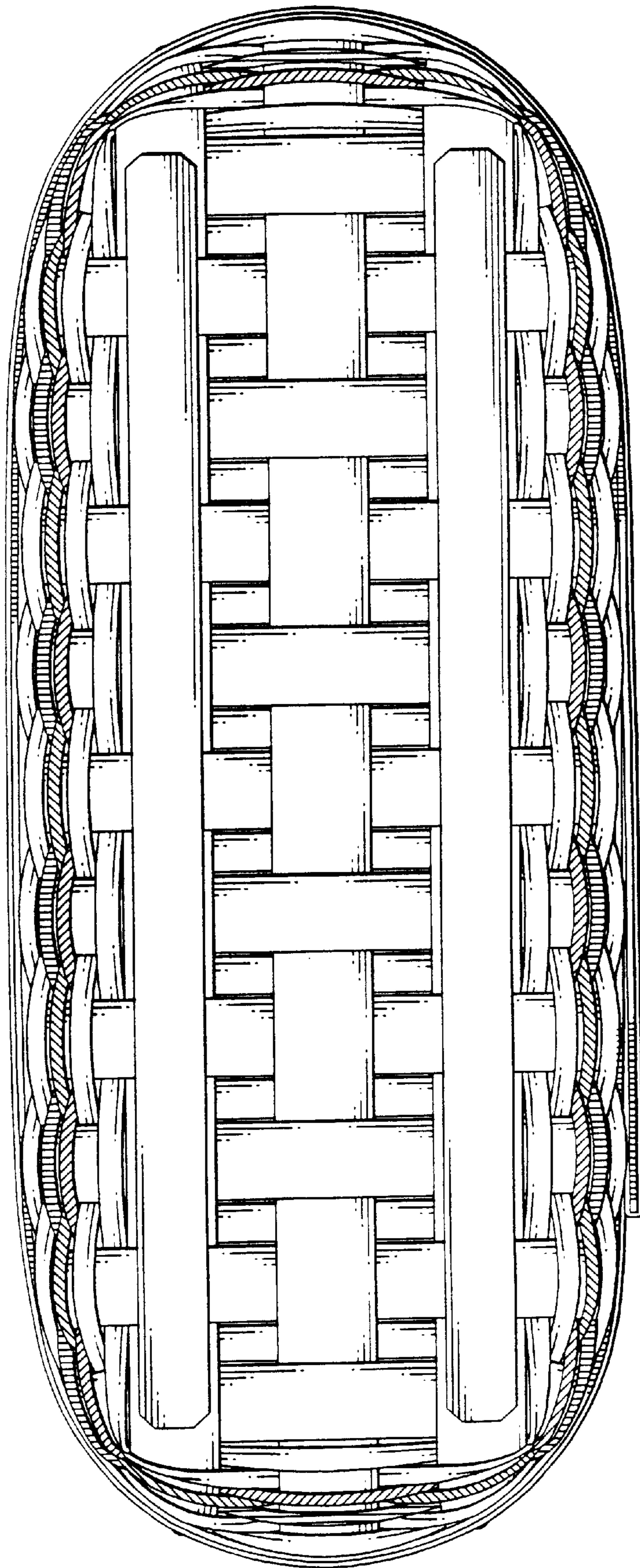


FIG. 14