



US00D472049S

(12) **United States Design Patent**  
**Murdoch et al.**

(10) **Patent No.:** **US D472,049 S**

(45) **Date of Patent:** **\*\* Mar. 25, 2003**

(54) **EQUIPMENT BAG FOR DIGITAL VIDEO-RECORDING CAMERA**

(76) Inventors: **Douglas H. Murdoch**, 2060 Woodside Dr., Santa Rosa, CA (US) 95404; **Lily S. Fisher**, 2546 Buss Dr., Santa Rosa, CA (US) 95407

(\*\*) Term: **14 Years**

(21) Appl. No.: **29/165,781**

(22) Filed: **Aug. 16, 2002**

**Related U.S. Application Data**

(62) Division of application No. 29/155,527, filed on Feb. 8, 2002.

(51) **LOC (7) Cl.** ..... **03-01**

(52) **U.S. Cl.** ..... **D3/268; D3/219; D3/263; D3/267**

(58) **Field of Search** ..... D3/208, 215, 219, D3/225, 226, 243, 263, 267, 268, 273, 276, 283, 285, 287, 289, 290, 301; D7/607; 206/316.1, 316.2; 224/583, 612, 908

(56) **References Cited**

**U.S. PATENT DOCUMENTS**

2,960,137	A	*	11/1960	Lipsitz	
D249,824	S	*	10/1978	Koszegi	D3/268
D257,906	S	*	1/1981	Weinreb	D3/268
D268,879	S	*	5/1983	Outcalt	D3/268
D269,227	S	*	6/1983	Stark	D3/287
D273,535	S	*	4/1984	Weinreb	D3/268
D312,530	S	*	12/1990	Gallen et al.	D3/268
D325,128	S	*	4/1992	Cyr et al.	D3/287
5,201,867	A	*	4/1993	Morszeck	206/316.2
D340,574	S	*	10/1993	Weinreb	D3/268
5,267,679	A	*	12/1993	Kamaya et al.	
5,356,004	A	*	10/1994	Weinreb	206/316.2
D435,342	S	*	12/2000	Mogil	D3/283
D447,631	S	*	9/2001	Hillman	D3/289

D454,428	S	*	3/2002	Hillman	D3/219
D455,547	S	*	4/2002	Hillman	D3/219
D457,723	S	*	5/2002	Tyler	D3/267
D458,024	S	*	6/2002	Tyler	D3/267
D458,447	S	*	6/2002	Tyler	D3/267
D459,879	S	*	7/2002	Tyler	D3/267
D460,256	S	*	7/2002	Hillman	D3/219
D460,615	S	*	7/2002	Hillman	D3/219

\* cited by examiner

*Primary Examiner*—Celia Murphy

(74) *Attorney, Agent, or Firm*—R. Dabney Eastham

(57) **CLAIM**

We claim the ornamental design for an equipment bag for digital video-recording camera, as shown and described.

**DESCRIPTION**

The bag depicted in the drawings is “soft,” meaning that is largely made of fabric, and is useful for carrying equipment and the accessories related to such equipment. An example of such equipment is a digital video-recording camera.

FIG. 1 is a front perspective view of an equipment bag for digital video-recording camera in accordance with the invention;

FIG. 2 is a front elevational view of the bag shown in FIG. 1;

FIG. 3 is a rear elevational view of the bag shown in FIG. 1;

FIG. 4 is a left side elevational view of the bag shown in FIG. 1;

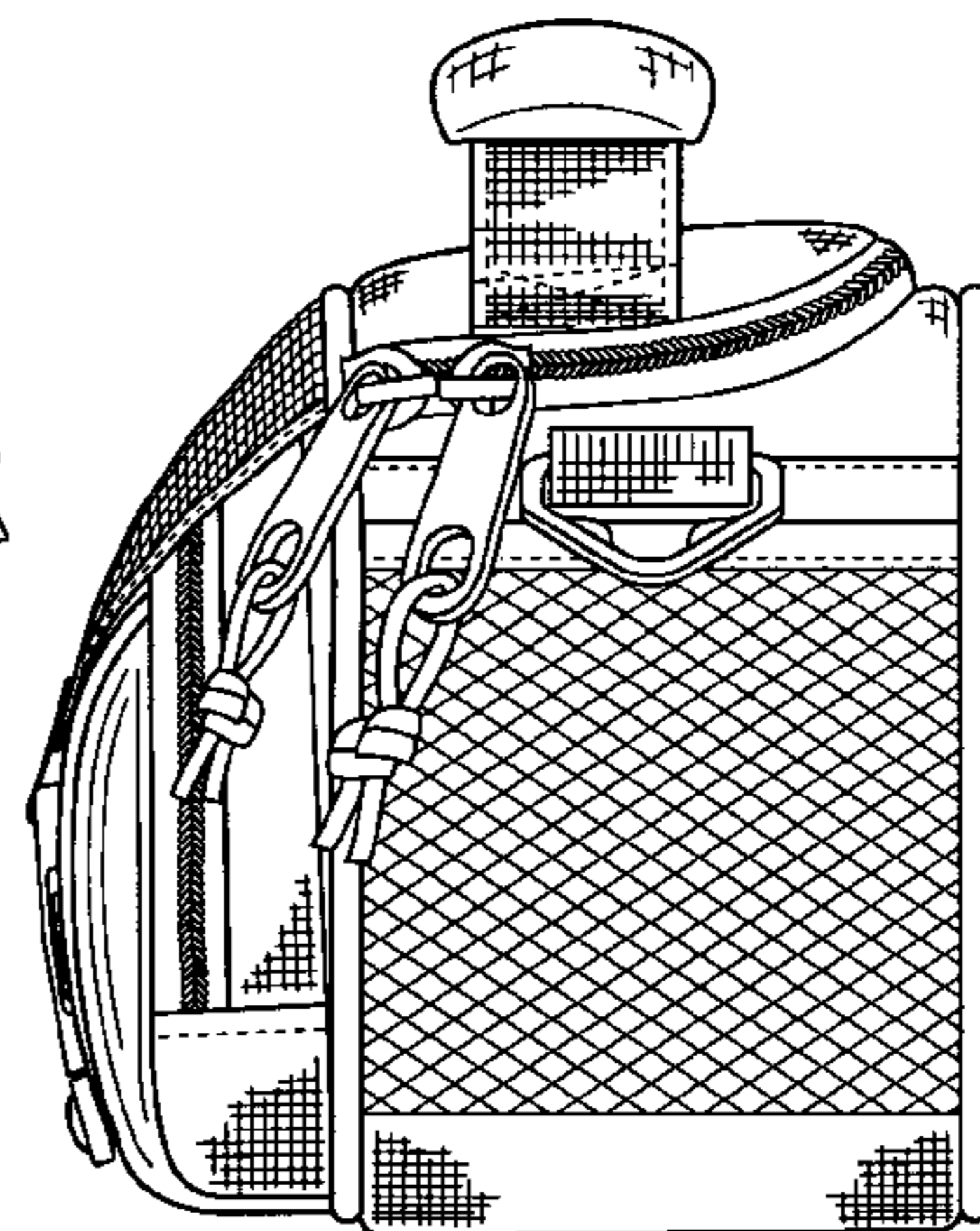
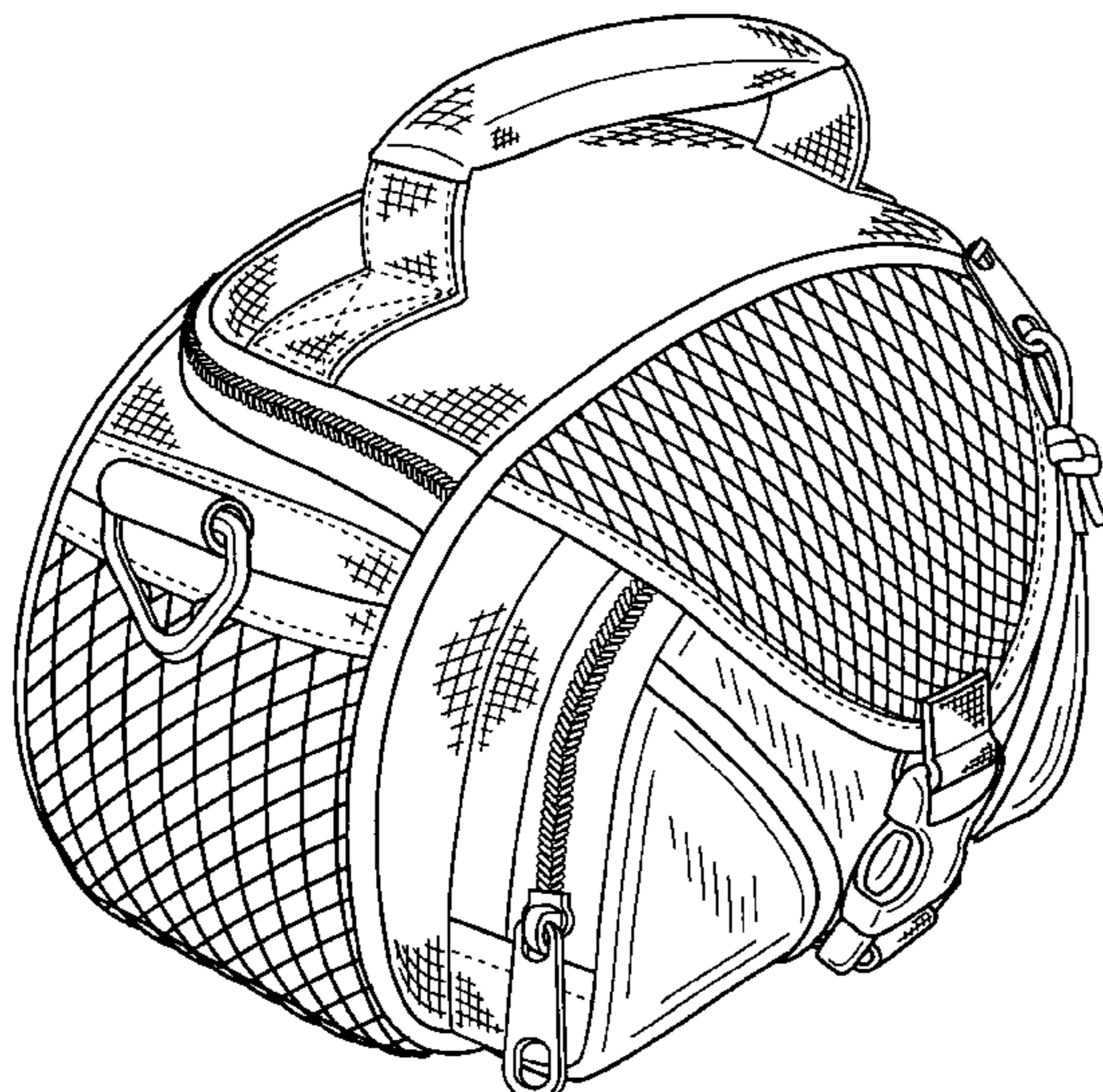
FIG. 5 is a right side elevational view of the bag shown in FIG. 1;

FIG. 6 is a plan view of the bag shown in FIG. 1; and,

FIG. 7 is a bottom side elevational view of the bag shown in FIG. 1.

The broken line shown on the edges, bottom, and handle of the bag, throughout the views, are understood to represent stitching.

**1 Claim, 4 Drawing Sheets**



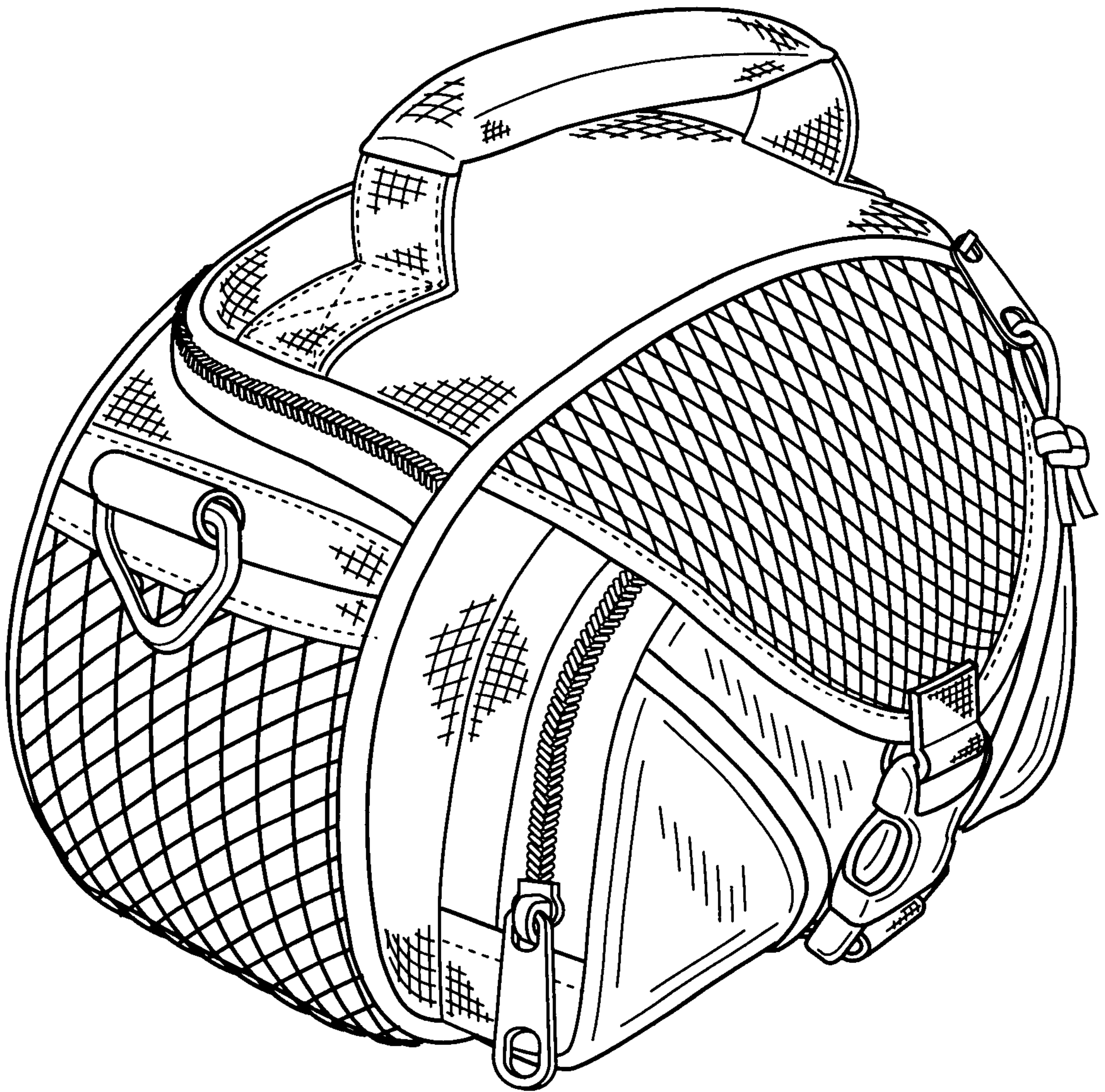


FIG. 1

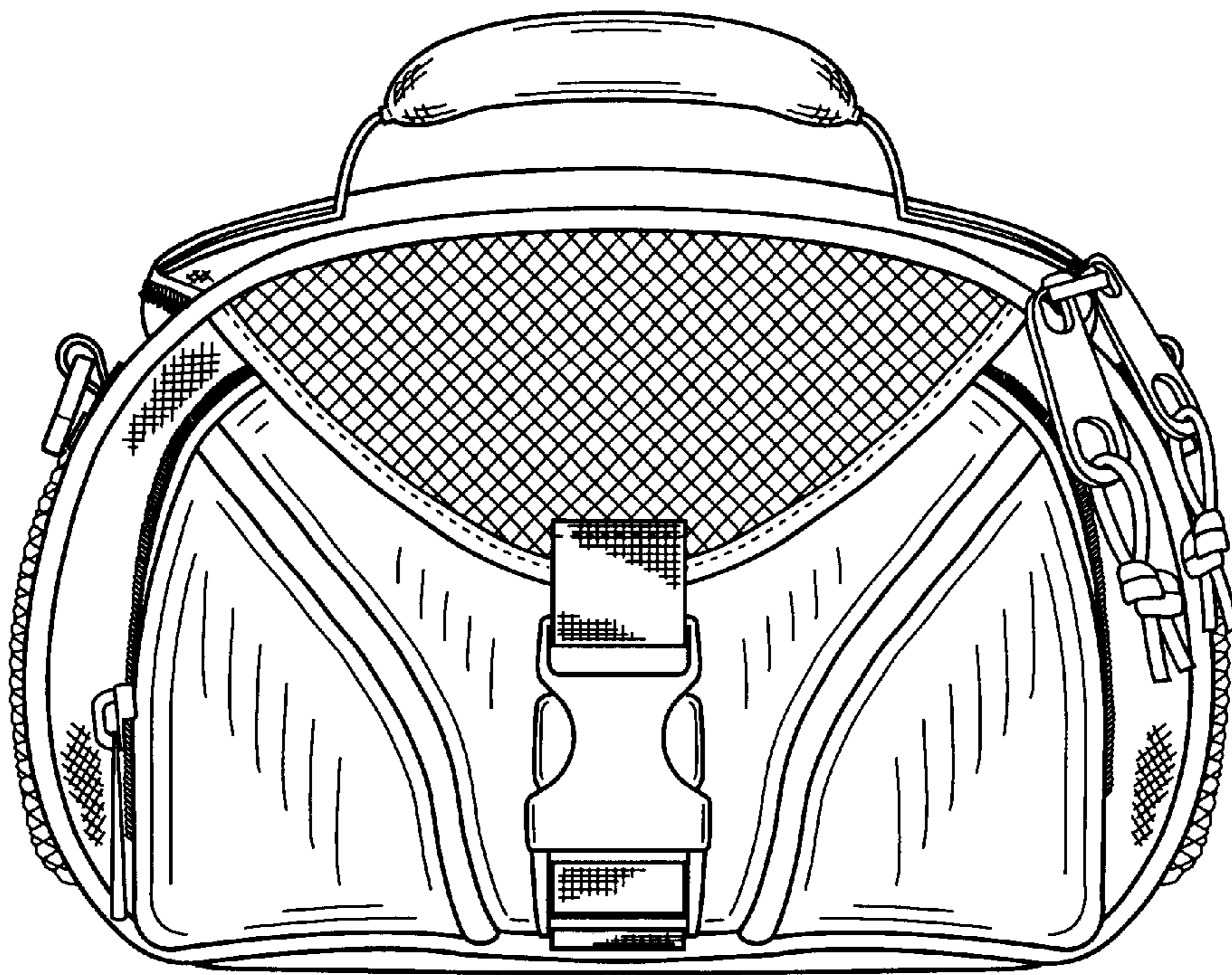


FIG. 2

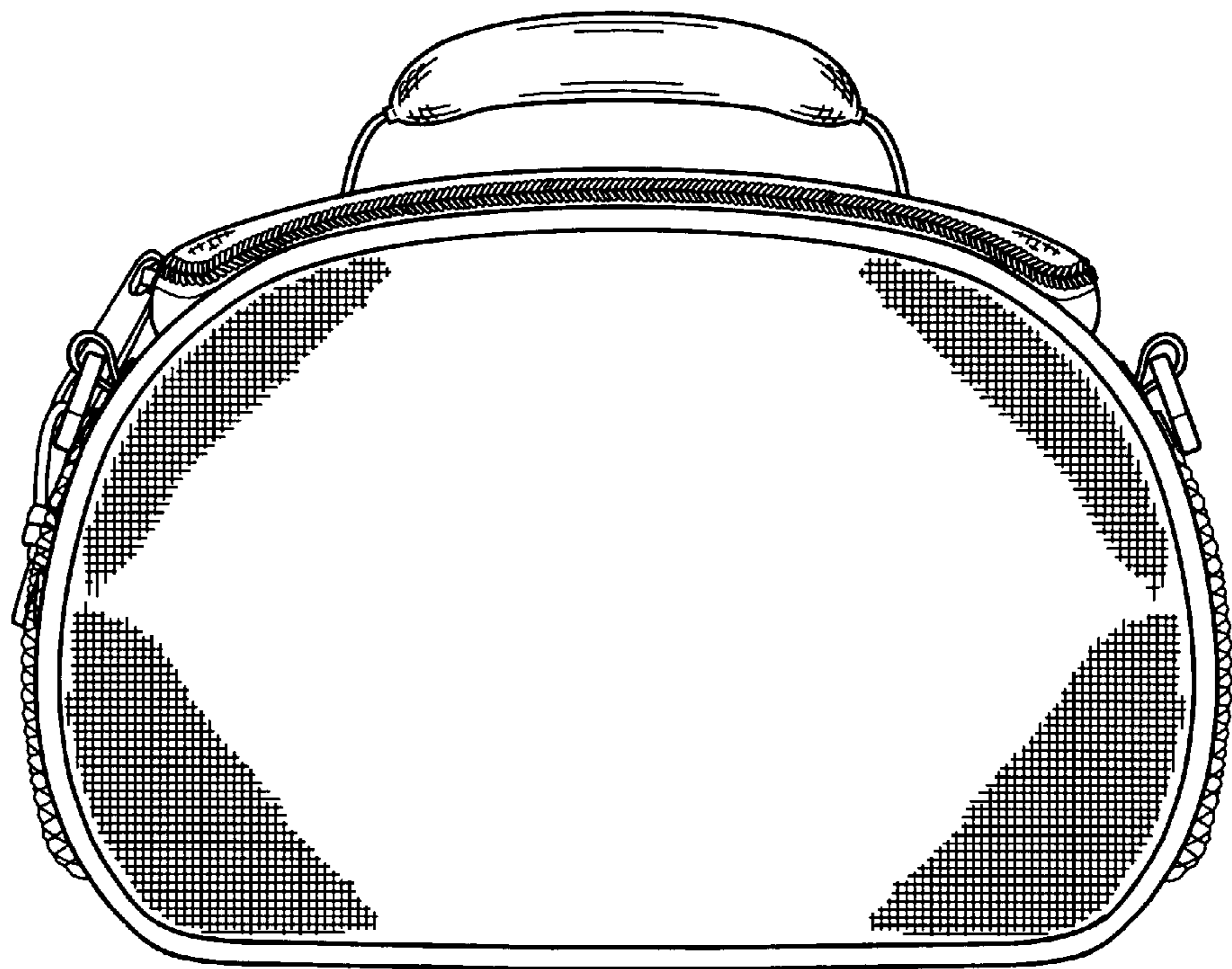


FIG. 3

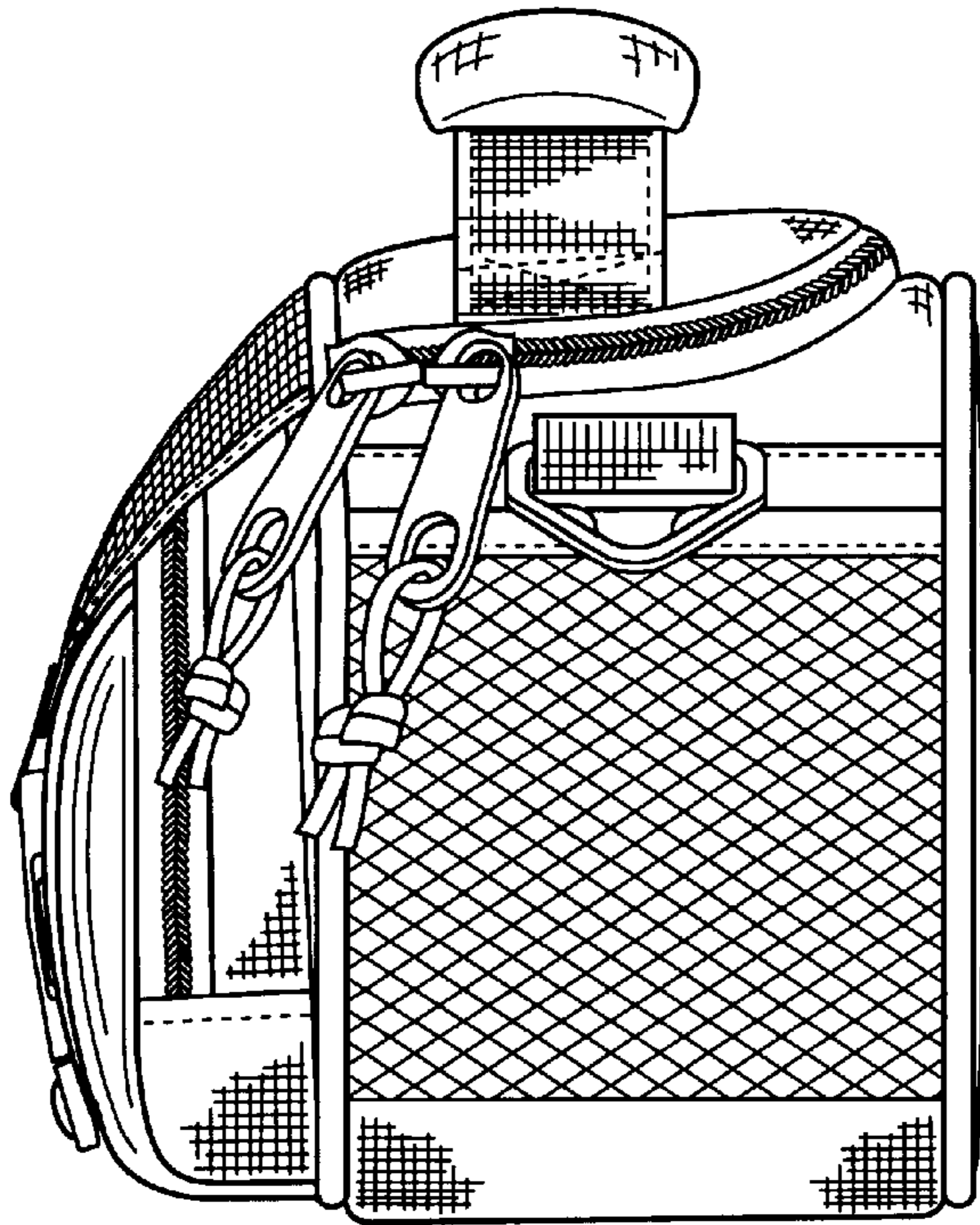


FIG. 4

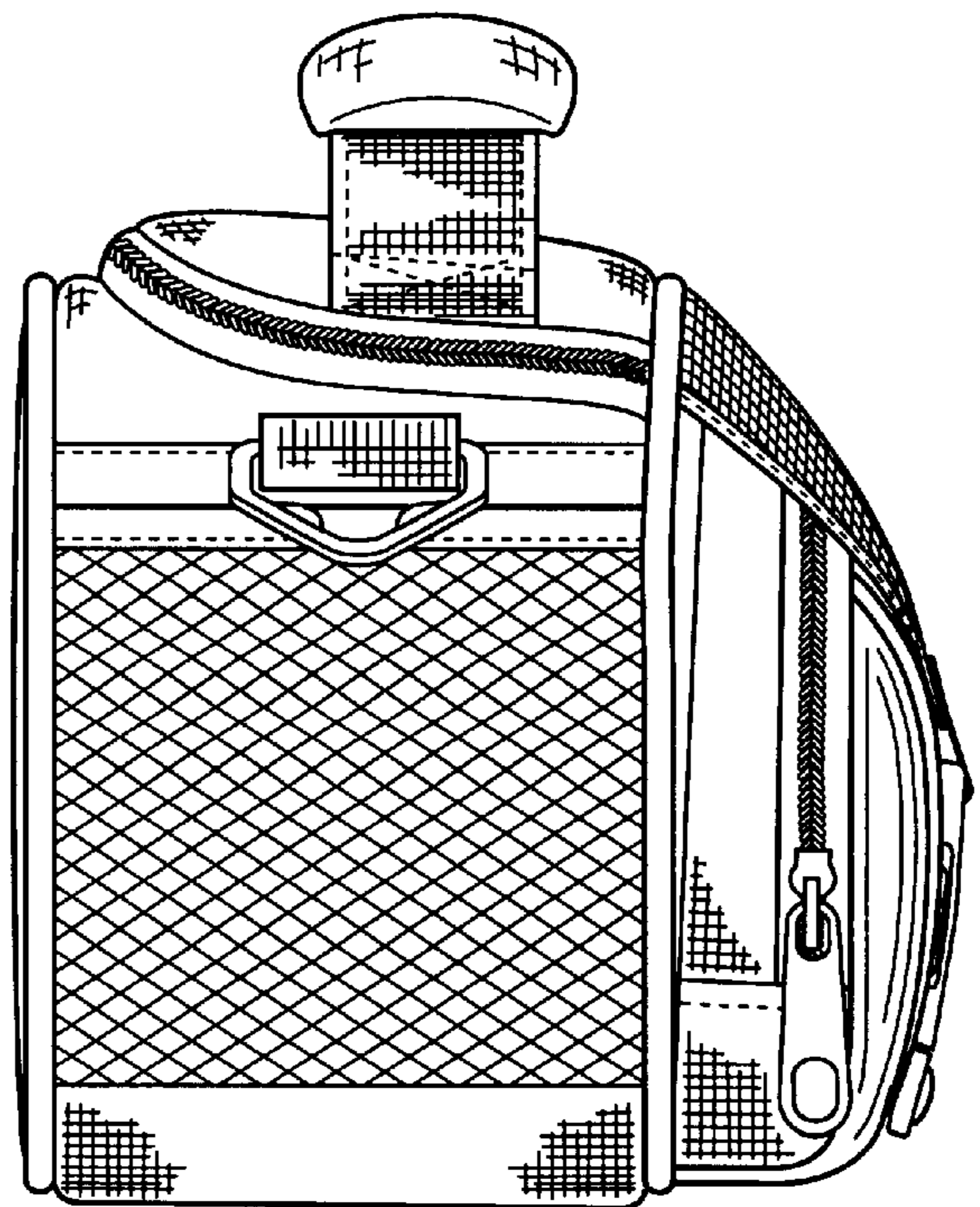


FIG. 5

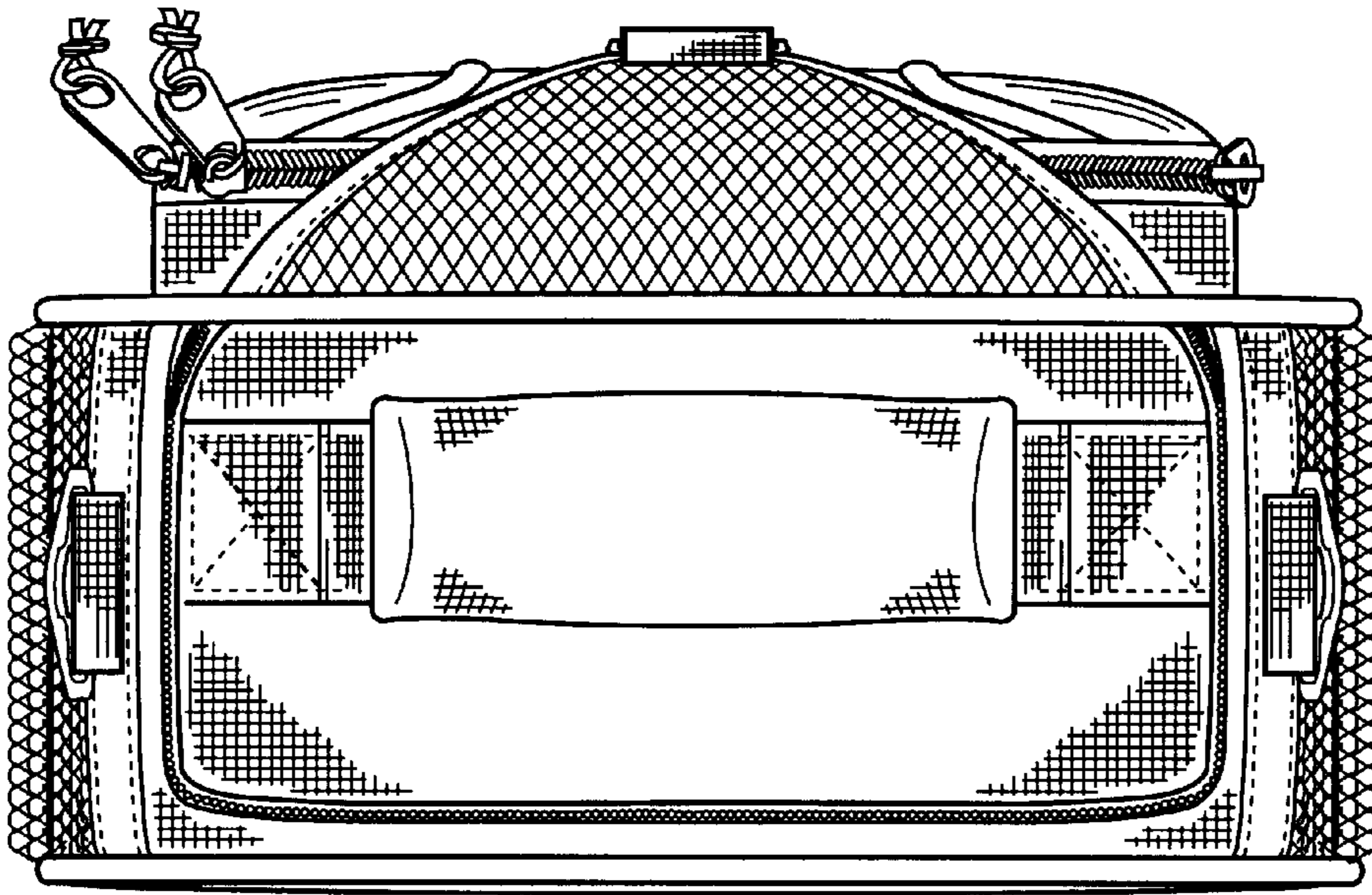


FIG. 6

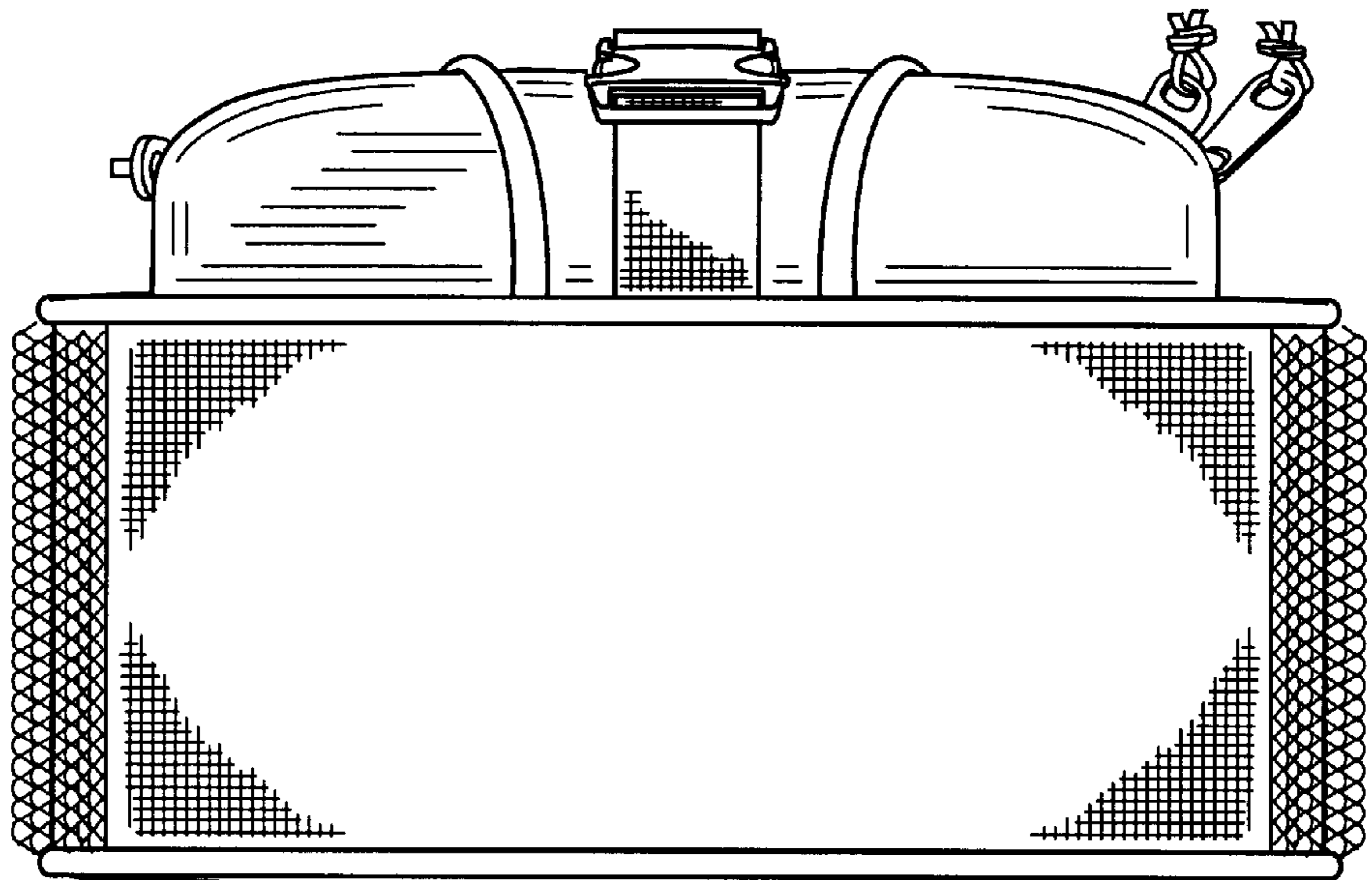


FIG. 7