



US00D472046S

(12) **United States Design Patent**
Galliano

(10) **Patent No.:** **US D472,046 S**

(45) **Date of Patent:** **** Mar. 25, 2003**

(54) **HANDBAG**

(75) Inventor: **John Galliano, Paris (FR)**

(73) Assignee: **Christian Dior Couture, S.A., Paris (FR)**

(**) Term: **14 Years**

(21) Appl. No.: **29/165,784**

(22) Filed: **Aug. 15, 2002**

(30) **Foreign Application Priority Data**

Feb. 20, 2002 (XH) DM/059 055

(51) **LOC (7) Cl.** **03-01**

(52) **U.S. Cl.** **D3/243**

(58) **Field of Search** D3/231, 232, 233, D3/234, 238, 243, 245, 246, 303, 276, 287, 289; D9/305; 383/4; 150/100, 103, 104, 106, 107, 108, 109, 110, 111, 112, 113, 114, 117, 118, 127, 128, 129, 130; 190/8, 16, 100, 102, 108, 109, 110, 111, 112, 113, 114, 115, 120, 121, 124, 125, 126, 127; 224/42.11, 153, 155, 191, 236, 255, 408, 413, 417, 420, 422, 427, 429, 430, 579, 582, 610

(56) **References Cited**

U.S. PATENT DOCUMENTS

4,153,092 A	*	5/1979	Haslam	224/579 X
D254,343 S	*	3/1980	Babcock	224/191
4,810,102 A	*	3/1989	Norton	224/153 X
D373,019 S	*	8/1996	Ford	D3/243
D381,503 S	*	7/1997	Petto	D3/234 X
D449,737 S	*	10/2001	Galliano	D3/243

* cited by examiner

Primary Examiner—Louis S. Zarfes

Assistant Examiner—Monica A. Weingart

(74) *Attorney, Agent, or Firm*—Amster, Rothstein & Ebenstein; Philip H. Gottfried, Esq.

(57) **CLAIM**

The ornamental design for a handbag, as shown and described.

DESCRIPTION

FIG. 1 is a left front perspective view of a handbag showing my new design, including auxiliary bags attached thereto; FIG. 2 is a front elevational view thereof; FIG. 3 is a rear elevational view thereof; FIG. 4 is a left side elevational view thereof; FIG. 5 is a right side elevational view thereof; FIG. 6 is a top plan view thereof; FIG. 7 is a bottom plan view thereof; FIG. 8 is a bottom plan view thereof, similar to FIG. 7, with part of the bottom shown in an alternate configuration to illustrate the design on the bottom; FIG. 9 is a left side elevational view, similar to FIG. 4, with only the larger, generally rectangular-faced, zippered auxiliary bag attached; FIG. 10 is a front perspective view of the generally square-faced auxiliary bag shown detached from the main handbag to illustrate the details thereof; FIG. 11 is a rear perspective view of the generally square-faced auxiliary bag similar to FIG. 10; FIG. 12 is a front perspective view of the generally rectangular-faced auxiliary bag, shown detached from the main handbag to illustrate the design details thereof; FIG. 13 is a rear perspective view of the generally rectangular-faced auxiliary bag similar to FIG. 12; and, FIG. 14 is a left side elevational view of the handbag, similar to FIGS. 4 and 9, without either of the auxiliary bags attached, to show the details of the design thereof.

1 Claim, 12 Drawing Sheets



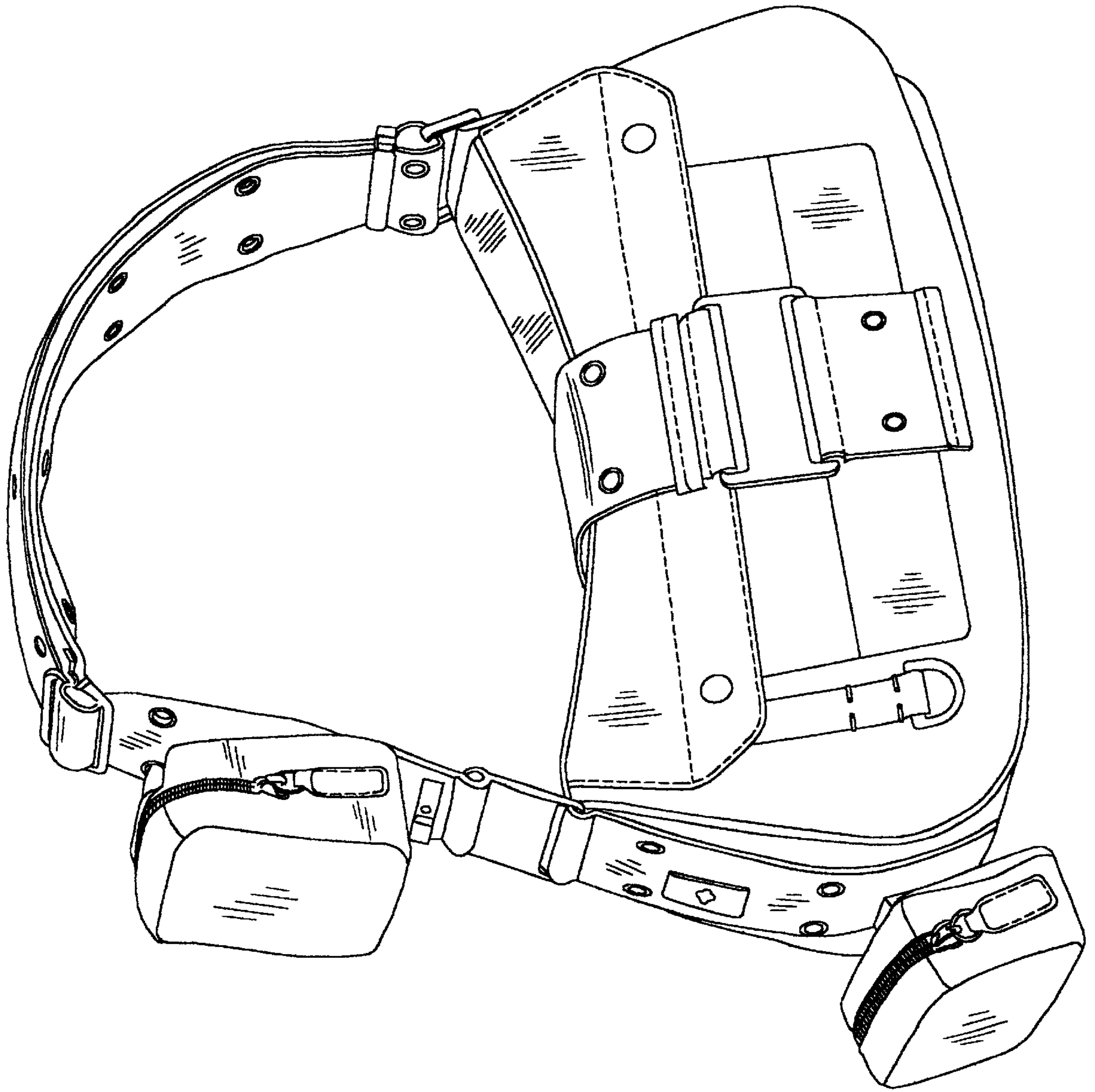


FIG. 1

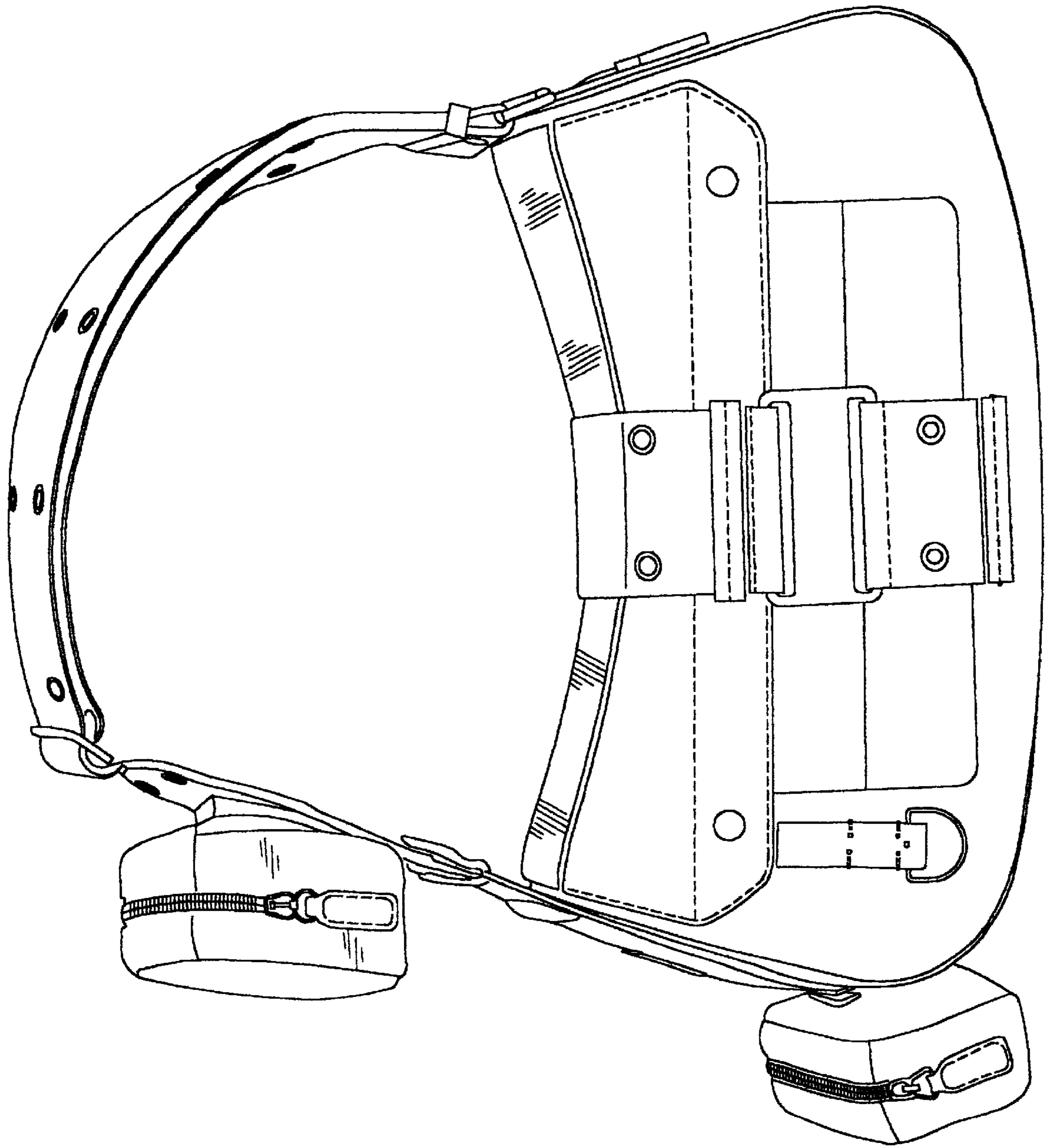


FIG. 2

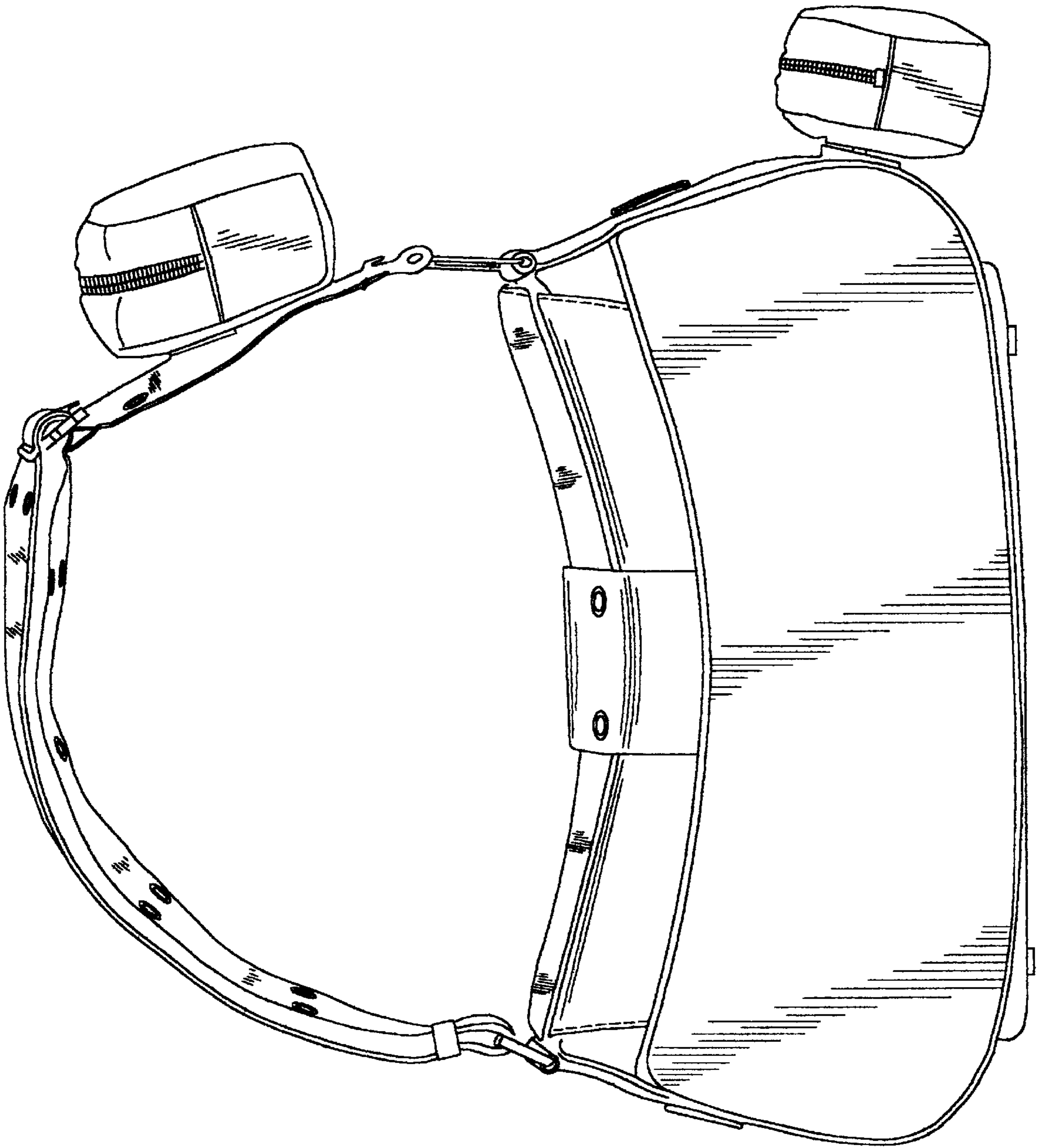


FIG. 3

FIG. 4

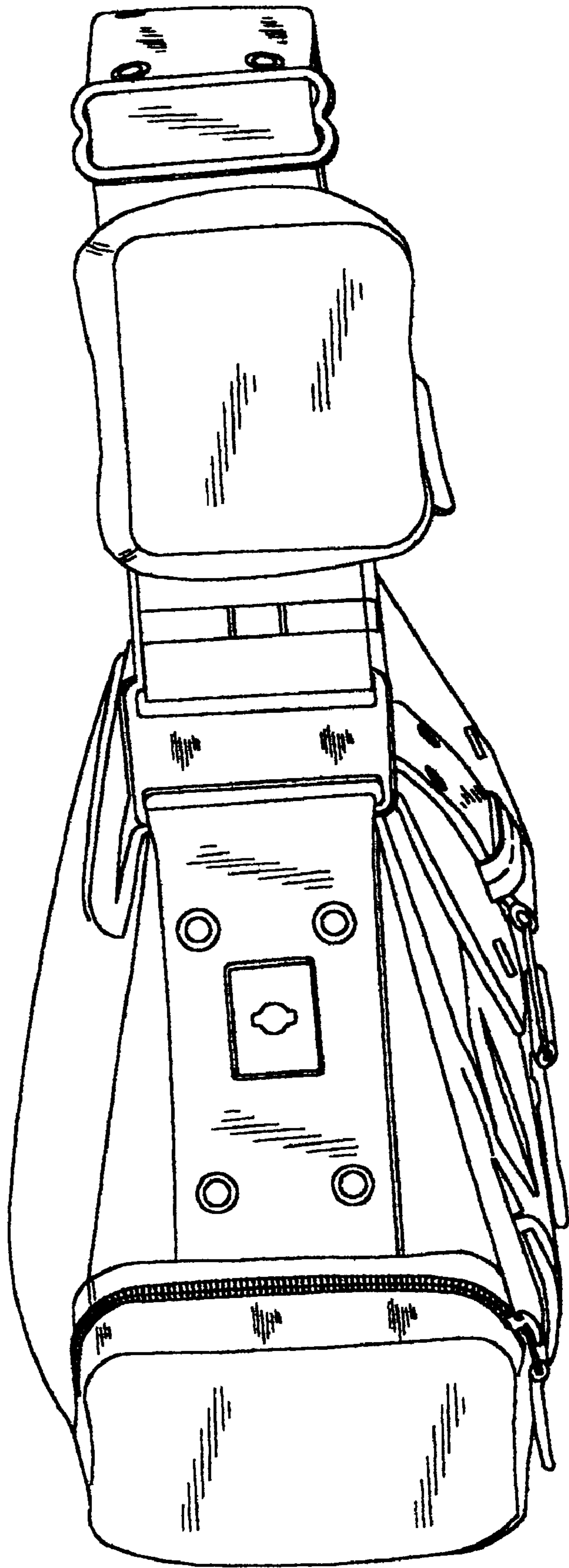
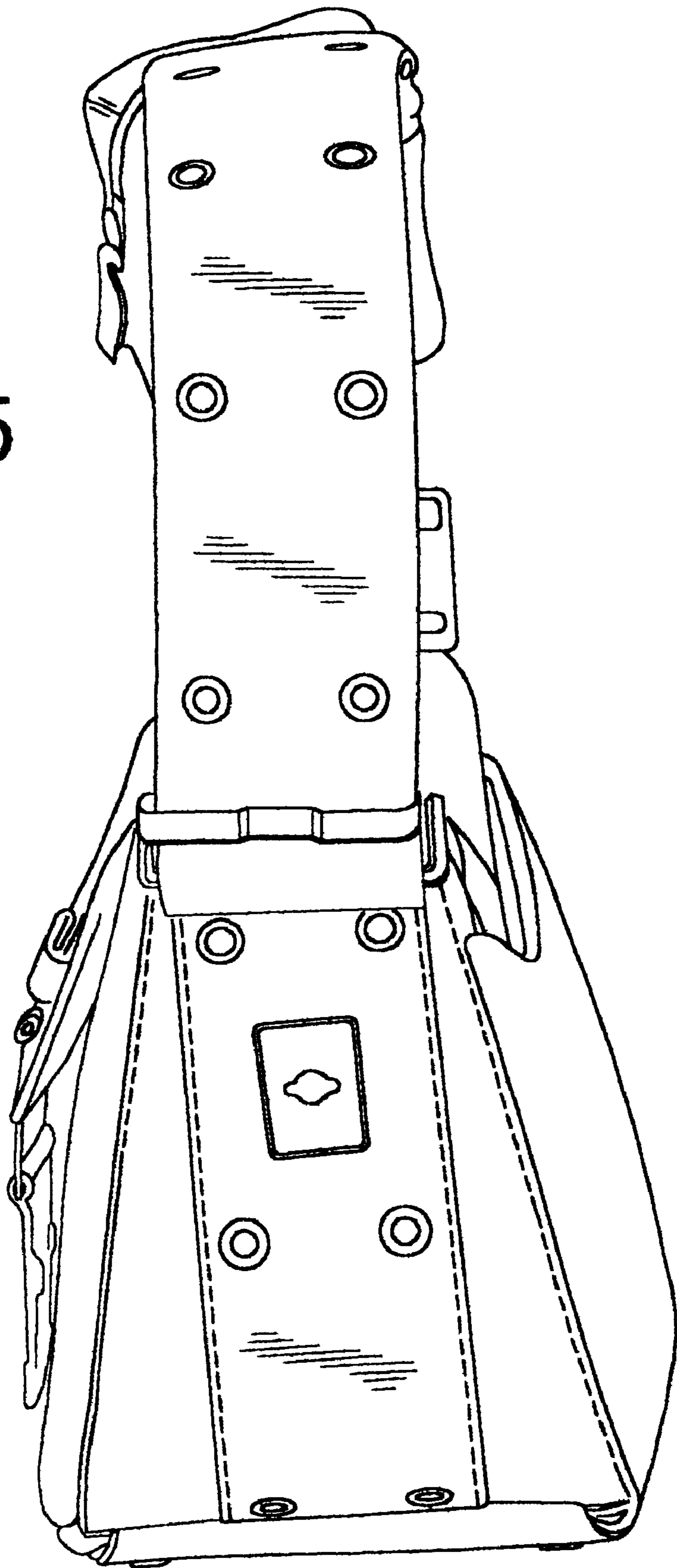


FIG. 5



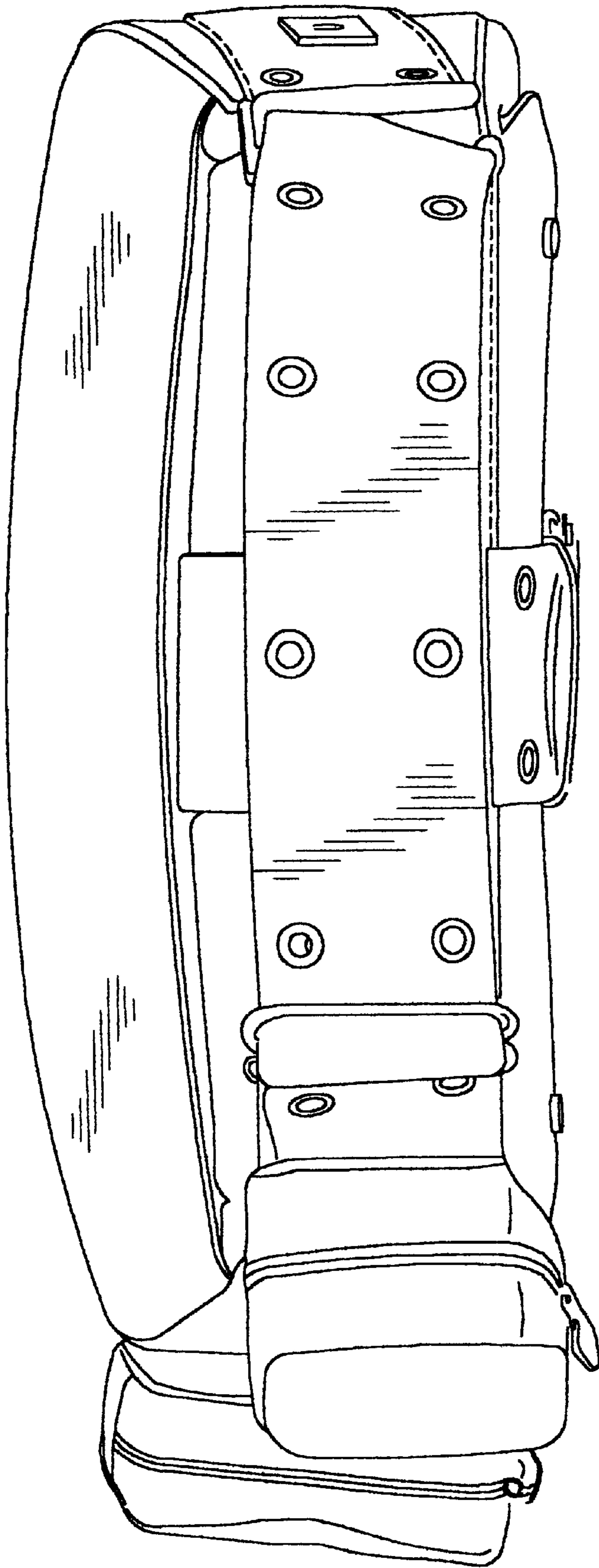


FIG. 6

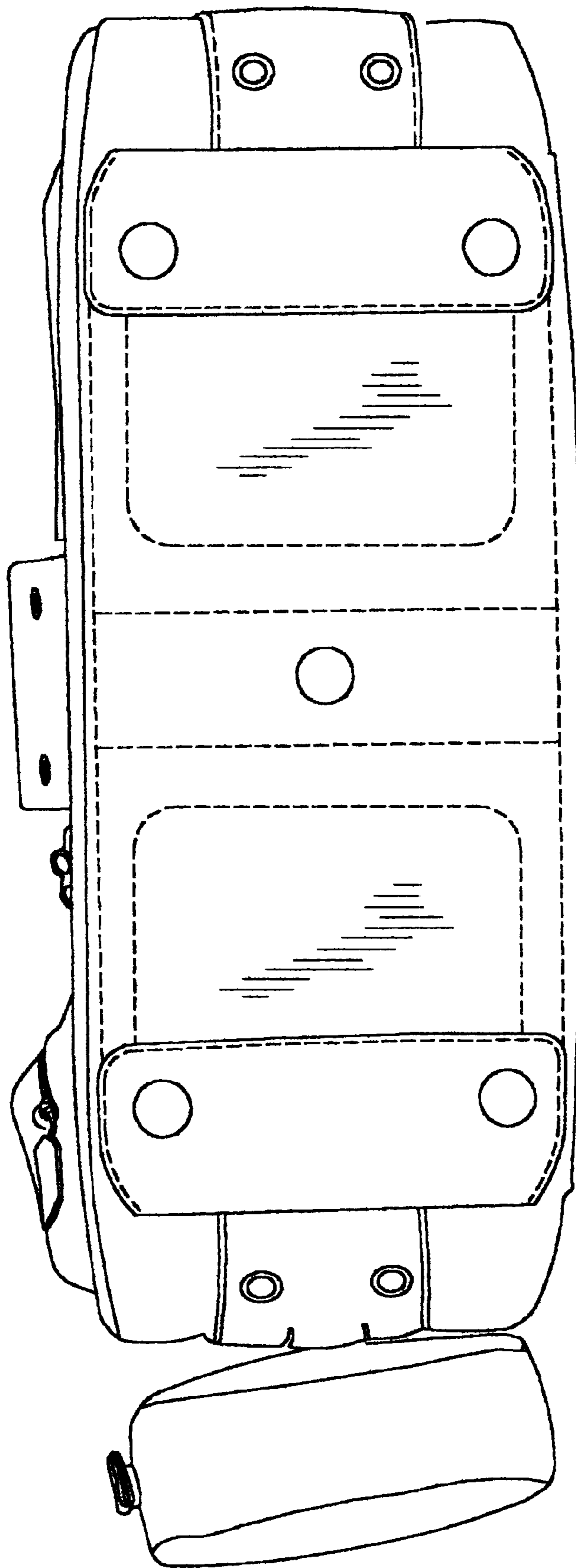


FIG. 7

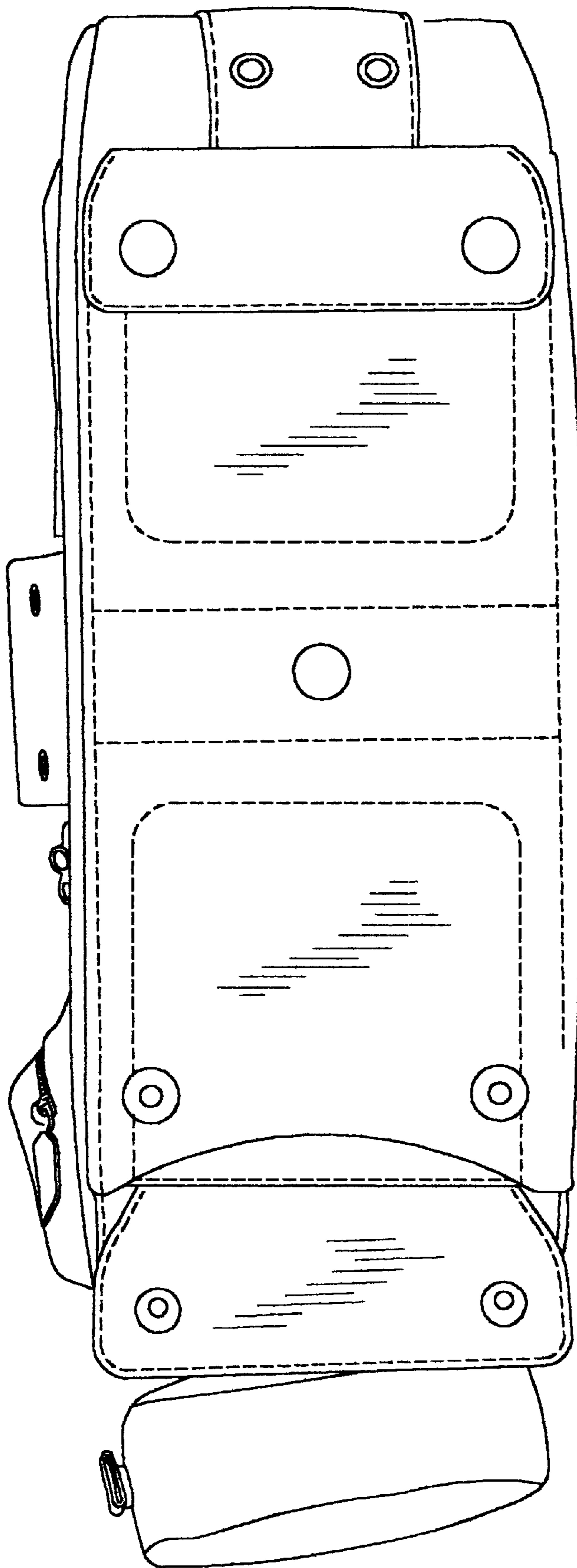
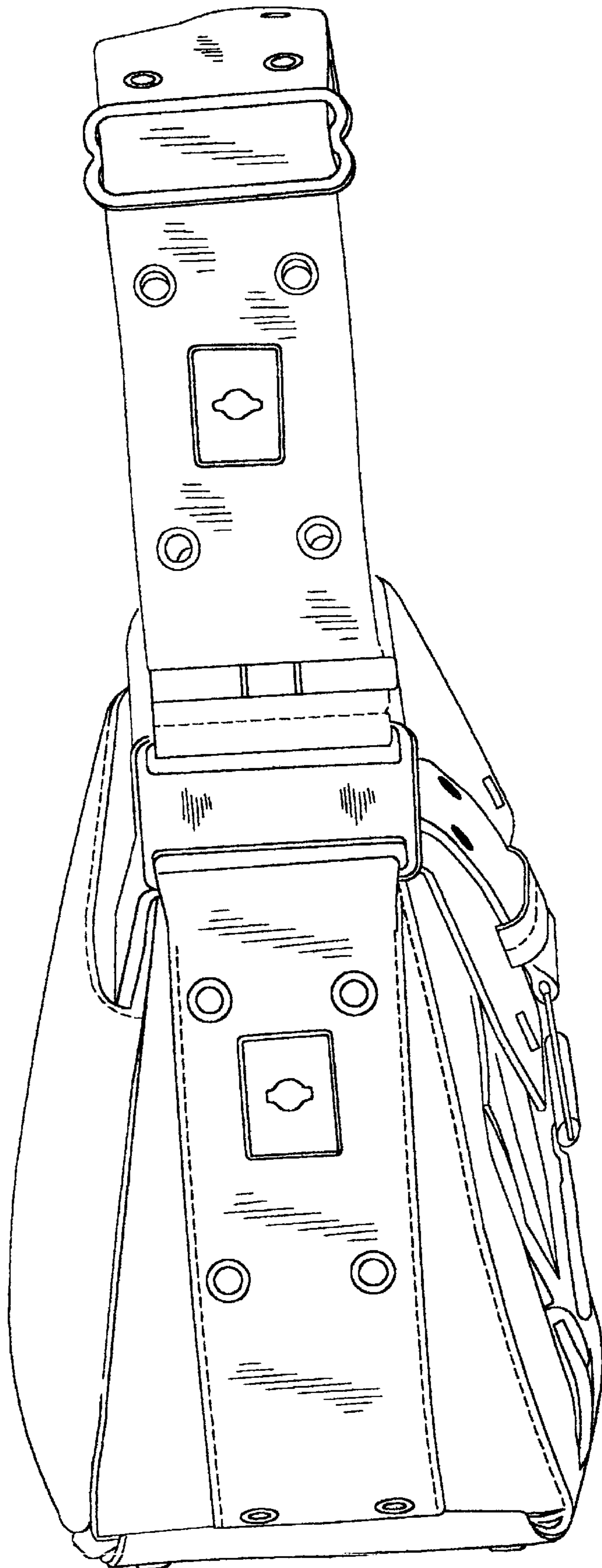


FIG. 8

FIG. 9



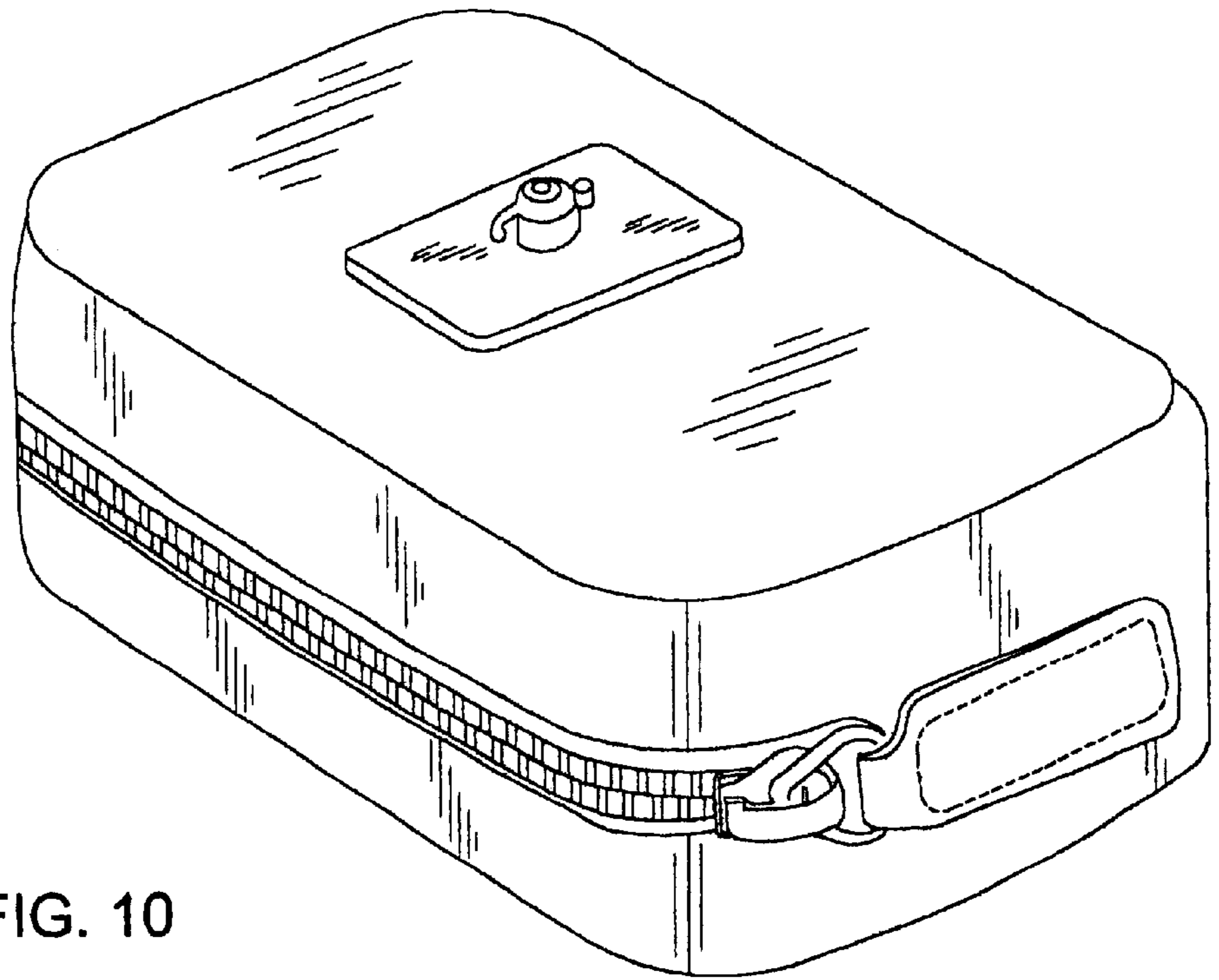


FIG. 10

FIG. 11

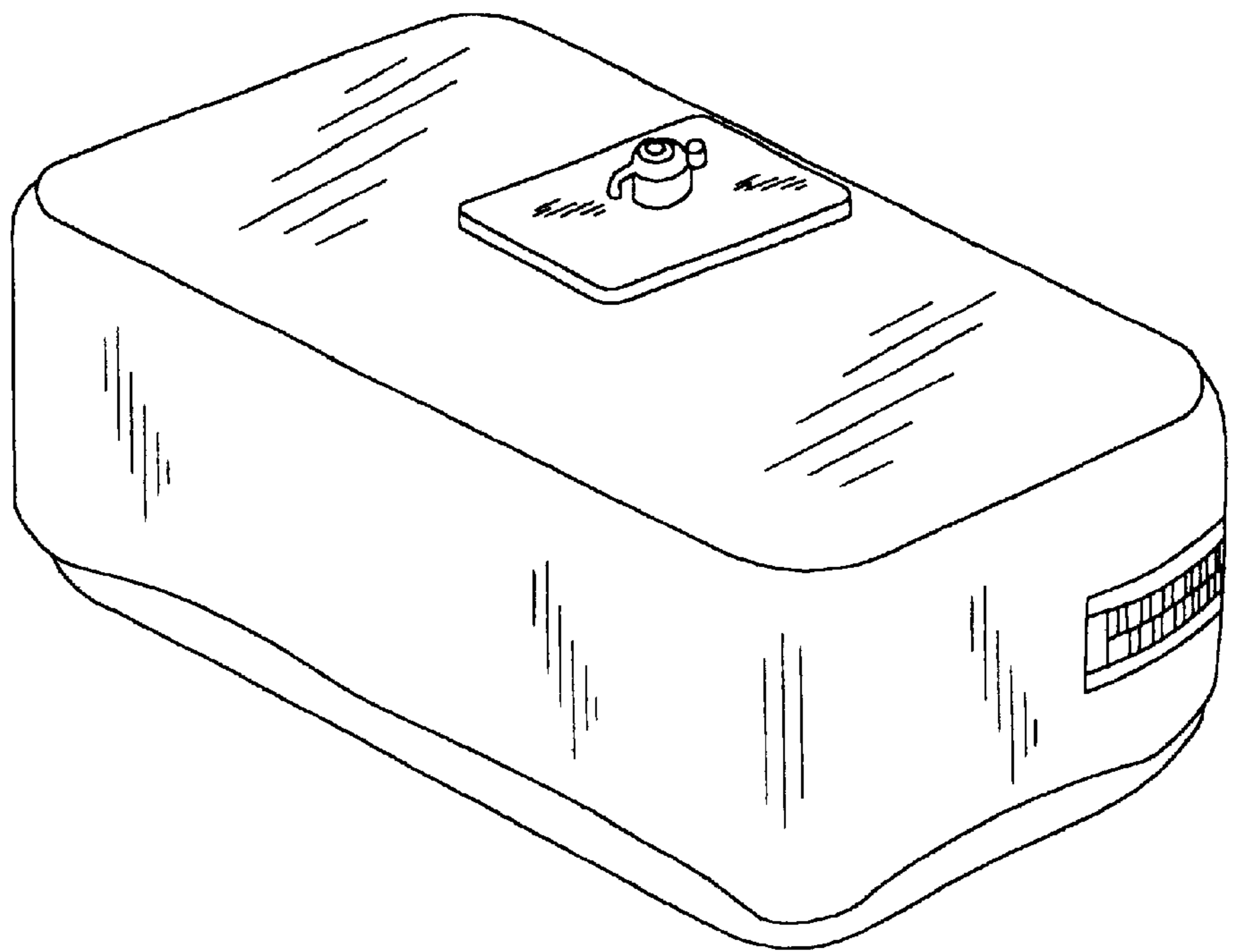


FIG. 12

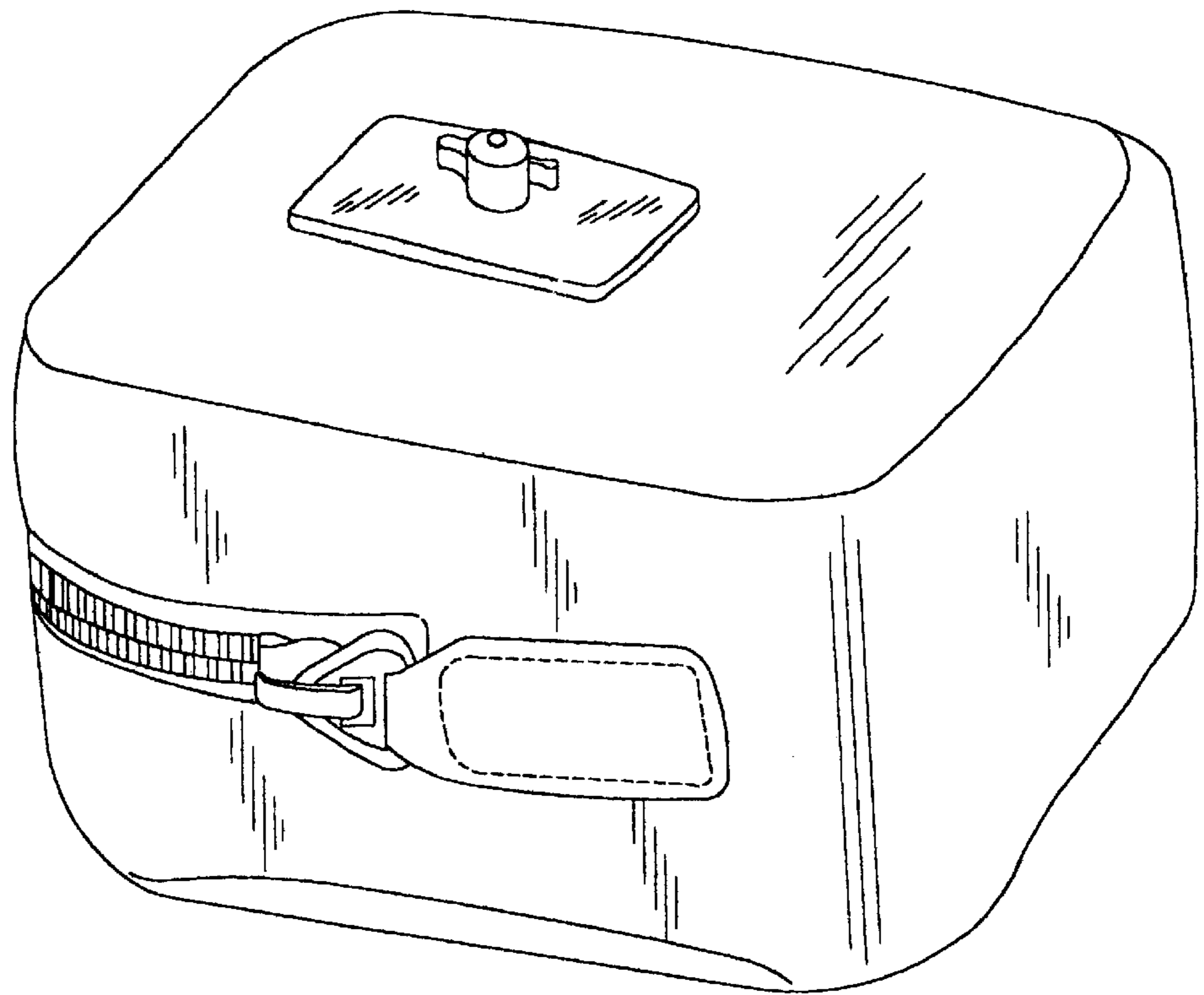


FIG. 13

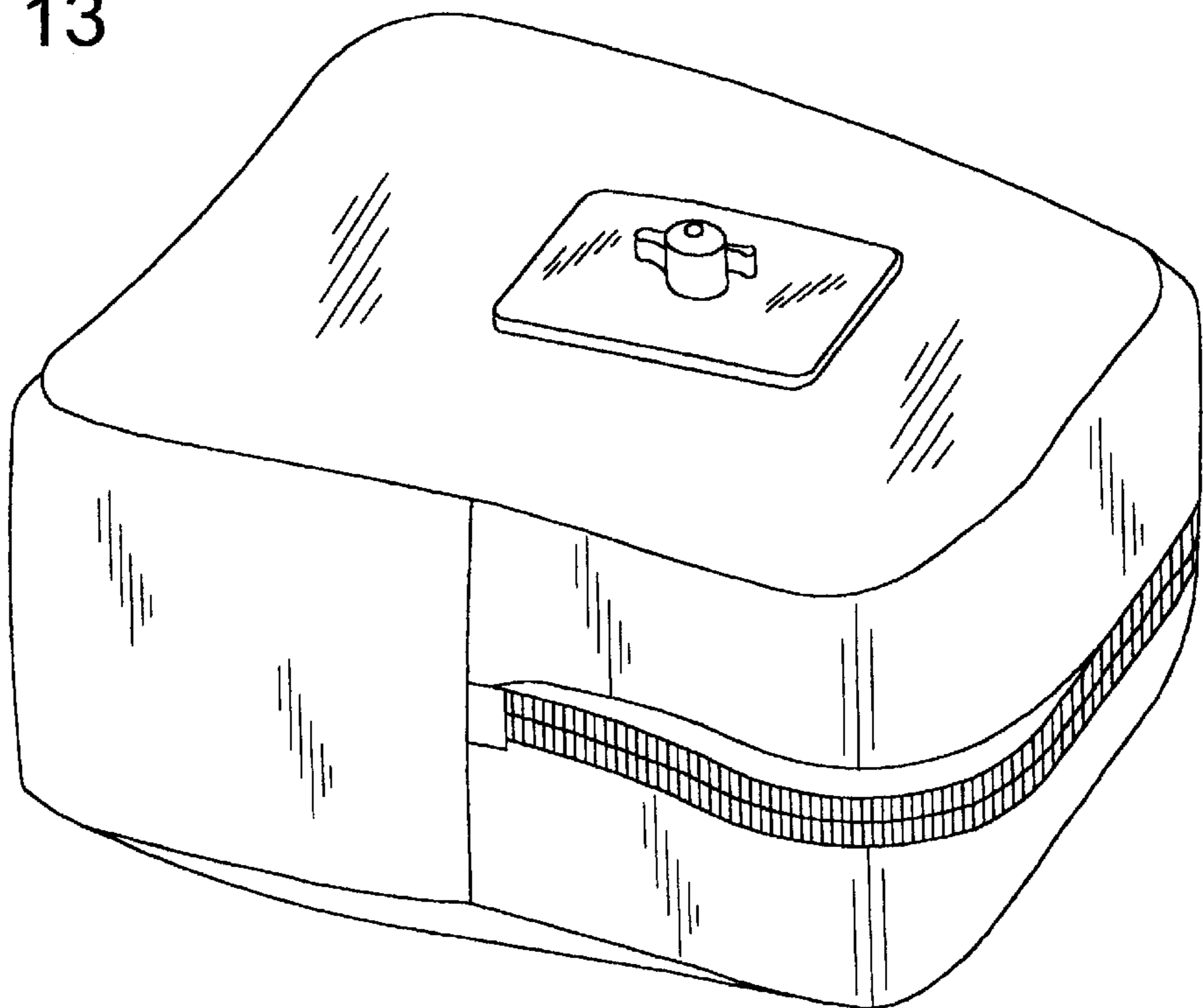


FIG. 14

