



US00D472042S

(12) **United States Design Patent**
Masullo

(10) **Patent No.:** **US D472,042 S**

(45) **Date of Patent:** **** Mar. 25, 2003**

- (54) **PORTION OF A SHOE UPPER**
- (75) **Inventor:** **Penny Masullo**, Manhattan Beach, CA (US)
- (73) **Assignee:** **Skechers U.S.A., Inc. II**, Manhattan Beach, CA (US)
- (**) **Term:** **14 Years**
- (21) **Appl. No.:** **29/171,347**
- (22) **Filed:** **Nov. 21, 2002**

- D263,643 S 4/1982 Vermonet
- D265,015 S 6/1982 Higgins
- 4,342,161 A 8/1982 Schmohl
- D272,012 S 1/1984 Trevisani
- D279,620 S 7/1985 Ueda
- 4,573,279 A 3/1986 Feurer-Zogel et al.
- D287,782 S 1/1987 Palacio
- D287,783 S 1/1987 Palacio
- D288,261 S 2/1987 Palacio
- 4,651,447 A 3/1987 Sullivan
- D291,141 S 8/1987 Tong et al.
- D294,192 S 2/1988 Igoe
- 4,756,098 A 7/1988 Boggia
- 4,949,476 A 8/1990 Anderie
- 5,117,568 A 6/1992 Mitsui
- D337,723 S 7/1993 Cordeiro
- D342,149 S 12/1993 Berger et al.
- D380,078 S 6/1997 Von Conta
- D402,454 S 12/1998 Kelchak
- D411,246 S 6/1999 Jimenez
- 6,094,844 A 8/2000 Potts
- D432,773 S 10/2000 Debiase
- D436,720 S 1/2001 Debiase
- D449,426 S 10/2001 Pollastrelli
- D451,266 S 12/2001 Schroeder et al.
- D456,597 S 5/2002 Adams
- D457,297 S 5/2002 Adams et al.

Related U.S. Application Data

- (62) Division of application No. 29/163,577, filed on Jul. 8, 2002.
- (51) **LOC (7) Cl.** **02-99**
- (52) **U.S. Cl.** **D2/972**
- (58) **Field of Search** D2/896, 902, 907, D2/943, 944, 946, 969, 972, 973; 36/45, 50.1, 51, 77 M, 77 R, 83, 88, 113, 114, 126-130

References Cited

U.S. PATENT DOCUMENTS

- 806,267 A 12/1905 King
- 1,952,628 A 3/1934 MacDonald
- D98,954 S 3/1936 Morgan
- D148,451 S 1/1948 Arnoff
- D188,037 S 5/1960 Dassler
- D188,038 S 5/1960 Dassler
- D220,464 S 4/1971 Hayashi
- D223,329 S 4/1972 Oshima
- D223,531 S 5/1972 McCarthy
- D226,882 S 5/1973 Powers
- D226,883 S 5/1973 Babicka
- D232,200 S 7/1974 Inohara
- 3,849,915 A 11/1974 Inohara
- D233,805 S 12/1974 Kubo
- D238,983 S 3/1976 Senter
- D239,342 S 3/1976 Dassler
- D239,983 S 5/1976 Senter
- D248,513 S 7/1978 Soler
- D250,617 S 12/1978 Noches
- D257,074 S 9/1980 Gucci
- 4,314,413 A 2/1982 Dassler

Primary Examiner—Dominic Simone
(74) *Attorney, Agent, or Firm*—Marshall A. Lerner, Esq.; Finn T. Simmenssen, Esq.; Kleinberg & Lerner, LLP

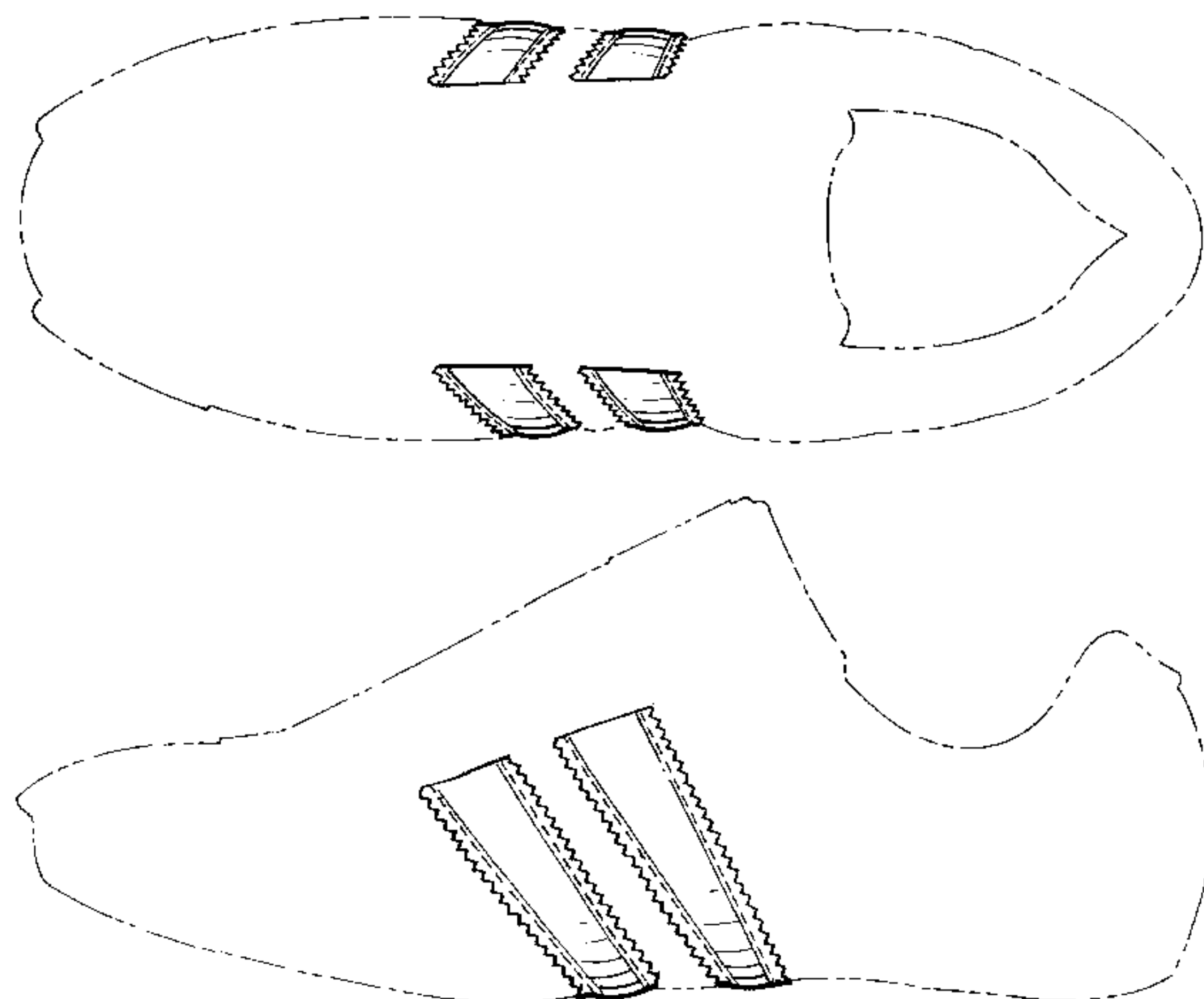
(57) **CLAIM**

The ornamental design for a portion of a shoe upper, as shown and described.

DESCRIPTION

FIG. 1 is a perspective view of the portion of a shoe upper showing my new design;
FIG. 2 is a top plan view thereof;
FIG. 3 is a right side elevational view thereof;
FIG. 4 is a left side elevational view thereof;
FIG. 5 is a front elevational view thereof; and,
FIG. 6 is a rear elevational view thereof.
Broken lines in the figures are for illustrative purposes only and form no part of the claimed design.

1 Claim, 3 Drawing Sheets



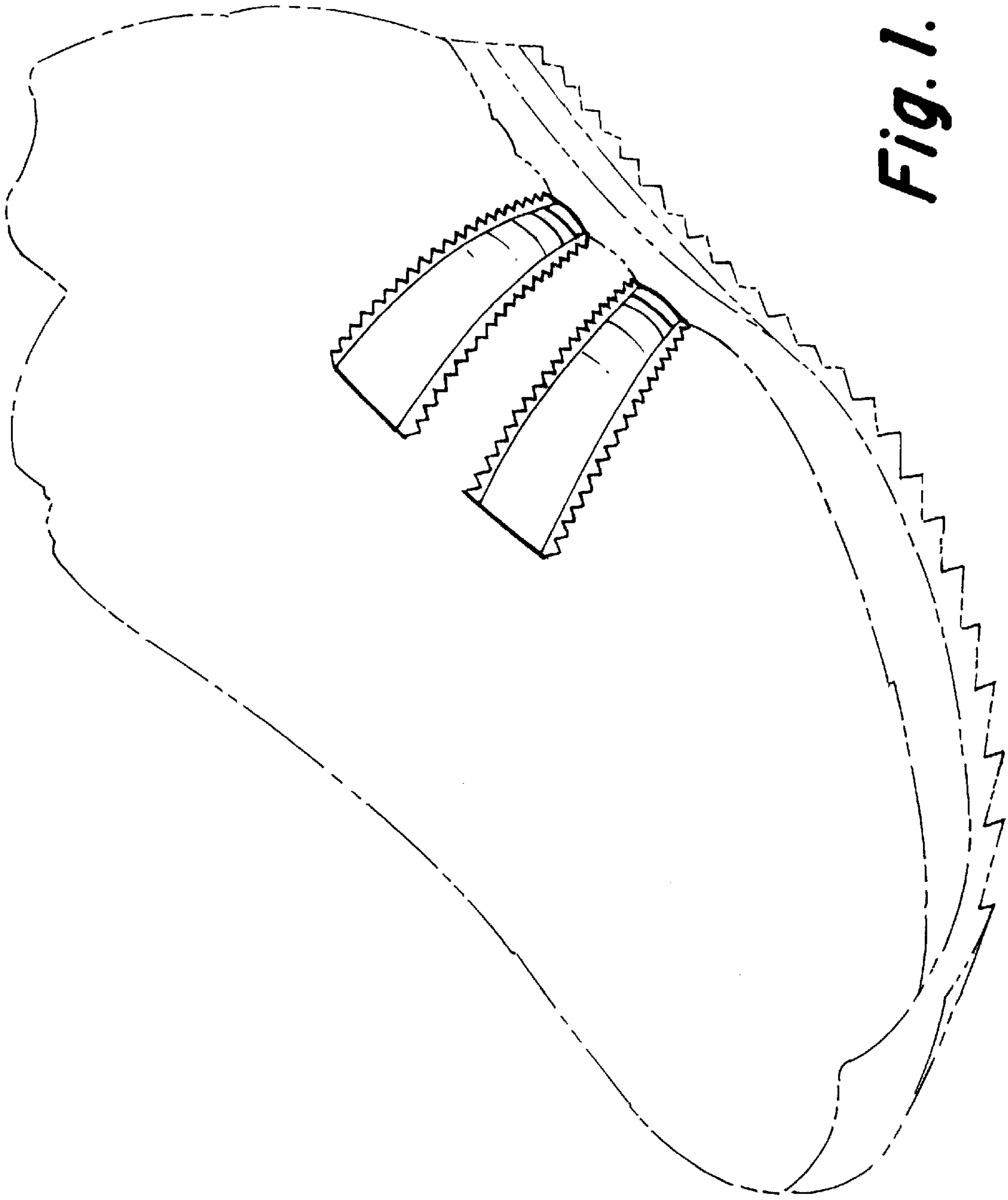


Fig. 1.

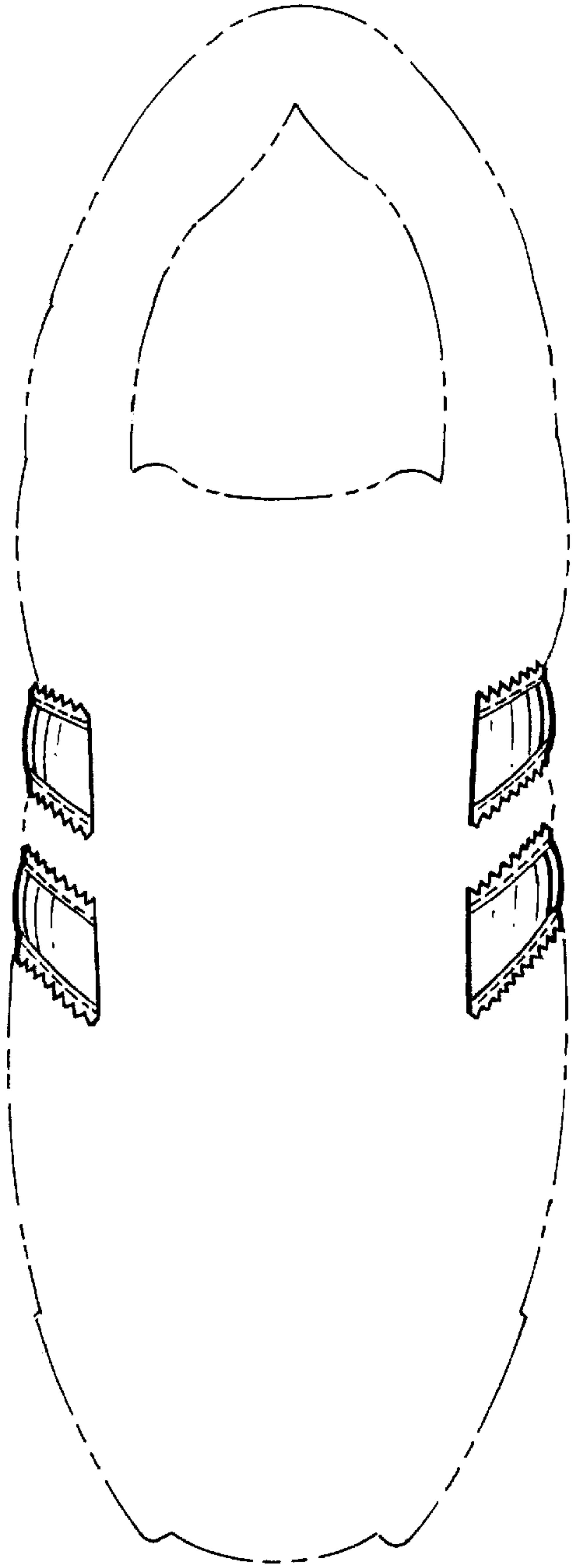


Fig. 2.

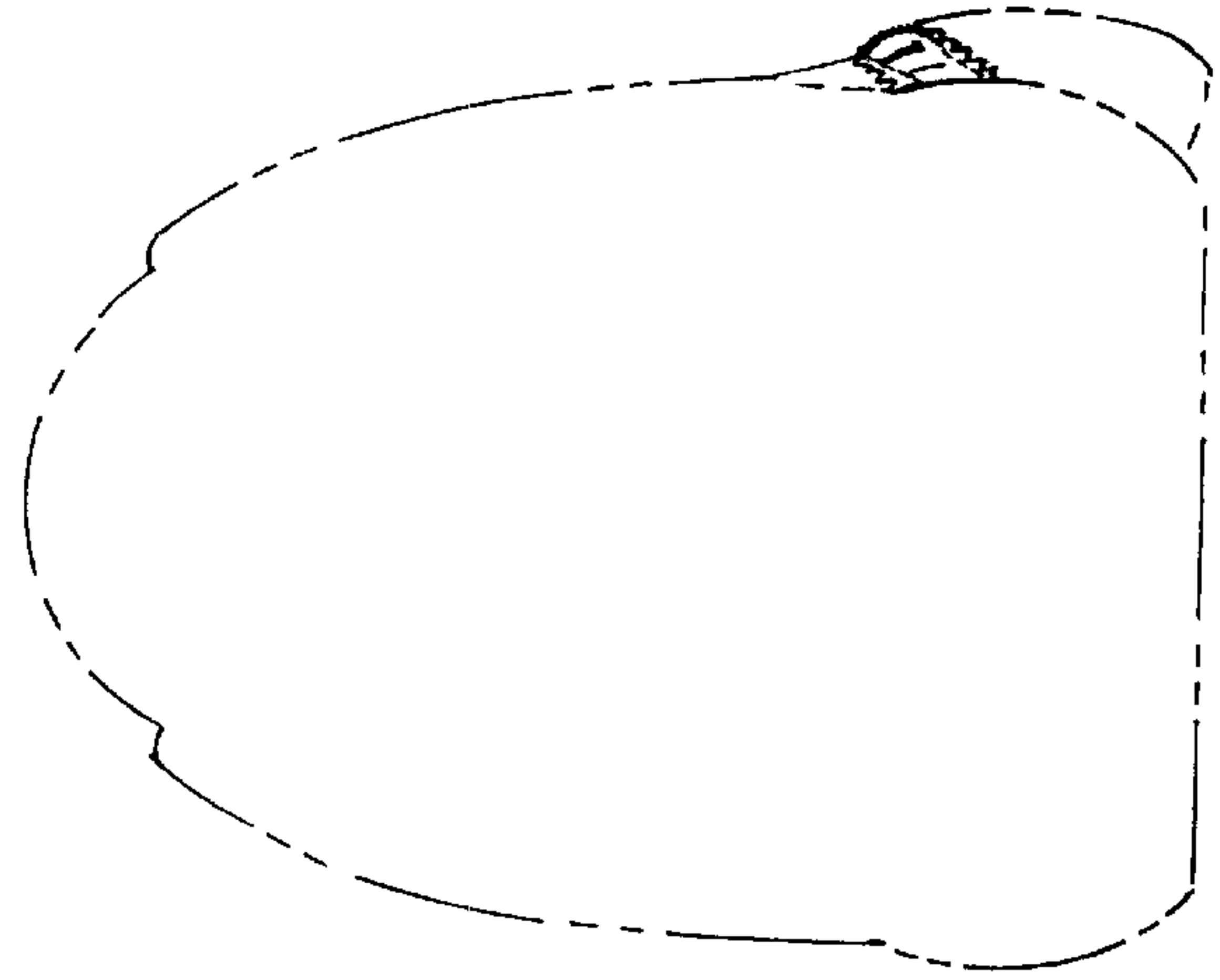


Fig. 6.

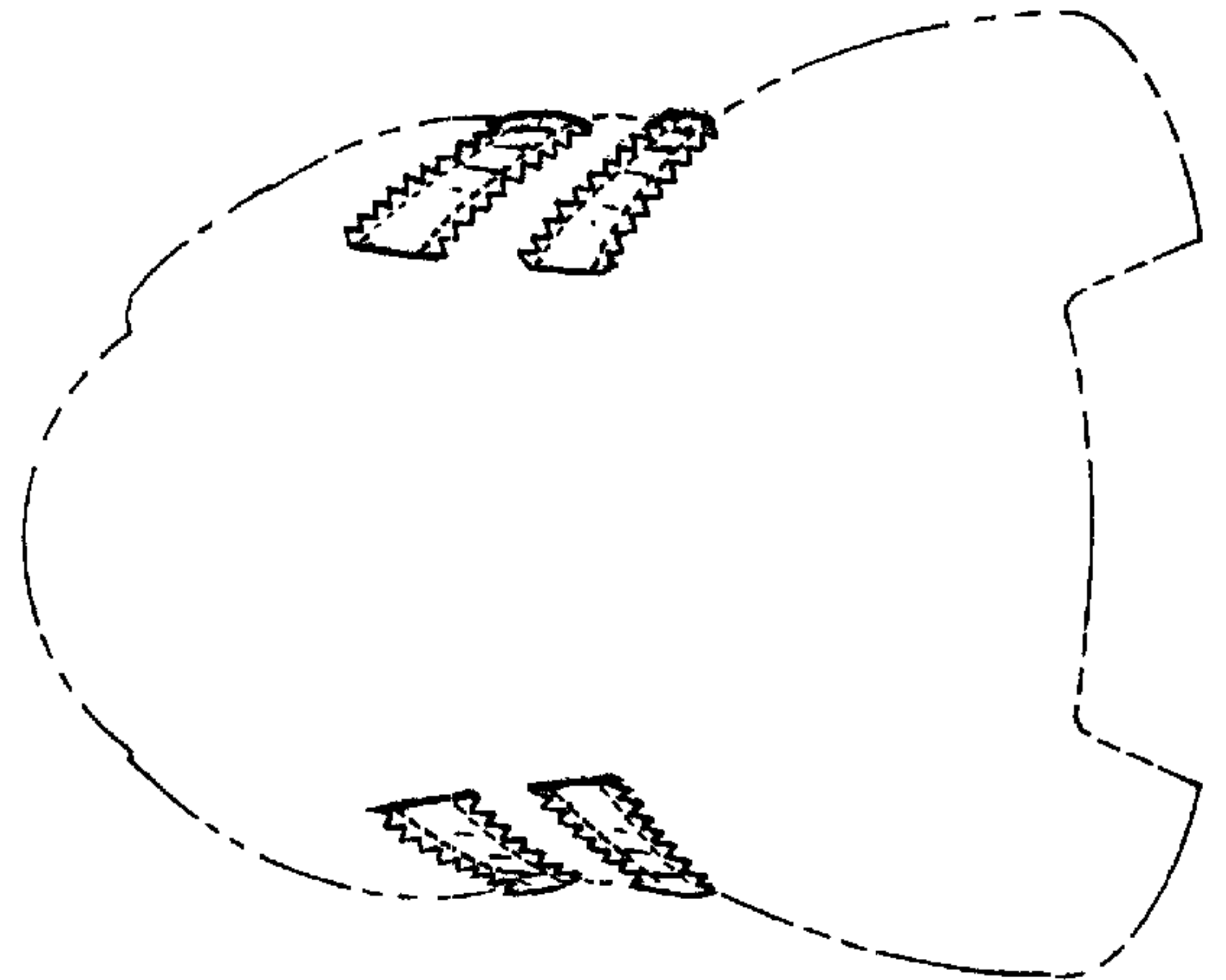


Fig. 5.

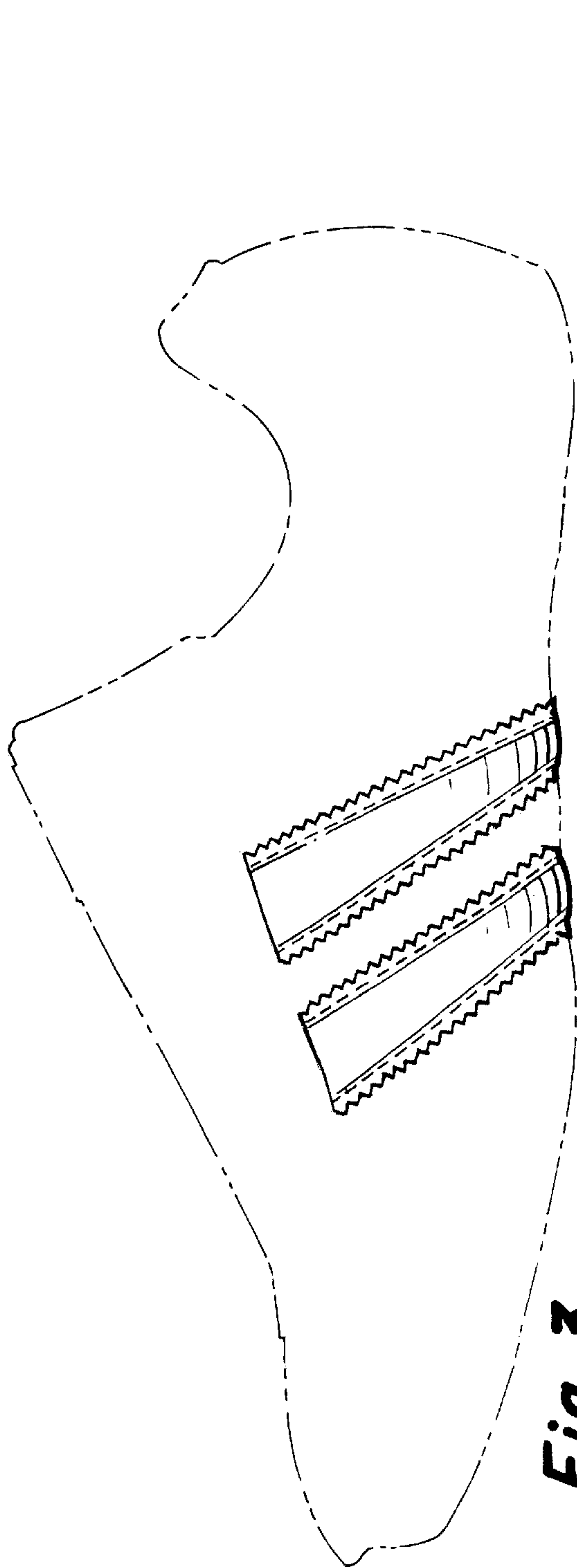


Fig. 3.

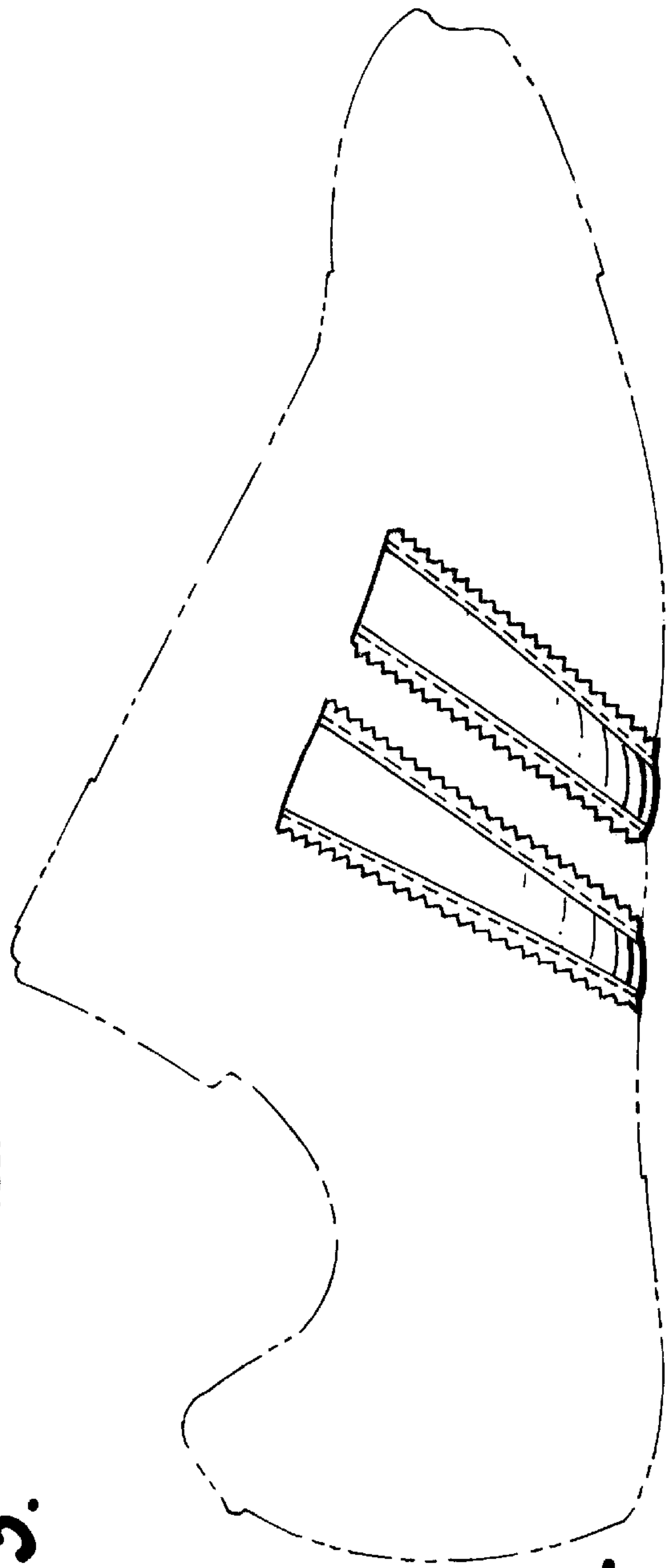


Fig. 4.