



US00D472032S

(12) **United States Design Patent**
Young

(10) **Patent No.:** **US D472,032 S**

(45) **Date of Patent:** **** Mar. 18, 2003**

(54) **MOTORSPORTS MAILBOX**

(76) **Inventor:** **Stephen M. Young, 975 Cnty. Rd. 2250 E., Secor, IL (US) 61771**

(**) **Term:** **14 Years**

(21) **Appl. No.:** **29/158,452**

(22) **Filed:** **Apr. 4, 2002**

(51) **LOC (7) Cl.** **99-00**

(52) **U.S. Cl.** **D99/30**

(58) **Field of Search** D99/29, 30, 42;
232/19, 17, 20, 27, 34, 39; D21/424, 433,
548, 549; 446/446

(56) **References Cited**

U.S. PATENT DOCUMENTS

D248,580 S	7/1978	Luttrell et al.	
D346,266 S	4/1994	Tingler	
D347,927 S	6/1994	Martin	
D371,888 S	7/1996	Tingler	
D413,422 S	* 8/1999	Colbert et al.	D99/30
D418,272 S	* 12/1999	Hiott	D99/30

D438,689 S	*	3/2001	Williams	D99/30
D440,026 S	*	4/2001	Barney	D99/30
D441,171 S	*	4/2001	Vergakis	D99/30
D443,401 S	*	6/2001	Arnold	D99/30

* cited by examiner

Primary Examiner—Paula A. Mortimer
(74) *Attorney, Agent, or Firm*—Husch & Eppenberger, LLC; Robert E. Muir; Richard J. Musgrave

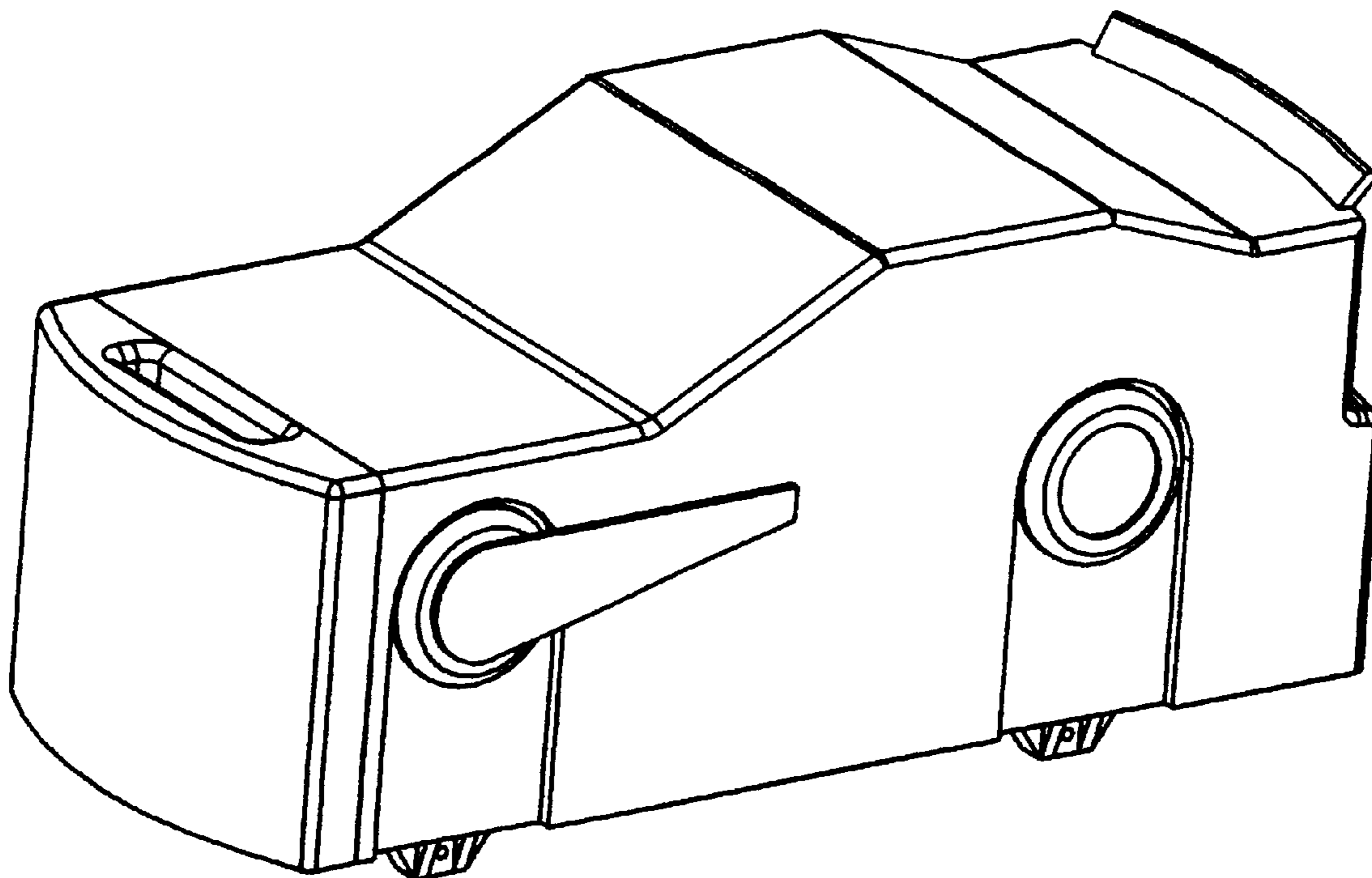
(57) **CLAIM**

The ornamental design for a motorsports mailbox, as shown and described.

DESCRIPTION

FIG. 1 is a perspective view of a motorsports mailbox showing my new design;
FIG. 2 is a right side view thereof;
FIG. 3 is a left side view thereof;
FIG. 4 is a front view thereof;
FIG. 5 is a rear view thereof;
FIG. 6 is a top plan view thereof; and,
FIG. 7 is a bottom plan view thereof.

1 Claim, 4 Drawing Sheets



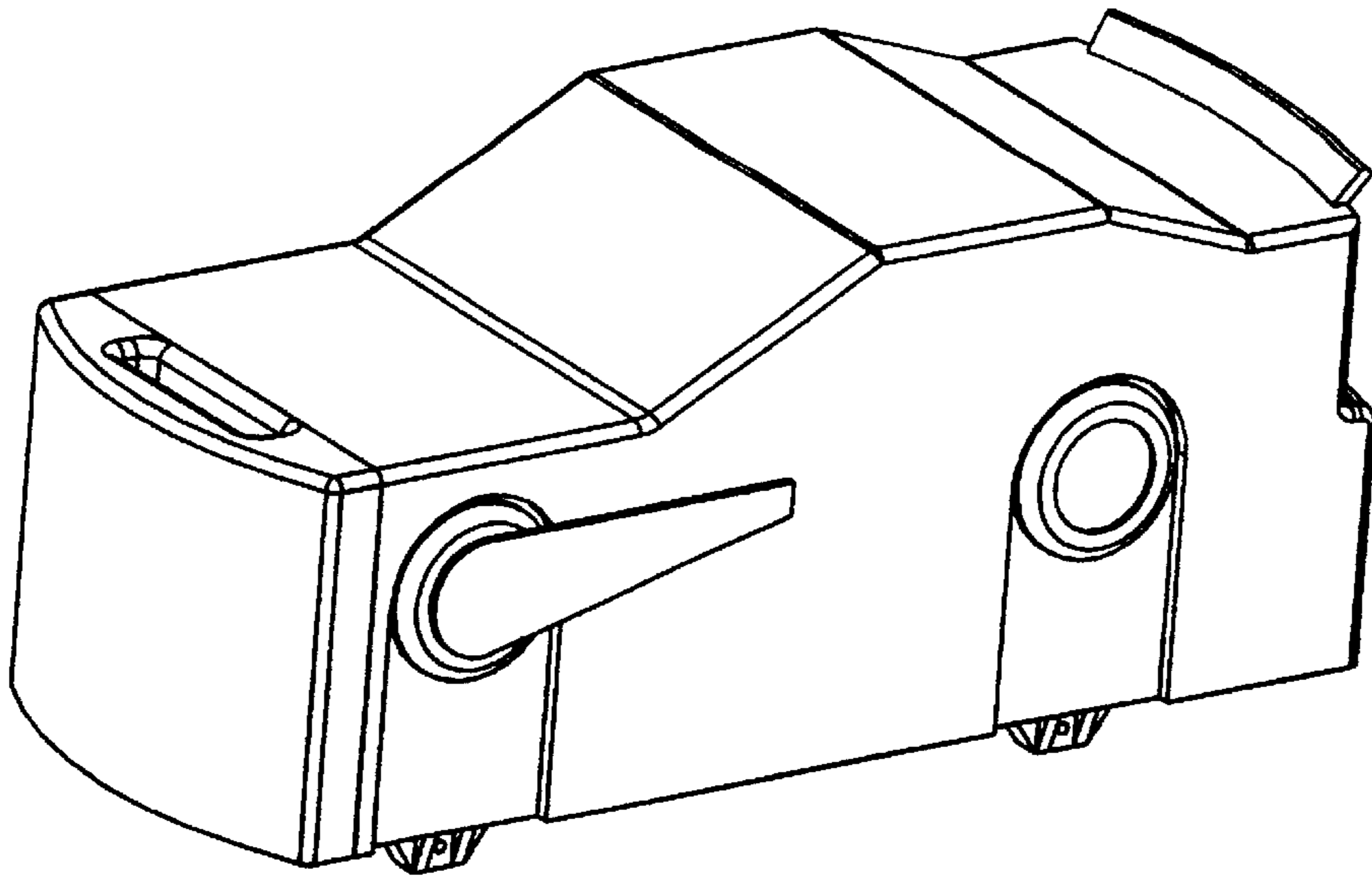


Fig. 1

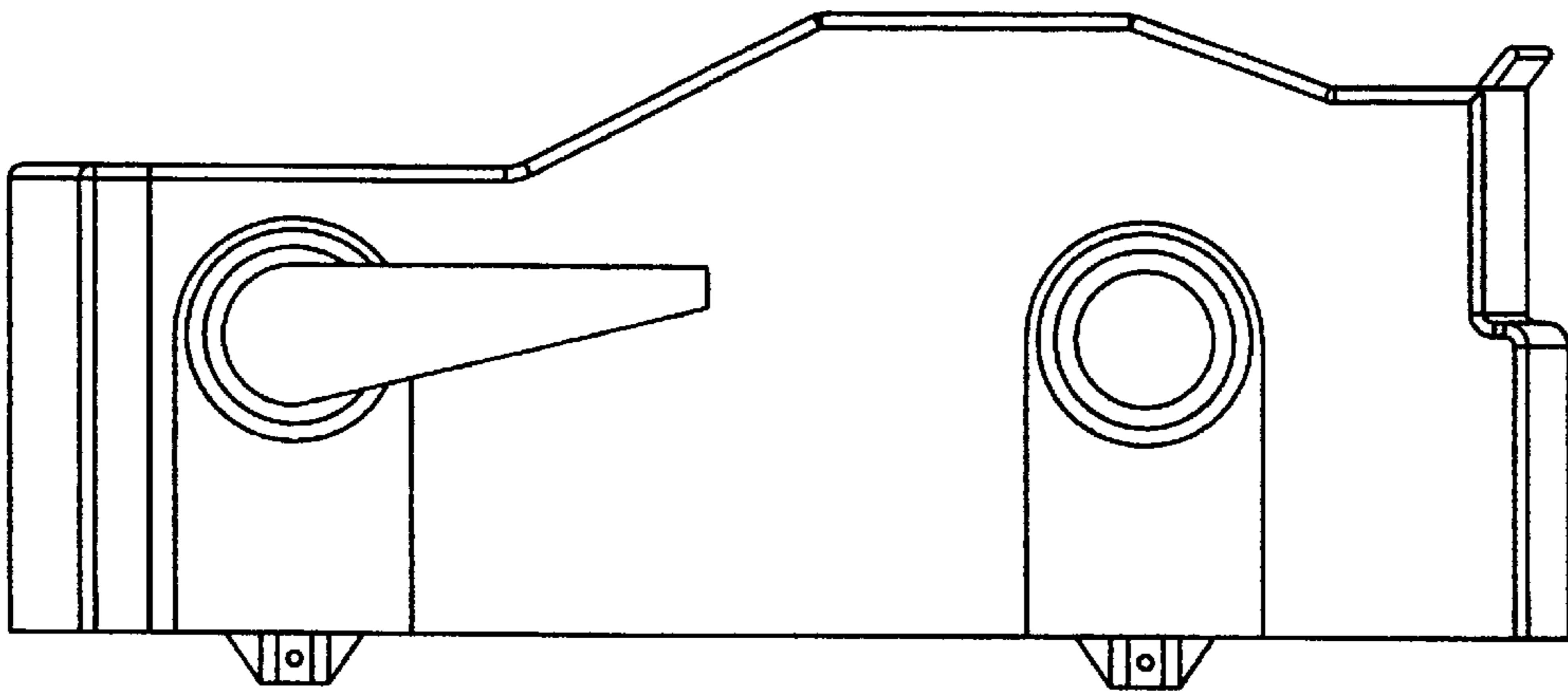


Fig. 2

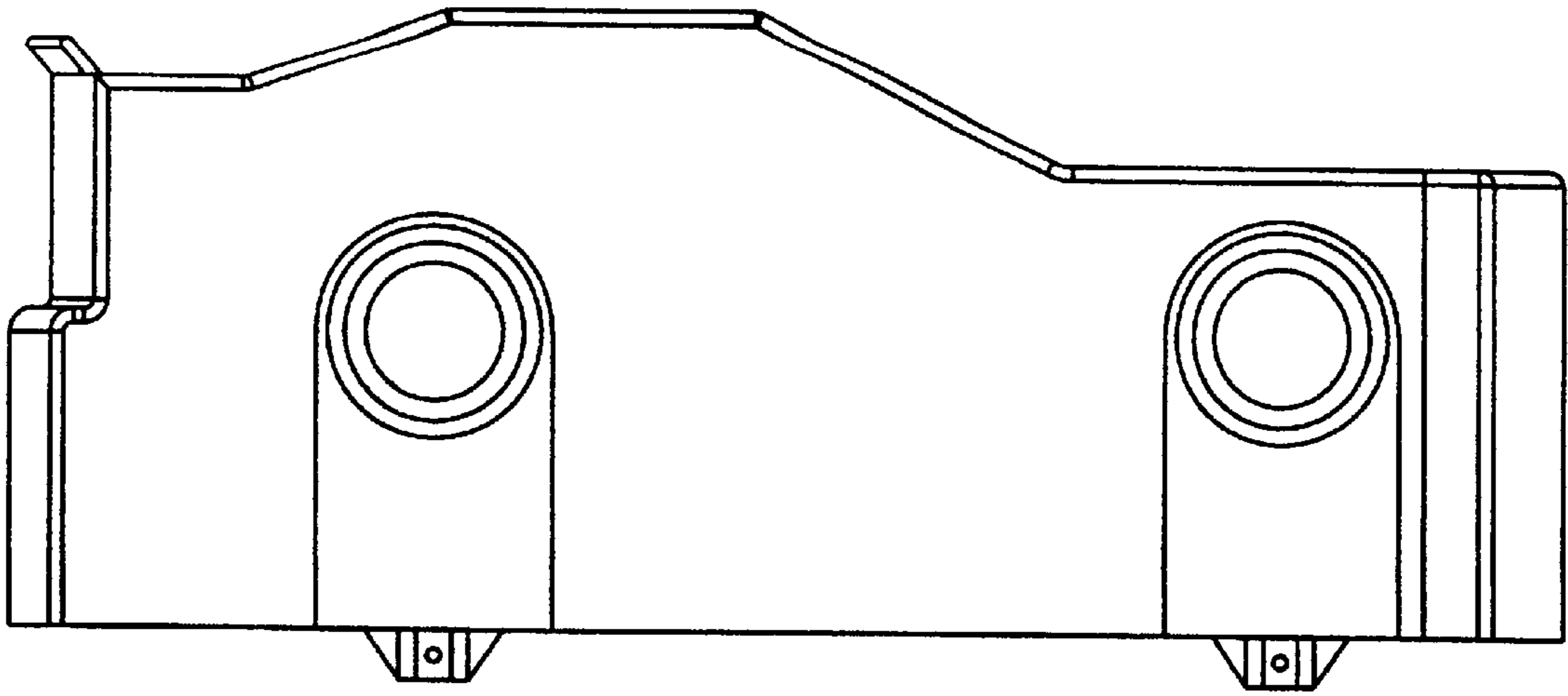


Fig. 3

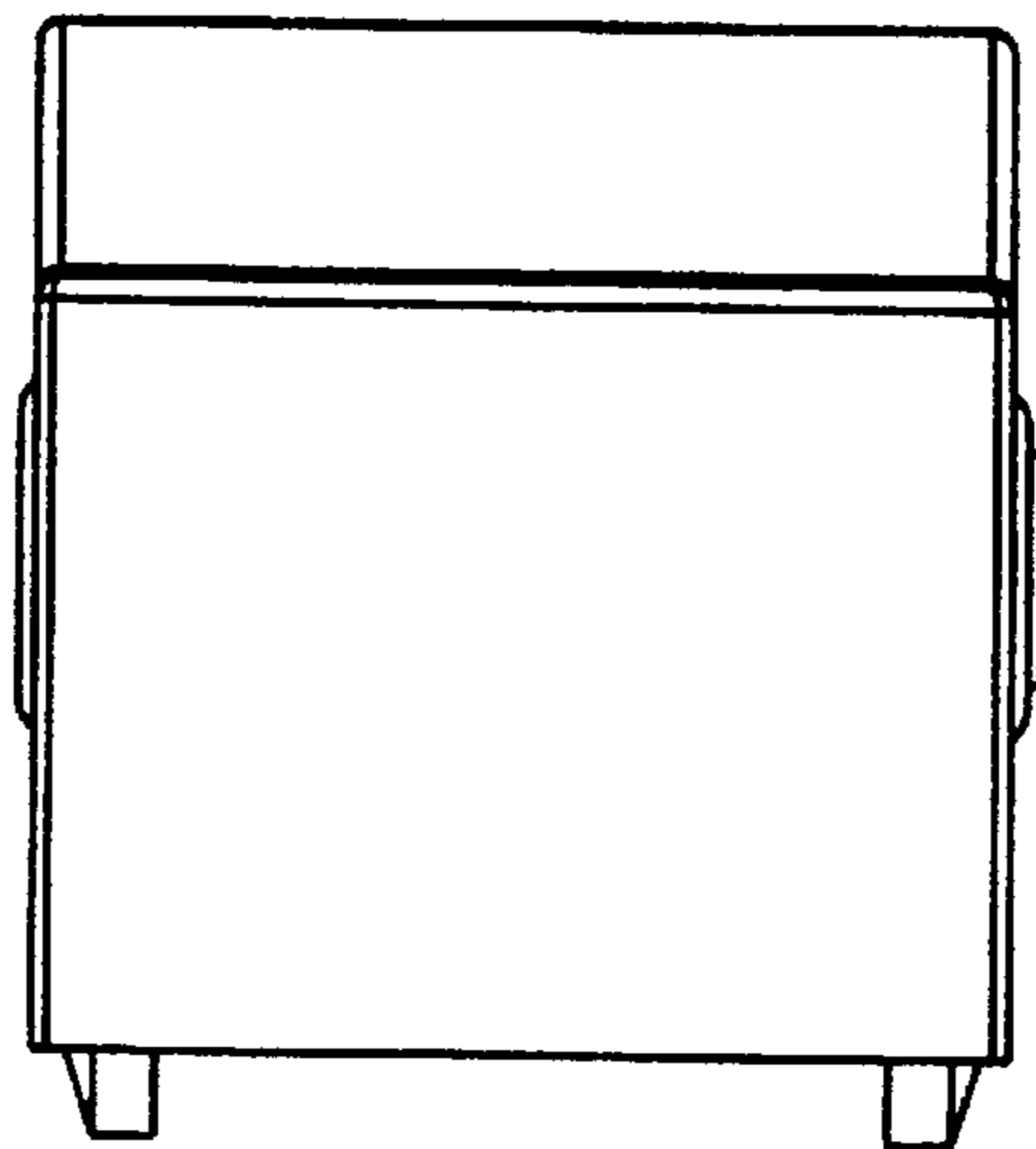


Fig. 4

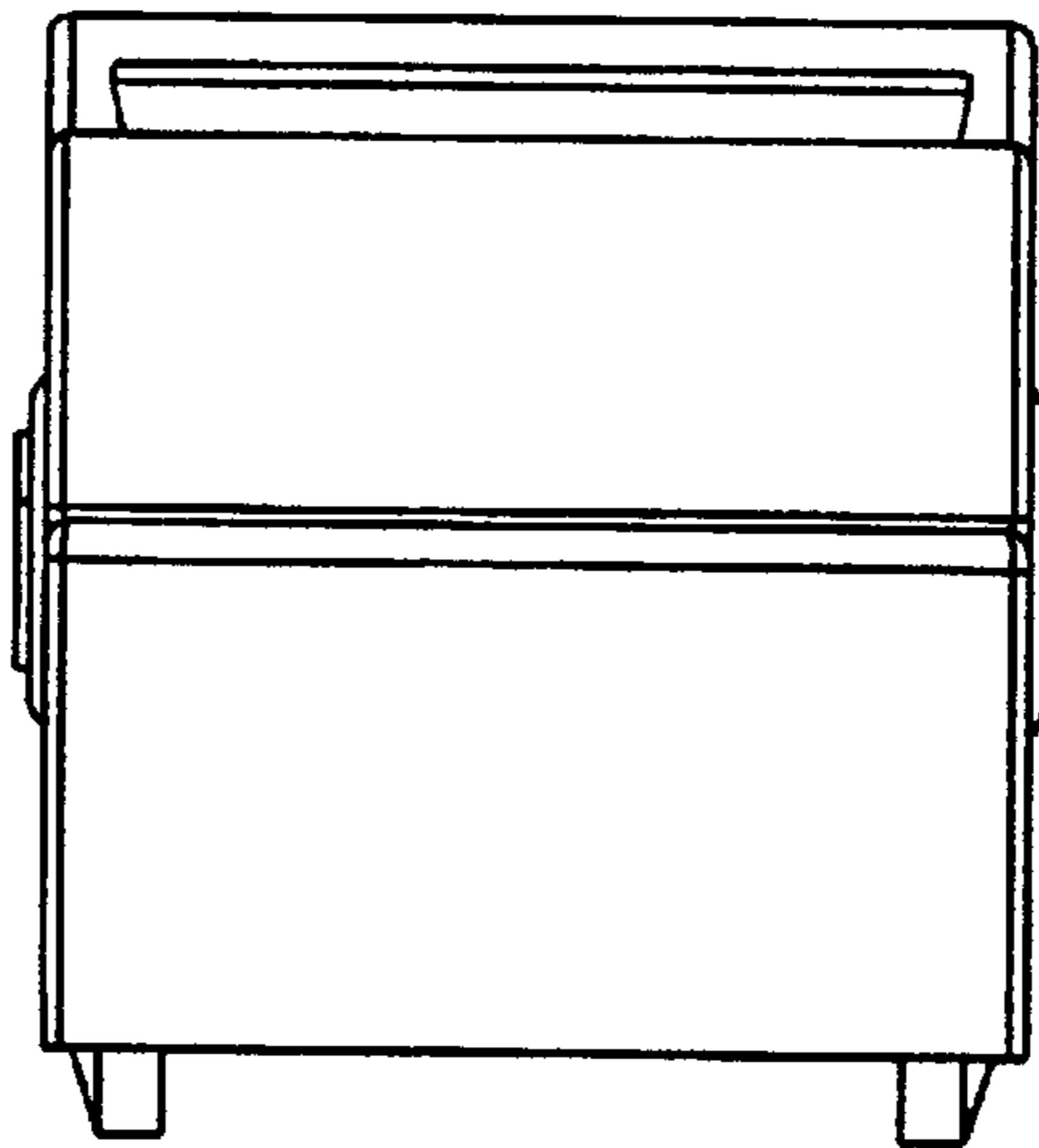


Fig. 5

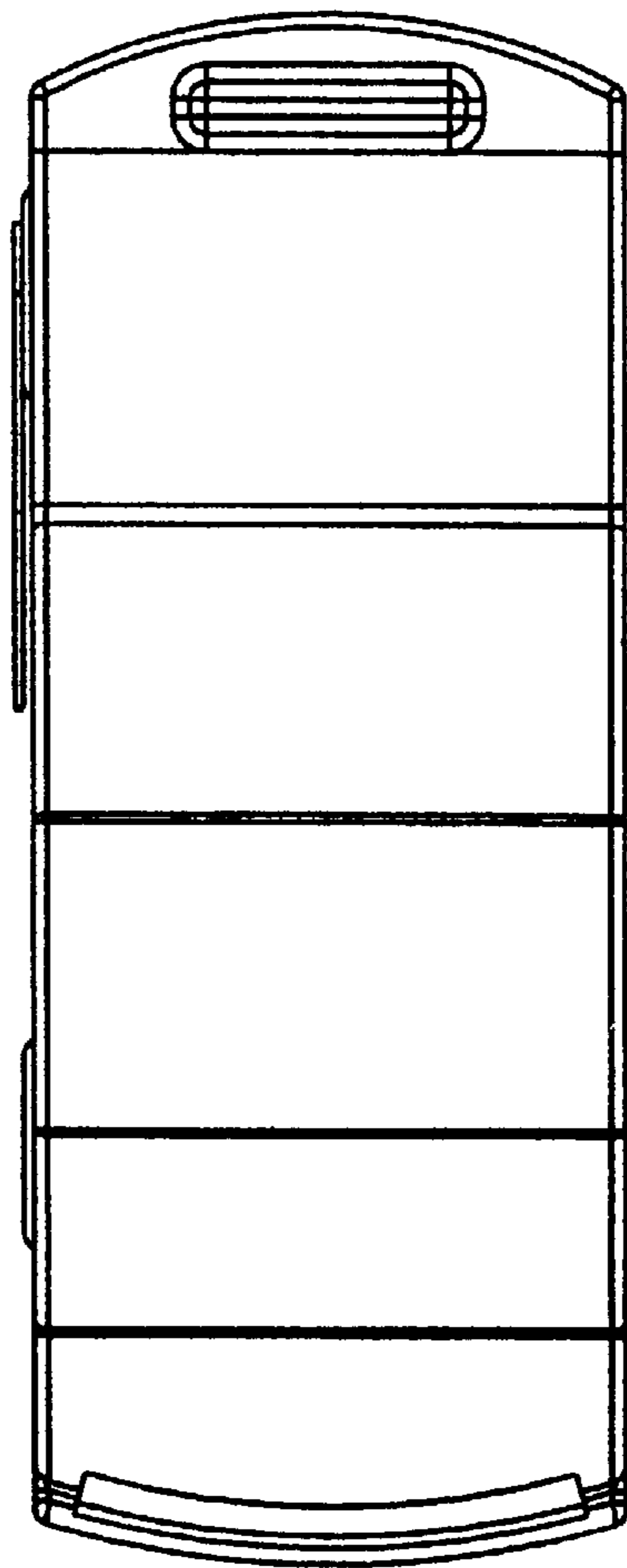


Fig. 6

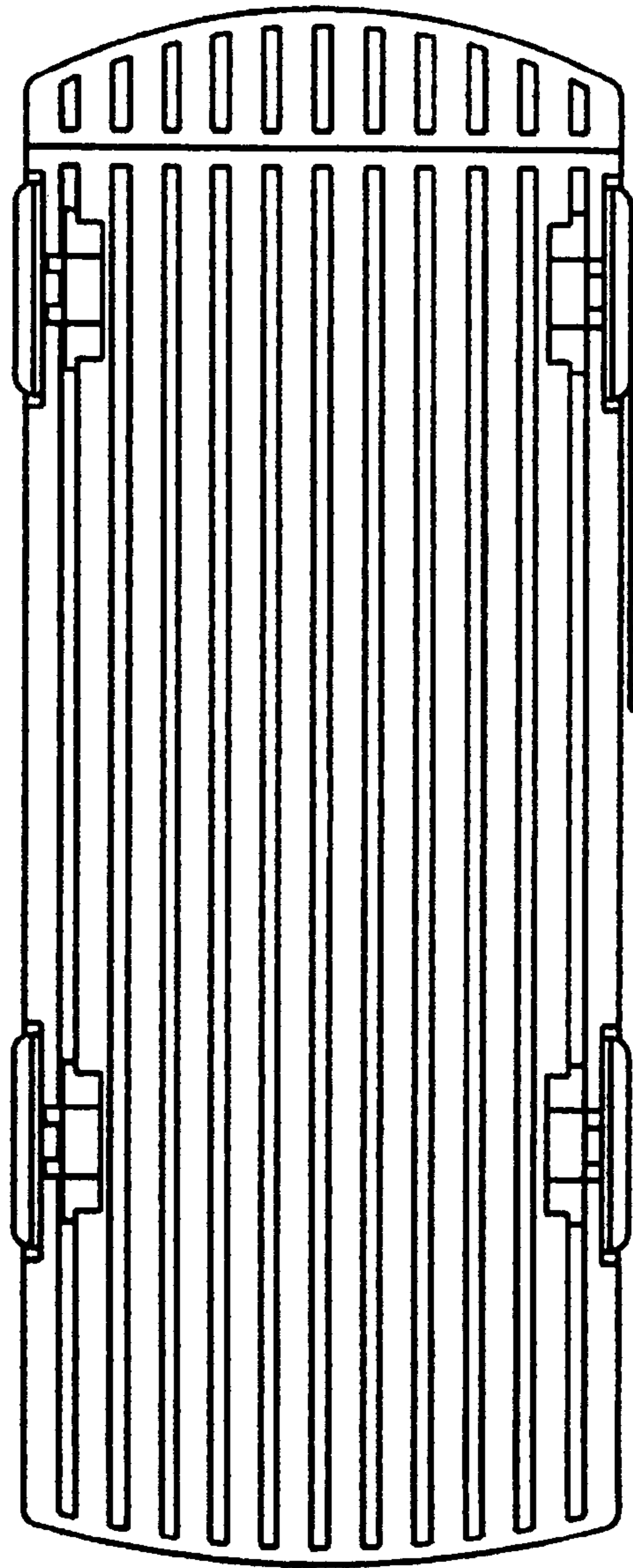


Fig. 7