



US00D472031S

(12) **United States Design Patent**  
**Adams et al.**

(10) **Patent No.:** **US D472,031 S**

(45) **Date of Patent:** **\*\* Mar. 18, 2003**

(54) **SEPARATION MEMBER EXTRUSION**

(75) Inventors: **Fred L. Adams**, Wilmington, NC (US);  
**Robert I. Handler**, Wilmington, NC  
(US); **Robert R. Schlegel**, Monroe  
Township, NJ (US)

(73) Assignee: **Slooters, Inc.**, Burgaw, NC (US)

(\*\*) Term: **14 Years**

(21) Appl. No.: **29/157,447**

(22) Filed: **Mar. 19, 2002**

(51) **LOC (7) Cl.** ..... **09-08**

(52) **U.S. Cl.** ..... **D34/38**

(58) **Field of Search** ..... D8/354; D34/38;  
D25/164, 119, 120, 122, 142; 158/57.31,  
57.33, 51.11, 53.1, 56.1, 56.3

(56) **References Cited**

**U.S. PATENT DOCUMENTS**

3,327,654	A	*	6/1967	Duncan et al.	.....	108/53.1
3,677,436	A	*	7/1972	Danielson	.....	108/53.1
D238,862	S	*	2/1976	Hewson	.....	D34/38
D378,347	S	*	3/1997	Bain	.....	D8/354
5,613,447	A	*	3/1997	Trickett	.....	108/51.11
D384,481	S	*	9/1997	Sheckells	.....	D34/38

5,809,902	A	*	9/1998	Zetterberg	.....	108/51.11
D399,725	S	*	10/1998	Baker	.....	D8/354
D416,782	S	*	11/1999	Reinhardt	.....	D8/354
D443,198	S	*	6/2001	Snyder	.....	D8/354
6,464,191	B1	*	10/2001	Gerber	.....	108/51.11
D456,585	S	*	4/2002	Sandstrom	.....	D34/38
D460,850	S	*	7/2002	Gianpavolo et al.	.....	D34/38
D464,394	S	*	10/2002	Ghafourian et al.	.....	D34/38

\* cited by examiner

*Primary Examiner*—Cynthia E. Ramirez

(74) *Attorney, Agent, or Firm*—Sperry, Zoda & Kane

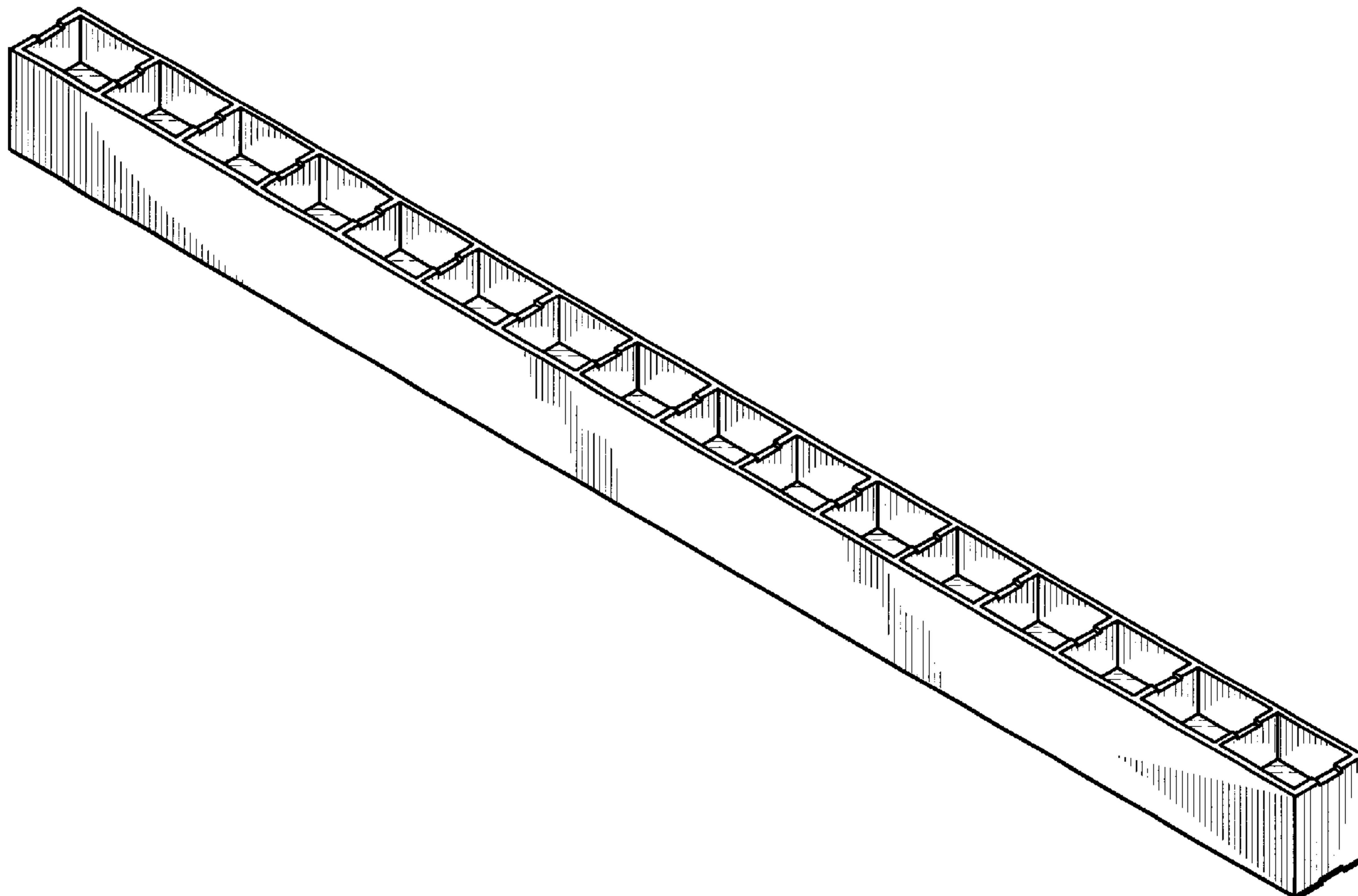
(57) **CLAIM**

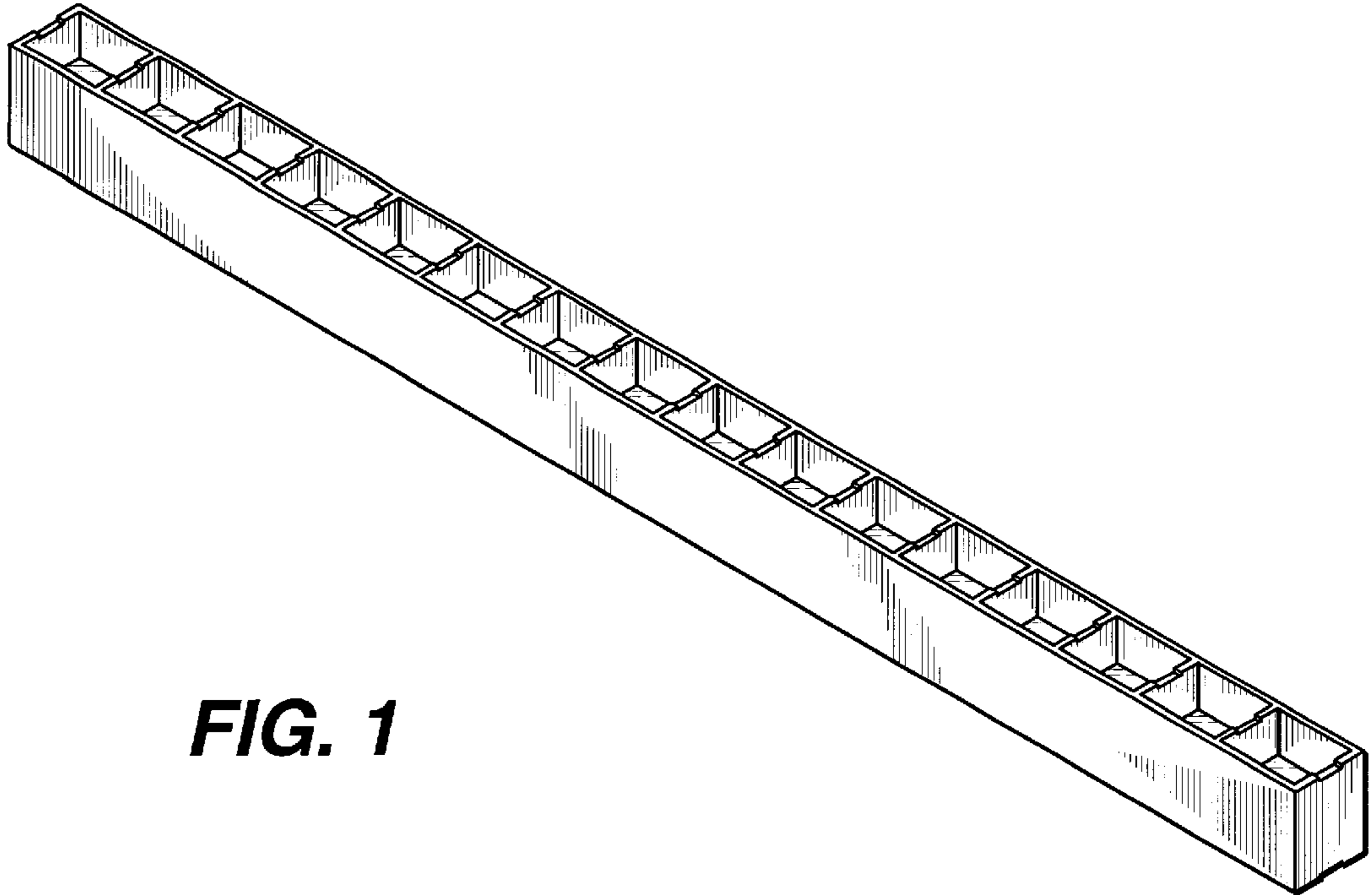
The ornamental design for a separation member extrusion, as shown.

**DESCRIPTION**

FIG. 1 is a front perspective illustration embodying our new design;  
FIG. 2 is a top plan view of the embodiment shown in FIG. 1;  
FIG. 3 is a front plan view of the embodiment shown in FIG. 1; and,  
FIG. 4 is a side plan view of the embodiment shown in FIG. 1.

**1 Claim, 1 Drawing Sheet**





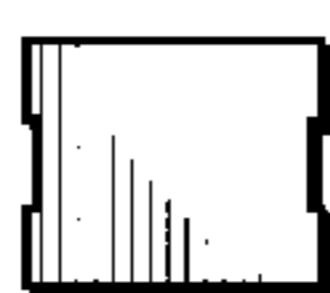
**FIG. 1**



**FIG. 2**



**FIG. 3**



**FIG. 4**