



US00D472030S

(12) **United States Design Patent**
Lee

(10) **Patent No.:** **US D472,030 S**

(45) **Date of Patent:** **** Mar. 18, 2003**

(54) **PULLING APPARATUS**

(76) **Inventor:** **I-Ming Lee, 58-2, Ta Lun Street, Fu Hsing Hsiang, Chang-Hua (TW)**

(**) **Term:** **14 Years**

(21) **Appl. No.:** **29/154,237**

(22) **Filed:** **Jan. 23, 2002**

(51) **LOC (7) Cl.** **12-05**

(52) **U.S. Cl.** **D34/33; D34/28**

(58) **Field of Search** **D34/28, 35, 33; D8/14, 21, 28, 54; 294/82.11; 280/490.1; 254/264, 252, 382, 374, 356, 380, 369, 335, 401**

D307,659 S	*	5/1990	Kobayashi et al.	D34/33
5,058,243 A	*	10/1991	Rasmussen	254/380
D329,728 S	*	9/1992	Ladek	D34/28
D346,258 S	*	4/1994	Zankich	D34/33
D348,968 S	*	7/1994	Elejaga	D34/35
5,533,712 A	*	7/1996	Fujikawa et al.	254/369
D407,175 S	*	3/1999	Nishimura	D34/33
D459,047 S	*	6/2002	Tanaka	D34/28
6,422,625 B1	*	7/2002	VanDerLaan	294/82.11

* cited by examiner

Primary Examiner—Cynthia E. Ramirez

(74) *Attorney, Agent, or Firm*—Bacon & Thomas, PLLC

(57) **CLAIM**

The ornamental design for a pulling apparatus, as shown and described.

DESCRIPTION

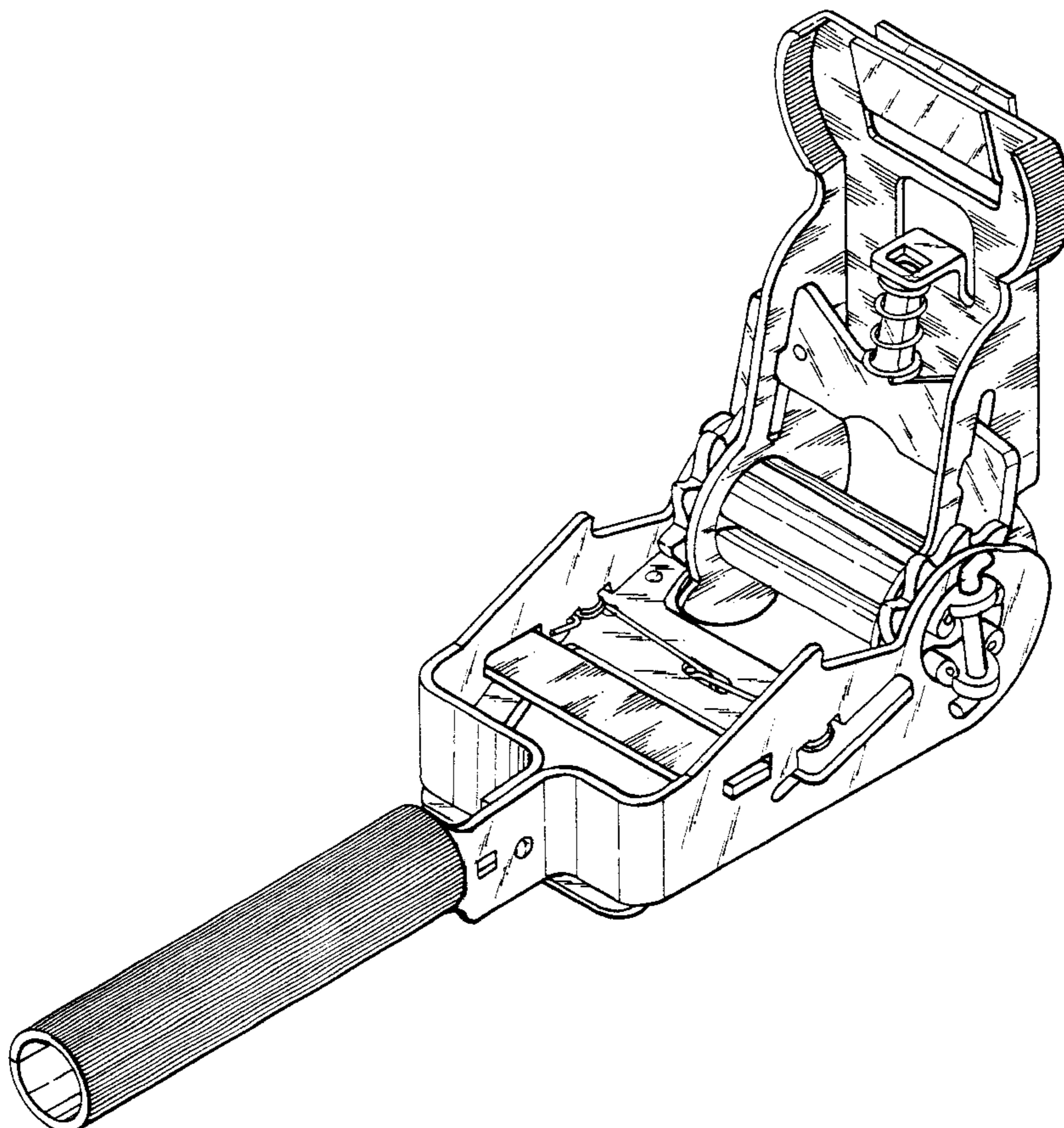
FIG. 1. is a front elevational view of a pulling apparatus showing my new design;
FIG. 2. is a rear elevational view thereof;
FIG. 3. is a left side elevational view thereof;
FIG. 4. is a right side elevational view thereof;
FIG. 5. is a top plan view thereof;
FIG. 6. is a bottom plan view thereof;
FIG. 7. is a perspective view thereof; and,
FIG. 8. is a schematic view thereof at work.

1 Claim, 5 Drawing Sheets

(56) **References Cited**

U.S. PATENT DOCUMENTS

1,945,712 A	*	2/1934	Wadd	254/264
2,130,464 A	*	9/1938	Hendrick	254/252
D220,354 S	*	3/1971	Russell et al.	D34/33
D230,436 S	*	2/1974	Clark	D34/33
D238,861 S	*	2/1976	Cavalieri	D34/33
4,445,669 A	*	5/1984	Wilson	254/369
4,510,651 A	*	4/1985	Prete, Jr. et al.	254/380
D298,078 S	*	10/1988	Stoker	D34/33
4,799,296 A	*	1/1989	Rasmussen	254/380
D304,119 S	*	10/1989	Lyall et al.	D34/33



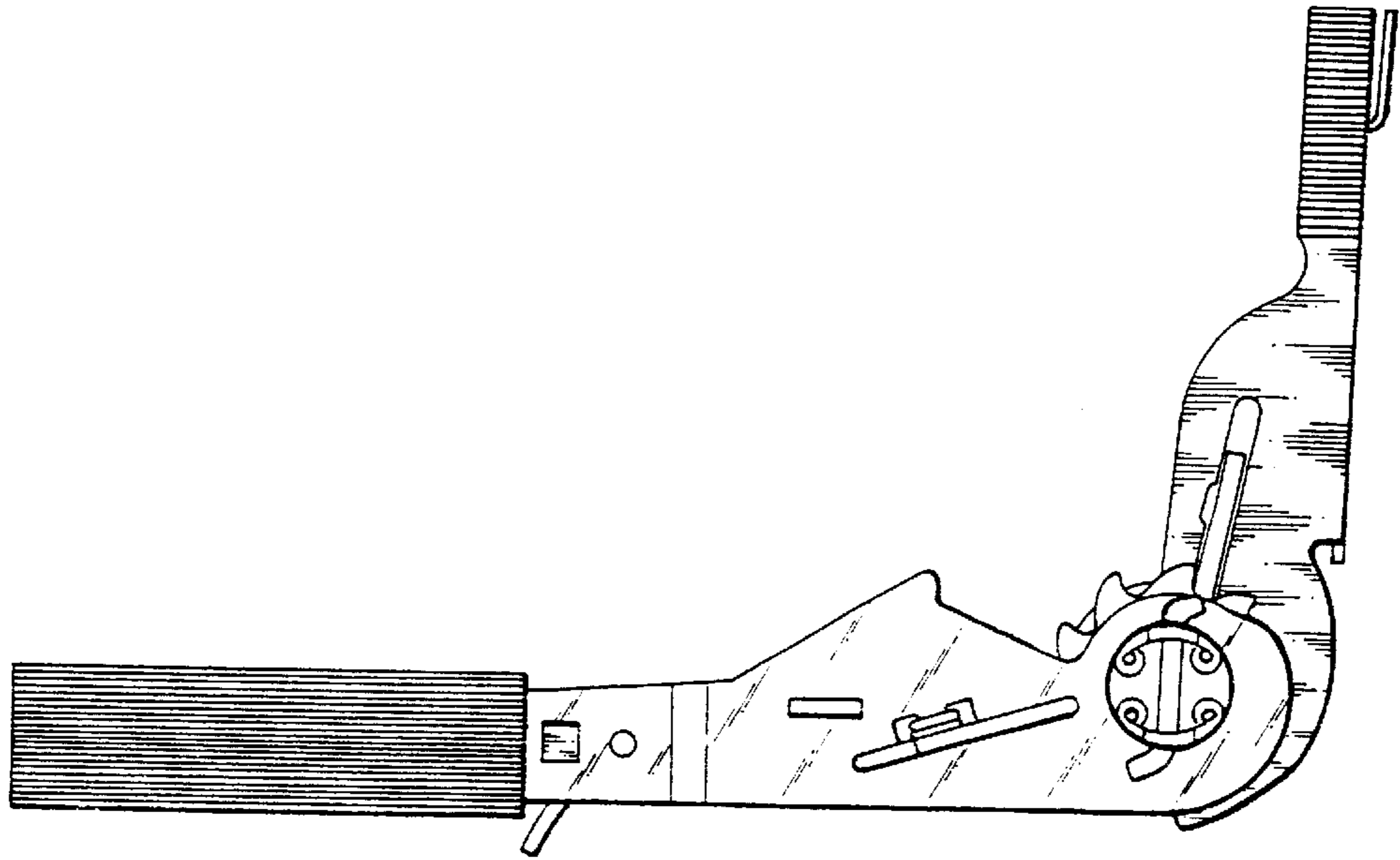


FIG. 1

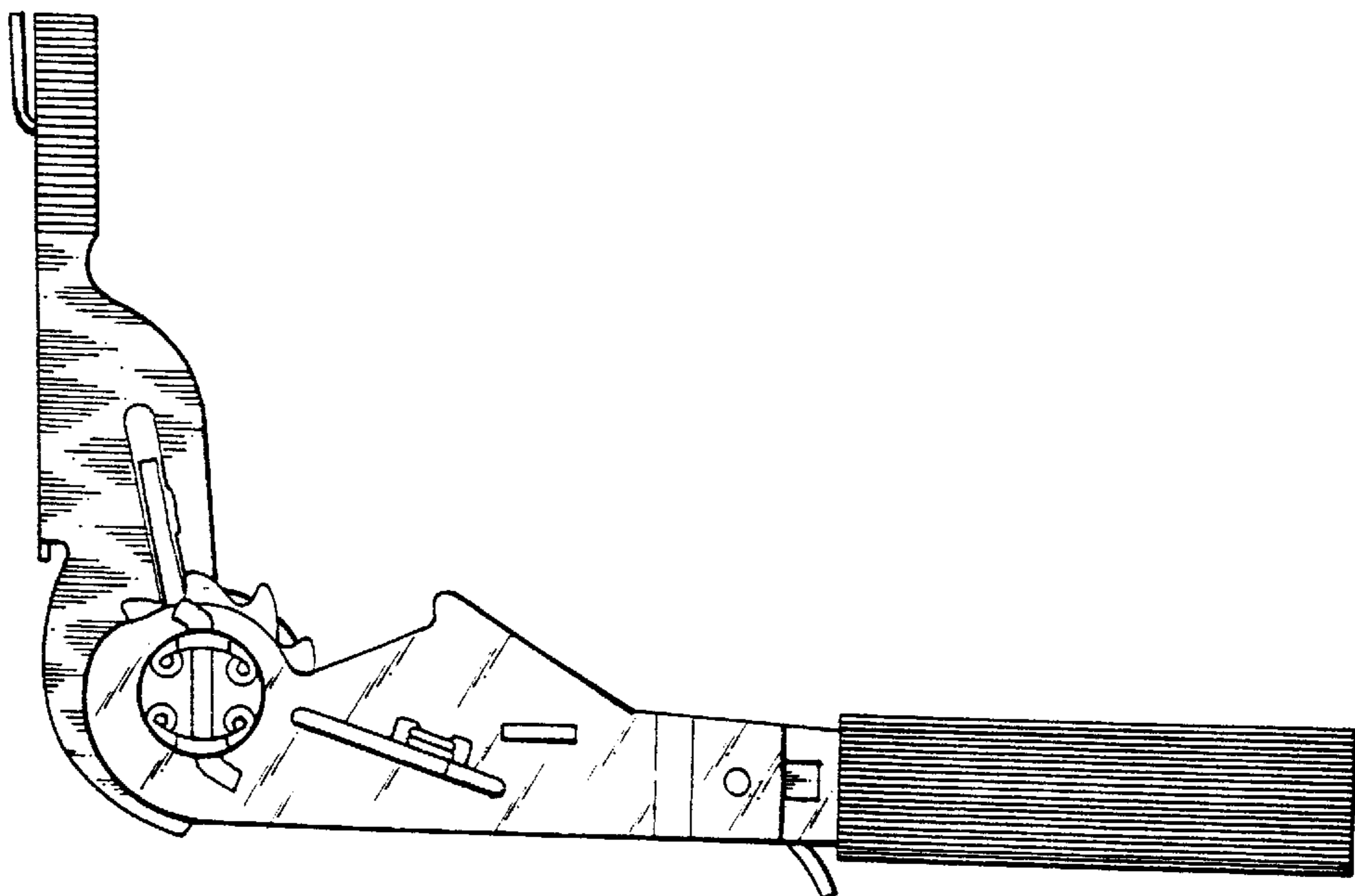


FIG. 2

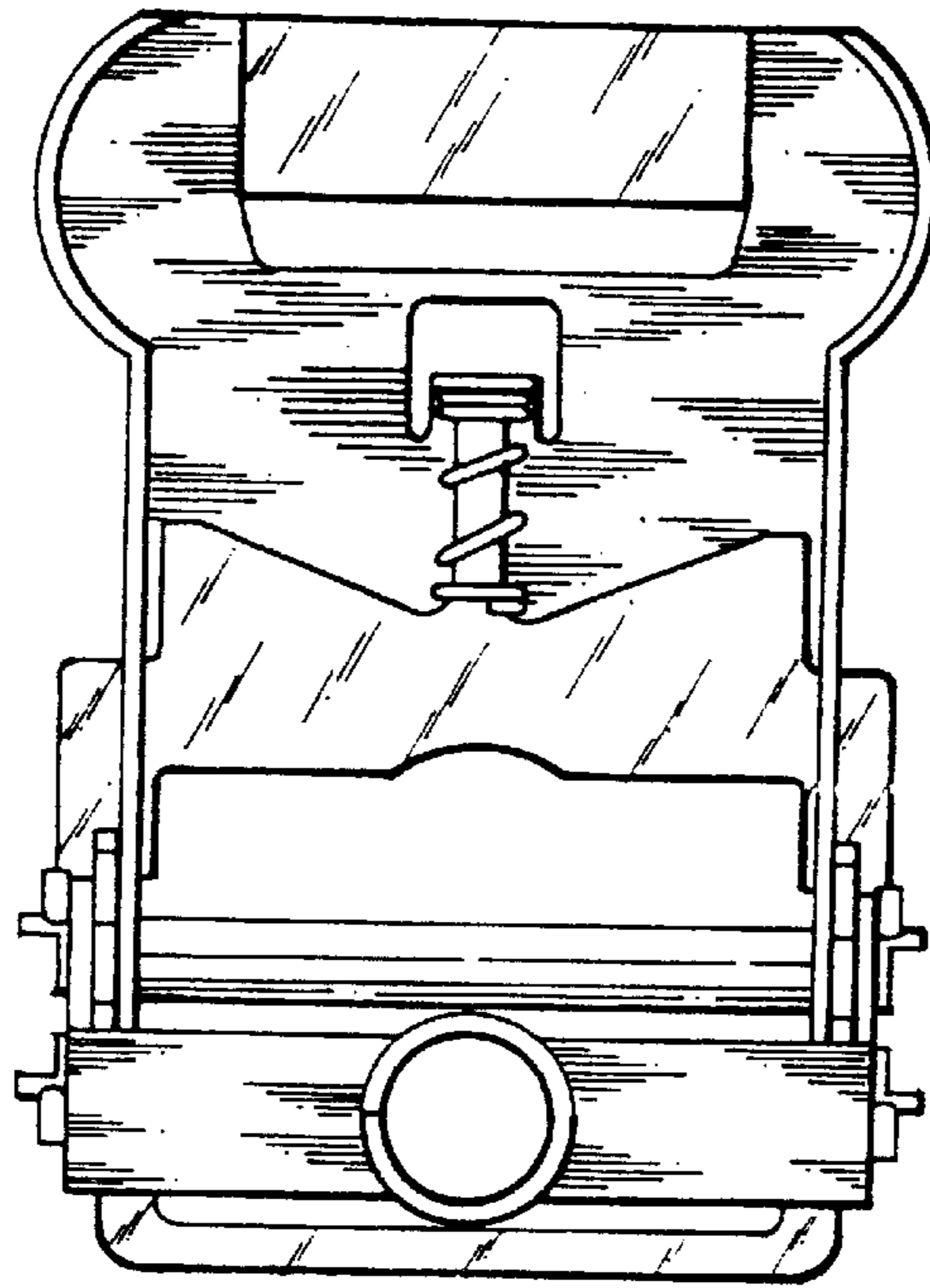


FIG. 3

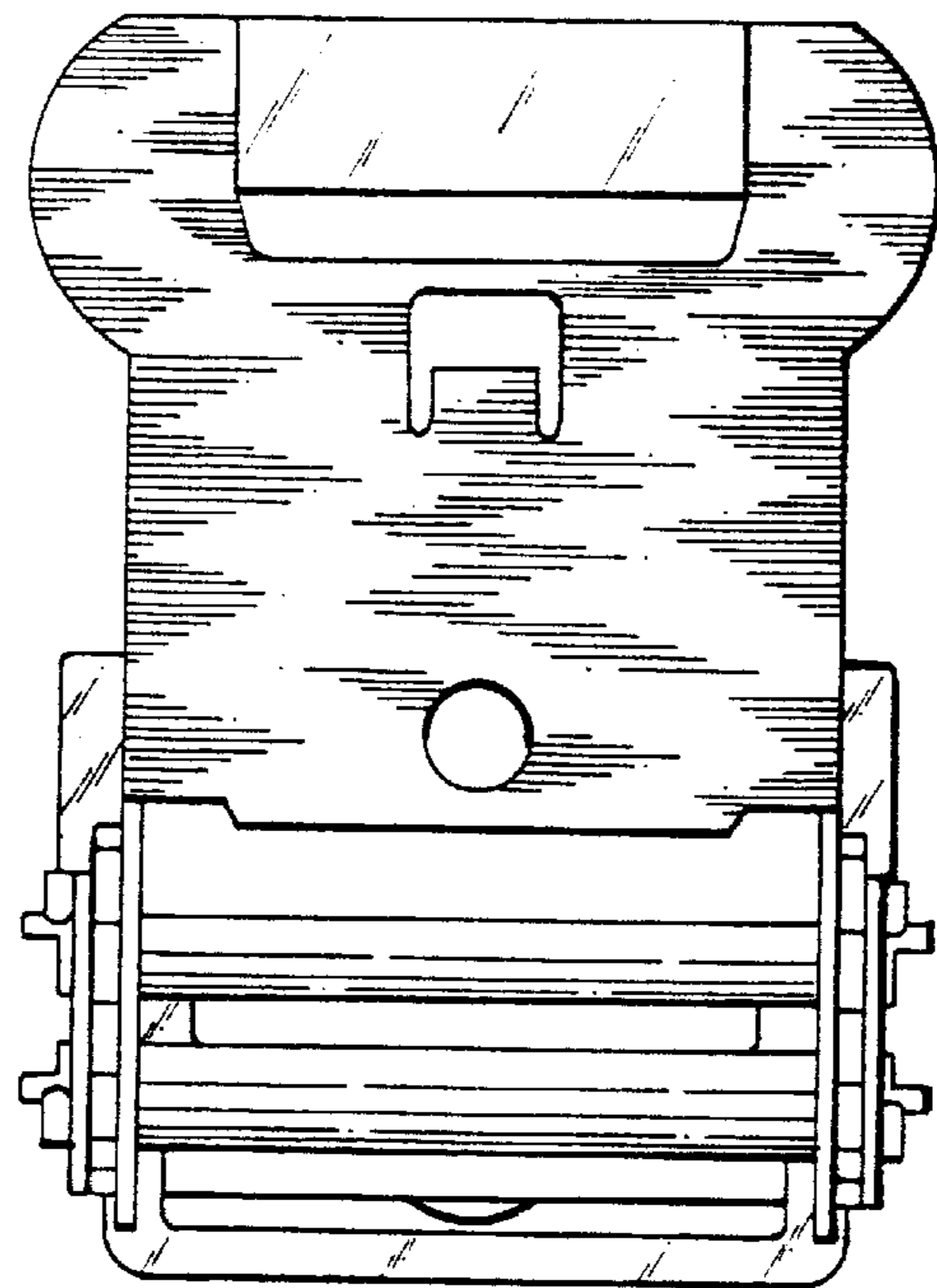


FIG. 4

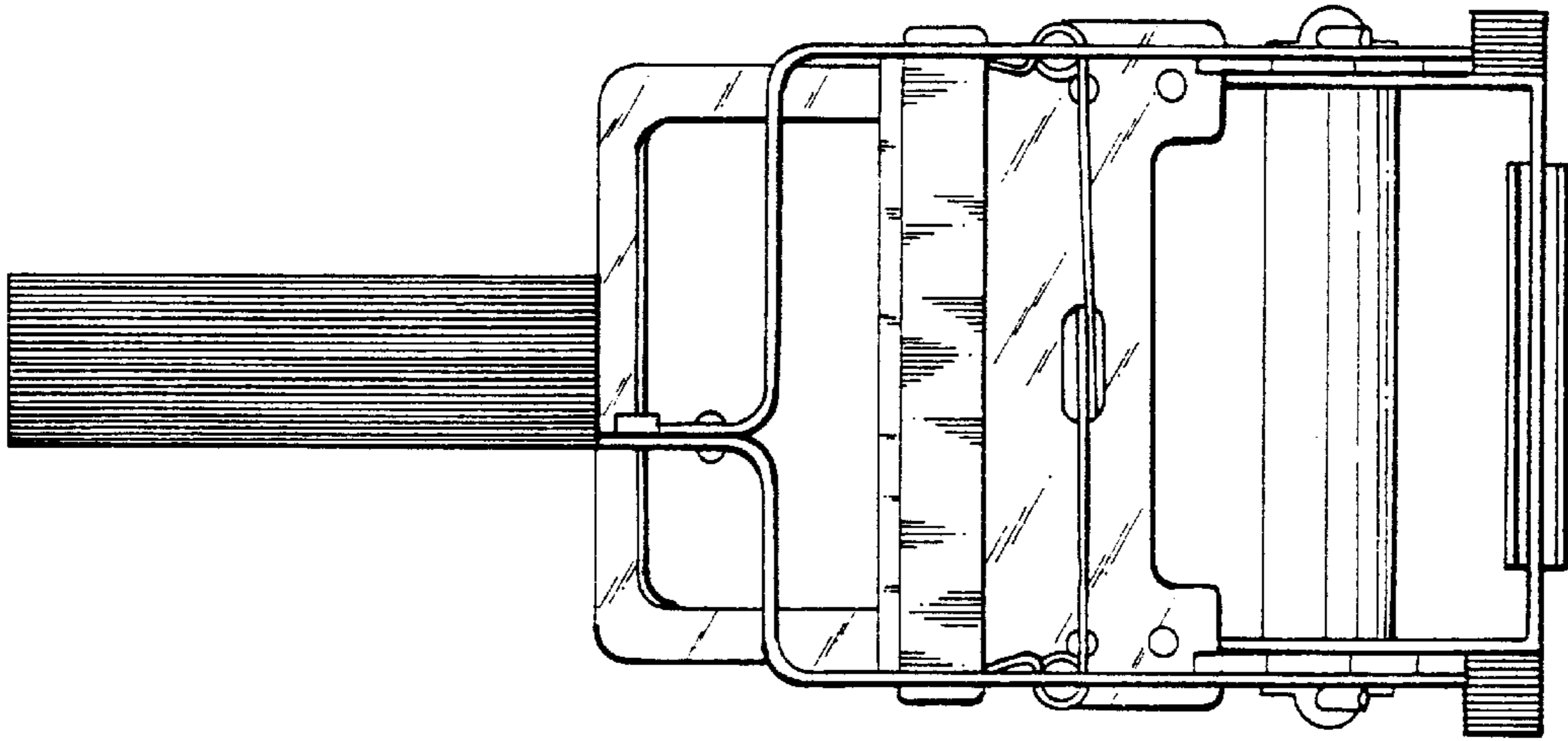


FIG. 5

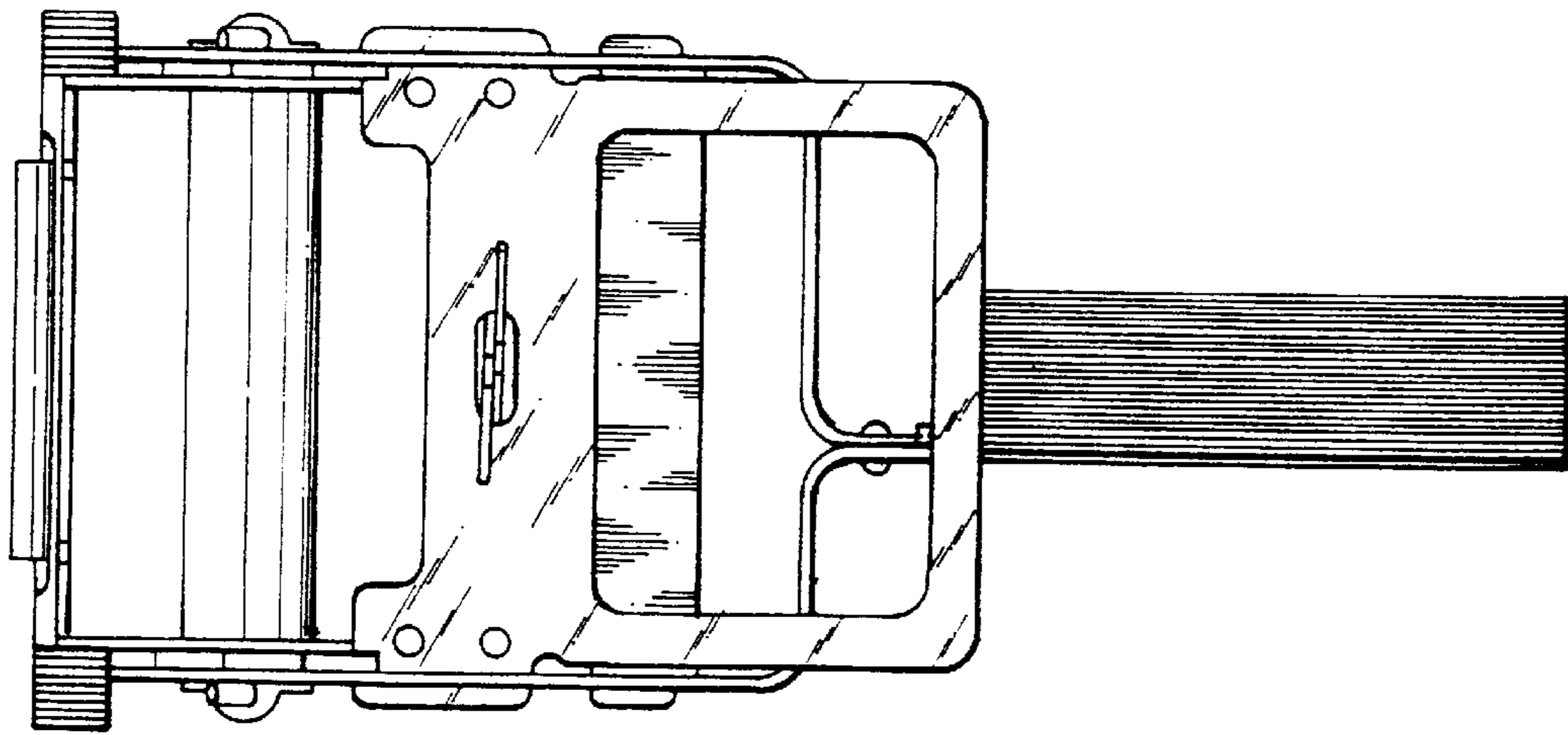


FIG. 6

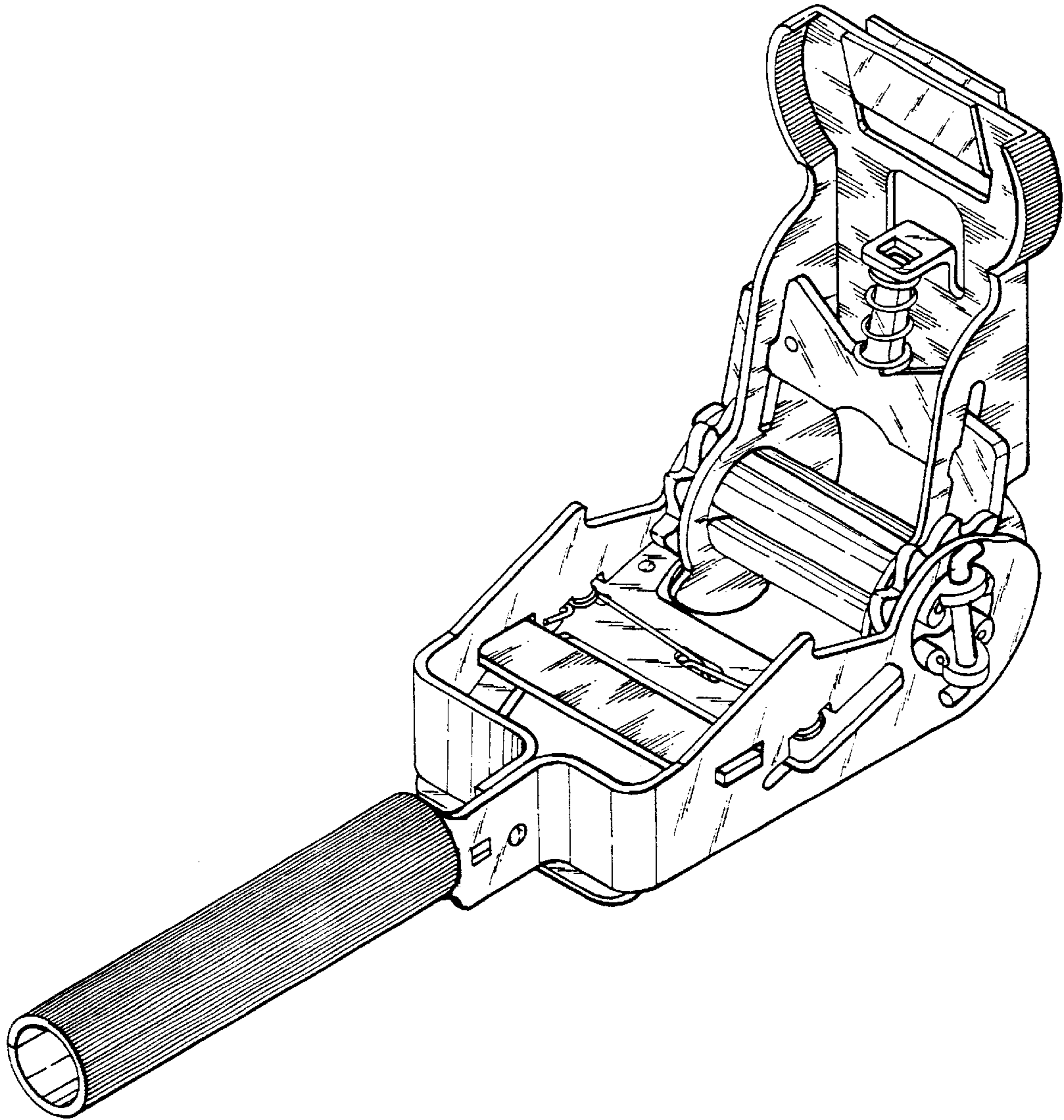


FIG. 7

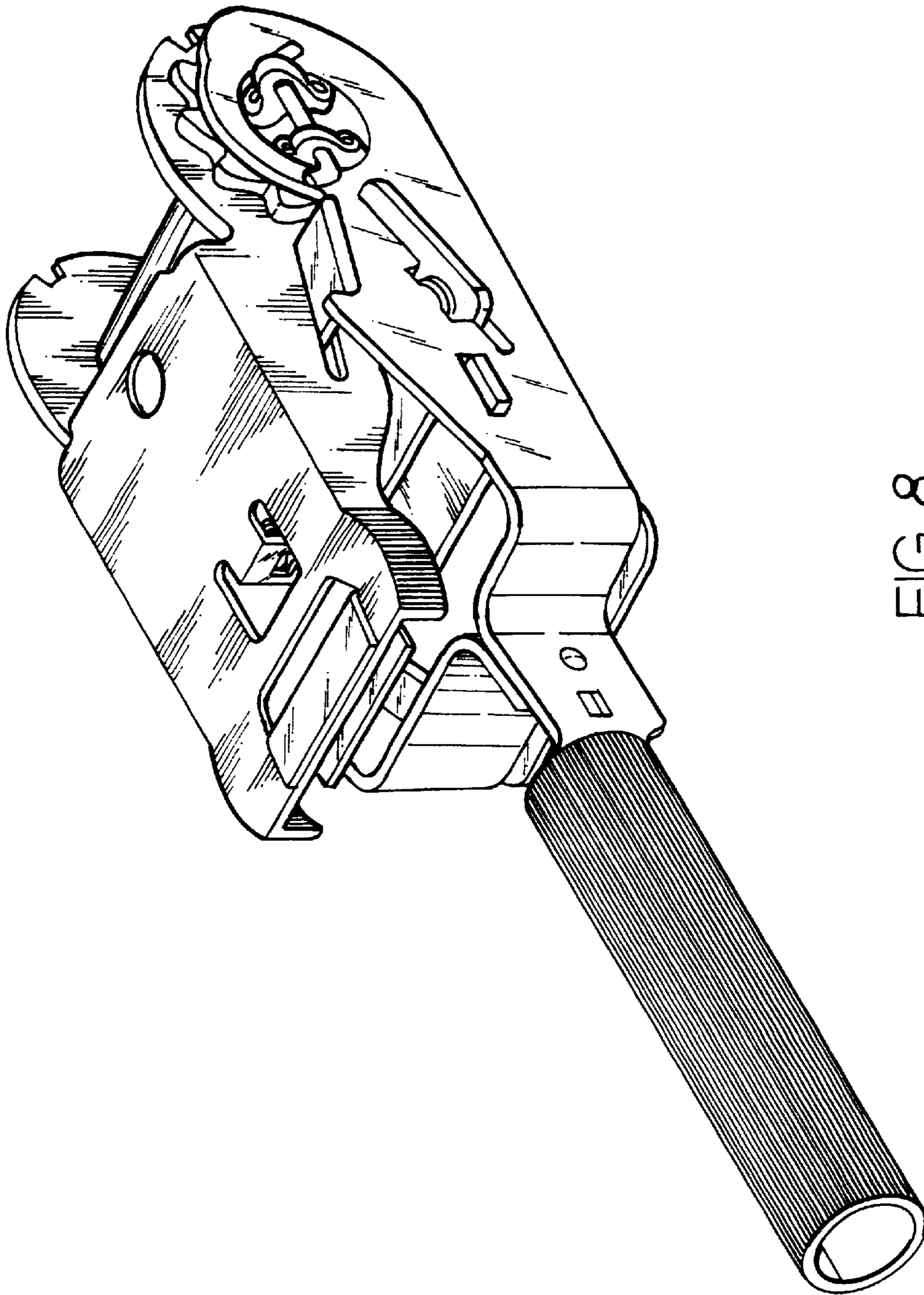


FIG. 8