



US00D472029S

(12) **United States Design Patent**
Ji et al.

(10) **Patent No.:** **US D472,029 S**

(45) **Date of Patent:** **** Mar. 18, 2003**

(54) **MOTORCYCLE JACK ADAPTER**

(76) Inventors: **Jun Ji**, 2210 E. Artesia Blvd., Long Beach, CA (US) 90805; **Jerome Cawley**, 2210 E. Artesia Blvd., Long Beach, CA (US) 90805; **Dennis Trine**, 2210 E. Artesia Blvd., Long Beach, CA (US) 90805

(**) Term: **14 Years**

(21) Appl. No.: **29/154,034**

(22) Filed: **Jan. 14, 2002**

(51) **LOC (7) Cl.** **12-05**

(52) **U.S. Cl.** **D34/31**

(58) **Field of Search** D34/31, 35; 280/163.1; 254/126, 22, 93 H, 93 R, 134, 420, 2 R, 8 R; D13/183

(56) **References Cited**

U.S. PATENT DOCUMENTS

3,923,286 A	*	12/1975	Raugh	254/8 R
4,180,252 A	*	12/1979	Cushenbery	254/93 R
4,549,721 A	*	10/1985	Stone	254/126
D286,935 S	*	11/1986	Travis	D34/31
4,764,075 A	*	8/1988	Cox et al.	254/126
D298,879 S	*	12/1988	Corbett	D34/31
4,955,450 A	*	9/1990	Deinlein-kalb et al.	..	280/763.1
5,324,002 A	*	6/1994	Obergerger	254/126
D357,650 S	*	4/1995	Evans et al.	D34/31
D364,259 S	*	11/1995	Garceau	D34/31
D376,036 S	*	11/1996	Lanigan, Sr. et al.	D34/35
D379,018 S	*	4/1997	Miller	D34/28

D384,473 S	*	9/1997	Thole	D34/31
D384,474 S	*	9/1997	White	D34/31
5,690,315 A	*	11/1997	Thomas	254/93 R
D389,980 S	*	1/1998	Friz	D34/31
D425,281 S	*	5/2000	Ridge	D34/31
D431,707 S	*	10/2000	Few	D34/31
6,139,056 A	*	10/2000	Sourdeau	280/763.1
D440,022 S	*	4/2001	Simpson et al.	D34/31
D443,747 S	*	6/2001	Ridge	D34/31
6,305,668 B1	*	10/2001	Edens	254/93 R
6,338,470 B1	*	1/2002	Steely et al.	254/126

* cited by examiner

Primary Examiner—Cynthia E. Ramirez

(57) **CLAIM**

The ornamental design for the motorcycle jack adapter, as shown and described.

DESCRIPTION

FIG. 1 is a rear view of my new design.
 FIG. 2 is a top plan view thereof.
 FIG. 3 is a front view thereof.
 FIG. 4 is a left view thereof.
 FIG. 5 is a bottom side thereof.
 FIG. 6 is a perspective view thereof in a first position of use; and,
 FIG. 7 is a perspective view of my new design in a second position of use.
 The broken line showing of nuts and bolts in the figures is for illustrative purposes only and forms no part of the claimed design.

1 Claim, 4 Drawing Sheets

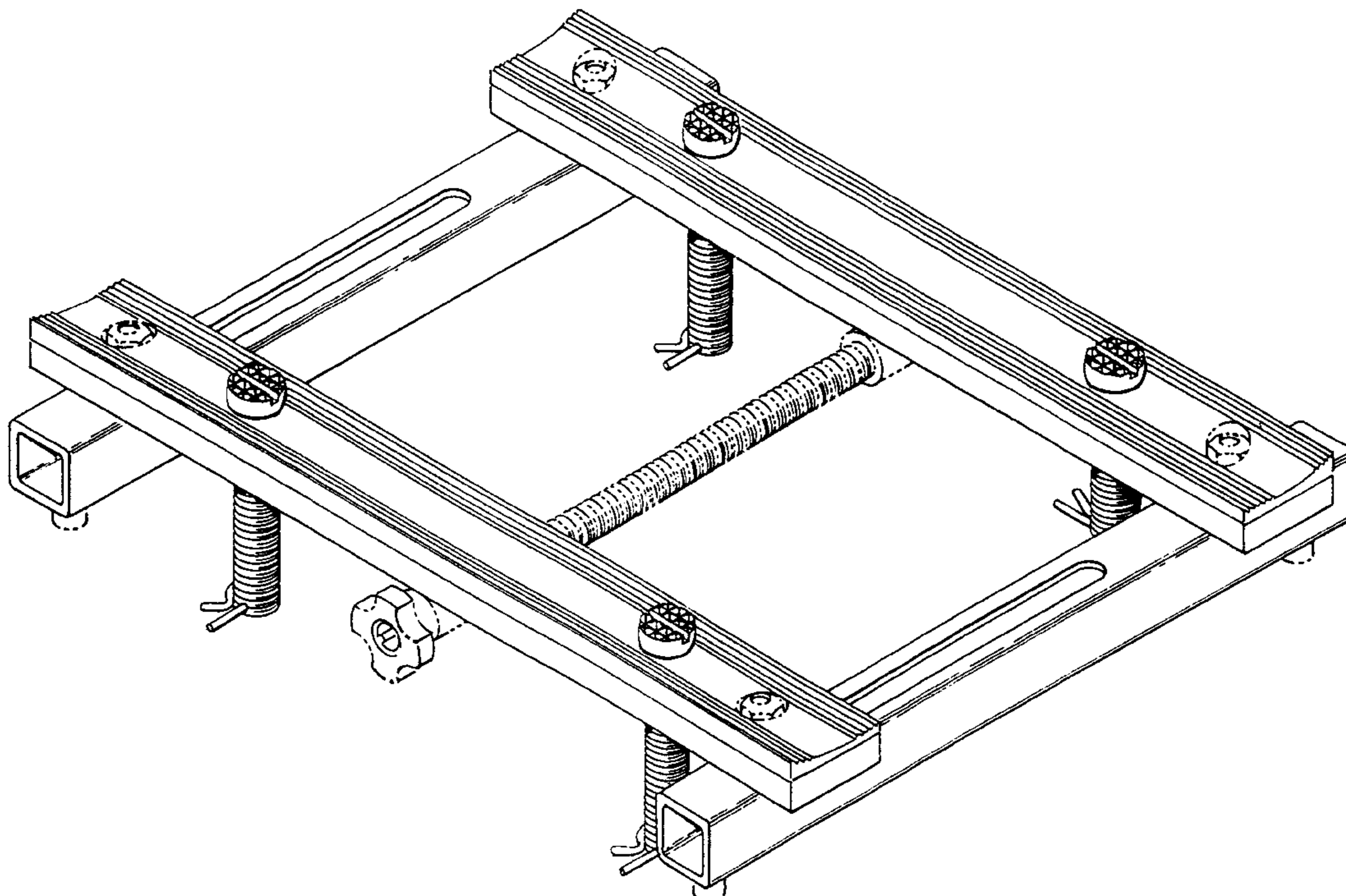


FIG. 1

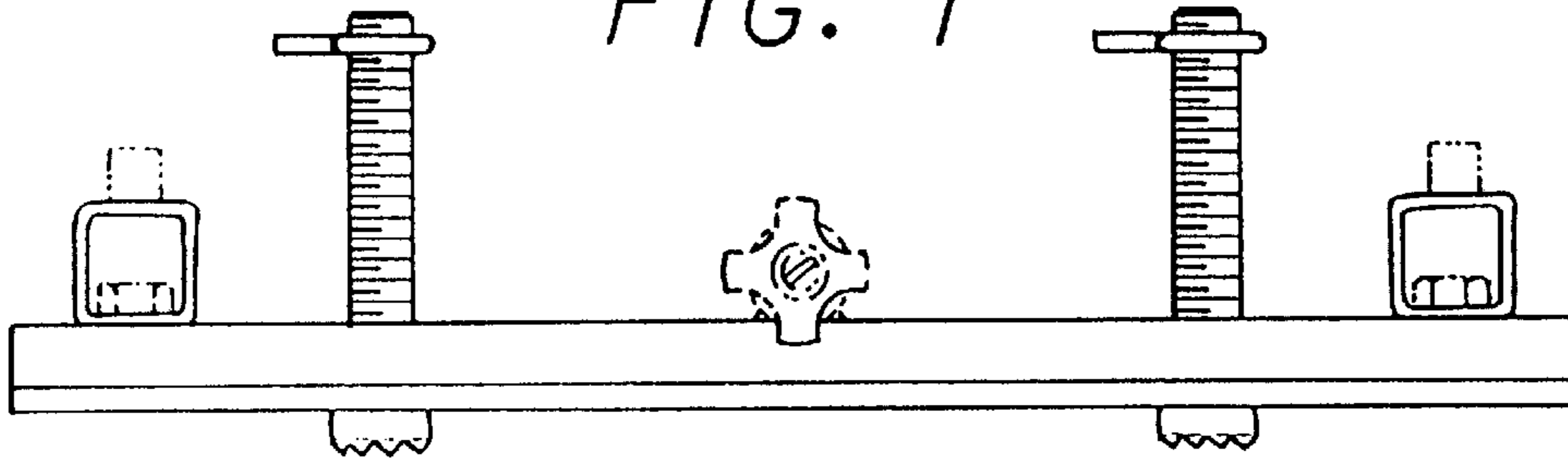


FIG. 2

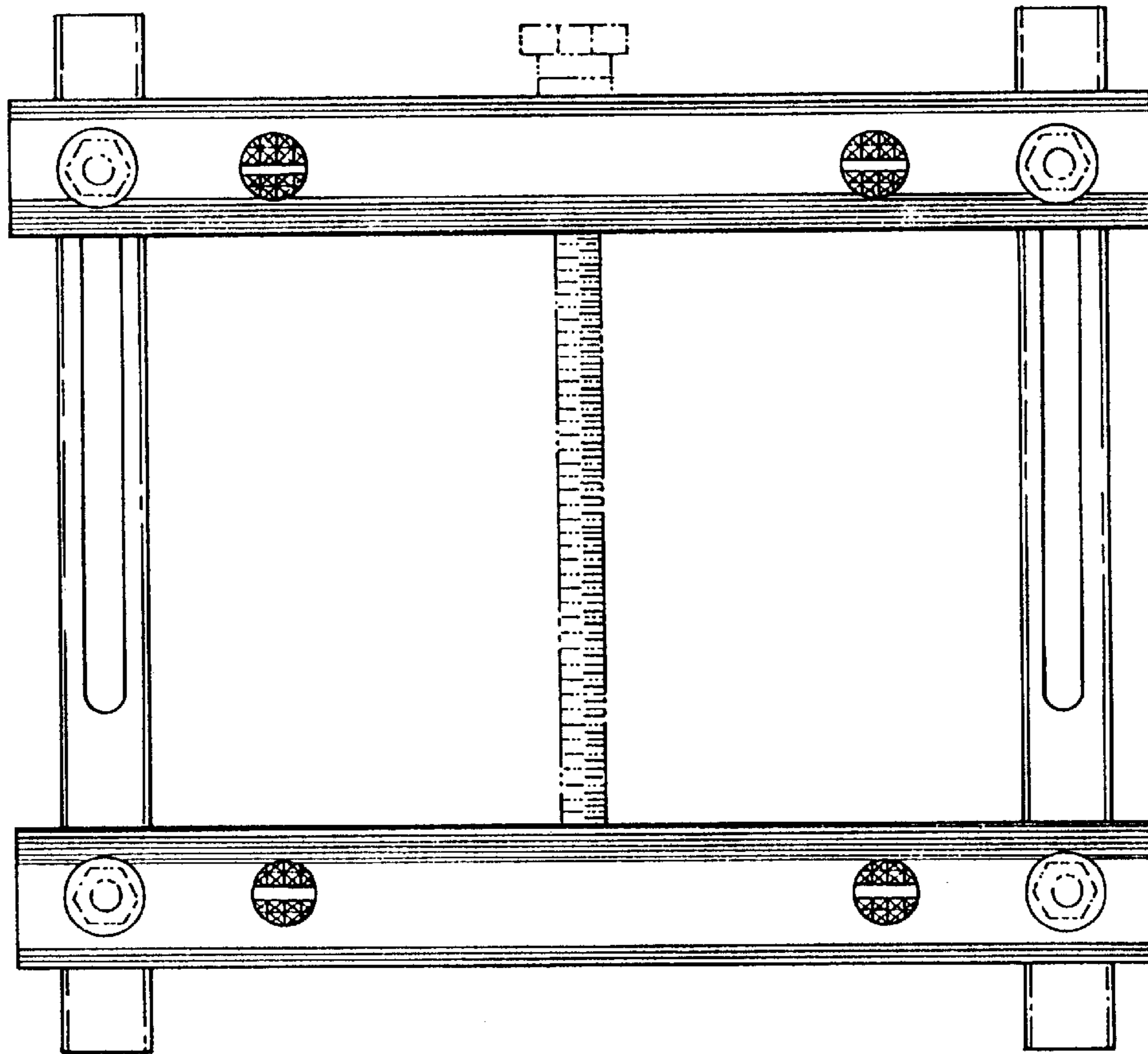
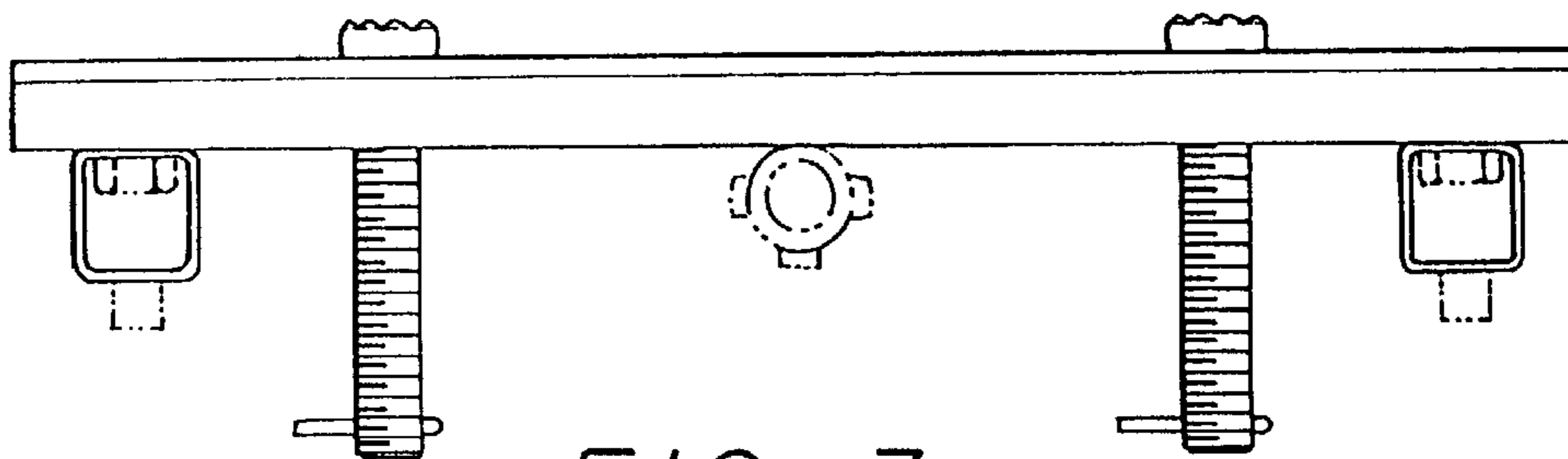


FIG. 3



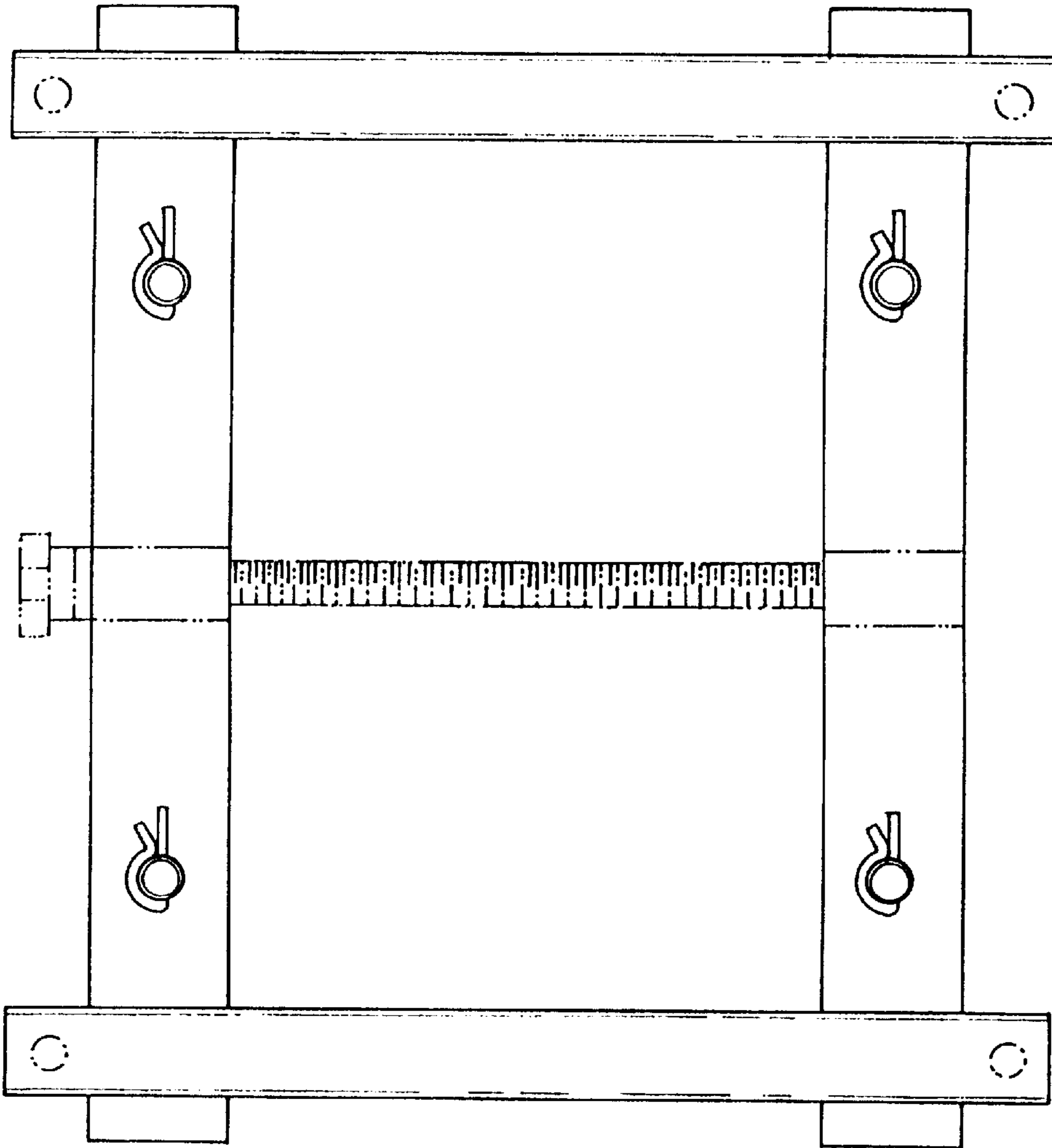


FIG. 5

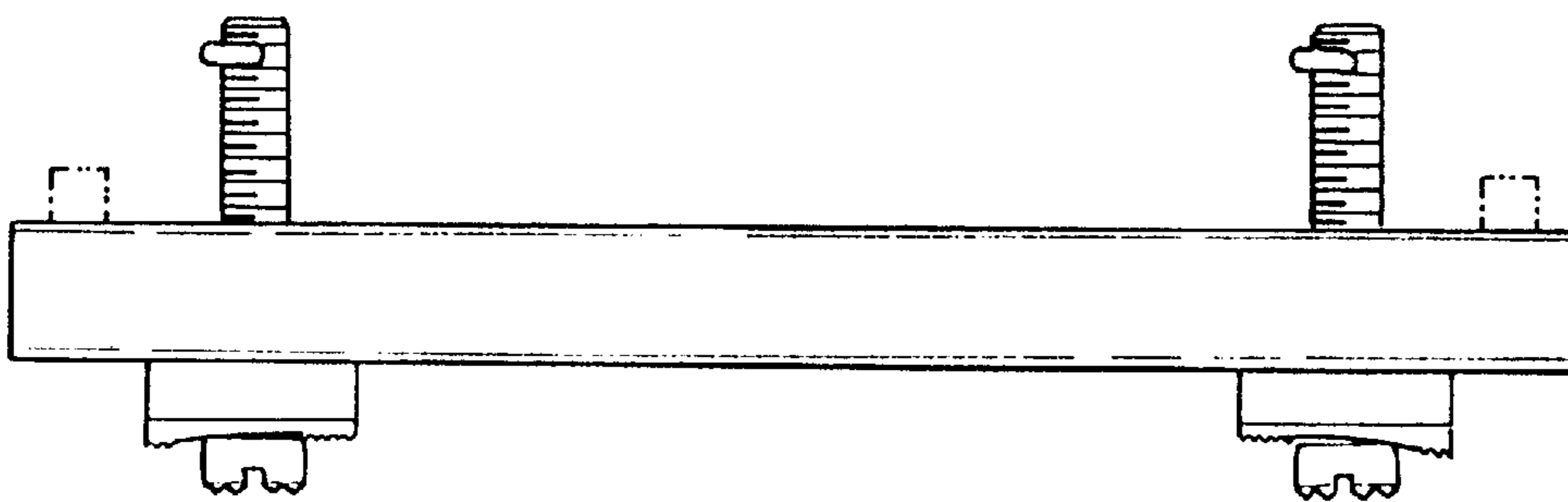


FIG. 4

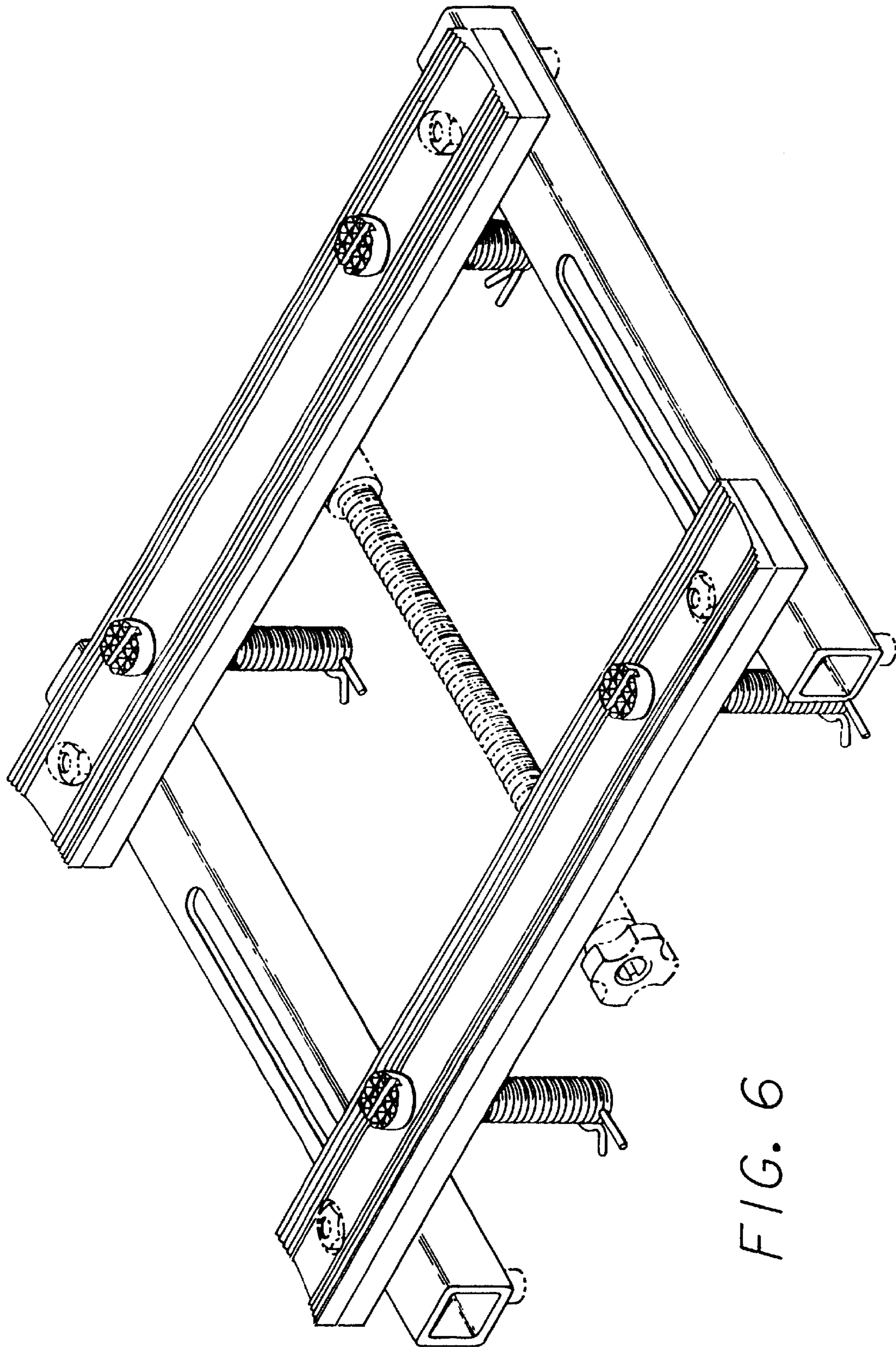


FIG. 6

FIG. 7

