



US00D472027S

(12) **United States Design Patent**  
**Walter**

(10) **Patent No.:** **US D472,027 S**

(45) **Date of Patent:** **\*\* Mar. 18, 2003**

(54) **TOTE CART**

D455,243 S 4/2002 Walter

(76) **Inventor:** **Ivor Michel Walter**, 5882 Orchard  
Creek La., Boulder, CO (US) 80301

(\*\*) **Term:** **14 Years**

(21) **Appl. No.:** **29/162,755**

(22) **Filed:** **Jun. 20, 2002**

(51) **LOC (7) Cl.** ..... **12-02**

(52) **U.S. Cl.** ..... **D34/21**

(58) **Field of Search** ..... D34/12-27; 280/47.18,  
280/47.19, 47.24, 47.27, 47.28, 47.29, 47.34,  
654, 655, 655.1, 79.3

(56) **References Cited**

**U.S. PATENT DOCUMENTS**

D238,663 S	*	2/1976	Schifman	.....	D34/22
D240,297 S		6/1976	Trubiano		
D282,499 S		2/1986	Alstrom		
D331,135 S		11/1992	Lewandowski et al.		
D365,904 S		1/1996	Adamson et al.		
D367,348 S		2/1996	Basharat		
D379,834 S		6/1997	Huang		
D386,873 S		11/1997	Langlois D'Estaintot et al.		
D399,625 S		10/1998	Murphy et al.		
D407,882 S		4/1999	Duchene		
D415,600 S		10/1999	Hsieh et al.		
D449,913 S		10/2001	Walter		

**OTHER PUBLICATIONS**

Unarco Industries, Inc. home page (<http://www.unarco.com>)  
History of the Shopping Cart from Unarco Industries, Inc.  
web site (<http://www.unarco.com/briefhistory.htm>).

\* cited by examiner

*Primary Examiner*—Kay H. Chin

(74) *Attorney, Agent, or Firm*—Rick Martin; Patent Law  
Offices of Rick Martin, P.C.

(57) **CLAIM**

The ornamental design for a tote cart, as shown.

**DESCRIPTION**

FIG. 1 is a right side plan view of my new design for a tote cart shown in the preferred embodiment.

FIG. 2 is a top plan view of the preferred embodiment shown in FIG. 1.

FIG. 3 is a bottom plan view of the preferred embodiment shown in FIG. 1.

FIG. 4 is a front plan view of the preferred embodiment shown in FIG. 1.

FIG. 5 is a rear plan view of the preferred embodiment shown in FIG. 1; and,

FIG. 6 is a front perspective view of the preferred embodiment shown in FIG. 1.

**1 Claim, 2 Drawing Sheets**



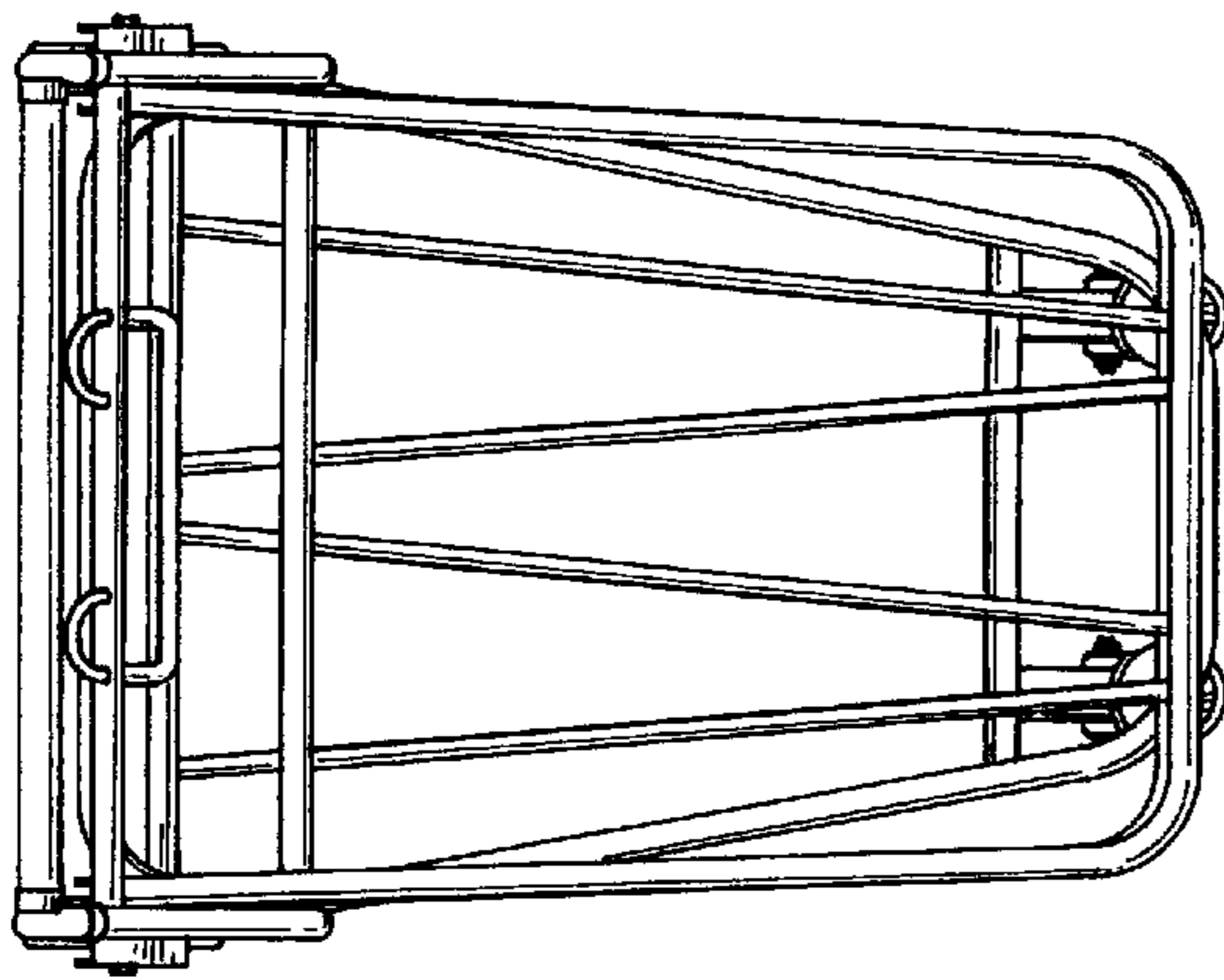


FIG. 2

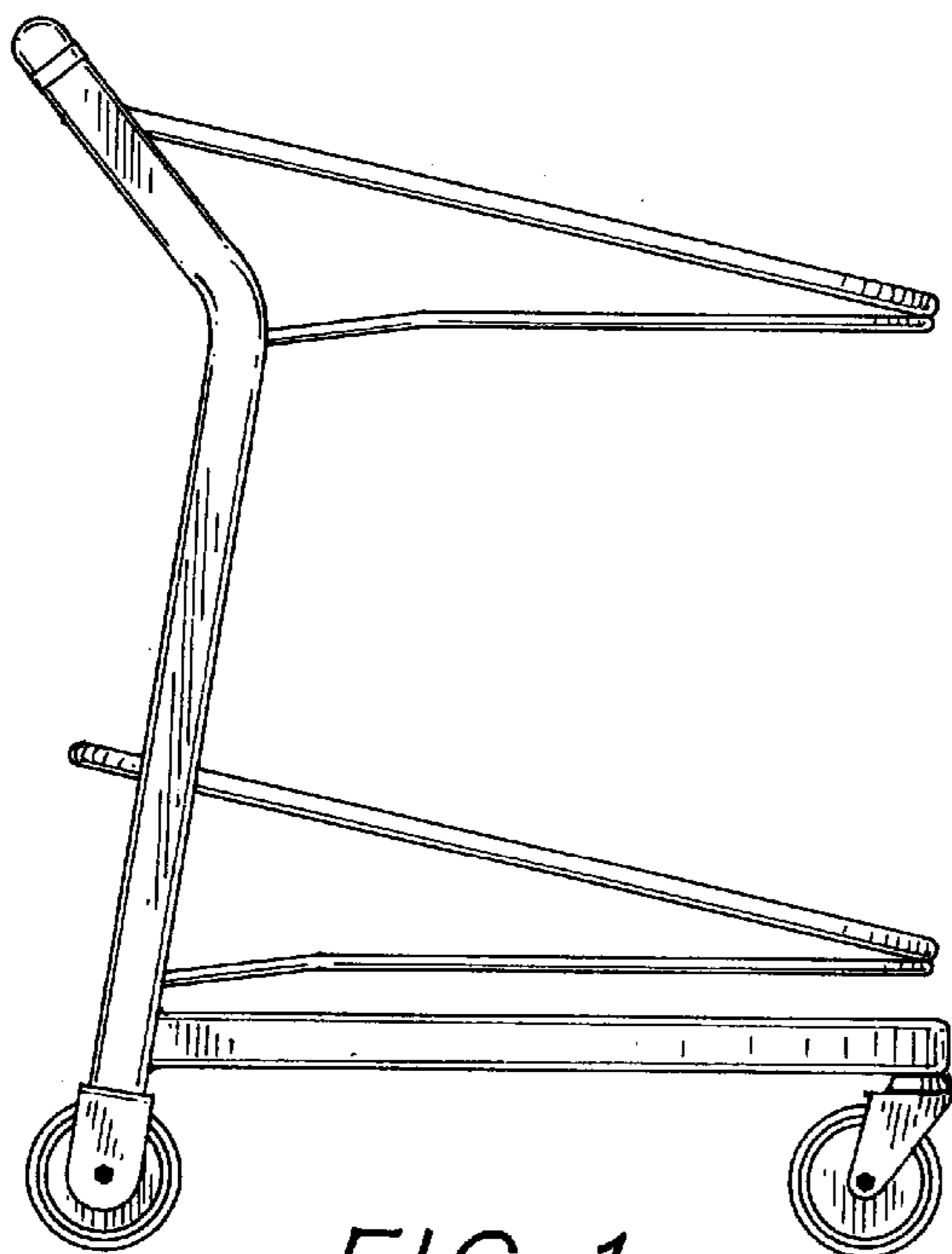


FIG. 1

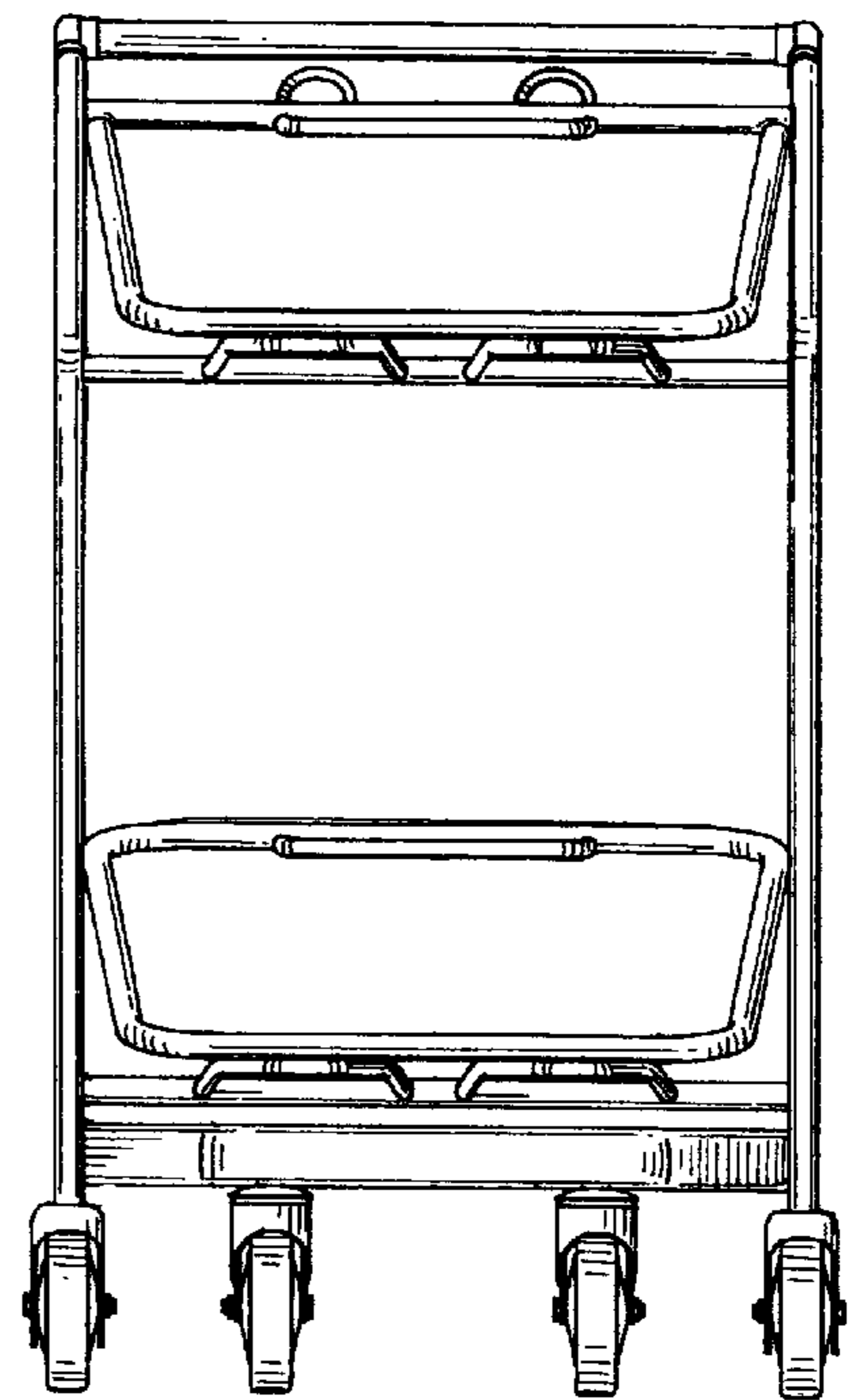


FIG. 4

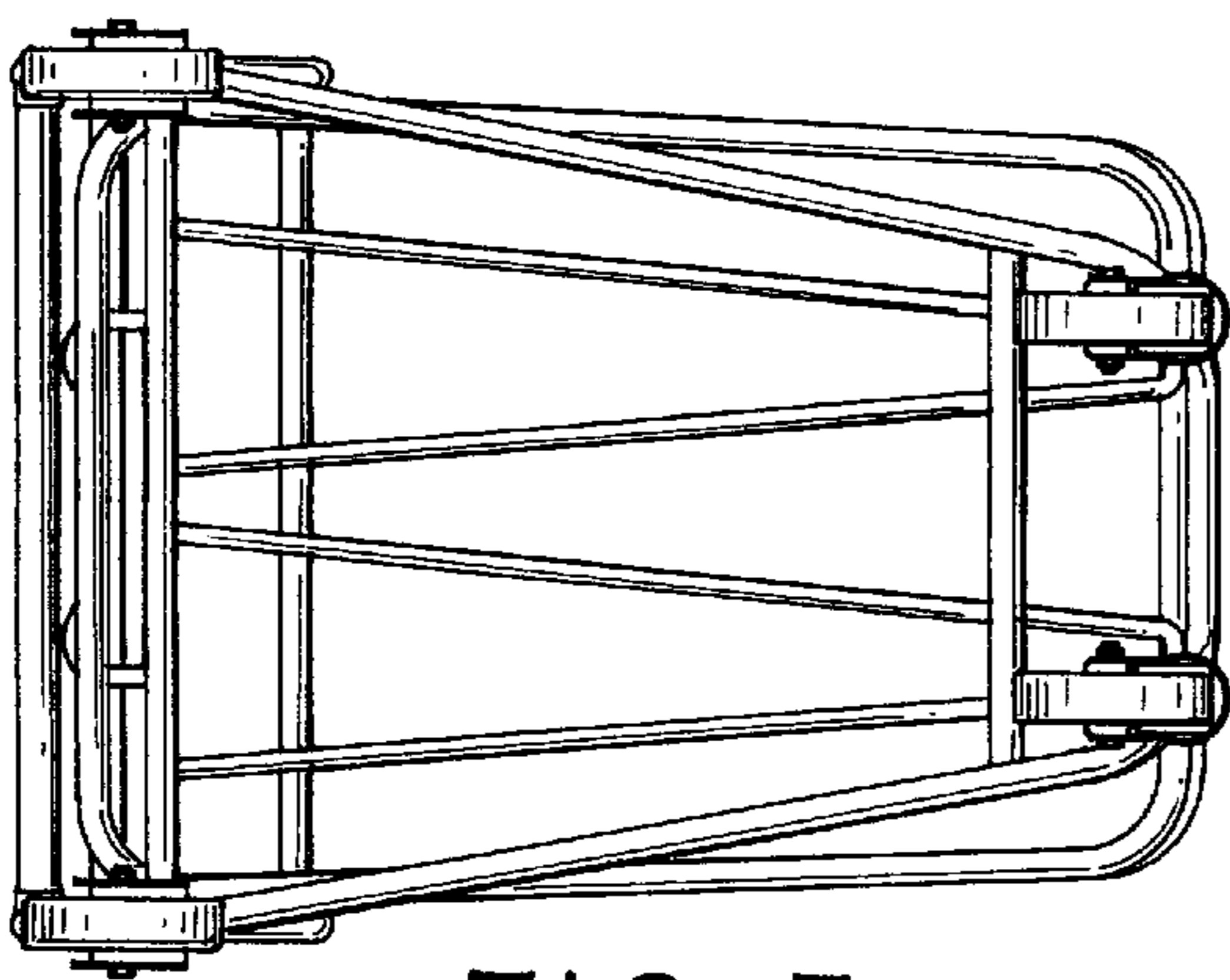
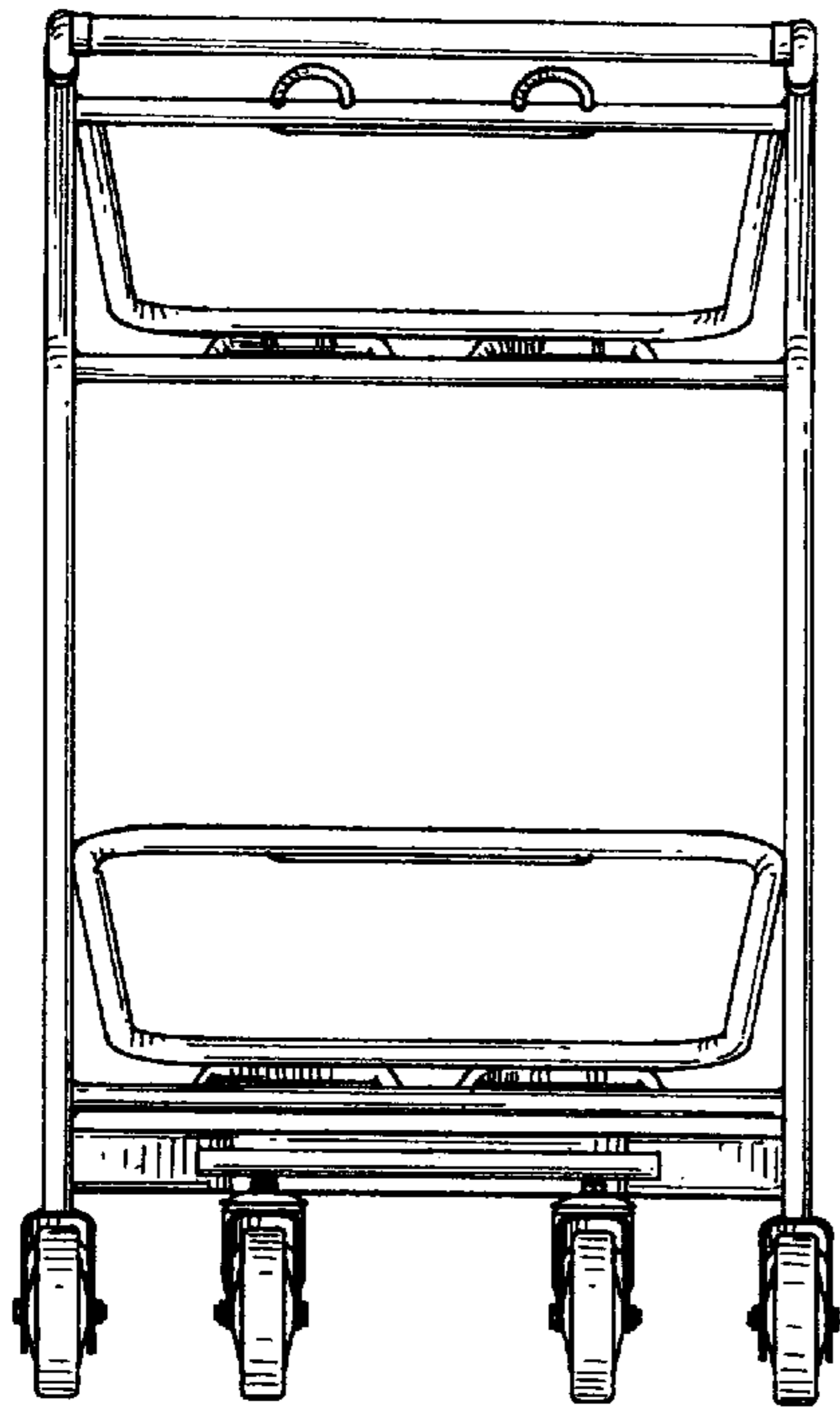
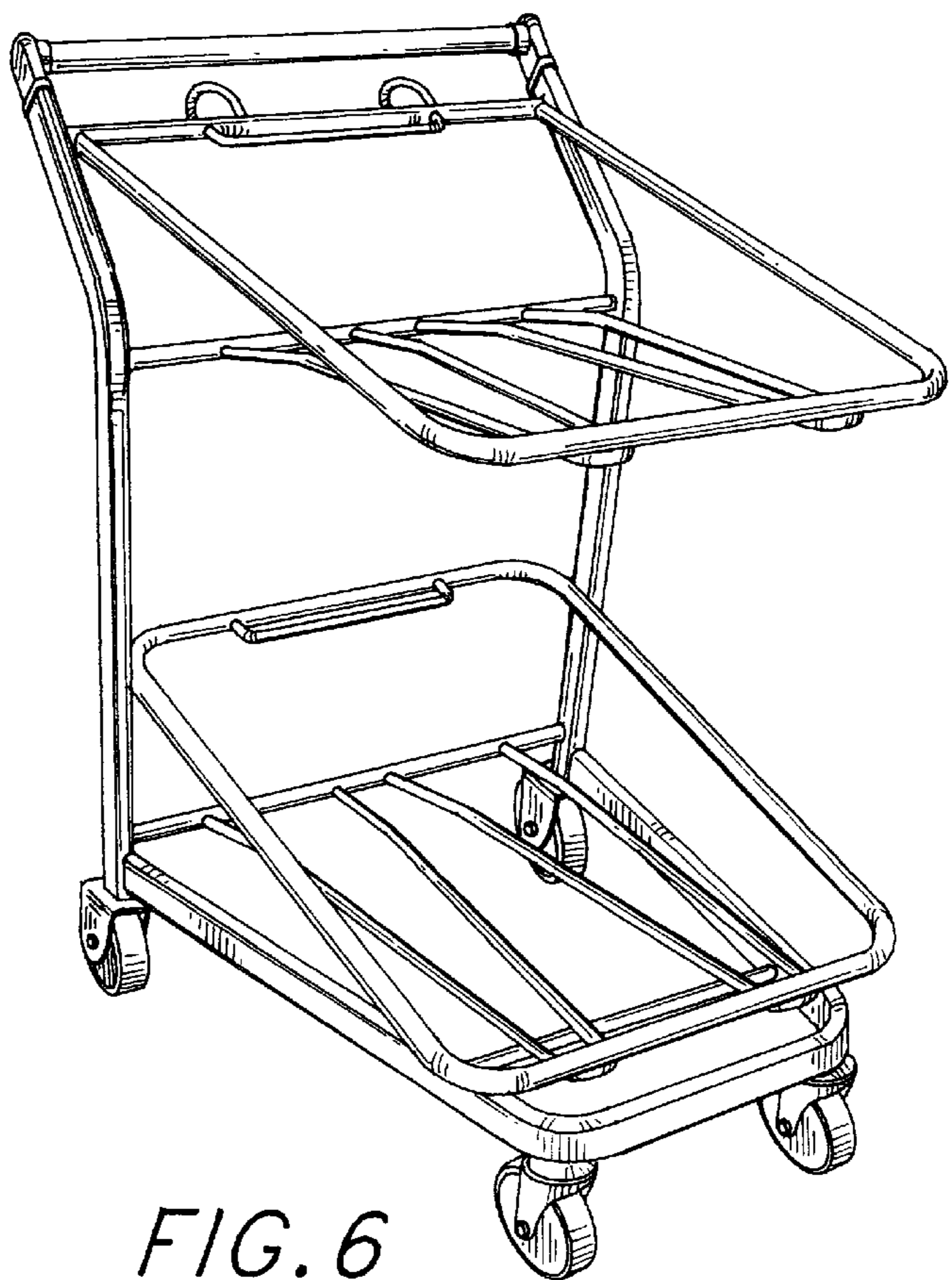


FIG. 3



*FIG. 5*



*FIG. 6*