



US00D472026S

(12) **United States Design Patent**
Walter

(10) **Patent No.:** **US D472,026 S**

(45) **Date of Patent:** **** *Mar. 18, 2003**

(54) **BALANCED SMALL BASKET SHOPPING CART**

D415,600 S 10/1999 Hsieh et al.
D449,913 S * 10/2001 Walter D34/21
D455,243 S * 4/2002 Walter D34/21

(76) **Inventor:** **Ivor Michel Walter**, 5882 Orchard Creek La., Boulder, CO (US) 80301

OTHER PUBLICATIONS

(*) **Notice:** This patent is subject to a terminal disclaimer.

Unarco Industries, Inc. home page (<http://www.unarco.com>), History of the Shopping Cart from Unarco Industries, Inc. web site (<http://www.unarco.com/briefhistory.htm>).

(**) **Term:** **14 Years**

* cited by examiner

(21) **Appl. No.:** **29/161,389**

Primary Examiner—Kay H. Chin
(74) *Attorney, Agent, or Firm*—Rick Martin; Patent Law Offices of Rick Martin

(22) **Filed:** **May 29, 2002**

(51) **LOC (7) Cl.** **12-02**

(57) **CLAIM**

(52) **U.S. Cl.** **D34/20; D34/21**

The ornamental design for a balanced small basket shopping cart, as shown and described.

(58) **Field of Search** D34/12-27; 280/47.18, 280/47.19, 47.24, 47.27, 47.28, 47.29, 47.34

DESCRIPTION

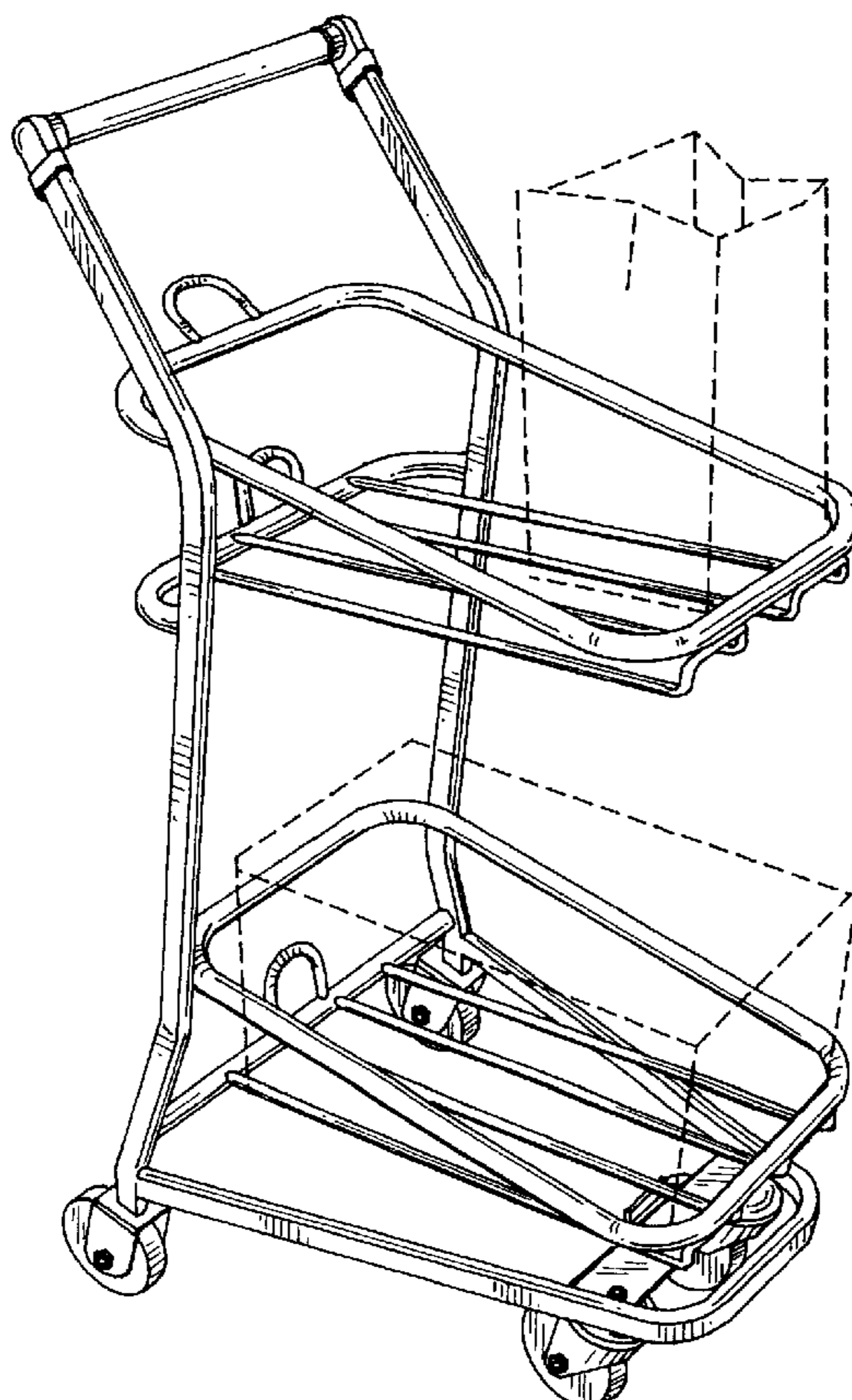
(56) **References Cited**

U.S. PATENT DOCUMENTS

D240,297 S	6/1976	Trubiano	
D282,499 S	* 2/1986	Alstrom D34/17
D331,135 S	11/1992	Lewandowski et al.	
D365,904 S	1/1996	Adamson et al.	
D367,348 S	2/1996	Basharat	
D379,834 S	6/1997	Huang	
D386,873 S	11/1997	Langlois D'Estaintot et al.	
D399,625 S	10/1998	Murphy et al.	
D407,882 S	4/1999	Duchene	

FIG. 1 is a side elevation view of a balanced small basket shopping cart showing my new design;
FIG. 2 is a top plan view thereof;
FIG. 3 is a bottom plan view thereof;
FIG. 4 is a front elevation view thereof;
FIG. 5 is a rear elevation view thereof; and,
FIG. 6 is a front perspective view thereof, the broken line illustration of a bag and a shopping basket are for illustrative purposes only and form no part of the claimed design.

1 Claim, 2 Drawing Sheets



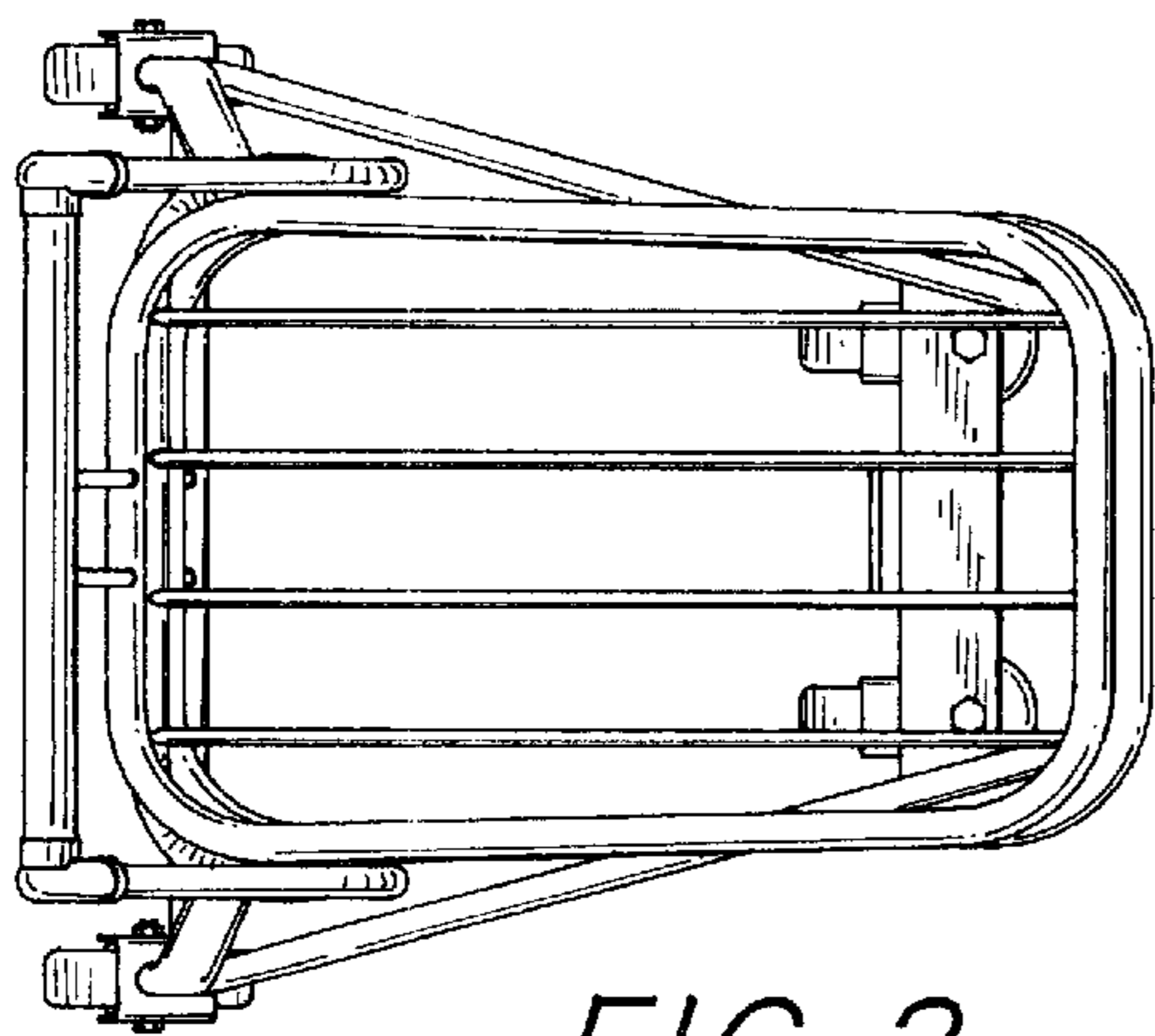


FIG. 2

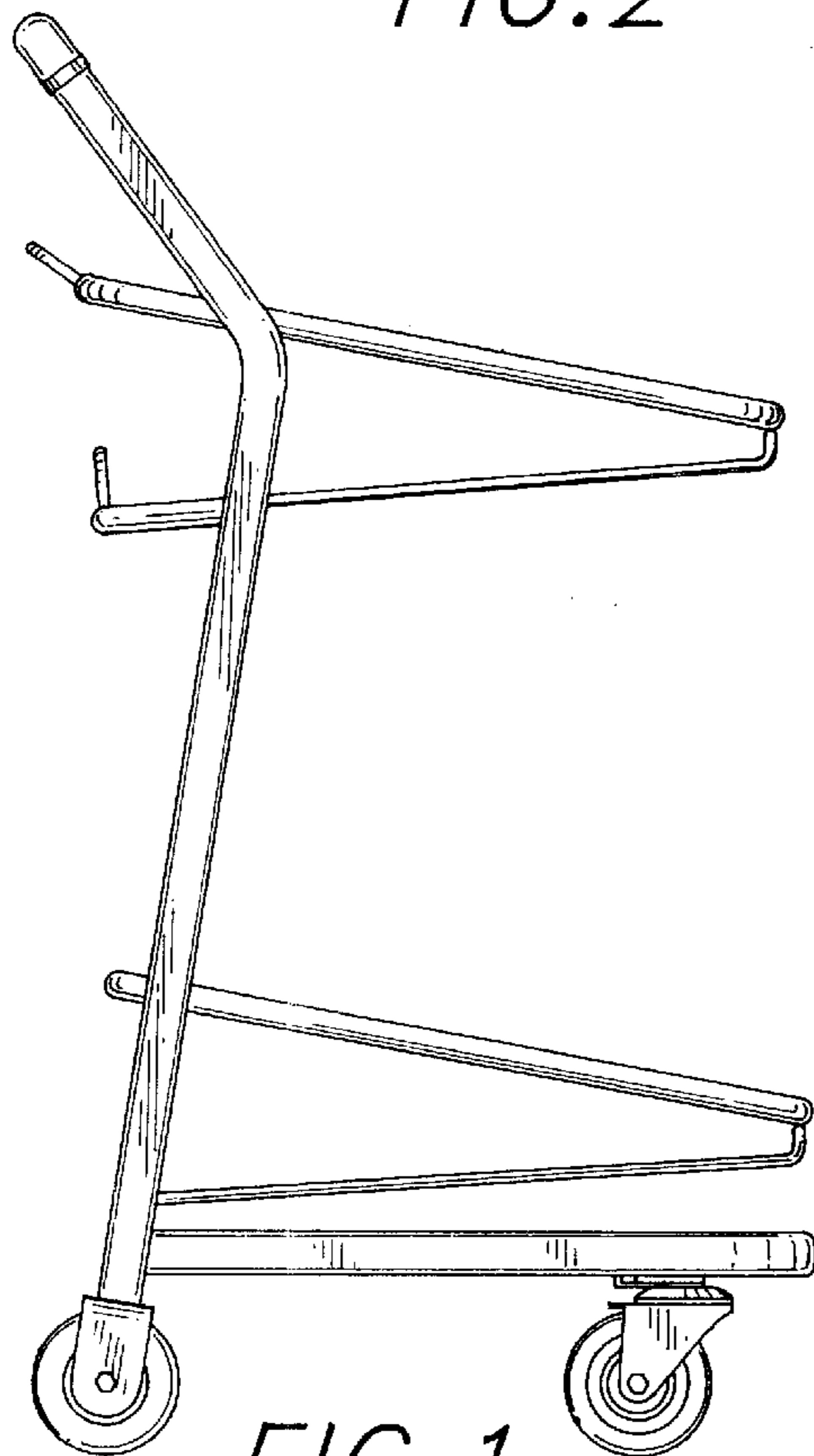


FIG. 1

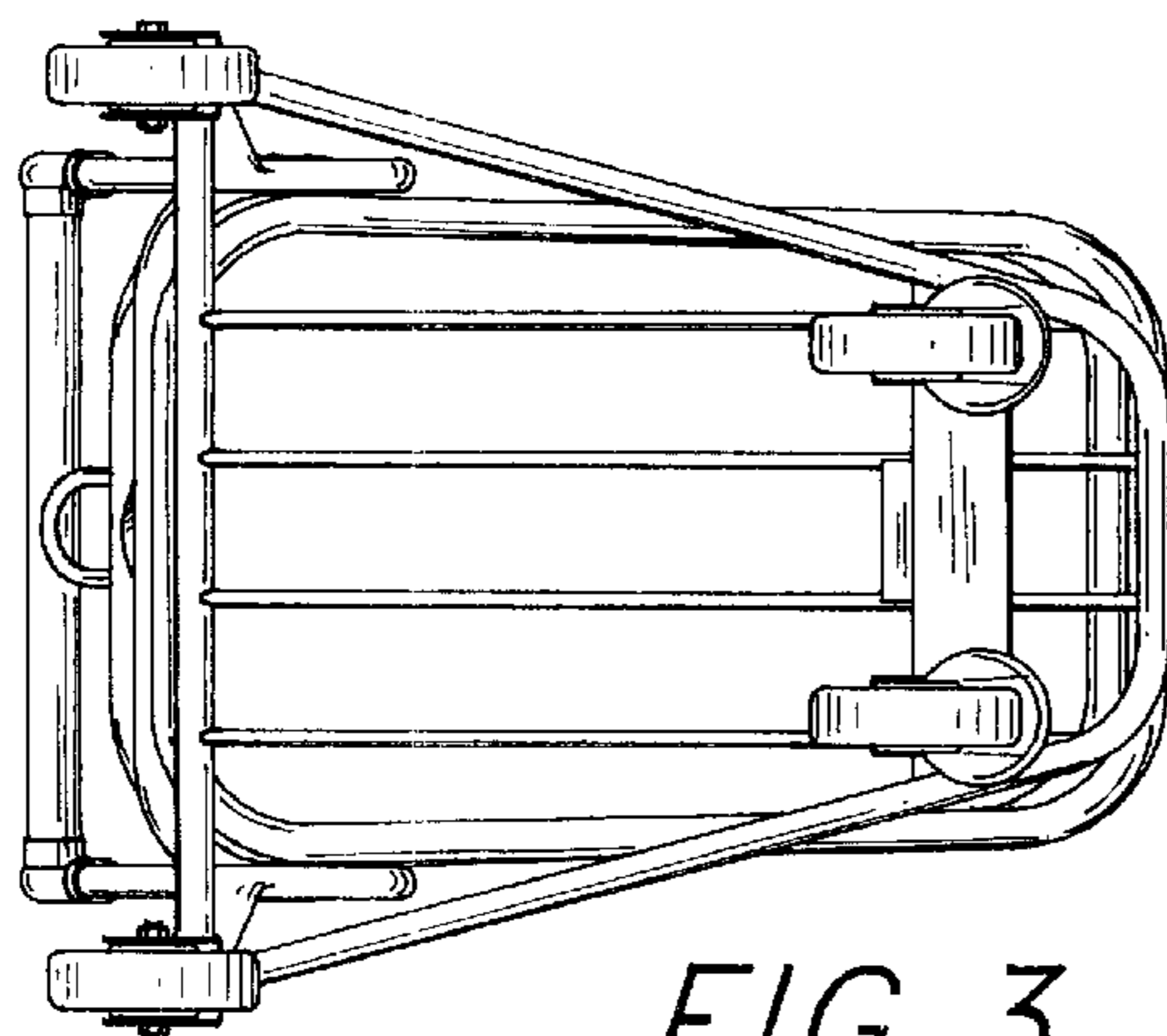


FIG. 3

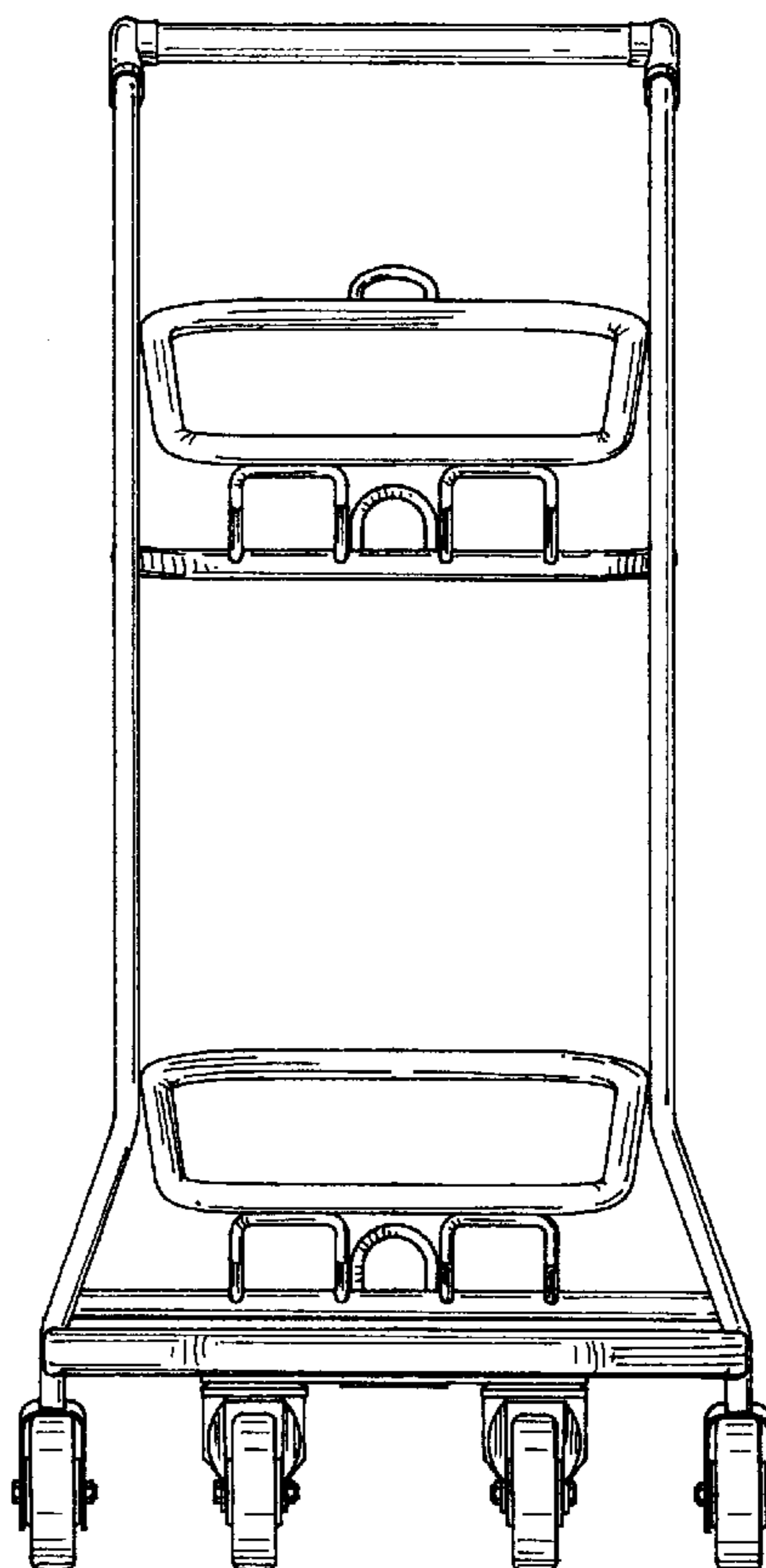


FIG. 4

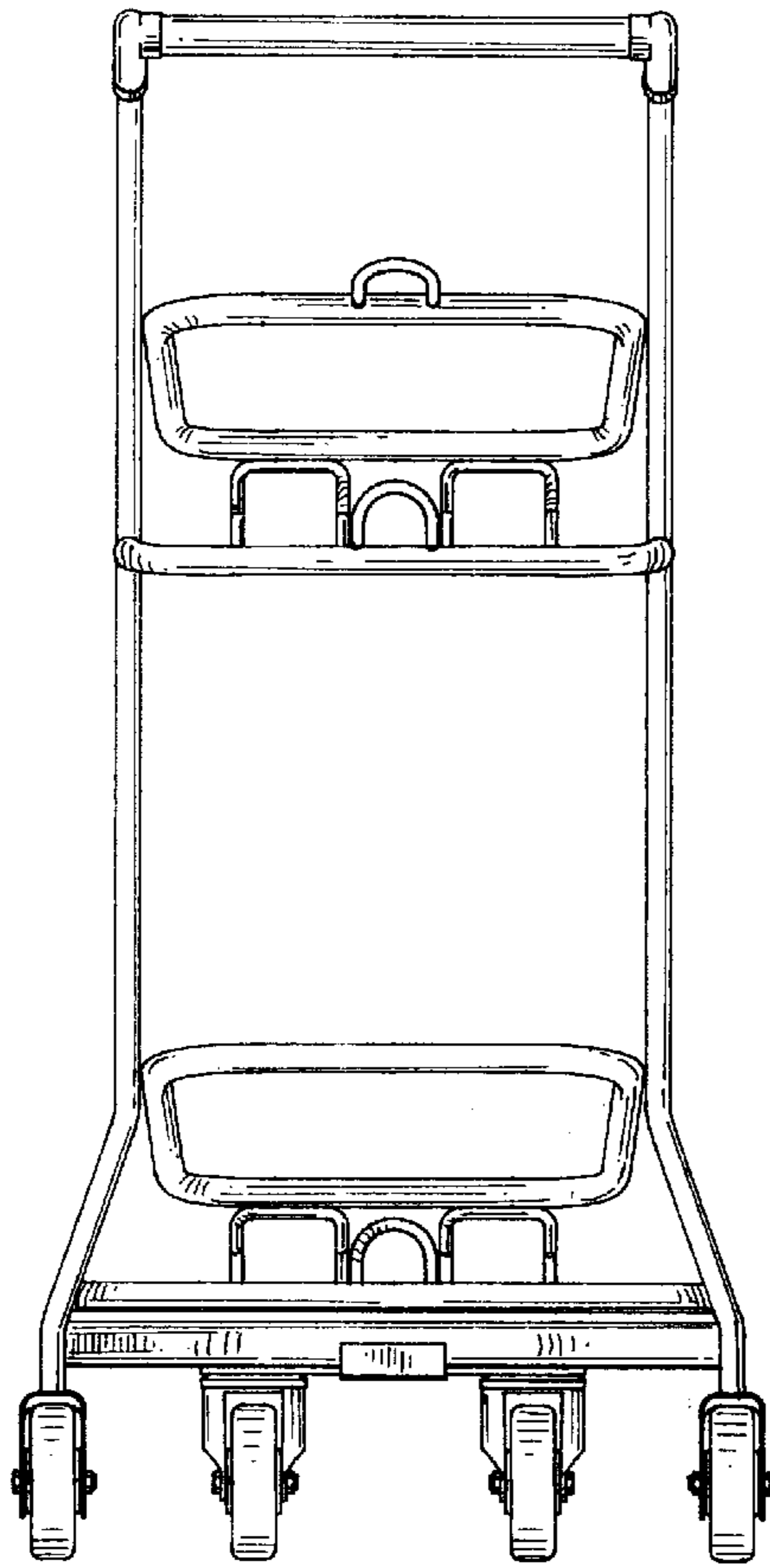


FIG. 5

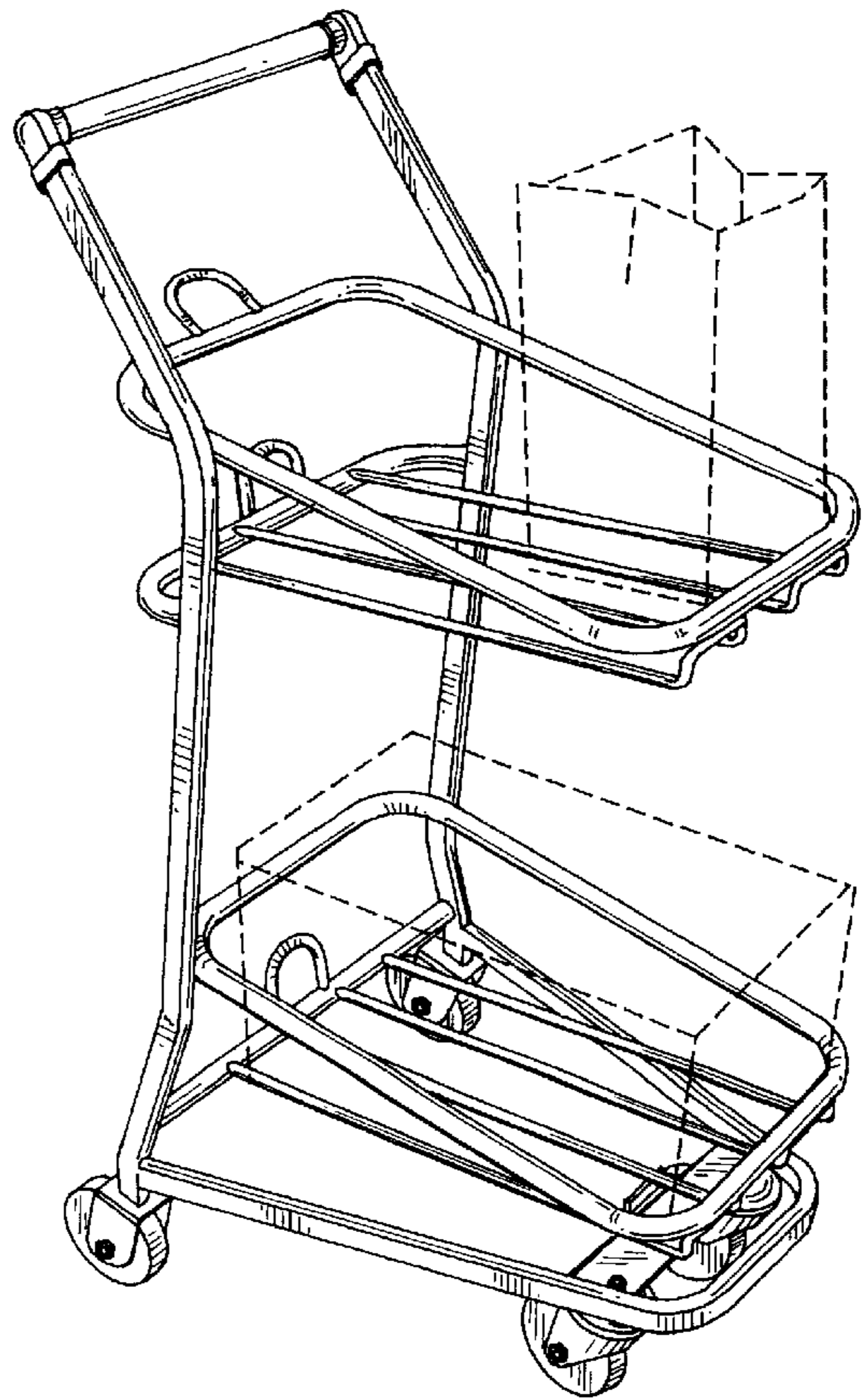


FIG. 6