



US00D472023S

(12) **United States Design Patent**  
**Jones et al.**

(10) **Patent No.:** **US D472,023 S**

(45) **Date of Patent:** **\*\* Mar. 18, 2003**

(54) **DISHWASHER FRONT DOOR AND PANEL**

D455,874 S \* 4/2002 Resuello et al. .... D32/3  
D462,867 S \* 9/2002 Resuello et al. .... D7/349

(75) Inventors: **Charles L. Jones**, Stevensville, MI (US); **Philip M. Thompson**, St. Joseph, MI (US); **Tania L. Aldous**, St. Joseph, MI (US); **Mark W. Baldwin**, St. Joseph, MI (US); **Viorel Luminosu**, St. Joseph, MI (US)

\* cited by examiner

*Primary Examiner*—Louis S. Zarfaz  
*Assistant Examiner*—Robert A. Delehanty  
(74) *Attorney, Agent, or Firm*—Stephen Krefman; Robert O. Rice; John F. Colligan

(73) Assignee: **Whirlpool Corporation**, Benton Harbor, MI (US)

(\*\*) Term: **14 Years**

(21) Appl. No.: **29/156,919**

(22) Filed: **Mar. 8, 2002**

(51) **LOC (7) Cl.** ..... **15-05**

(52) **U.S. Cl.** ..... **D32/3**

(58) **Field of Search** ..... D32/1-3, 5-6, D32/8, 25; 137/374; 15/DIG. 7; 134/135, 56 D, 58 D, 57 D; 312/109; 68/3 R, 12.27; D8/317, 349

(56) **References Cited**

**U.S. PATENT DOCUMENTS**

D377,853 S \* 2/1997 Sparks ..... D32/3

(57) **CLAIM**

We are claiming the ornamental appearance of a dishwasher front door and panel, as shown and described.

**DESCRIPTION**

FIG. 1 is a front perspective view of the design of the present invention.

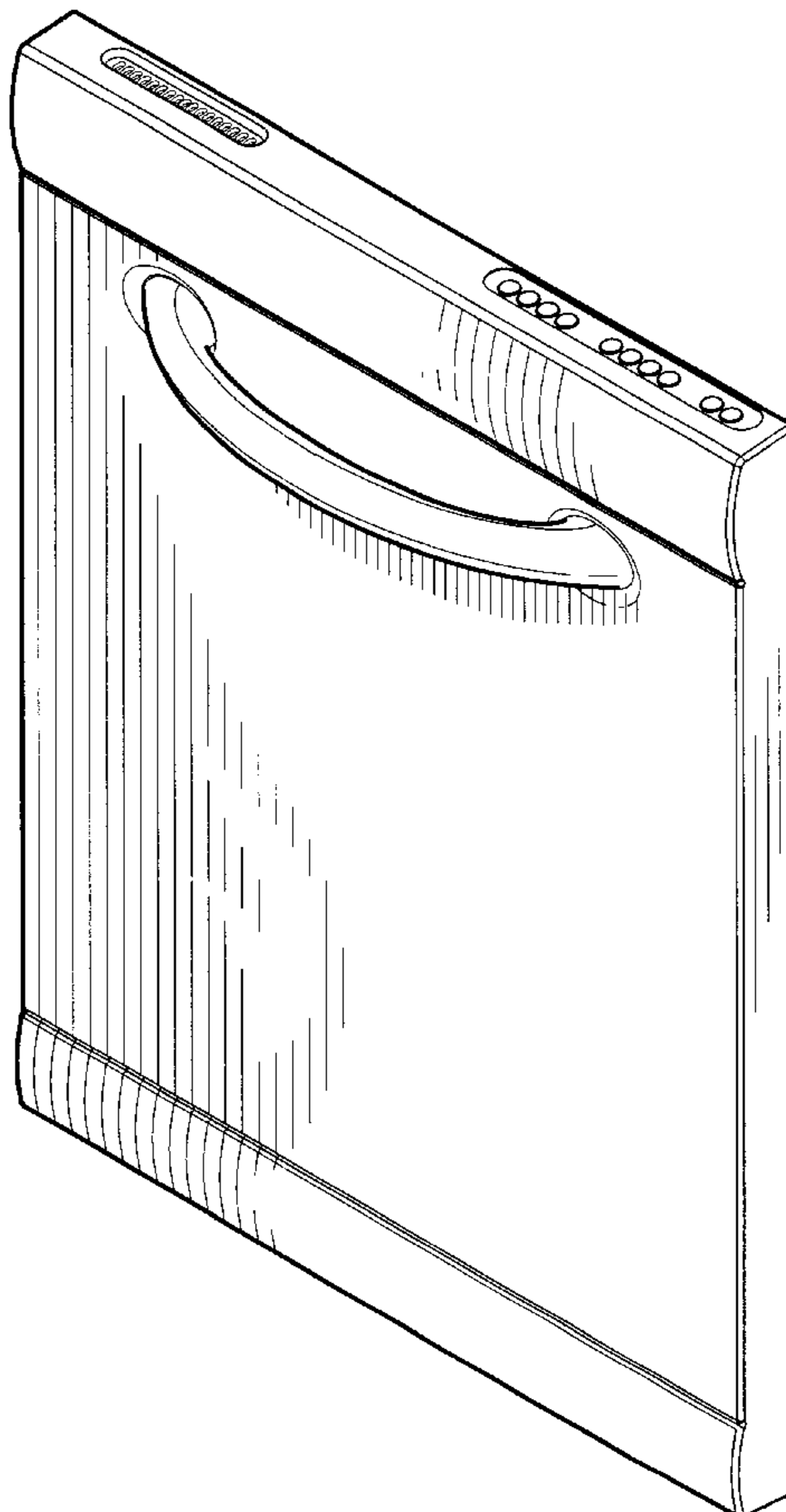
FIG. 2 is a front elevational view thereof,

FIG. 3 is a top plan view thereof,

FIG. 4 is a right side elevational view thereof; and,

FIG. 5 is a left side elevational view thereof.

**1 Claim, 3 Drawing Sheets**



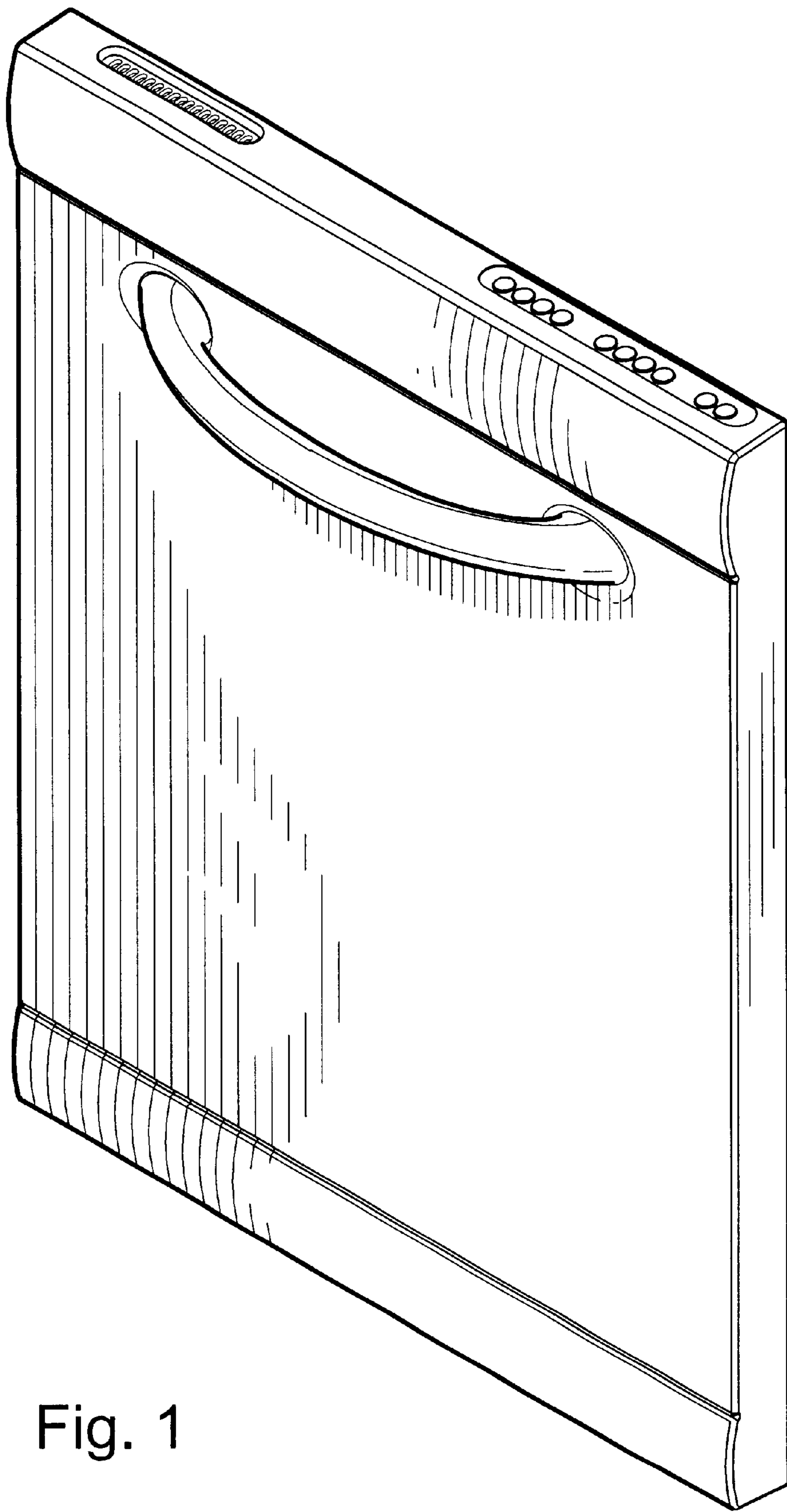


Fig. 1

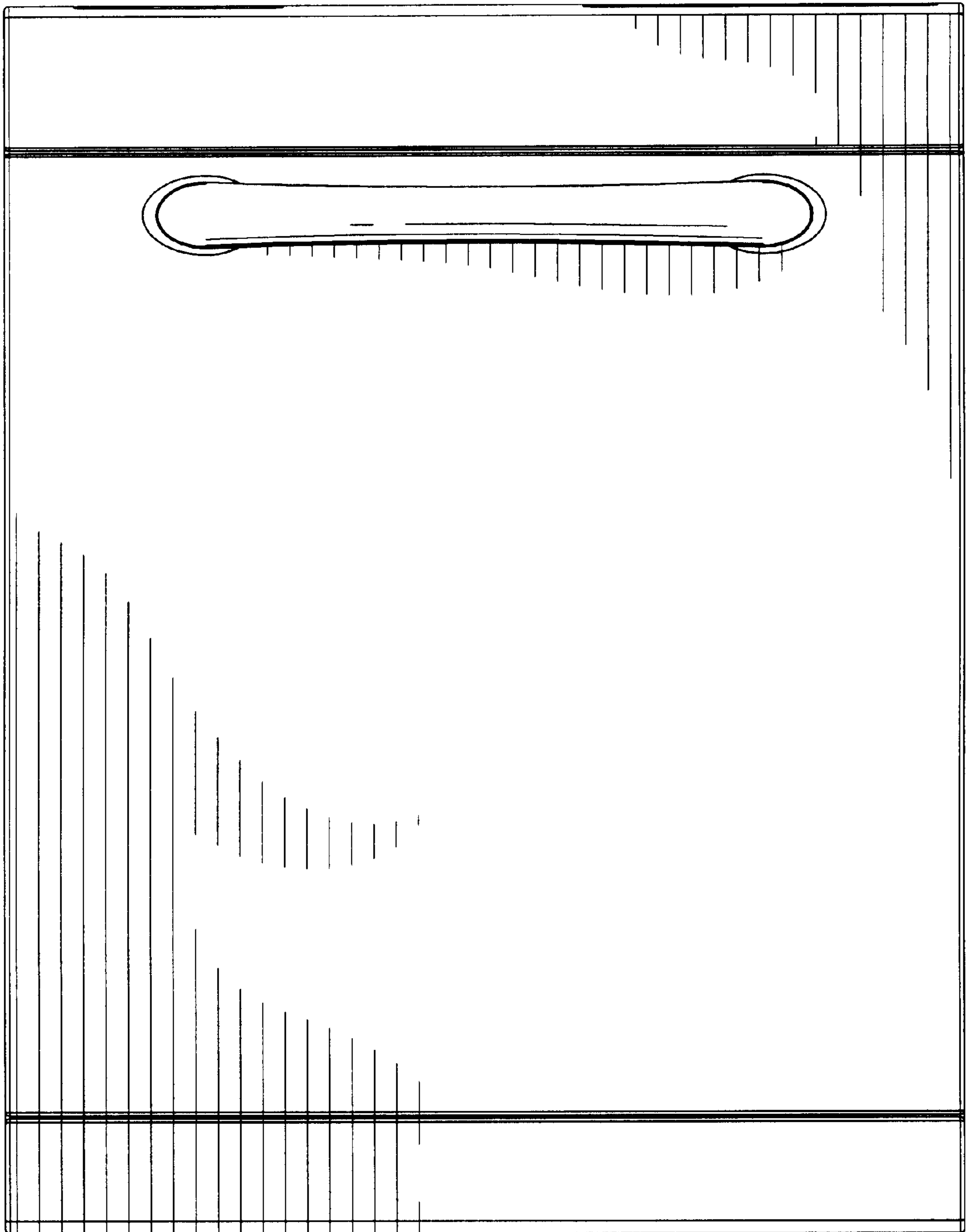


Fig. 2

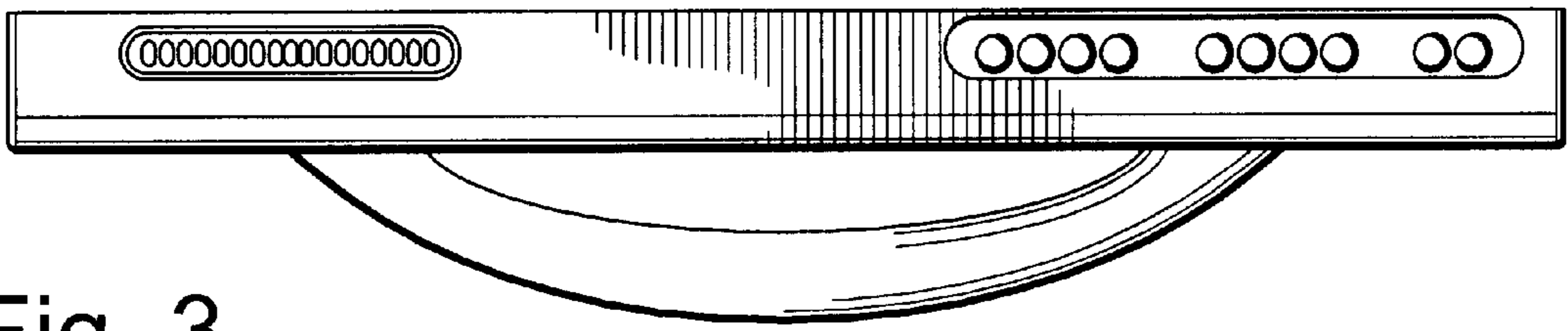


Fig. 3

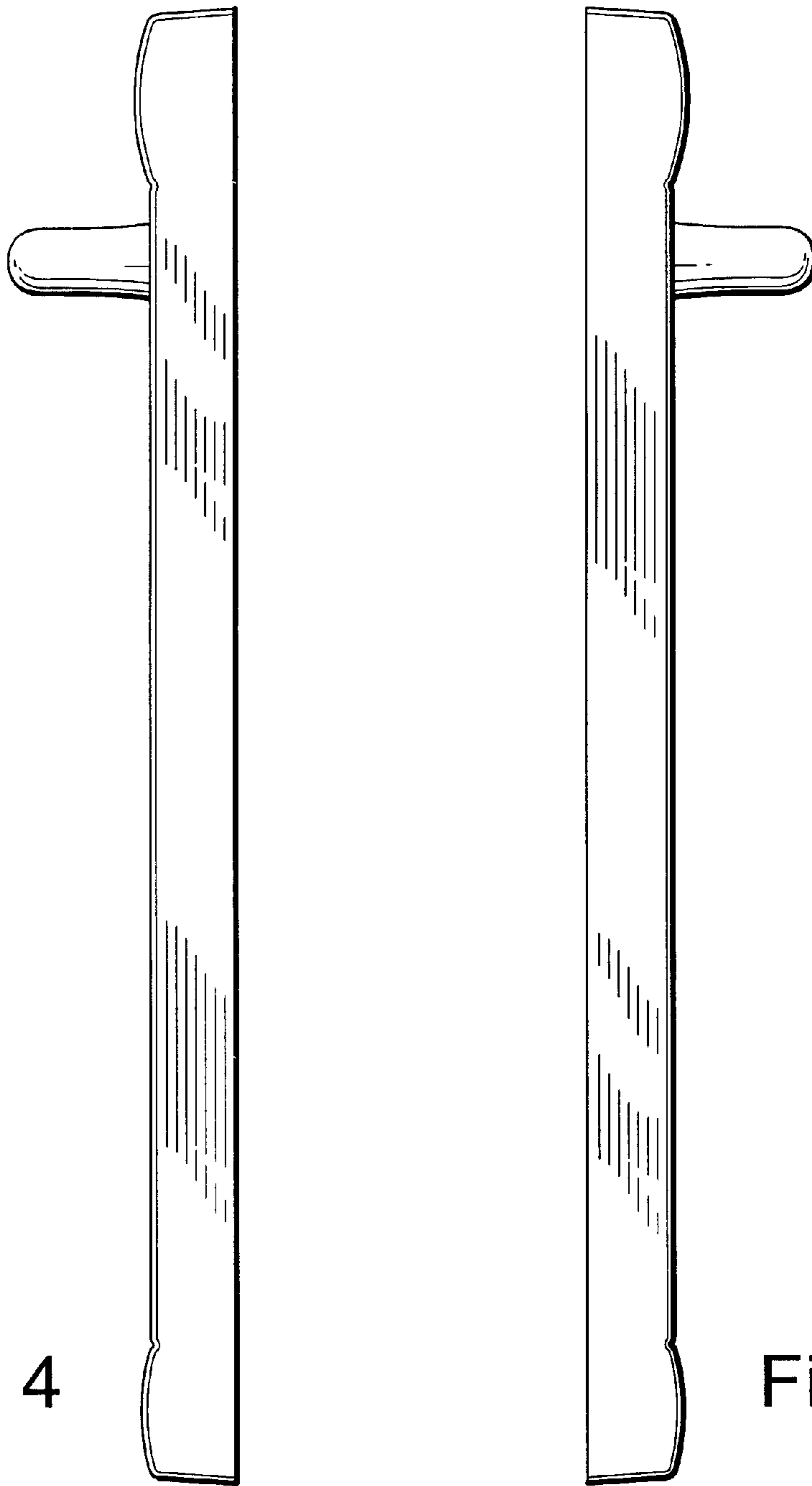


Fig. 4

Fig. 5