



US00D472022S

(12) **United States Design Patent**  
**Thau**

(10) **Patent No.:** **US D472,022 S**

(45) **Date of Patent:** **\*\* Mar. 18, 2003**

- (54) **JEWELRY CLEANING SYSTEM**
- (75) Inventor: **Paul J. Thau**, Plainview, NY (US)
- (73) Assignee: **Kassoy, Inc.**, Hicksville, NY (US)
- (\*\*) Term: **14 Years**
- (21) Appl. No.: **29/142,748**
- (22) Filed: **May 31, 2001**
- (51) **LOC (7) Cl.** ..... **15-05**
- (52) **U.S. Cl.** ..... **D32/1**
- (58) **Field of Search** ..... D32/1; 15/320,  
15/329, 344, 353; 299/222; 43/139; 119/87;  
366/110-118; 134/1, 135, 154, 182-184

- 5,000,209 A \* 3/1991 Mann ..... 134/135
- D318,813 S \* 8/1991 Salazar et al. .... D10/64
- D324,746 S \* 3/1992 Accattato ..... D32/1
- D343,704 S \* 1/1994 Bucher ..... D32/1
- D406,416 S \* 3/1999 Chan ..... D32/1

\* cited by examiner

*Primary Examiner*—Nelson C. Holtje  
(74) *Attorney, Agent, or Firm*—Collard & Roe, P.C.

(57) **CLAIM**

The ornamental design for a jewelry cleaning system, as shown and described.

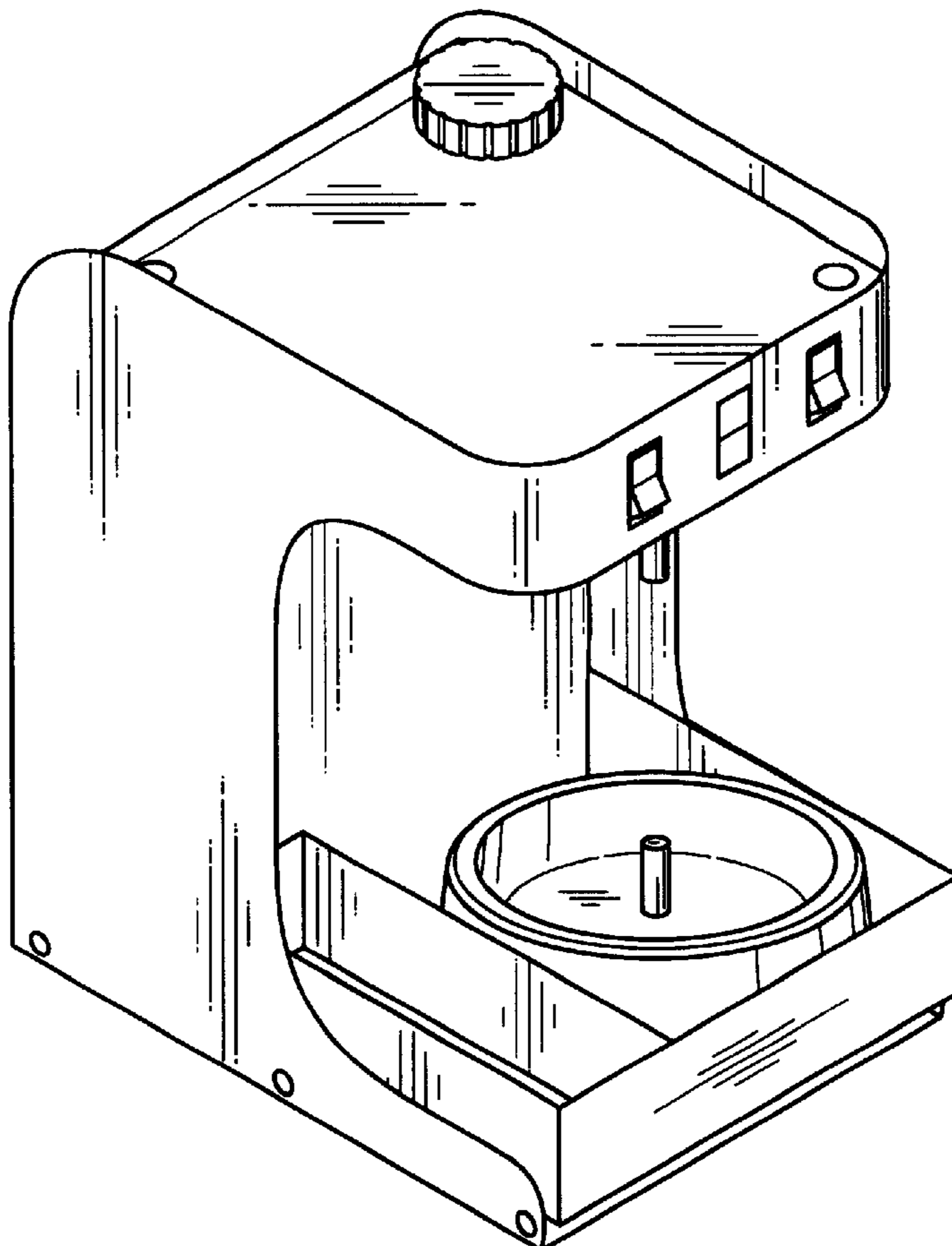
**DESCRIPTION**

FIG. 1 shows a front view of the jewelry cleaning system according to the invention;  
FIG. 2 shows a right side view;  
FIG. 3 shows a left side view;  
FIG. 4 shows a top view;  
FIG. 5 shows a bottom view; and,  
FIG. 6 shows a back view.

The writing shown on the claimed design forms no part thereof.

- (56) **References Cited**
- U.S. PATENT DOCUMENTS**
- 3,135,987 A \* 6/1964 Huch ..... 15/104
- D225,770 S \* 1/1973 Kelso ..... D32/1
- 3,937,236 A \* 2/1976 Runnels ..... 134/184
- 4,826,539 A \* 5/1989 Harpold
- D303,442 S \* 9/1989 Harrison ..... D32/1
- D315,815 S \* 3/1991 Miller ..... D32/1

**1 Claim, 3 Drawing Sheets**



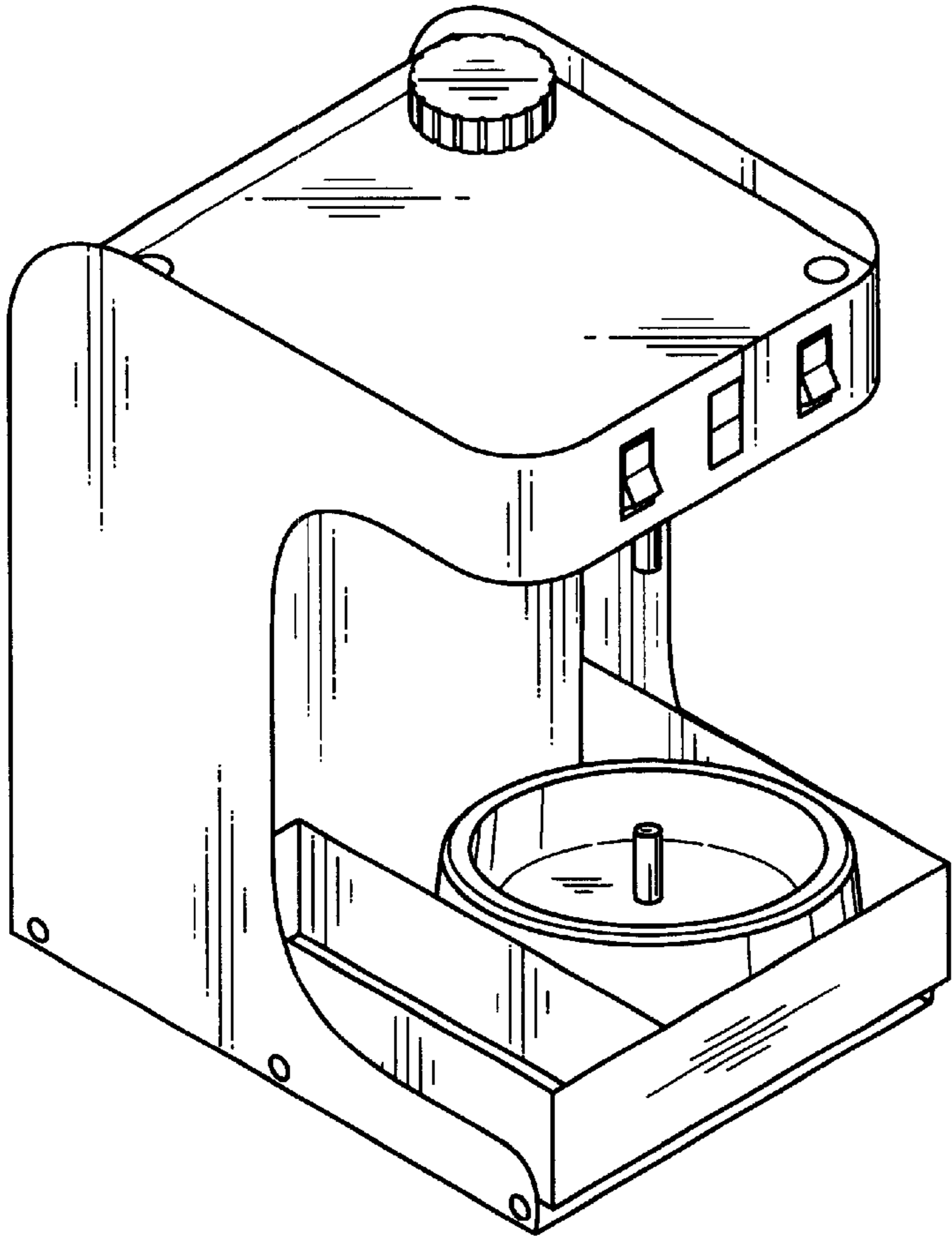


FIG. 1

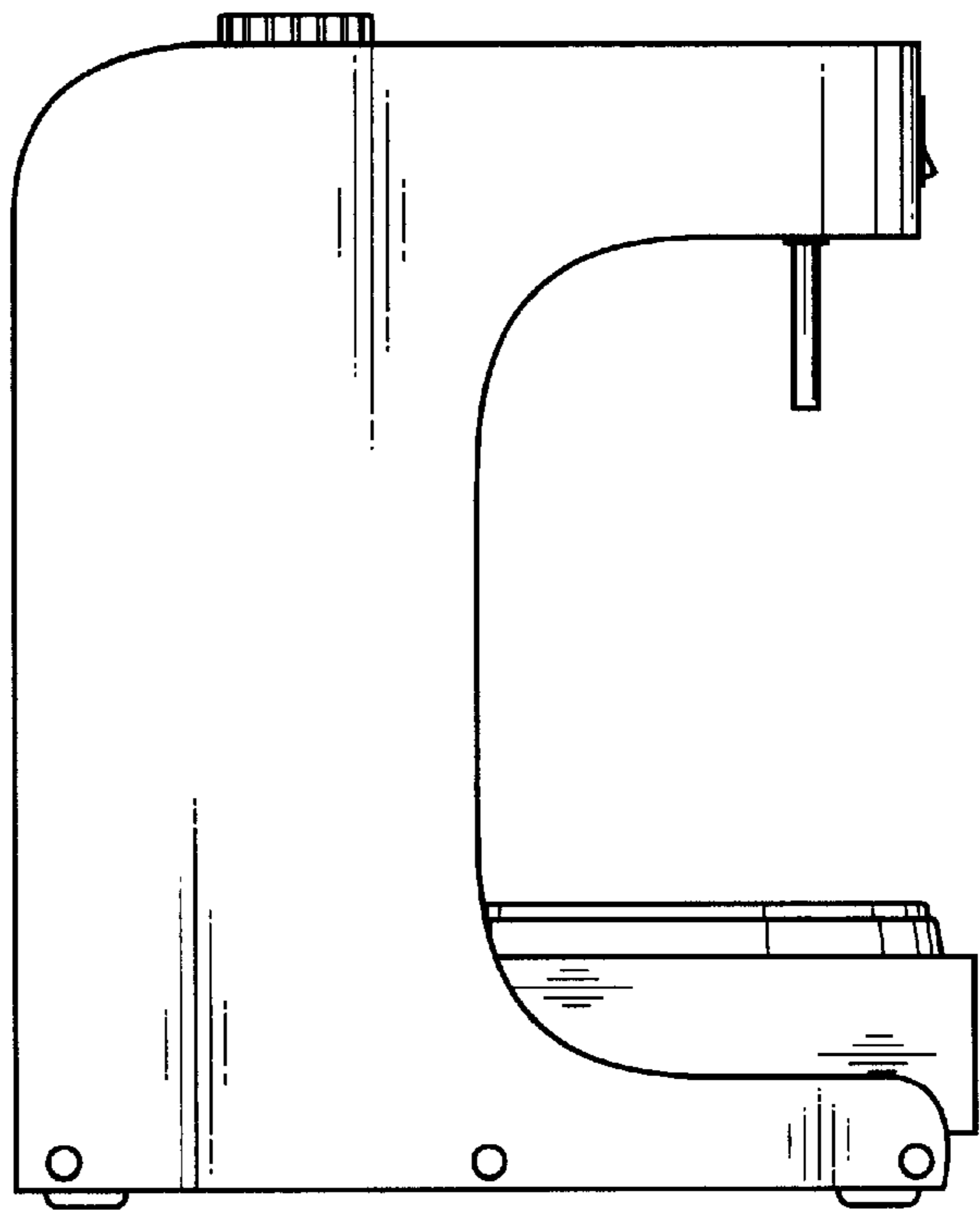


FIG. 2

FIG. 3

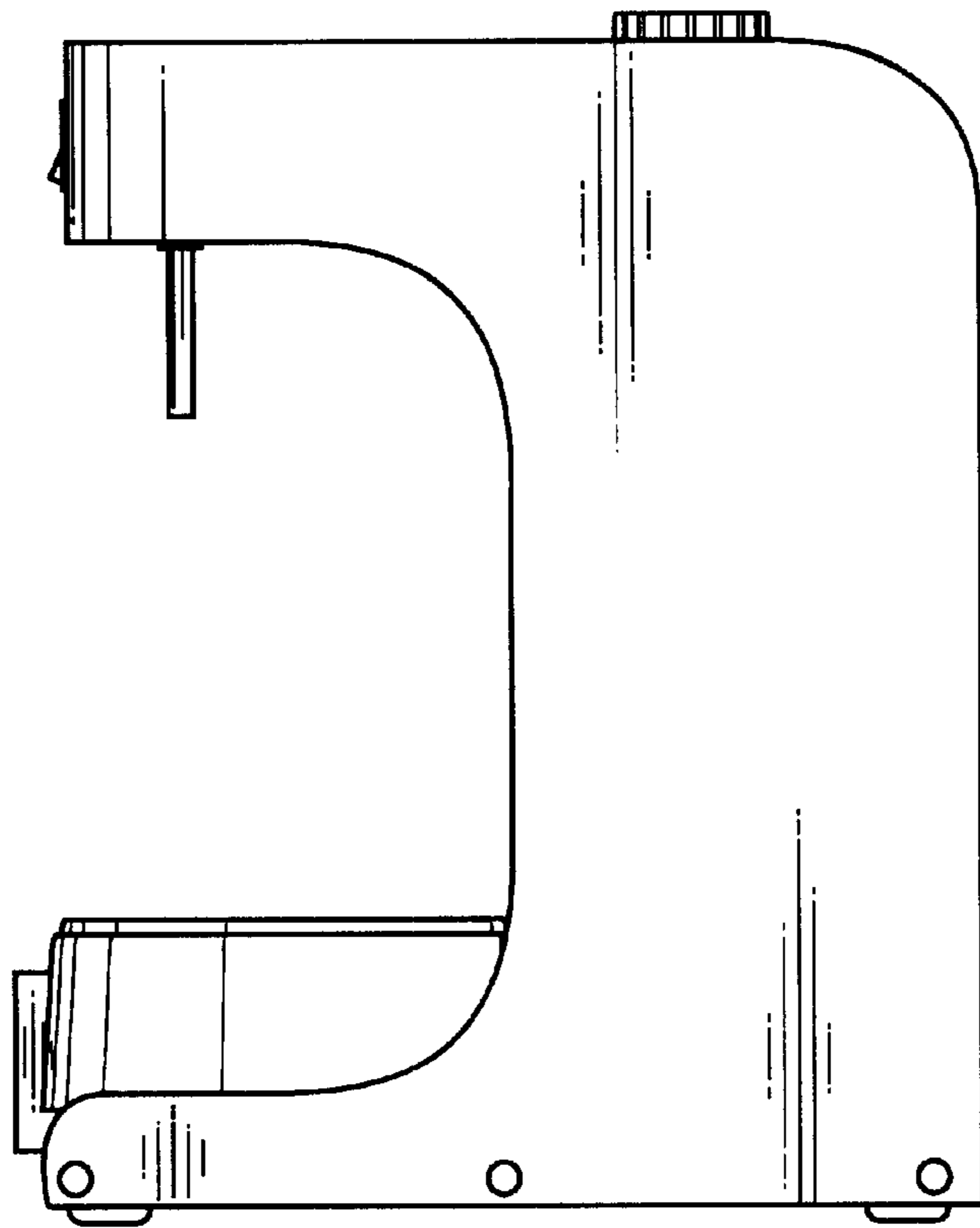


FIG. 4

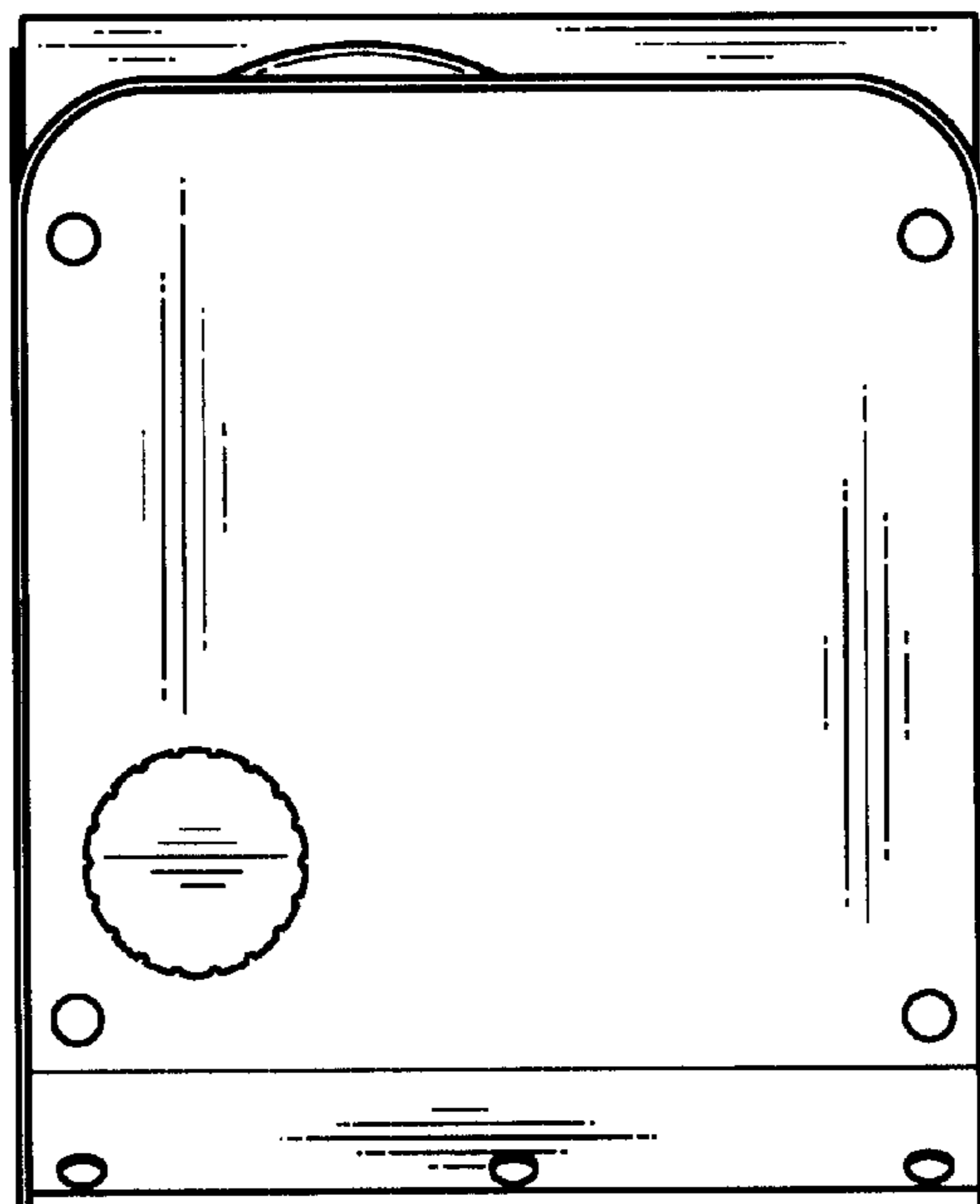


FIG. 5

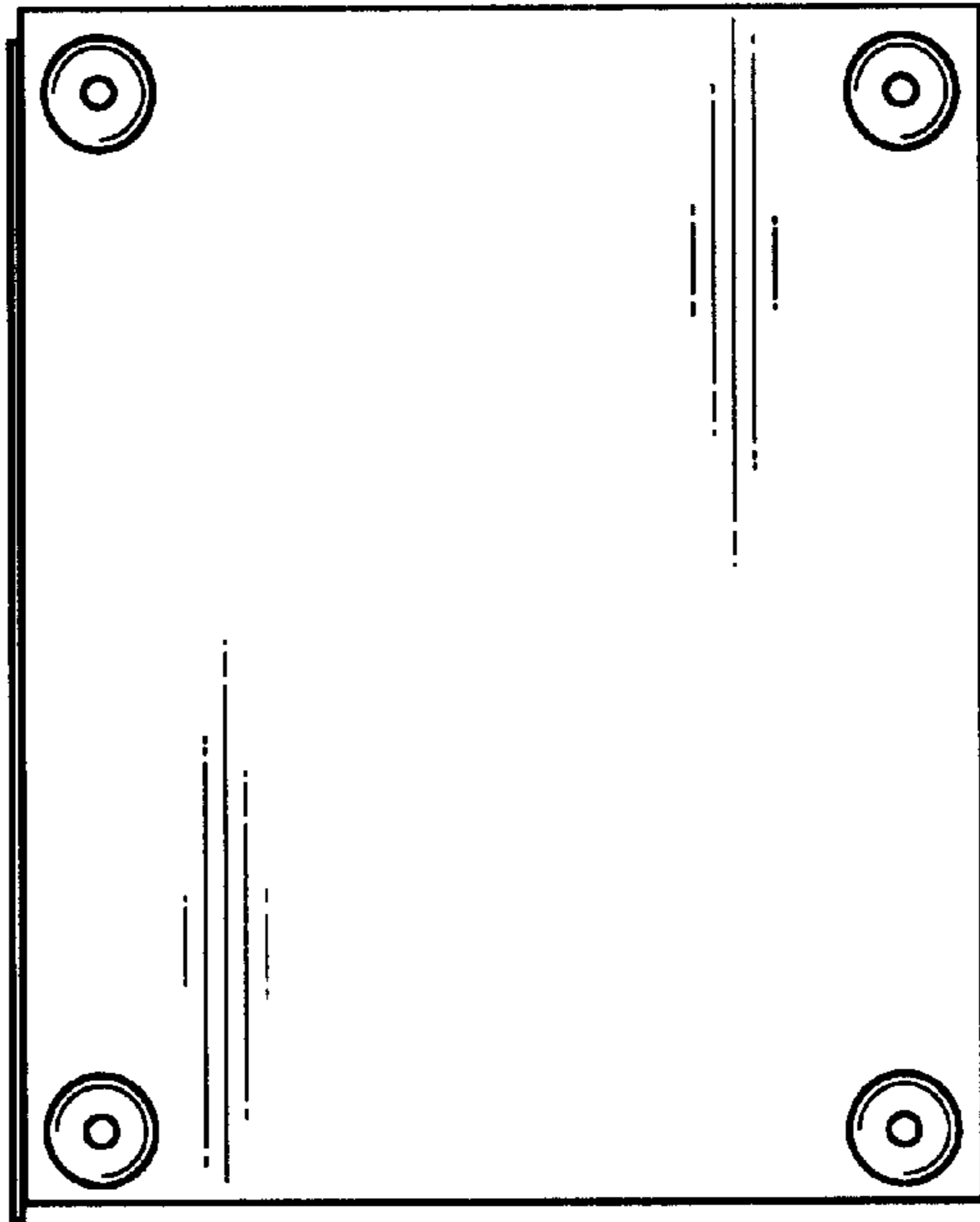


FIG. 6

