



US00D472020S

(12) **United States Design Patent**  
**Mihlbauer**

(10) **Patent No.:** **US D472,020 S**

(45) **Date of Patent:** **\*\* Mar. 18, 2003**

(54) **PROFILE OF AN AQUARIUM BASE**

D327,142 S \* 6/1992 Pilgrim, Jr. .... D30/106  
D397,521 S \* 8/1998 Gomi ..... D30/101

(75) Inventor: **Brad L. Mihlbauer**, Muskego, WI (US)

\* cited by examiner

(73) Assignee: **All-Glass Aquarium Company, Inc.**, Franklin, WI (US)

*Primary Examiner*—Cathy Anne MacCormac  
(74) *Attorney, Agent, or Firm*—Andrus, Scales, Starke & Sawall, LLP

(\*\*) Term: **14 Years**

(57) **CLAIM**

(21) Appl. No.: **29/141,002**

The ornamental design for a profile of an aquarium base, as shown and described.

(22) Filed: **Apr. 27, 2001**

**DESCRIPTION**

(51) **LOC (7) Cl.** ..... **30-02**

(52) **U.S. Cl.** ..... **D30/106**

(58) **Field of Search** ..... D30/101-107,  
D30/124-125, 110-111; 119/245-253, 255-258,  
265-266, 269; 47/69, 59; 40/406, 408;  
D11/145

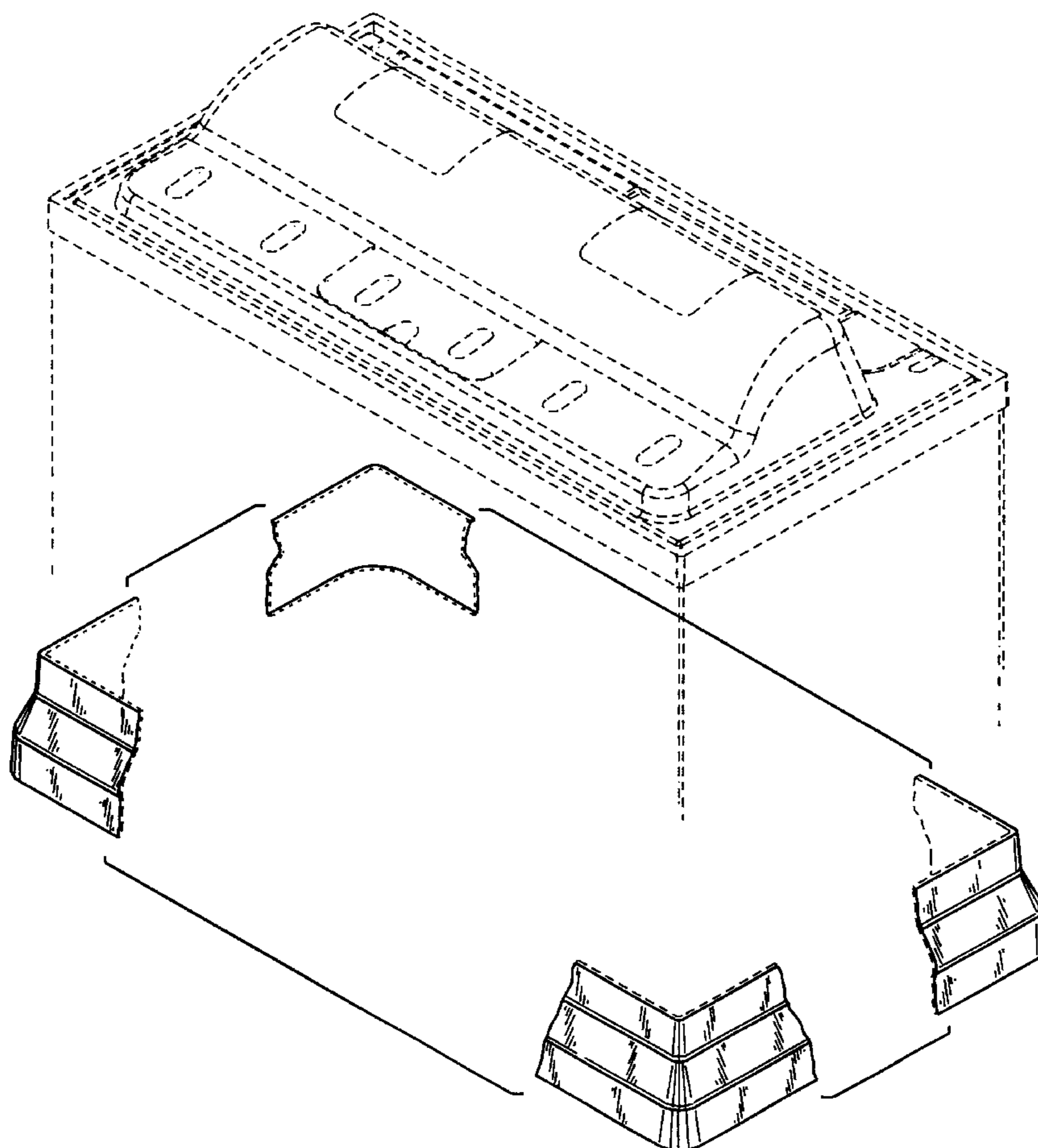
FIG. 1 is an isometric view of a profile of an aquarium base showing my new design;  
FIG. 2 is a front elevation view thereof, the rear elevation view being identical;  
FIG. 3 is a right side elevation view thereof, the left side elevation view being identical; and,  
FIG. 4 is a top plan view thereof.  
All views indicate indeterminate length.  
The broken lines are for illustration only and form no part of the claimed design.

(56) **References Cited**

**U.S. PATENT DOCUMENTS**

D246,262 S \* 11/1977 Zupo ..... D30/101  
D285,841 S \* 9/1986 Tigert ..... D30/101  
D285,845 S \* 9/1986 Tigert ..... D30/101

**1 Claim, 3 Drawing Sheets**



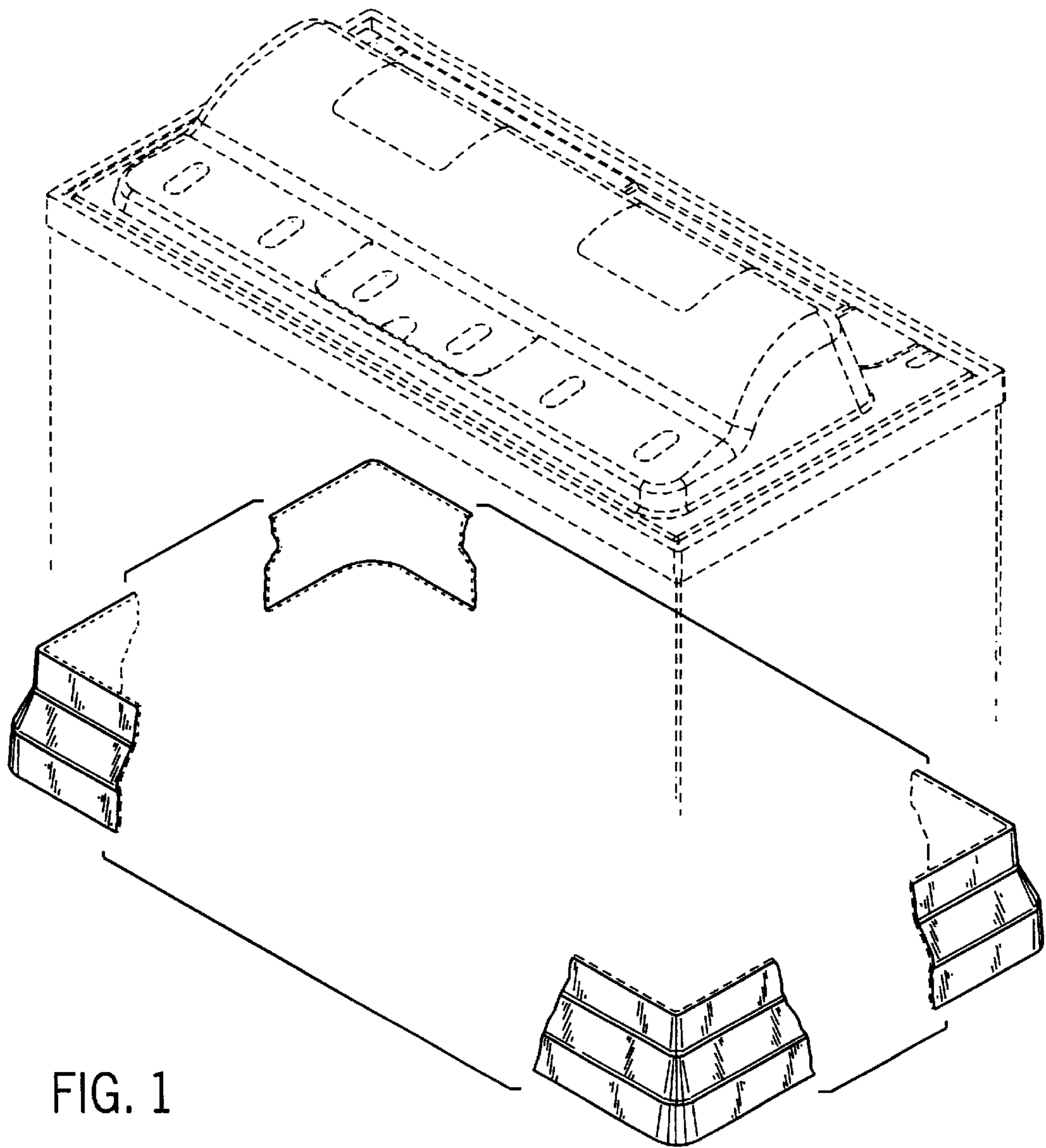


FIG. 1

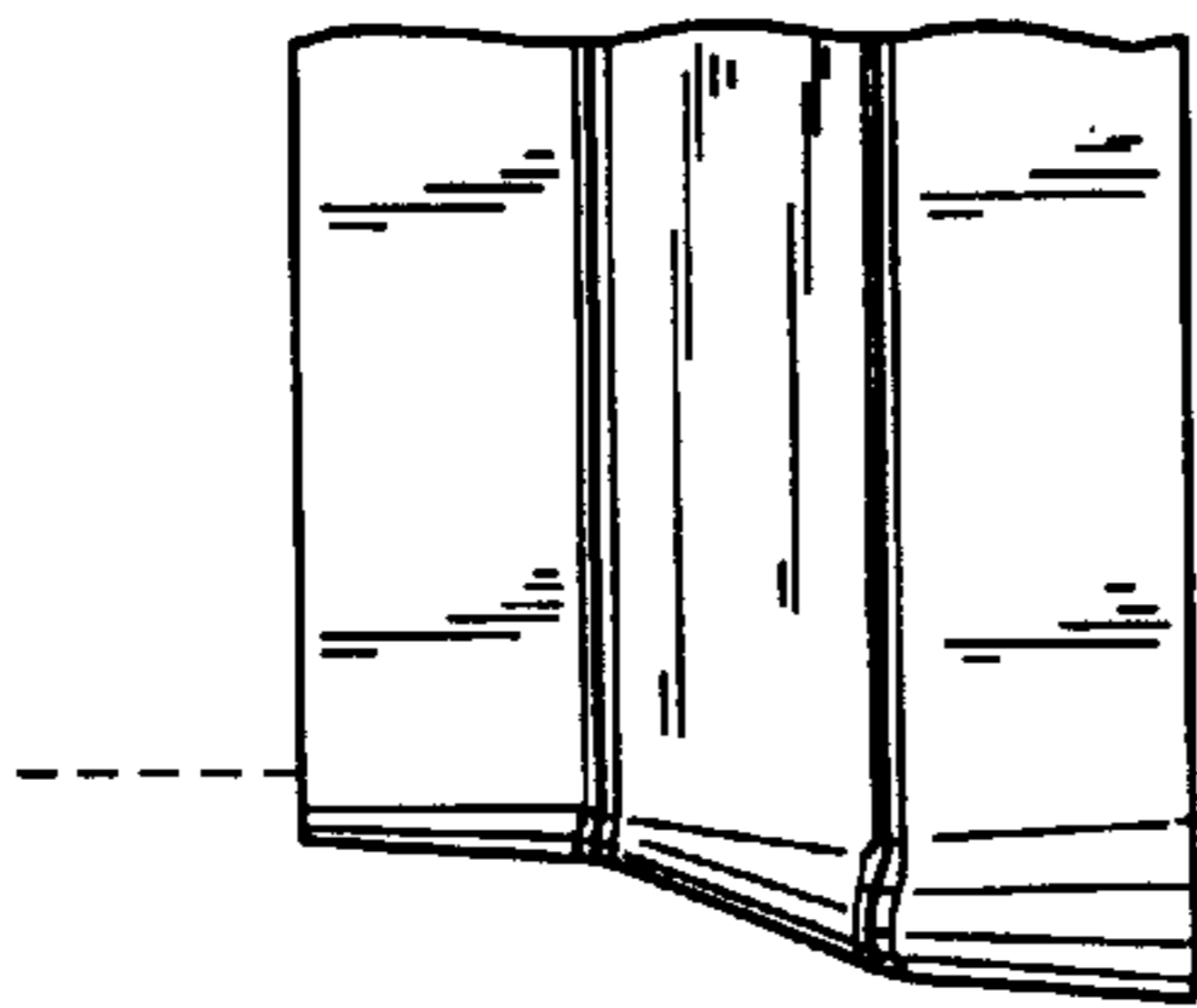
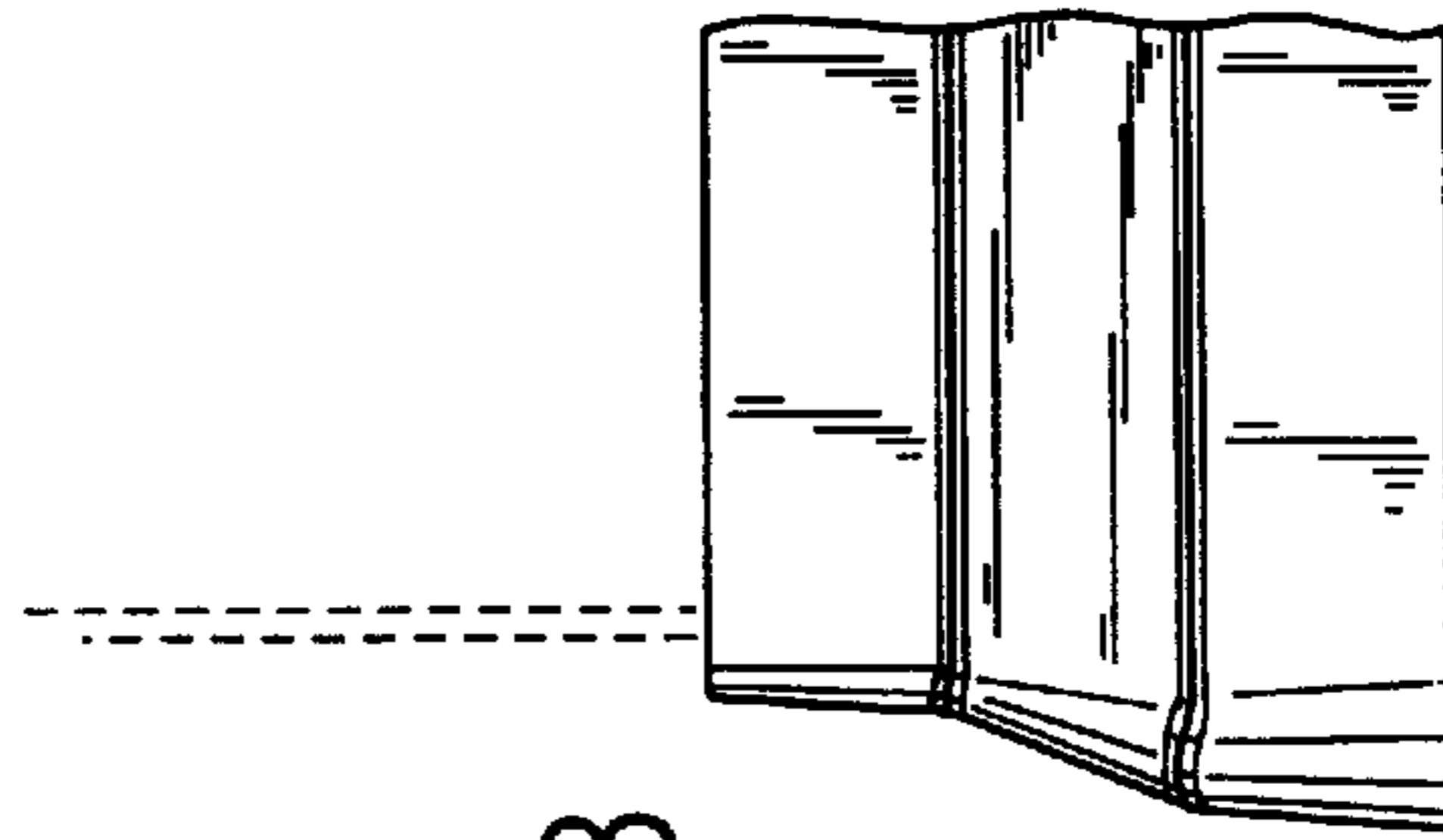
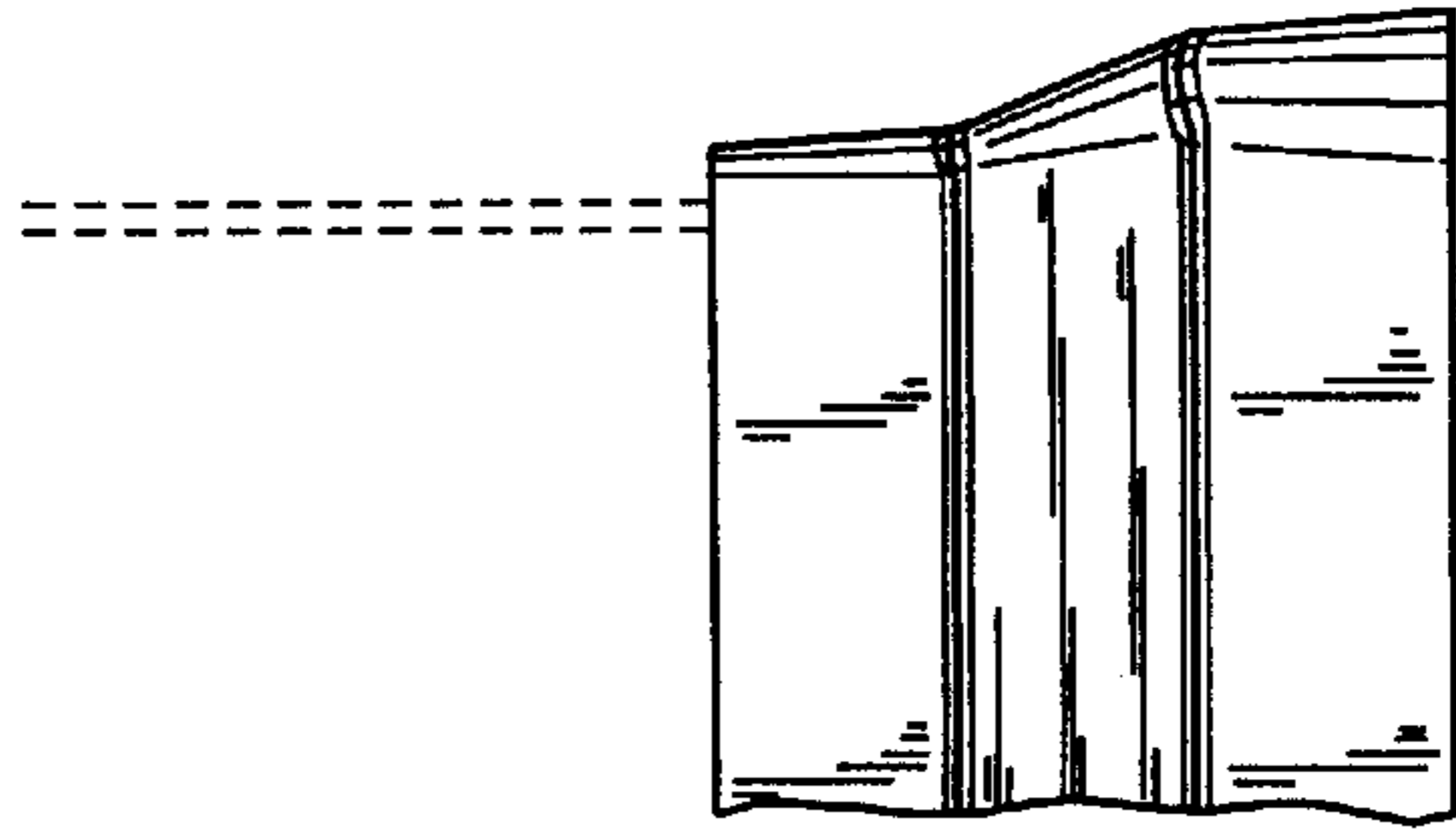
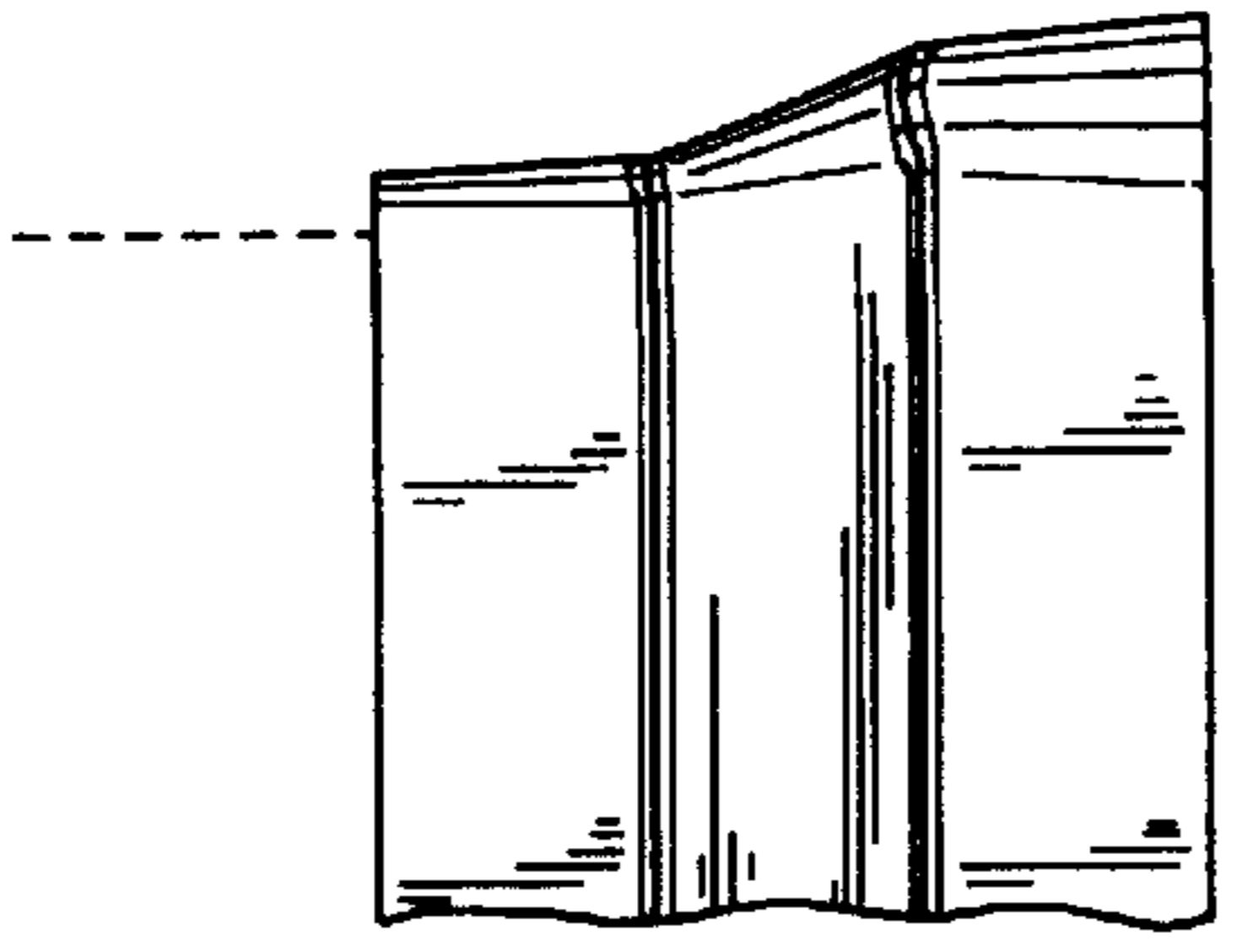


FIG. 2

FIG. 3

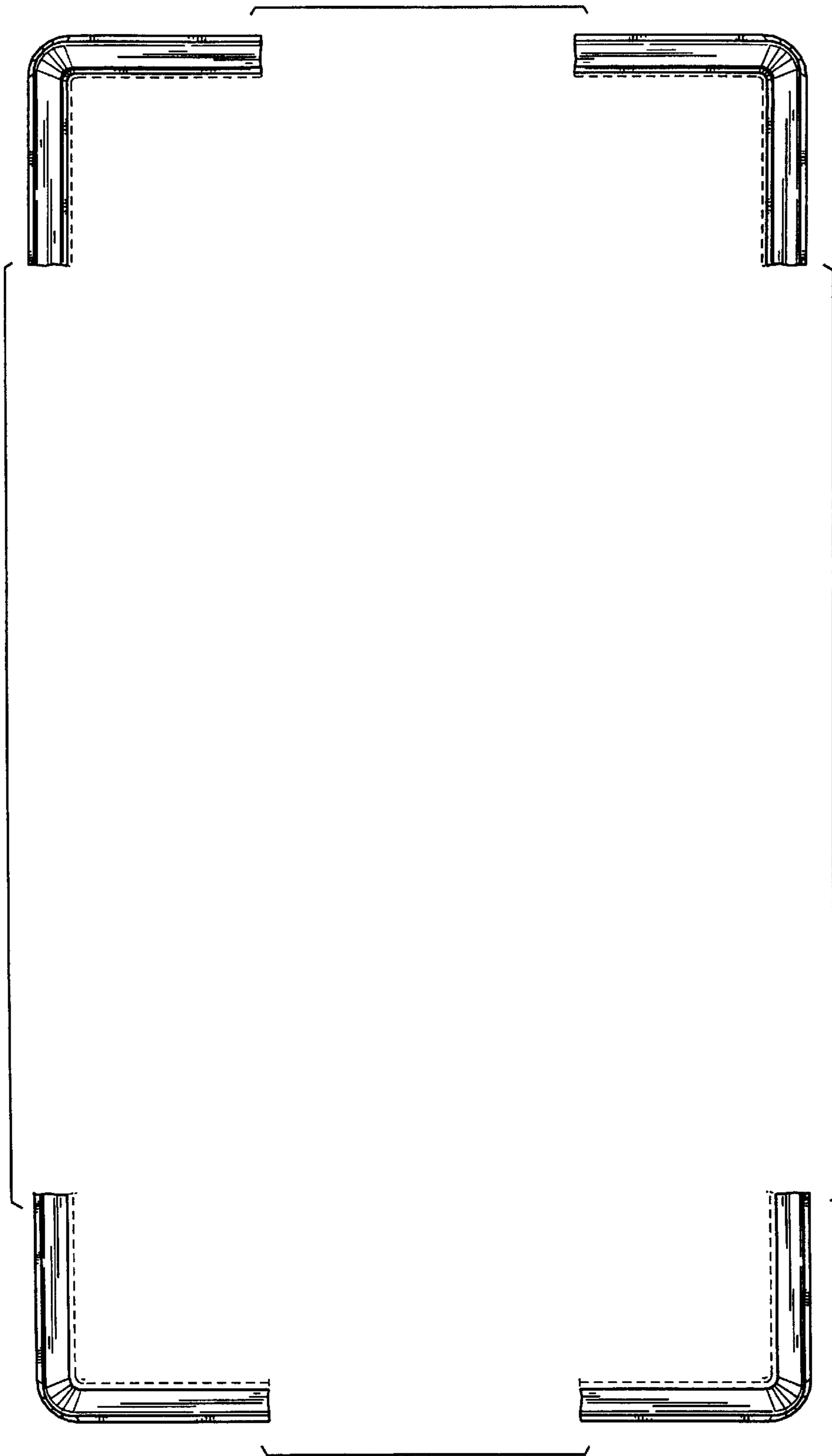


FIG. 4