



US00D472019S

(12) **United States Design Patent**
Murata

(10) **Patent No.:** **US D472,019 S**

(45) **Date of Patent:** **** Mar. 18, 2003**

(54) **CONTAINER FOR POWDER OR THE LIKE**

D436,233 S * 1/2001 Faillant-dumas D28/91

(75) Inventor: **Eiko Murata**, Tokyo (JP)

OTHER PUBLICATIONS

(73) Assignee: **Albion Cosmetics Co., Ltd.**, Tokyo (JP)

Avon C-8 1966, p. 7: Avon Deep Clean bottle.*
Avon C-17 1966, p. 17: two powder containers at top.*
Avon C-4 1972, p. 37: jar on left, and jar on right.*
Avon C-16 1973: powder containers on p. 14.*
Avon C-4 1974, p. 23: "Sweet Treat Cologne Decanter".*
Bud Hastin's Avon & C.P.C. Collector's Encyclopedia 15th Edition, ©1998, 1) p. 141: Regence Perfume Skin Softener jars at center of page 2) p. 184: Cologne Stick and its cap.*

(**) Term: **14 Years**

(21) Appl. No.: **29/164,360**

(22) Filed: **Jul. 23, 2002**

(30) **Foreign Application Priority Data**

Jan. 25, 2002 (JP) 2002-001555
Jan. 25, 2002 (JP) 2002-001554

* cited by examiner

(51) **LOC (7) Cl.** **28-02**

Primary Examiner—Ted Shooman

(52) **U.S. Cl.** **D28/91**

Assistant Examiner—C. Tuttle

(58) **Field of Search** D28/76, 77, 82,
D28/88, 91; D9/503, 504, 516, 529, 549,
555, 556, 558, 559, 568, 569, 574, 429,
442, 453, 454; 132/286-318; 206/581,
823

(74) *Attorney, Agent, or Firm*—Pitney, Hardin, Kipp & Szuch LLP

CLAIM

(57) The ornamental design for a container for powder or the like, as shown and described.

(56) **References Cited**

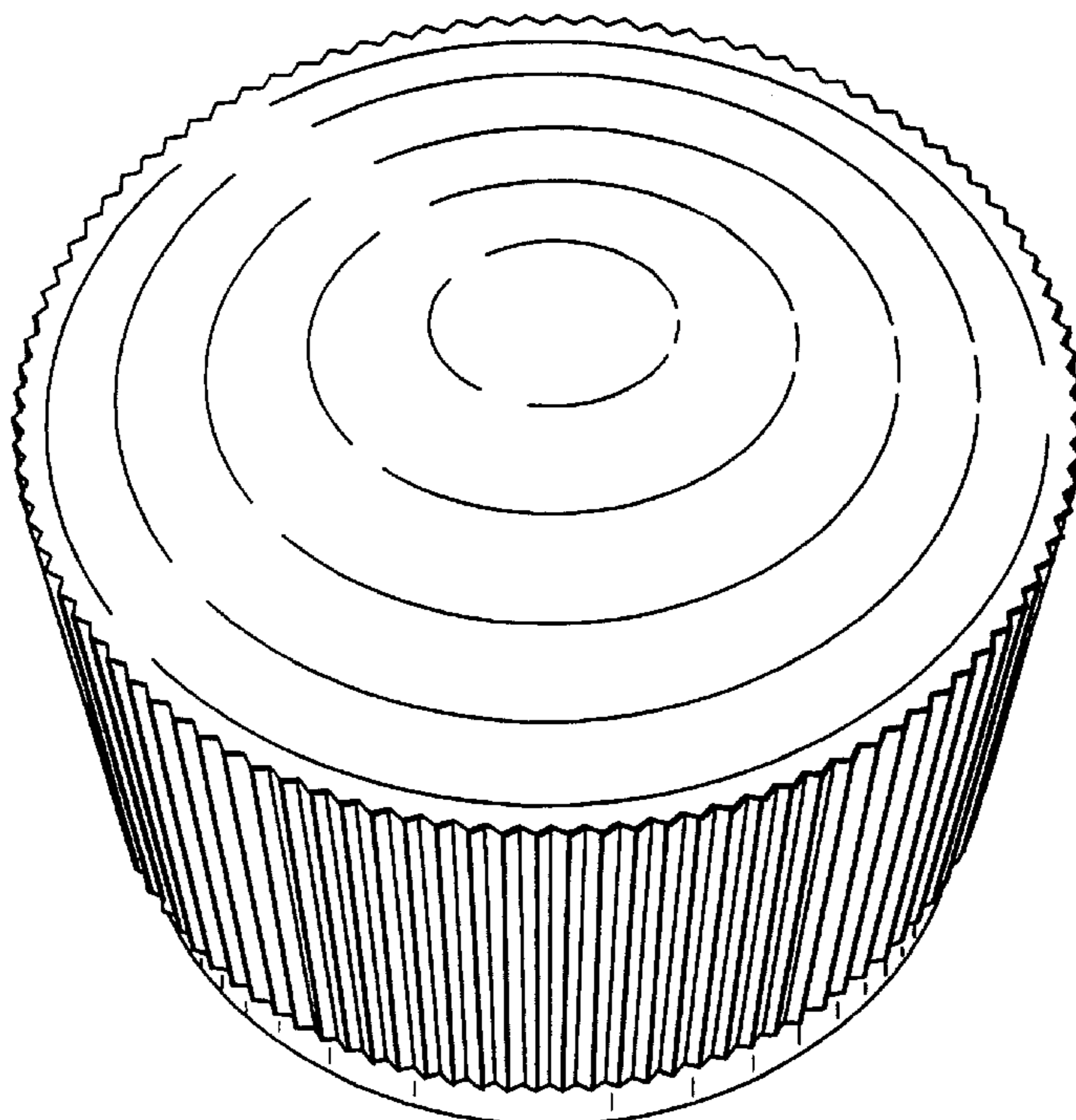
DESCRIPTION

U.S. PATENT DOCUMENTS

D57,444 S * 3/1921 Reed D9/504
D83,901 S * 4/1931 Huffman D9/453
D117,705 S * 11/1939 Abrams D9/341
D129,944 S * 10/1941 Petzold D28/85
2,318,152 A * 5/1943 Gelardin 401/78
D256,778 S * 9/1980 Stahel, II D9/504
D276,872 S * 12/1984 Williams D28/91 X
D360,706 S * 7/1995 Gavin D28/91

FIG. 1 is a perspective view of the container of my new design;
FIG. 2 is a top plan view thereof including a floral pattern thereon, shown in broken lines;
FIG. 3 is a front elevational view thereof (the rear and sides being the same); and,
FIG. 4 is a bottom plan view thereof.
The broken line showing of the floral pattern is for illustrative purposes only and forms no part of the claimed design.

1 Claim, 2 Drawing Sheets



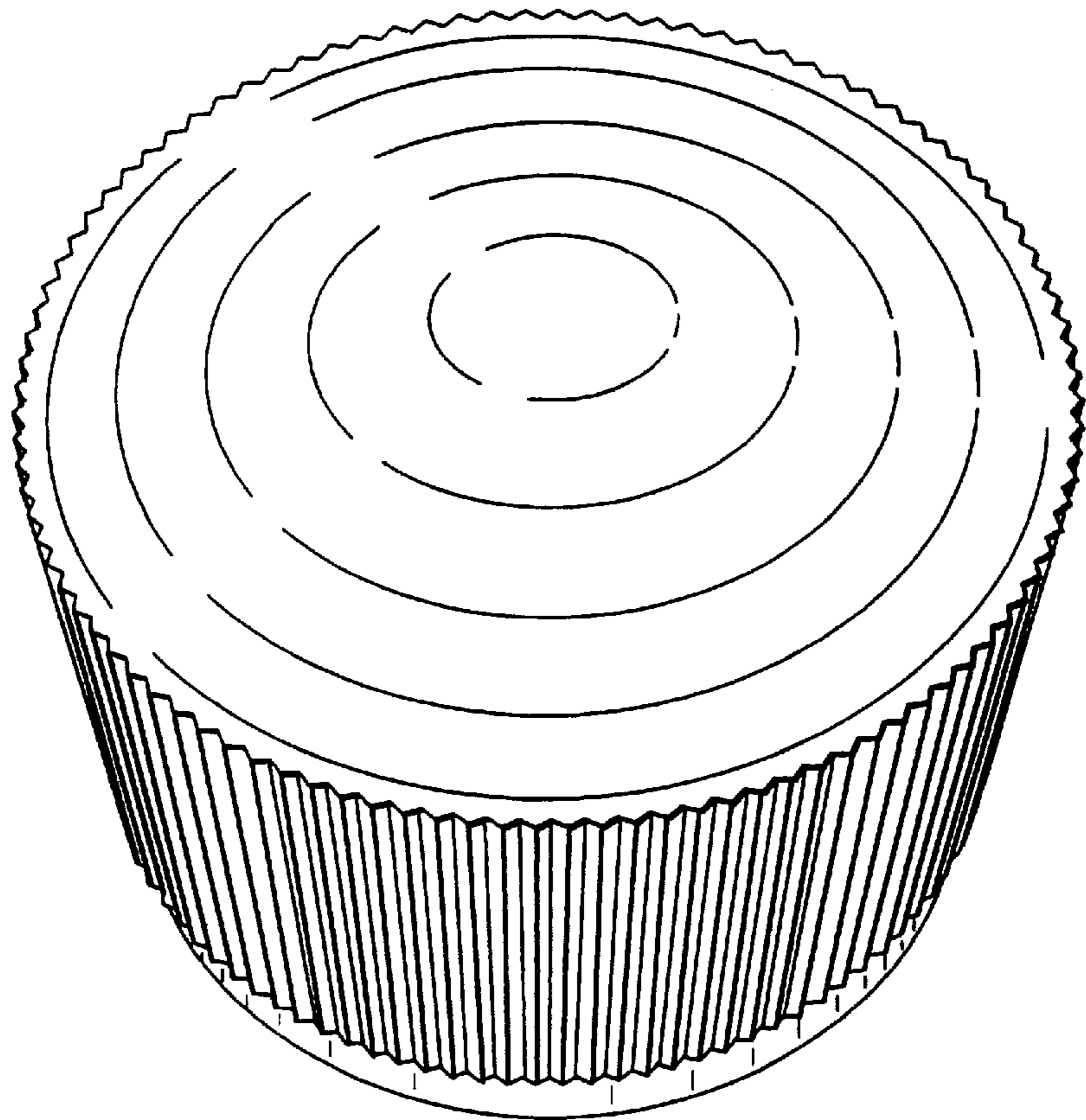


FIG. 1

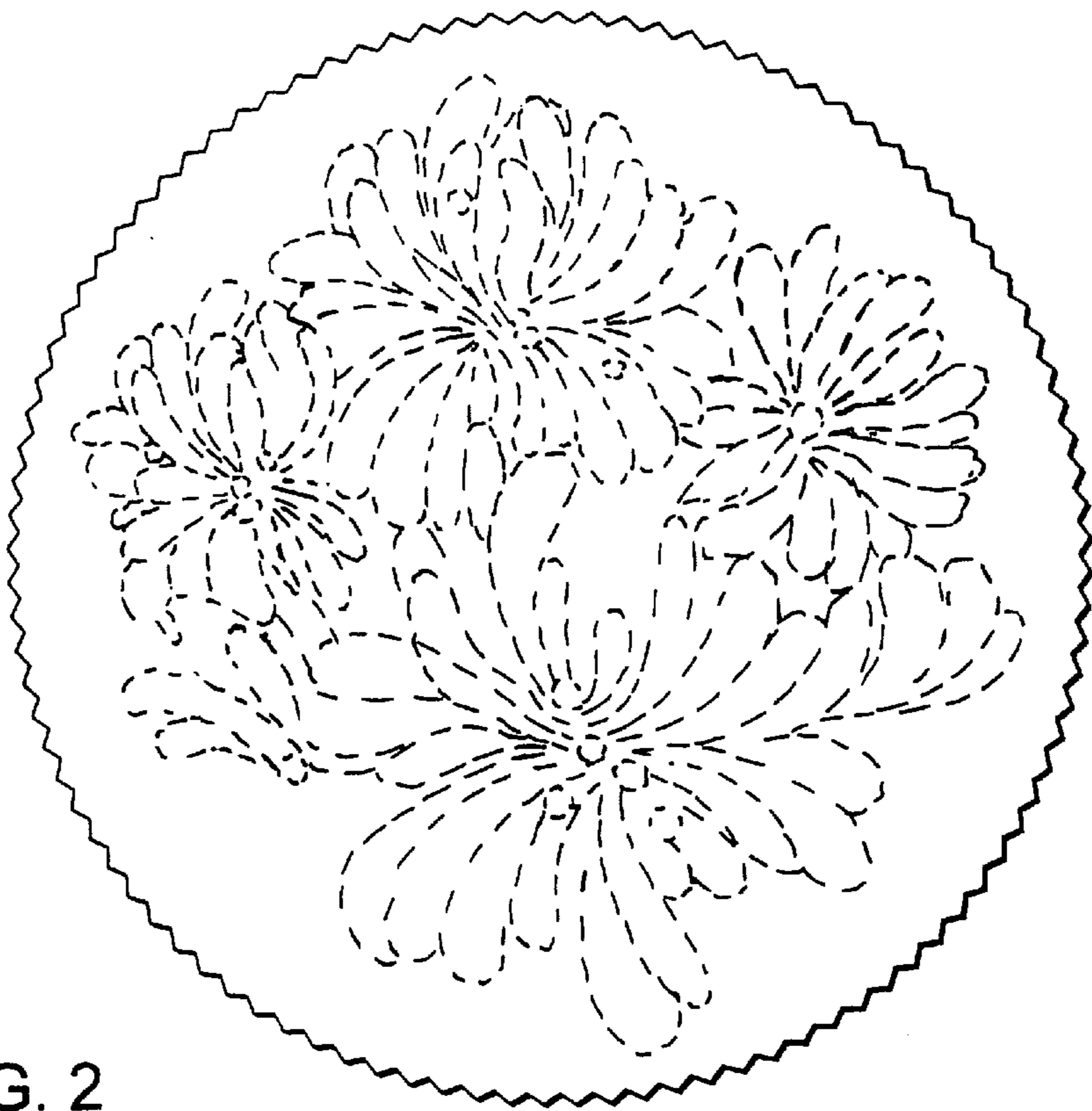


FIG. 2

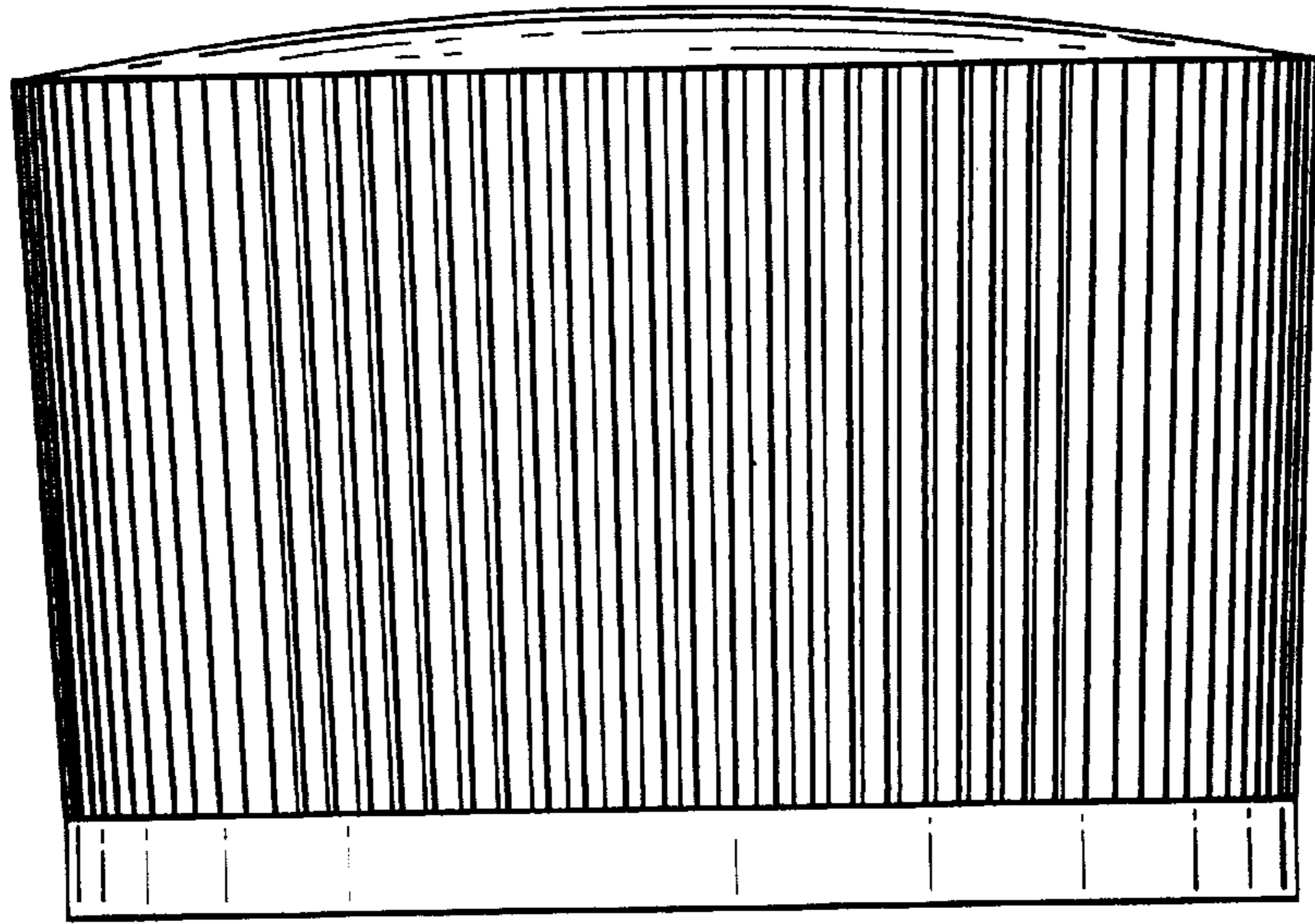


FIG. 3

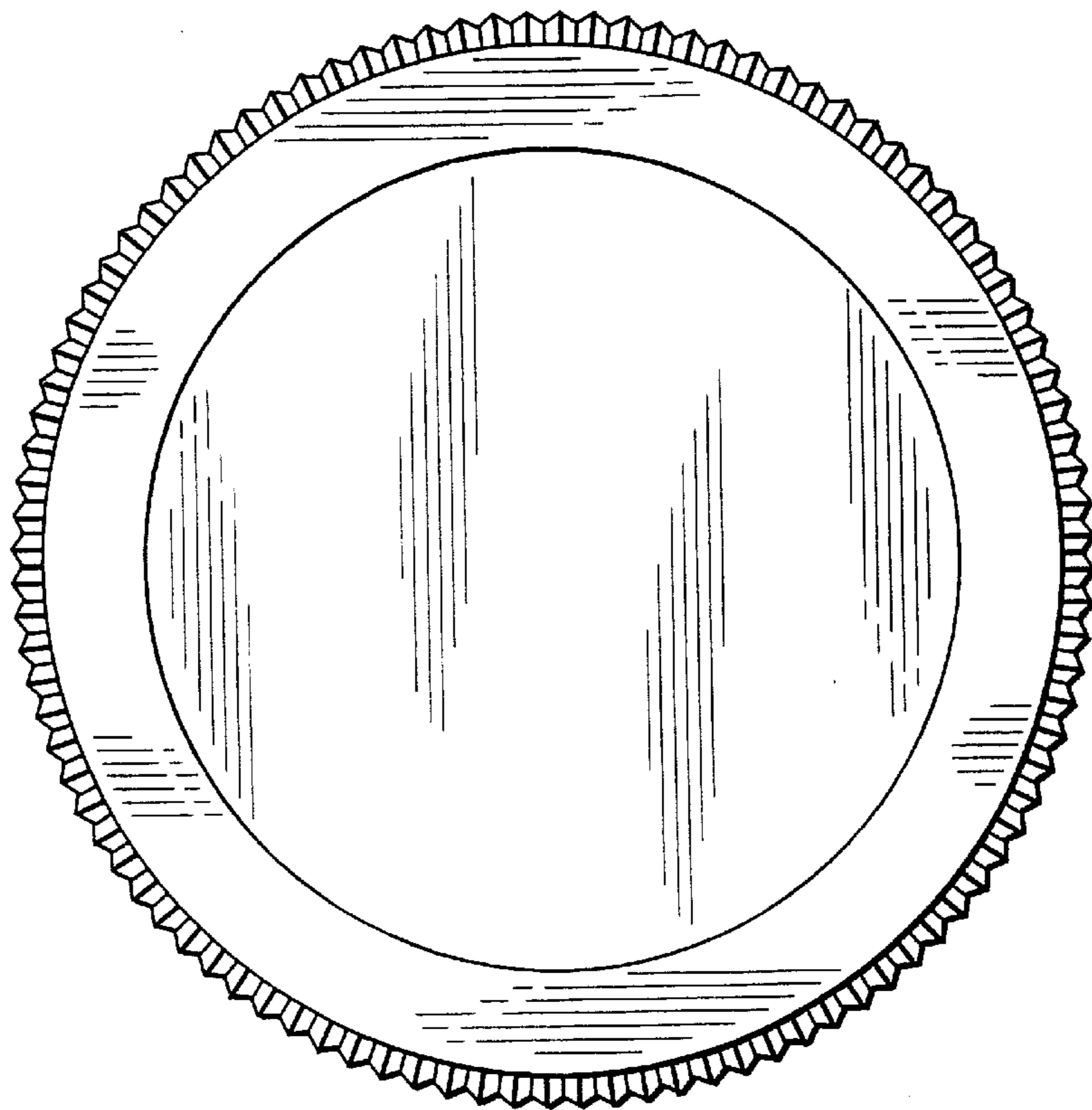


FIG. 4