



US00D472018S

(12) **United States Design Patent**
Murata

(10) **Patent No.:** **US D472,018 S**

(45) **Date of Patent:** **** Mar. 18, 2003**

(54) **CONTAINER FOR POWDERY FOUNDATION OR THE LIKE**

D265,978 S * 8/1982 Jennie D9/453
D372,341 S * 7/1996 Arntsen D28/82

(75) Inventor: **Eiko Murata**, Tokyo (JP)

OTHER PUBLICATIONS

Avon C-4 1974, page—, Blushing Cream container.*

(73) Assignee: **Albion Cosmetics Co., Ltd.**, Tokyo (JP)

* cited by examiner

(**) Term: **14 Years**

Primary Examiner—Ted Shooman

Assistant Examiner—C. Tuttle

(21) Appl. No.: **29/164,361**

(74) *Attorney, Agent, or Firm*—Pitney, Hardin, Kipp & Szuch LLP

(22) Filed: **Jul. 23, 2002**

(30) **Foreign Application Priority Data**

Jan. 25, 2002 (JP) 2002-001565
Jan. 25, 2002 (JP) 2002-001564

(57) **CLAIM**

The ornamental design for a container for powdery foundation or the like, as shown and described.

(51) **LOC (7) Cl.** **28-02**

DESCRIPTION

(52) **U.S. Cl.** **D28/82**

FIG. 1 is a perspective view of the container of my new design;

(58) **Field of Search** D28/76-91; D9/420, D9/423, 429; 132/286-318; 206/235, 581, 823; 220/DIG. 26

FIG. 2 is a top plan view thereof including a floral pattern thereon, shown in broken lines;

(56) **References Cited**

U.S. PATENT DOCUMENTS

D56,095 S * 8/1920 Brill D9/504
D113,332 S * 2/1939 Piluso D9/453
D130,407 S * 1/1941 McIntosh D28/76
D127,326 S * 5/1941 Petzold D28/76
D139,513 S * 11/1944 Derham D28/82
D250,548 S * 12/1978 Rost D28/79

FIG. 3 is a front elevational view thereof;

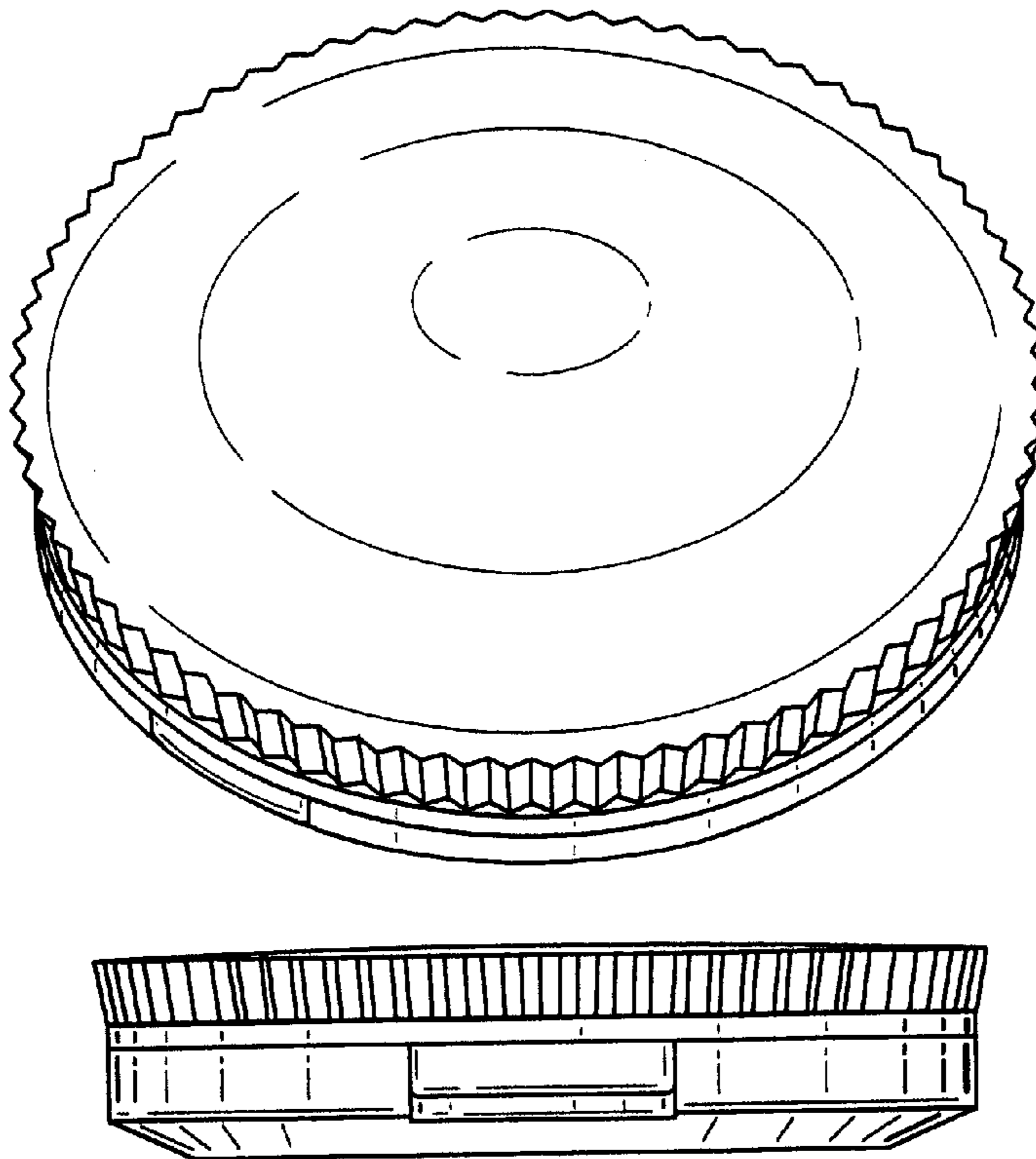
FIG. 4 is a side elevational view thereof, the opposite side being the same;

FIG. 5 is a rear elevational view thereof; and,

FIG. 6 is a bottom plan view thereof.

The broken line showing of the floral pattern is for illustrative purposes only and forms no part of the claimed design.

1 Claim, 2 Drawing Sheets



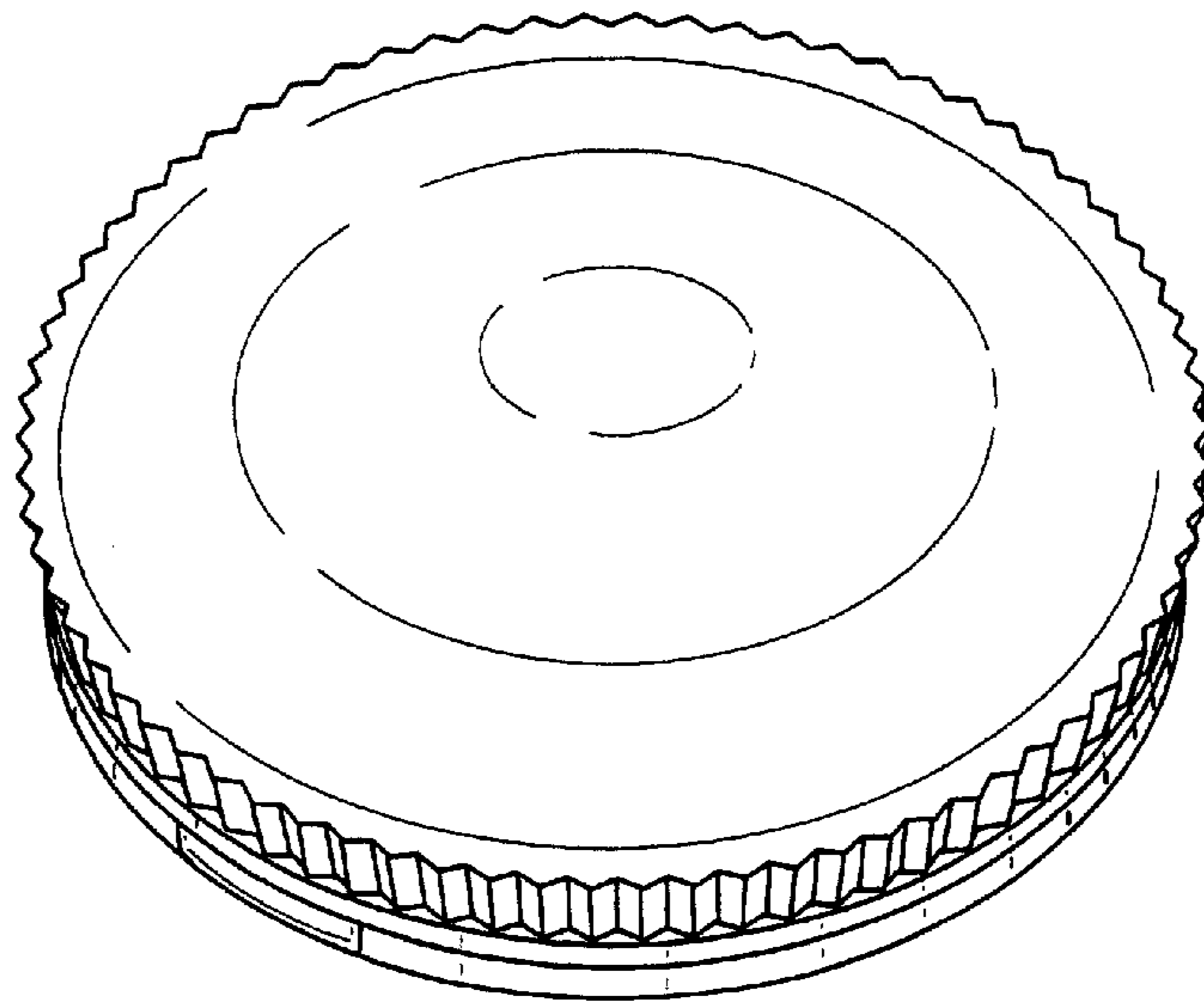


FIG. 1

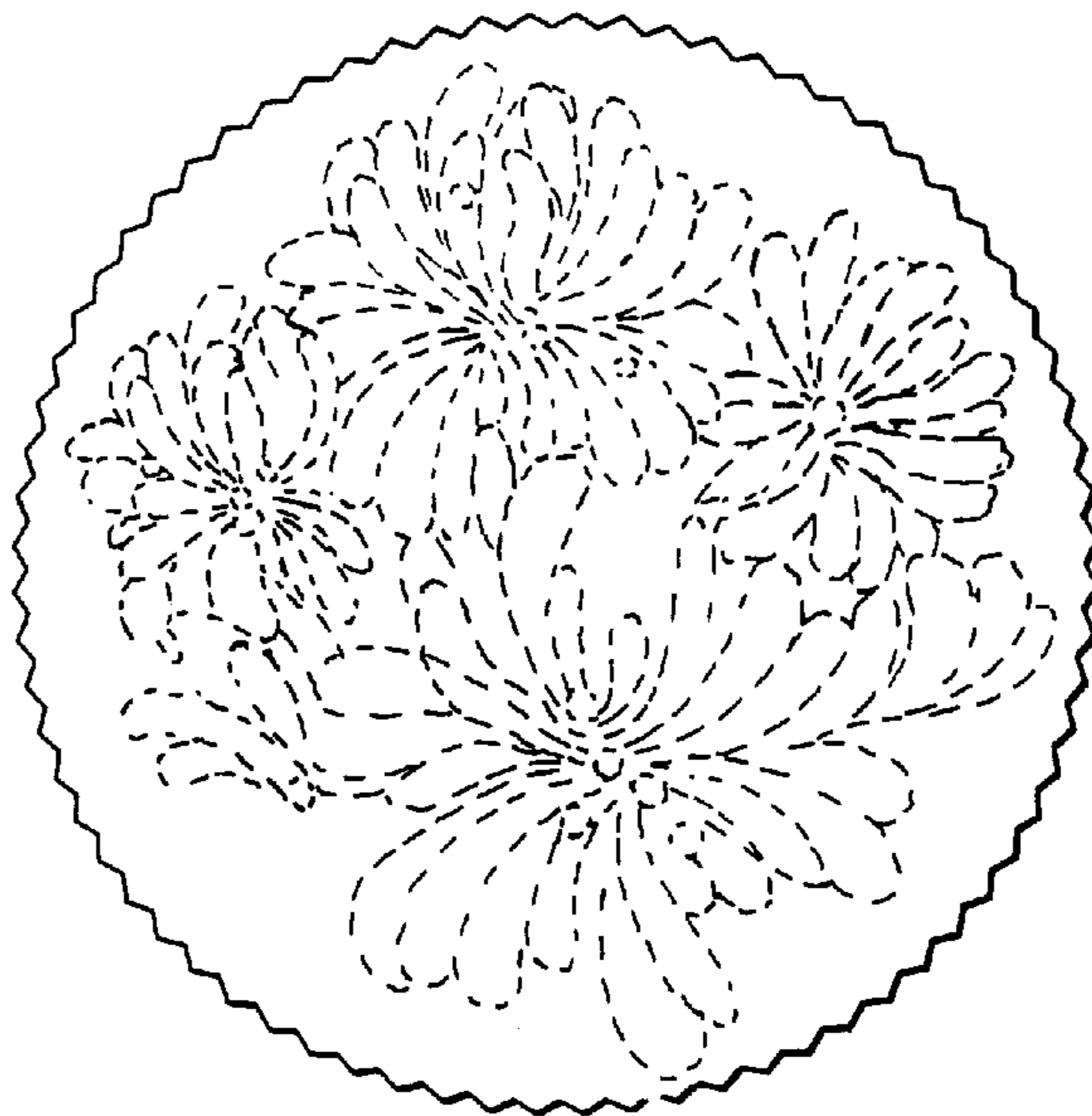


FIG. 2

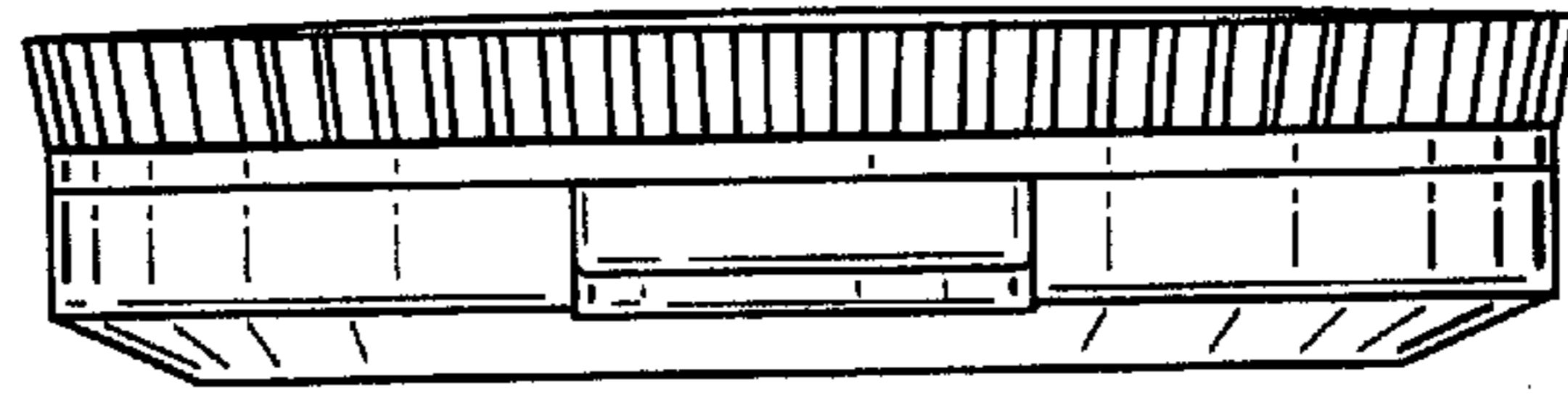


FIG. 3

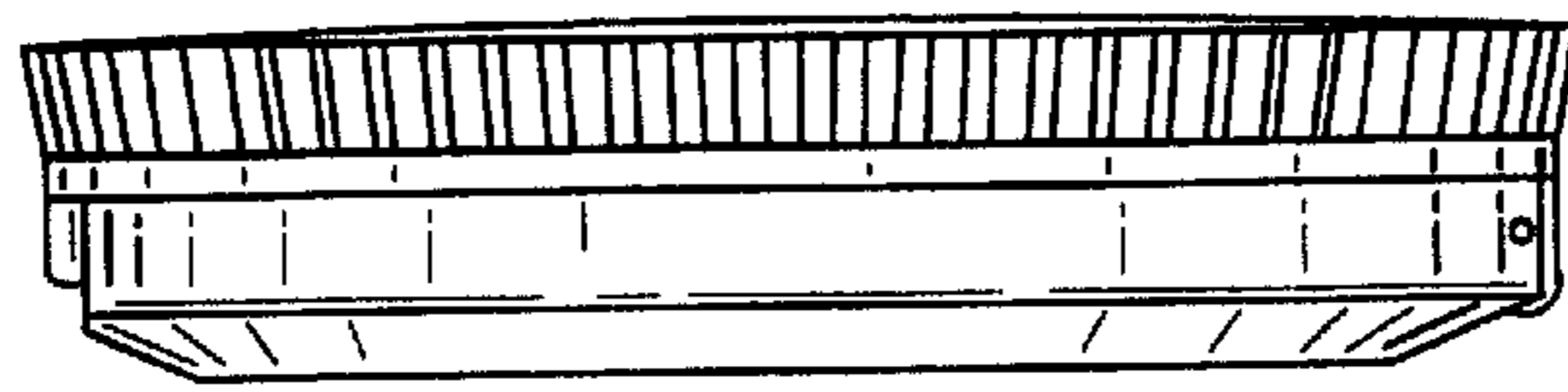


FIG. 4

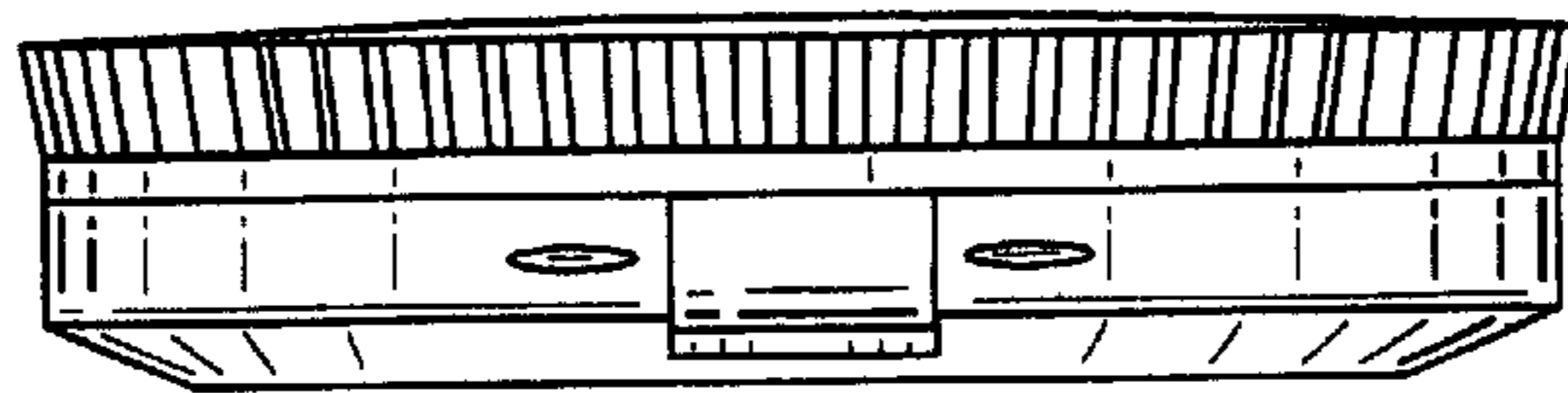


FIG. 5

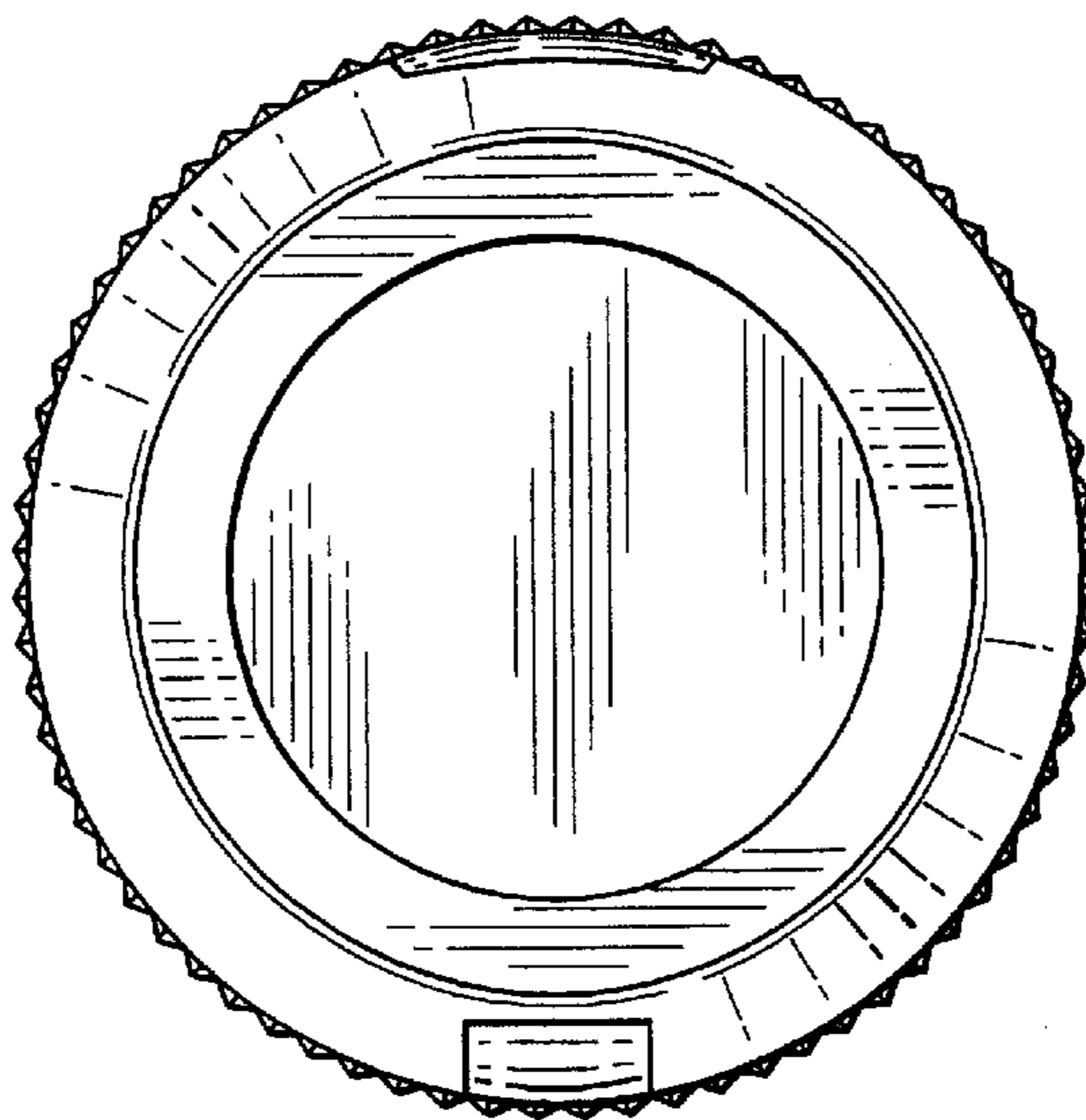


FIG. 6