



US00D472015S

(12) **United States Design Patent**
Young

(10) **Patent No.:** **US D472,015 S**

(45) **Date of Patent:** **** Mar. 18, 2003**

(54) **HAND HELD HAIR BLOW DRYER**

(75) Inventor: **Wei Young**, Flushing, NY (US)

(73) Assignee: **Zhejiang Superhuman Group Co. Ltd.**, Zhejiang (CN)

(**) Term: **14 Years**

(21) Appl. No.: **29/164,566**

(22) Filed: **Jul. 26, 2002**

(51) **LOC (7) Cl.** **28-03**

(52) **U.S. Cl.** **D28/13; D28/16**

(58) **Field of Search** D28/13, 16, 12,
D28/15; 34/96-101; 392/380, 383, 384,
385

(56) **References Cited**

U.S. PATENT DOCUMENTS

D398,418	S	*	9/1998	Garrett et al.	D28/13
6,011,903	A	*	1/2000	Nosenchuck	392/385
D422,114	S	*	3/2000	Gudefin	D28/13
D453,395	S	*	2/2002	Yeung	D28/16
D455,859	S	*	4/2002	Lai	D28/13
D462,140	S	*	8/2002	Watanabe et al.	D28/13

OTHER PUBLICATIONS

Hong Kong Enterprise, Oct., 1997, p. 727, "Tiny Hairdryer" YL-327.*

* cited by examiner

Primary Examiner—Lucy Lieberman

(74) *Attorney, Agent, or Firm*—John R. Benefiel

(57) **CLAIM**

The ornamental design for hand held hair blow dryer, as shown and described.

DESCRIPTION

FIG. 1 is a left side view of a hand held hair blow dryer according to the present invention.

FIG. 2 is a right side view of the hand held hair blow dryer shown in FIG. 1.

FIG. 3 is a front view of the hand held hair blow dryer shown in FIGS. 1 and 2.

FIG. 4 is a rear view of the hand held hair blow dryer shown in FIGS. 1-3.

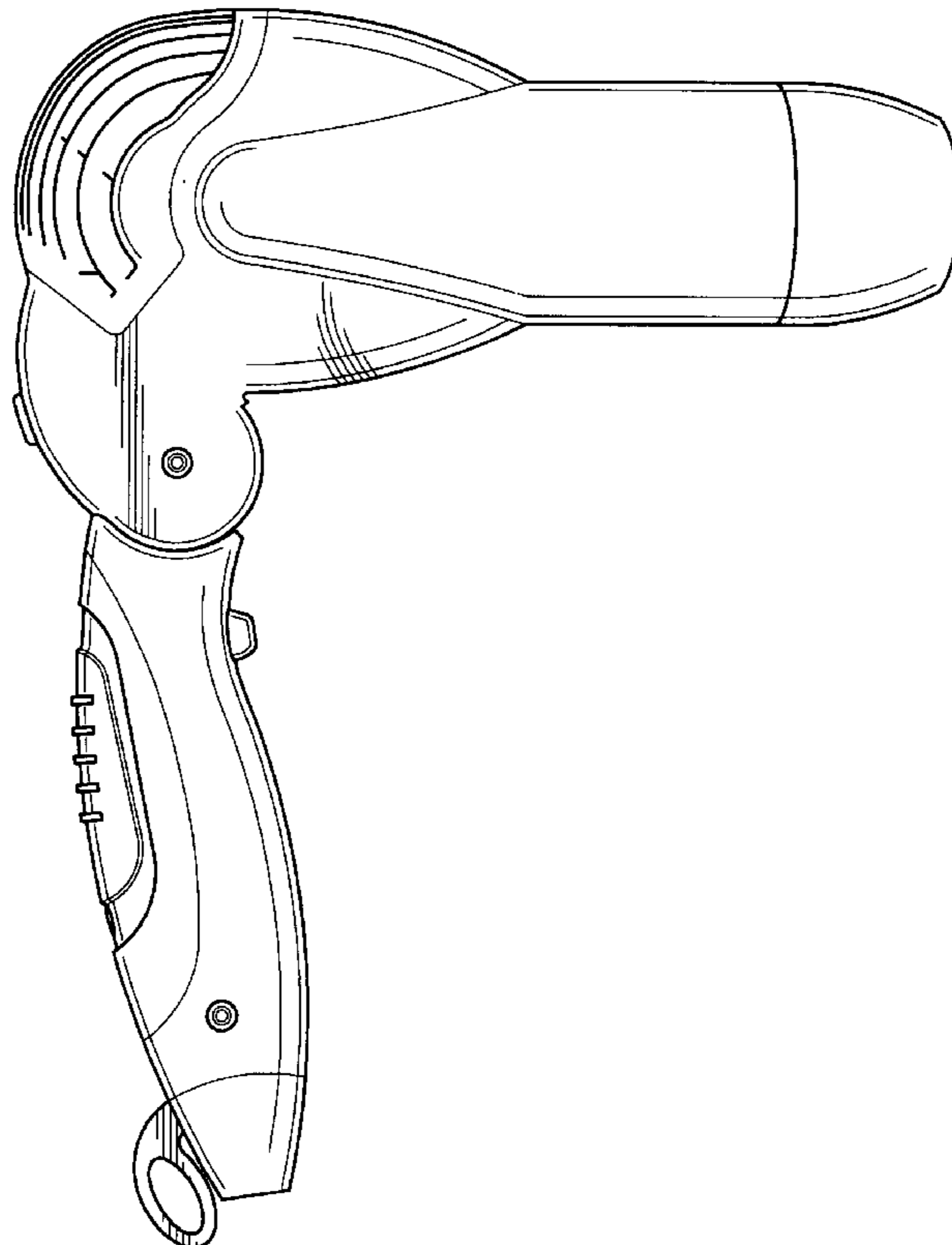
FIG. 5 is a top view of the hand held hair blow dryer shown in FIGS. 1-4.

FIG. 6 is a bottom view of the hand held hair blow dryer shown in FIGS. 1-5; and,

FIG. 7 is a right side view of the hand held hair blow dryer shown in the folded condition.

The broken lines showing internal structures in FIGS. 3, 4 and 5 are for illustrative purposes only and do not form part of the claimed design.

1 Claim, 3 Drawing Sheets



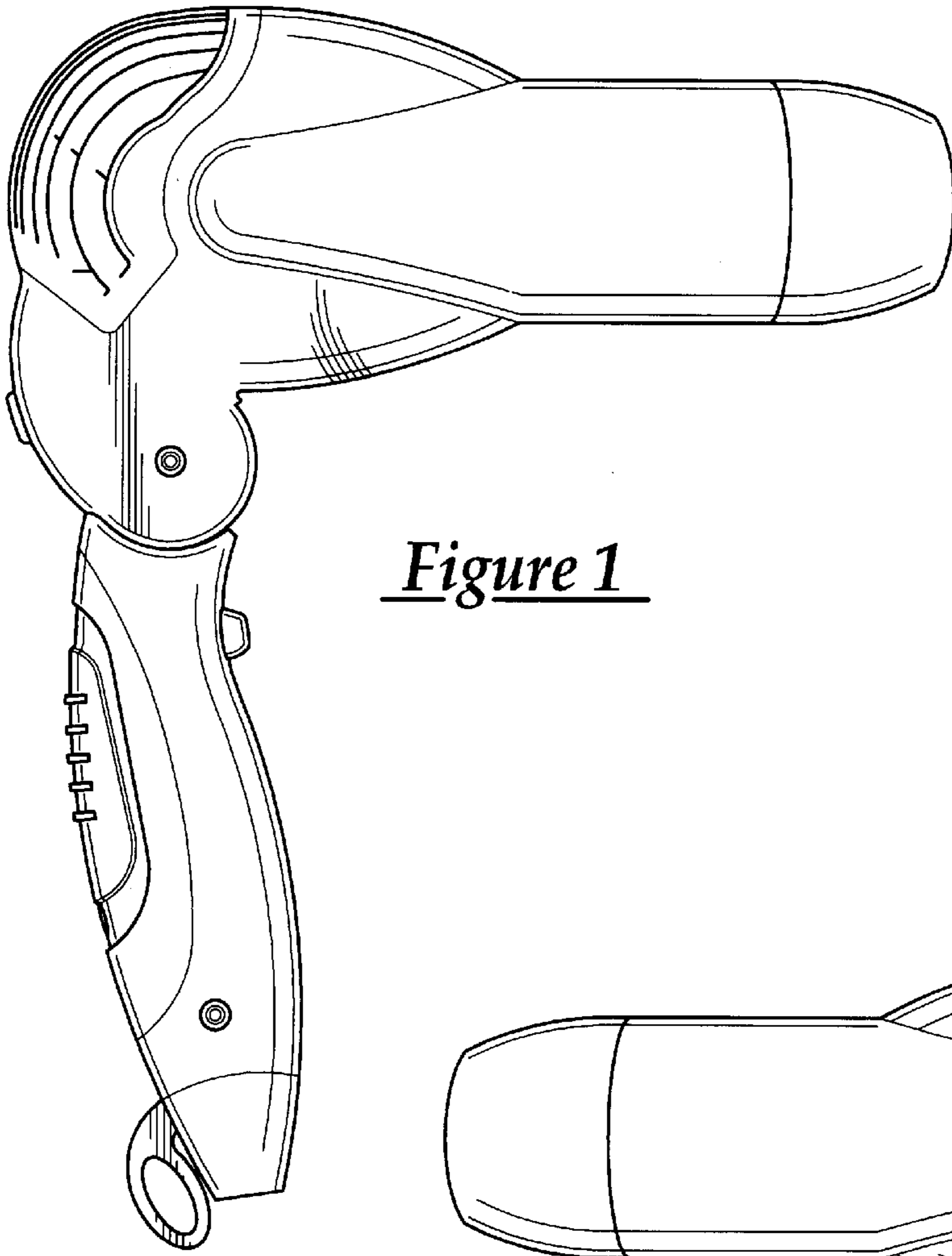


Figure 1

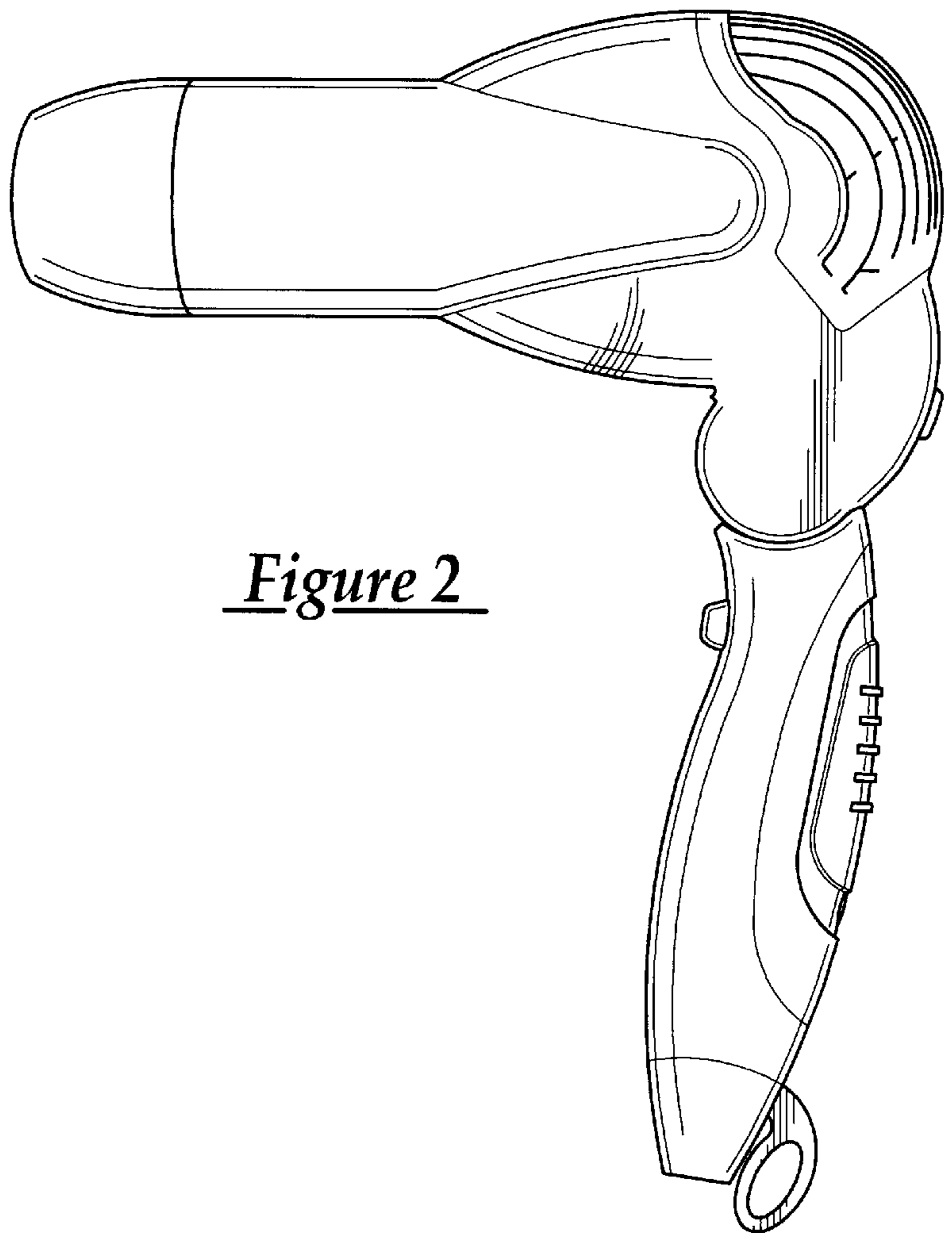


Figure 2

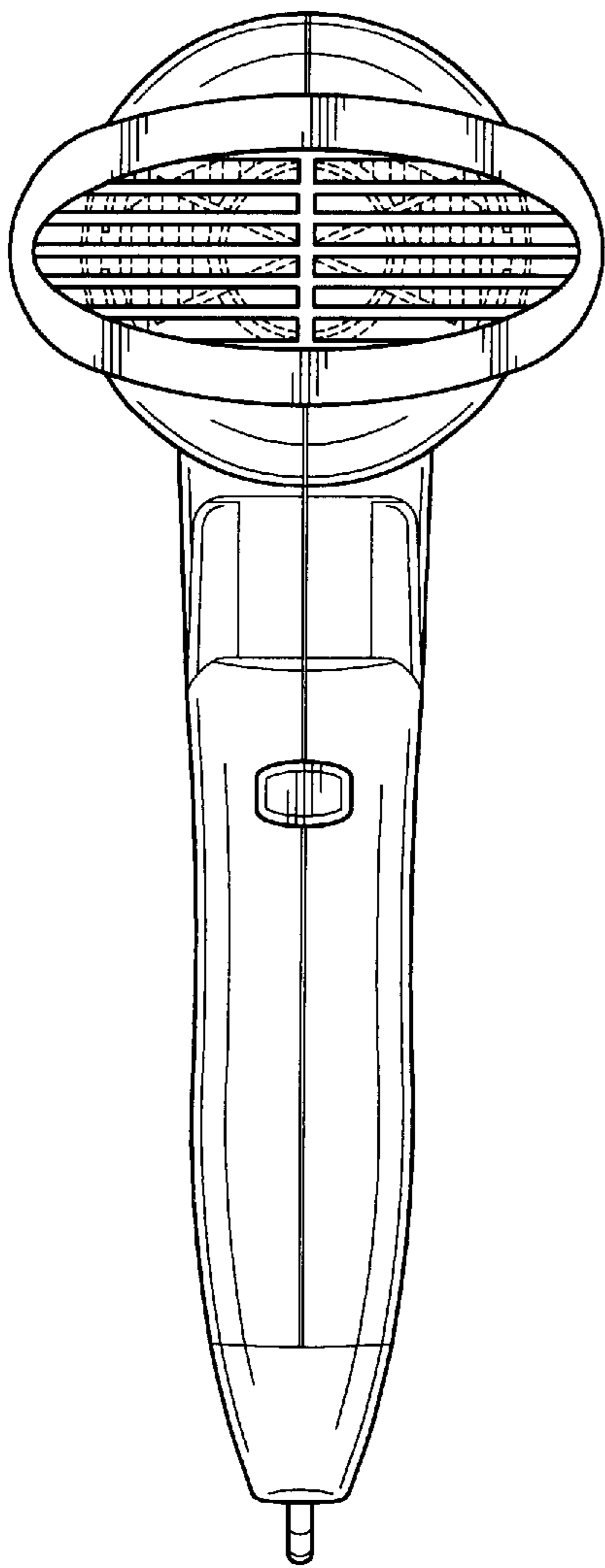


Figure 3

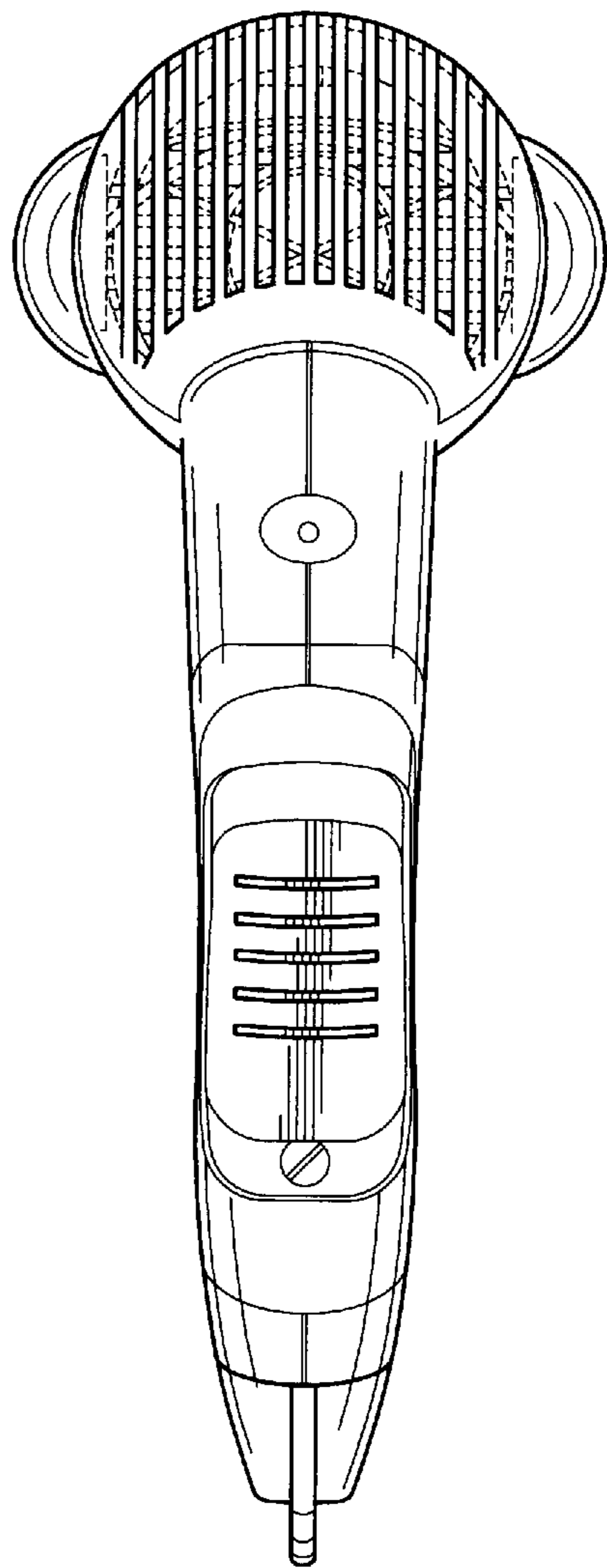


Figure 4

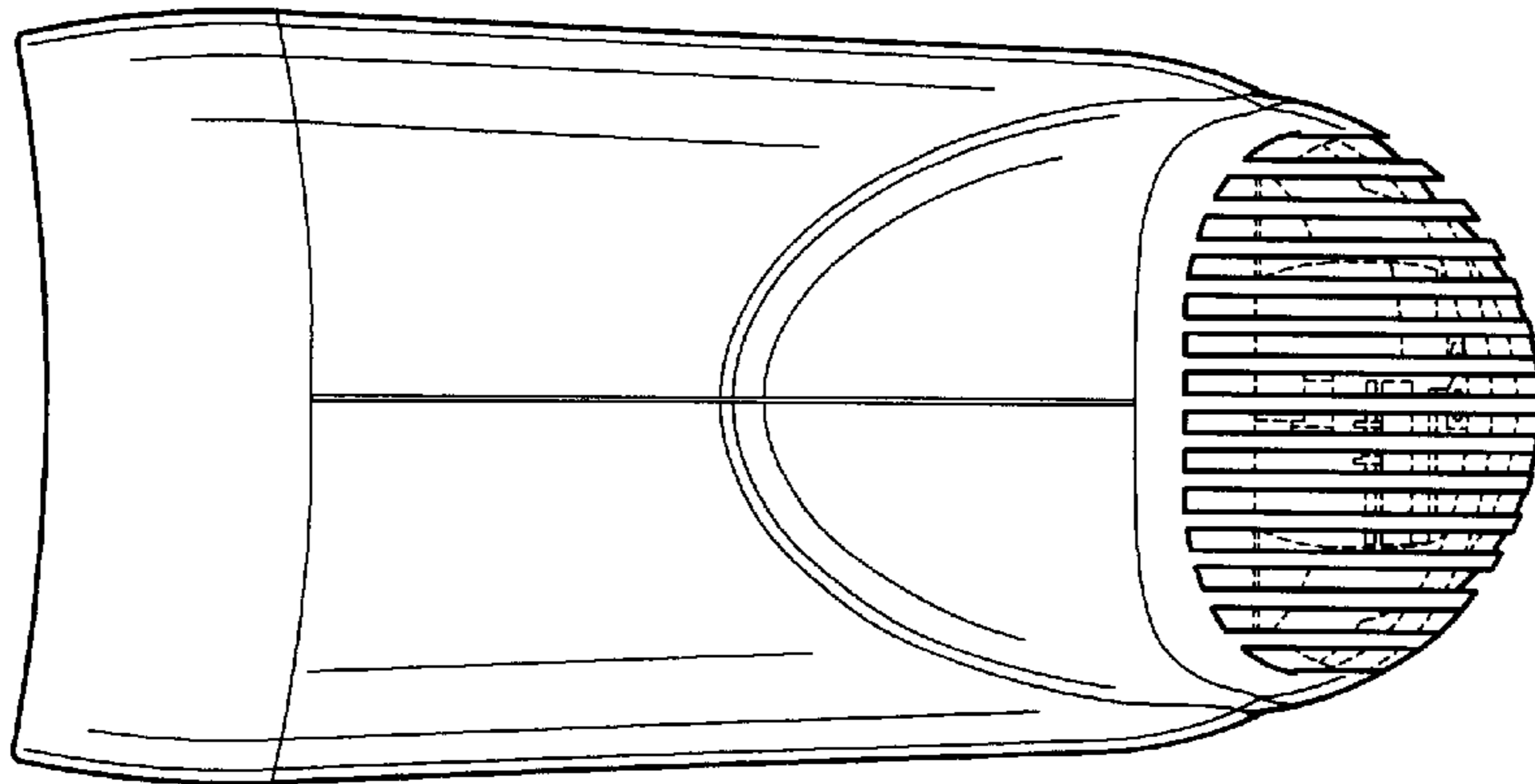


Figure 5

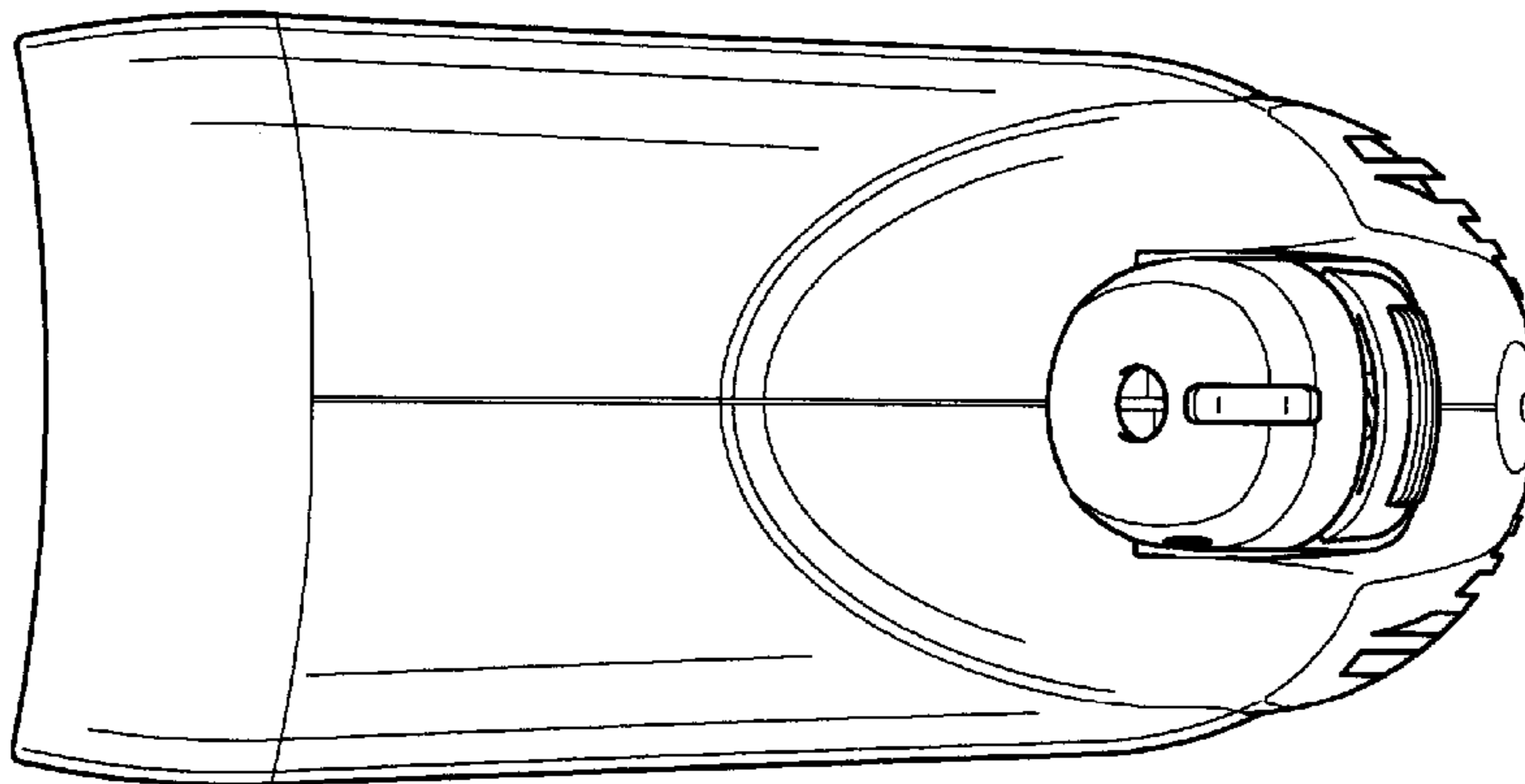


Figure 6

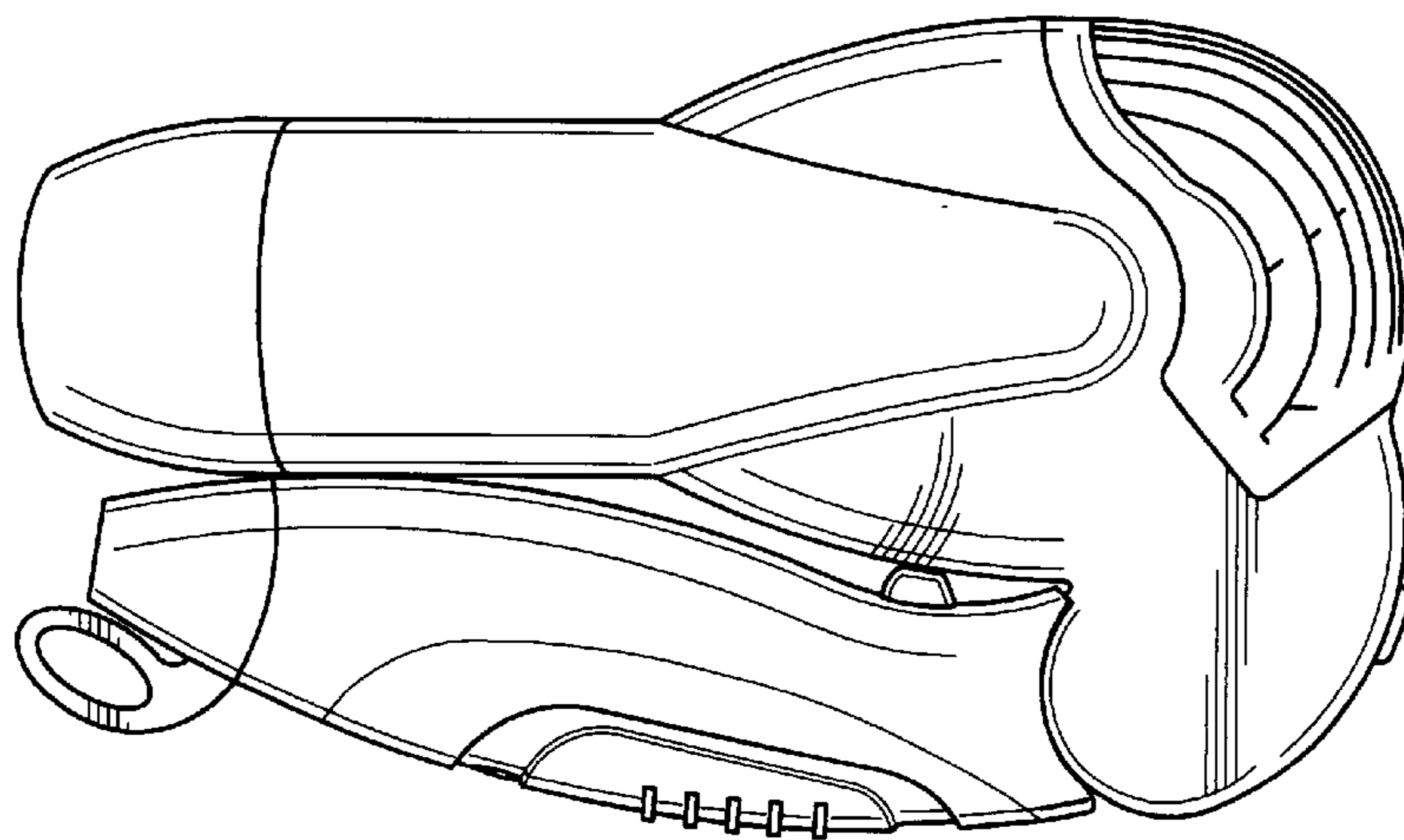


Figure 7