



US00D472012S

(12) **United States Design Patent**
South

(10) **Patent No.:** **US D472,012 S**

(45) **Date of Patent:** **** Mar. 18, 2003**

(54) **ASHTRAY**

D360,484 S * 7/1995 Estabaya D27/186
D399,596 S * 10/1998 Underwood D27/102

(76) **Inventor:** **Jimmy L. South**, 406 Poplar Grove
Dr., Thomaston, GA (US) 30286

* cited by examiner

(**) **Term:** **14 Years**

Primary Examiner—Jennifer Rivard

(21) **Appl. No.:** **29/159,014**

(57) **CLAIM**

(22) **Filed:** **Apr. 15, 2002**

The ornamental design for an ashtray, as shown and described.

(51) **LOC (7) Cl.** **27-03**

DESCRIPTION

(52) **U.S. Cl.** **D27/105; D27/189**

(58) **Field of Search** D27/102–105,
D27/186–189; 206/236, 242, 259, 265,
269; 131/231, 235.1, 240.1, 242

FIG. 1 is a front view of an ashtray showing my new design with the dash lines not forming a part of the ornamental design.

FIG. 2 is a rear view of the ashtray.

FIG. 3 is a side view of the ashtray.

FIG. 4 is a top view of the ashtray.

FIG. 5 is a bottom view of the ashtray; and,

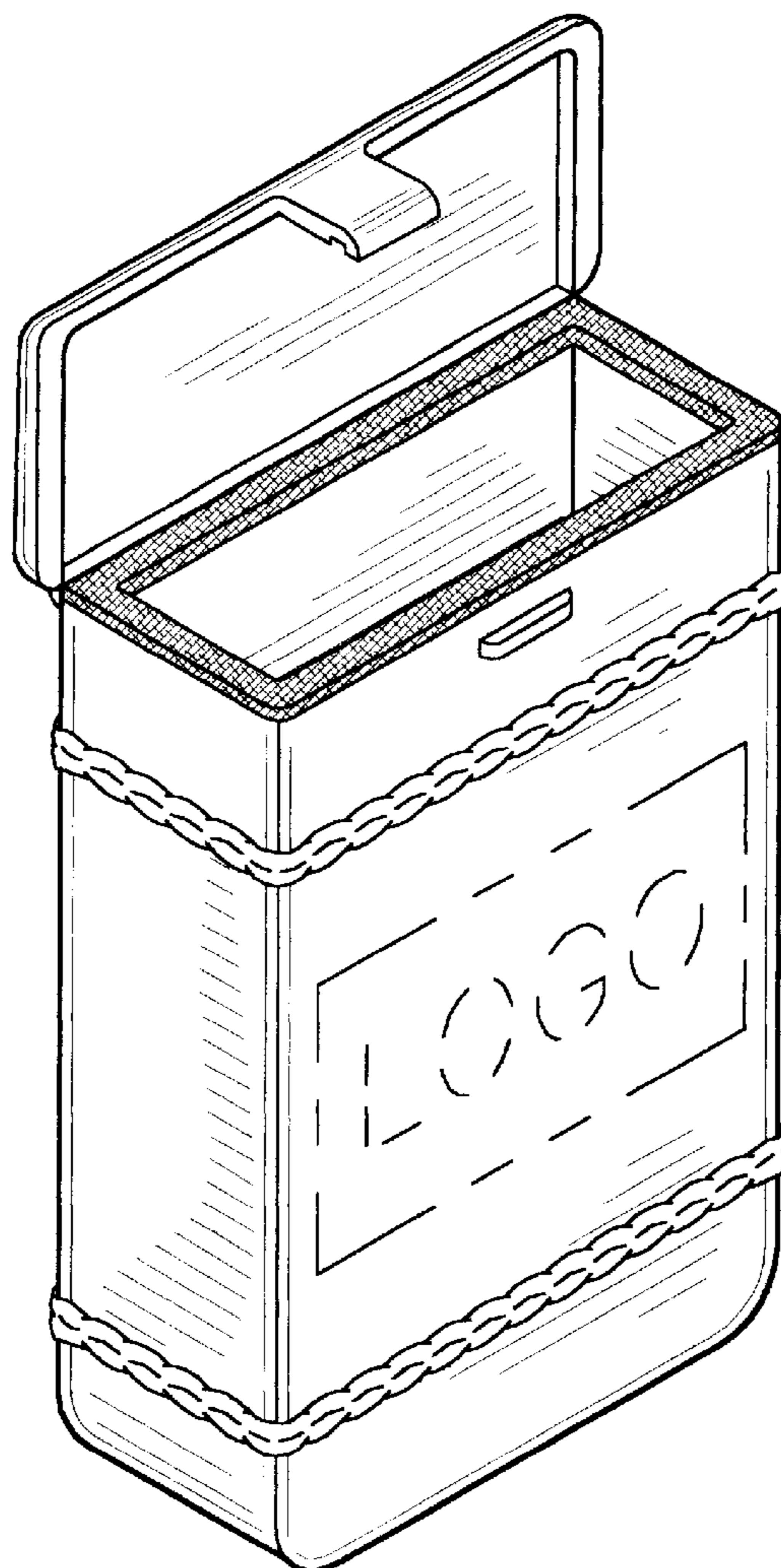
FIG. 6 is a perspective view of the ashtray with the dash lines not forming a part of the ornamental design.

(56) **References Cited**

U.S. PATENT DOCUMENTS

D142,676 S * 10/1945 Siegel 206/259
2,536,725 A * 1/1951 Cleveland 206/236
D304,508 S * 11/1989 Charet et al. D27/105
5,277,315 A * 1/1994 Plein 206/270

1 Claim, 3 Drawing Sheets



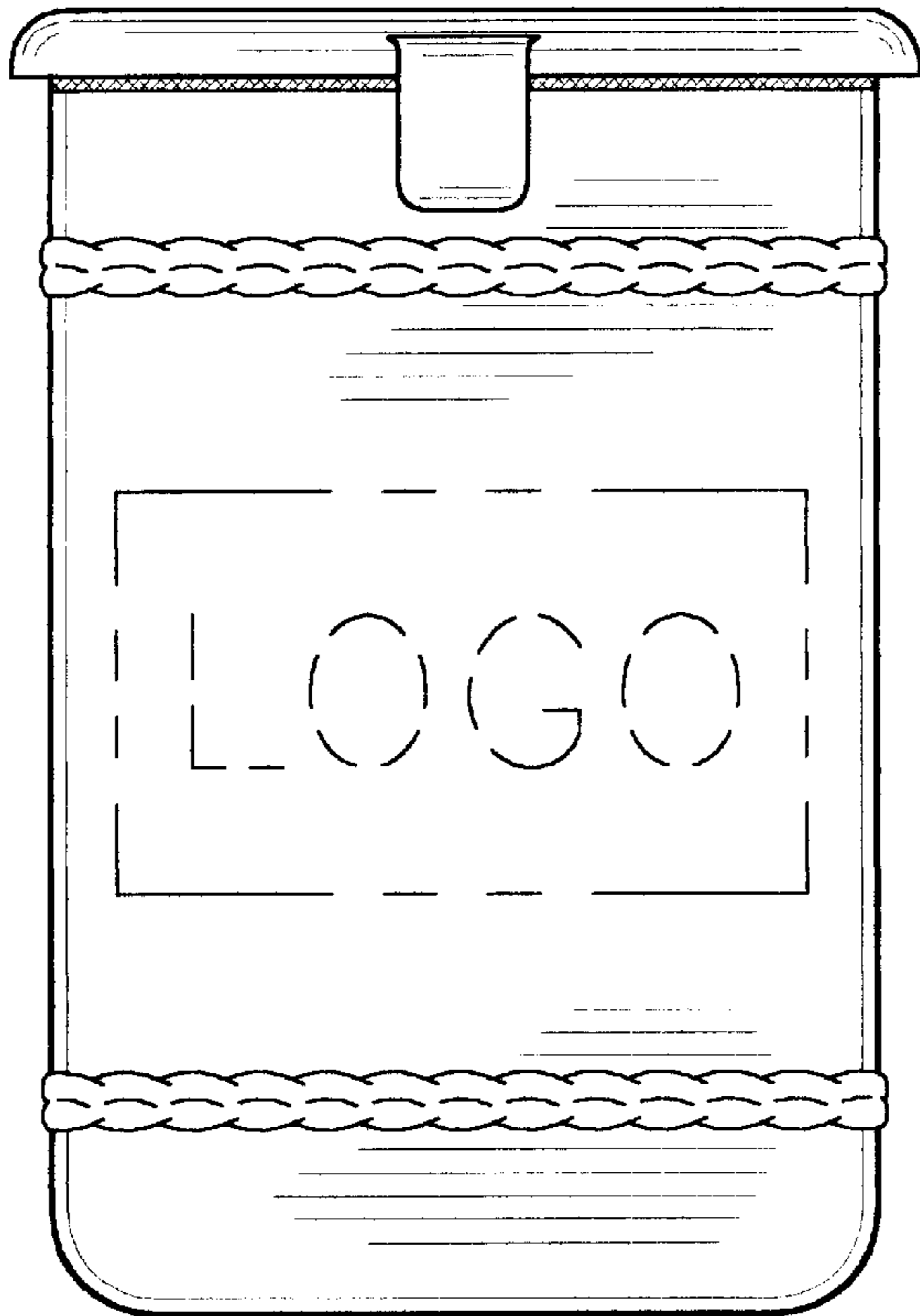


FIG. 1

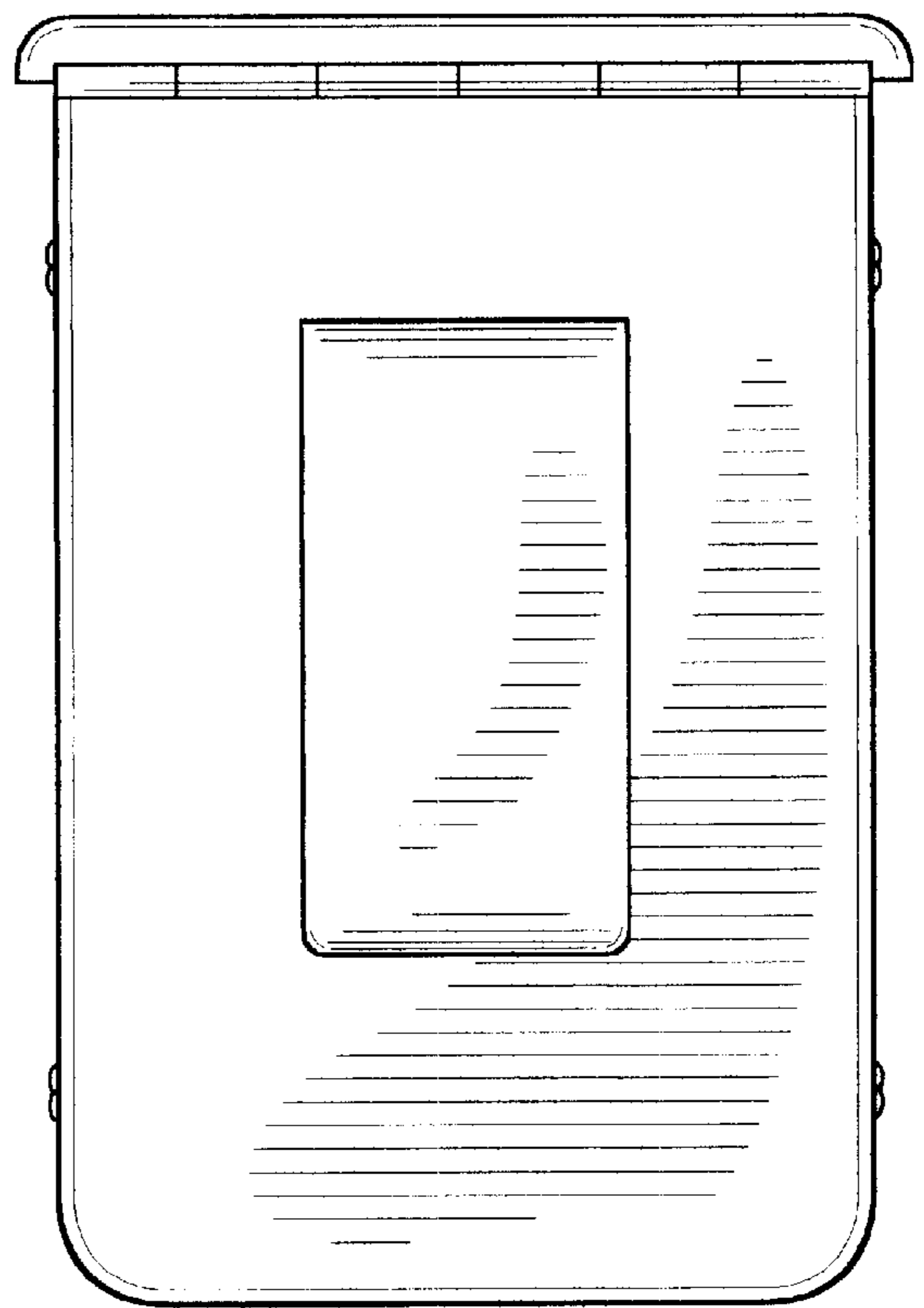


FIG. 2

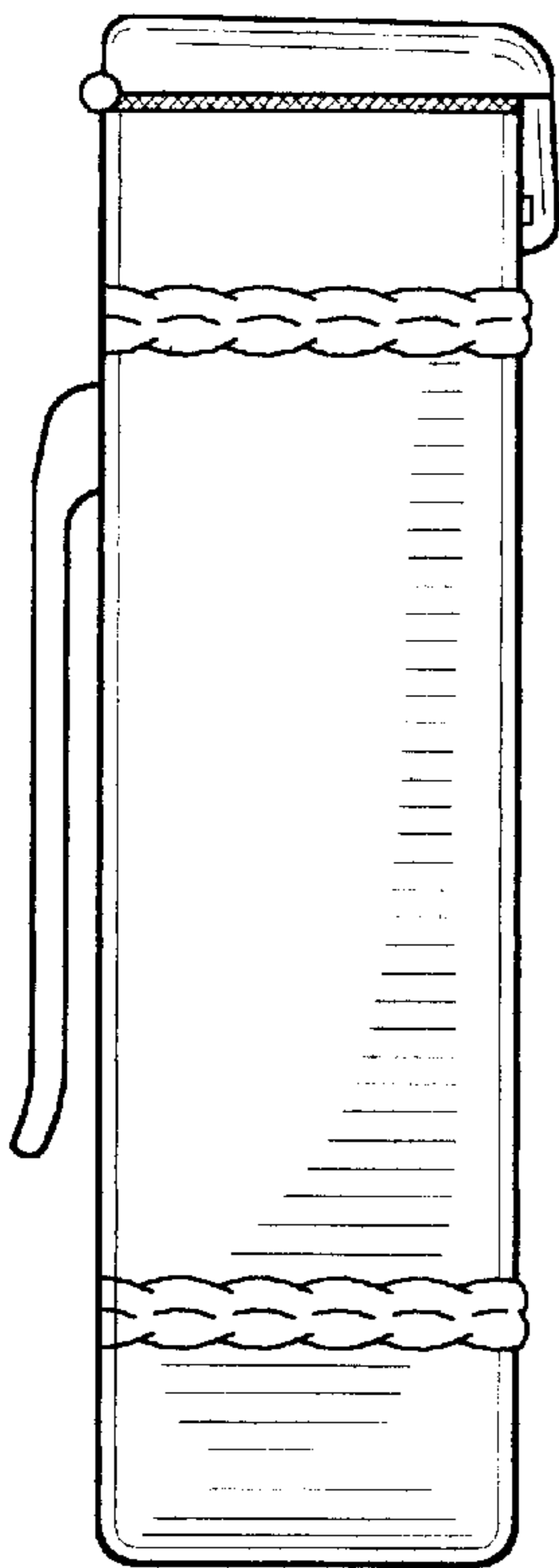


FIG. 3

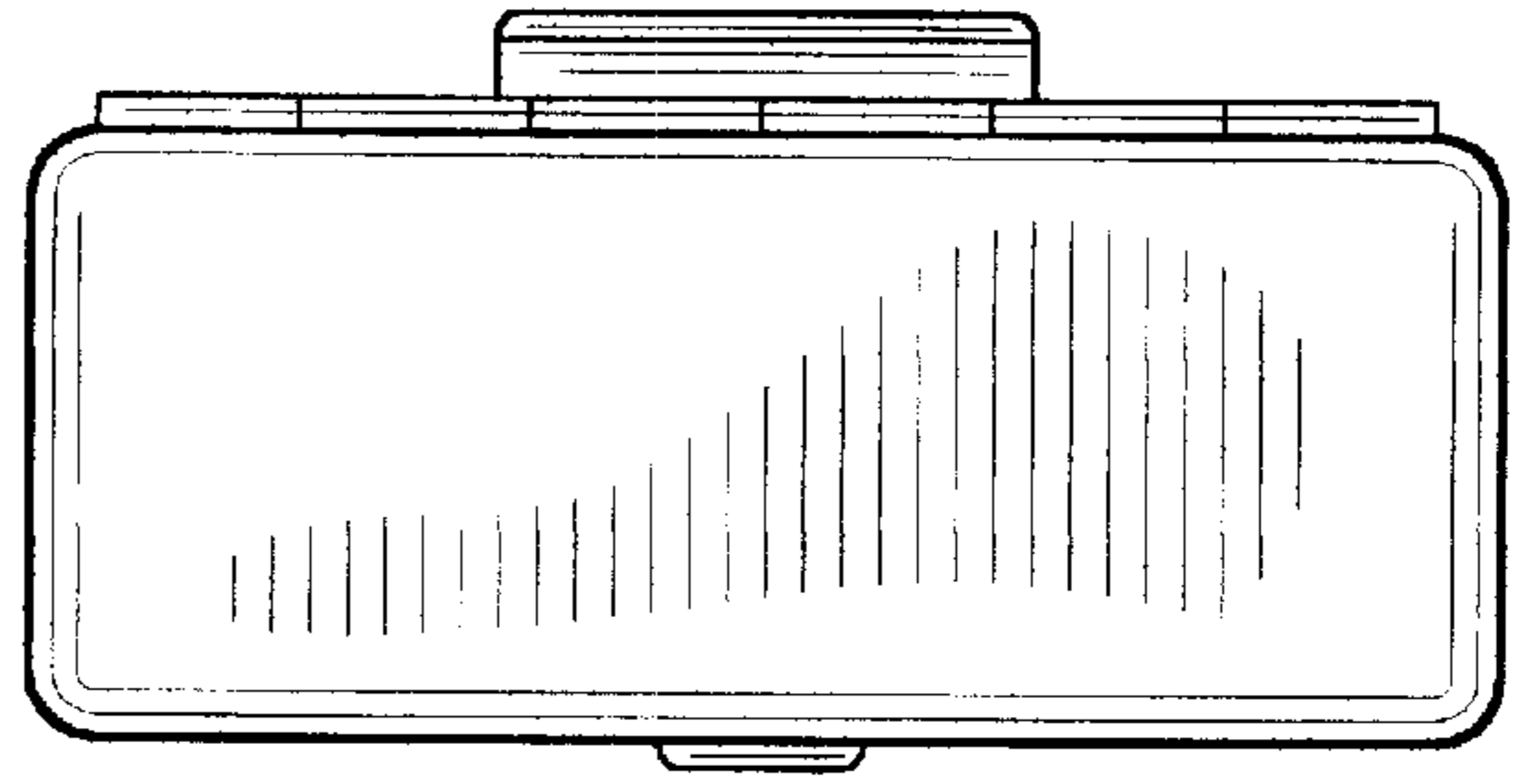


FIG. 4

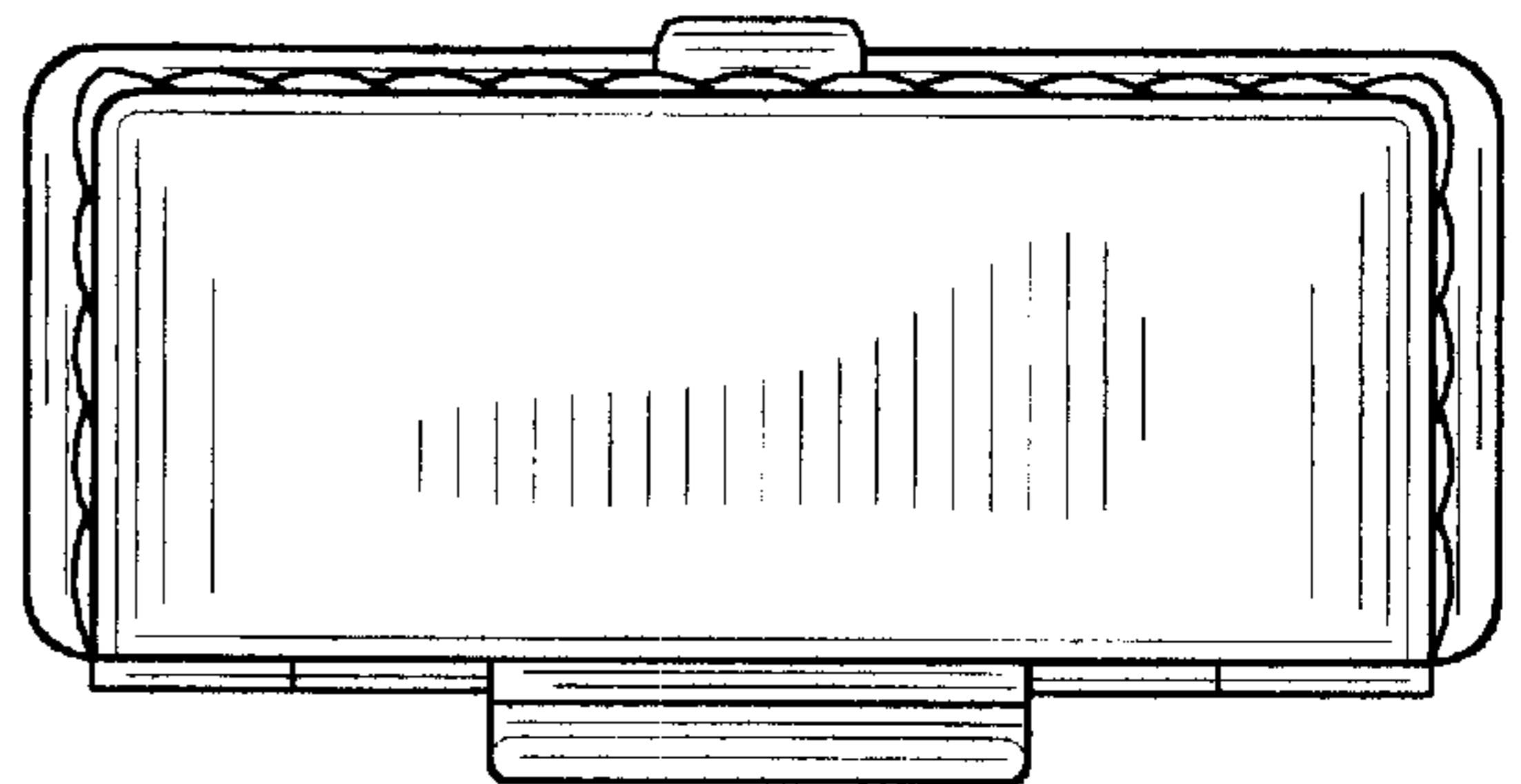


FIG. 5

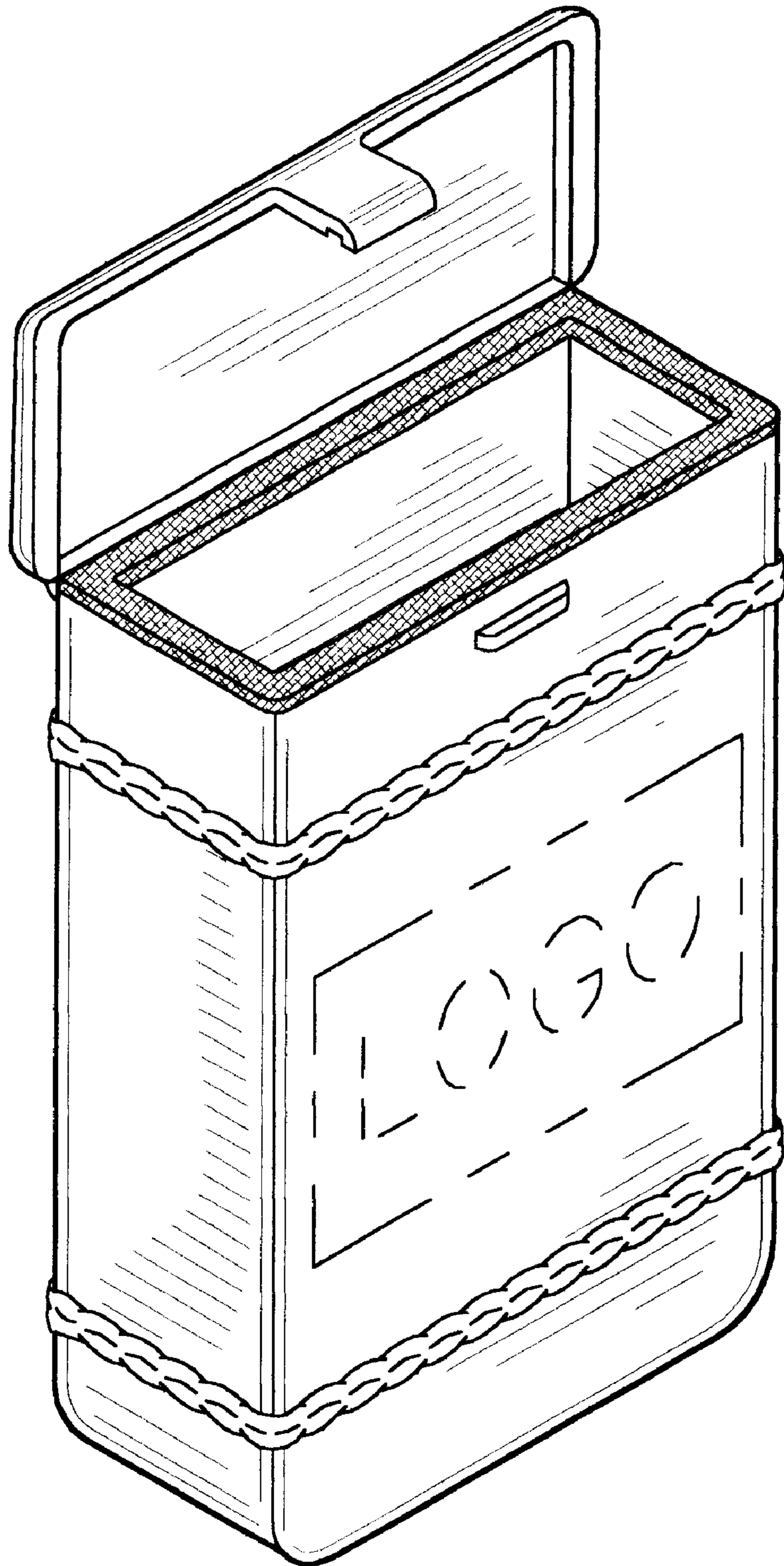


FIG. 6