



US00D472010S

(12) **United States Design Patent**  
**Kuelbs et al.**

(10) **Patent No.:** **US D472,010 S**  
(45) **Date of Patent:** **\*\* Mar. 18, 2003**

(54) **LATTICE PATTERN FOR LAMP OR HANGABLE ACCESSORY**

(75) Inventors: **Gregory G. Kuelbs**, Westlake, TX (US); **Zhongxing Zhou**, Ronggi (CN)

(73) Assignee: **World Factory, Inc.**, Southlake, TX (US)

(\*\*) Term: **14 Years**

(21) Appl. No.: **29/154,822**

(22) Filed: **Jan. 30, 2002**

(51) **LOC (7) Cl.** ..... **26-99**

(52) **U.S. Cl.** ..... **D26/113**

(58) **Field of Search** ..... D26/113, 118, D26/119, 67, 72, 85, 86, 89; 362/147, 360, 363, 367, 368, 404-408, 431

(56) **References Cited**

**U.S. PATENT DOCUMENTS**

D214,186 S \* 5/1969 Meltzer ..... D26/118  
D445,209 S 7/2001 Chen ..... D26/72

**OTHER PUBLICATIONS**

#1422-ST, Designer's Fountain, p. 132, Sep. 2001.\*

#2774-AG, Designer's Fountain, p. 134, Sep. 2001.\*

\* cited by examiner

*Primary Examiner*—Jennifer Rivaro

(74) *Attorney, Agent, or Firm*—James E. Walton; Hill & Hunn LLP

(57) **CLAIM**

The ornamental design for a lattice pattern for lamp or hangable accessory, as shown and described.

**DESCRIPTION**

FIG. 1 is a perspective view of the lattice pattern for lamp or hangable accessory, such as a garden accent or birdhouse, according to the present invention.

FIG. 2 is a front view of the lattice pattern for lamp or hangable accessory according to the present invention.

FIG. 3 is a left side view of the lattice pattern for lamp or hangable accessory according to the present invention.

FIG. 4 is a rear view of the lattice pattern for lamp or hangable accessory according to the present invention.

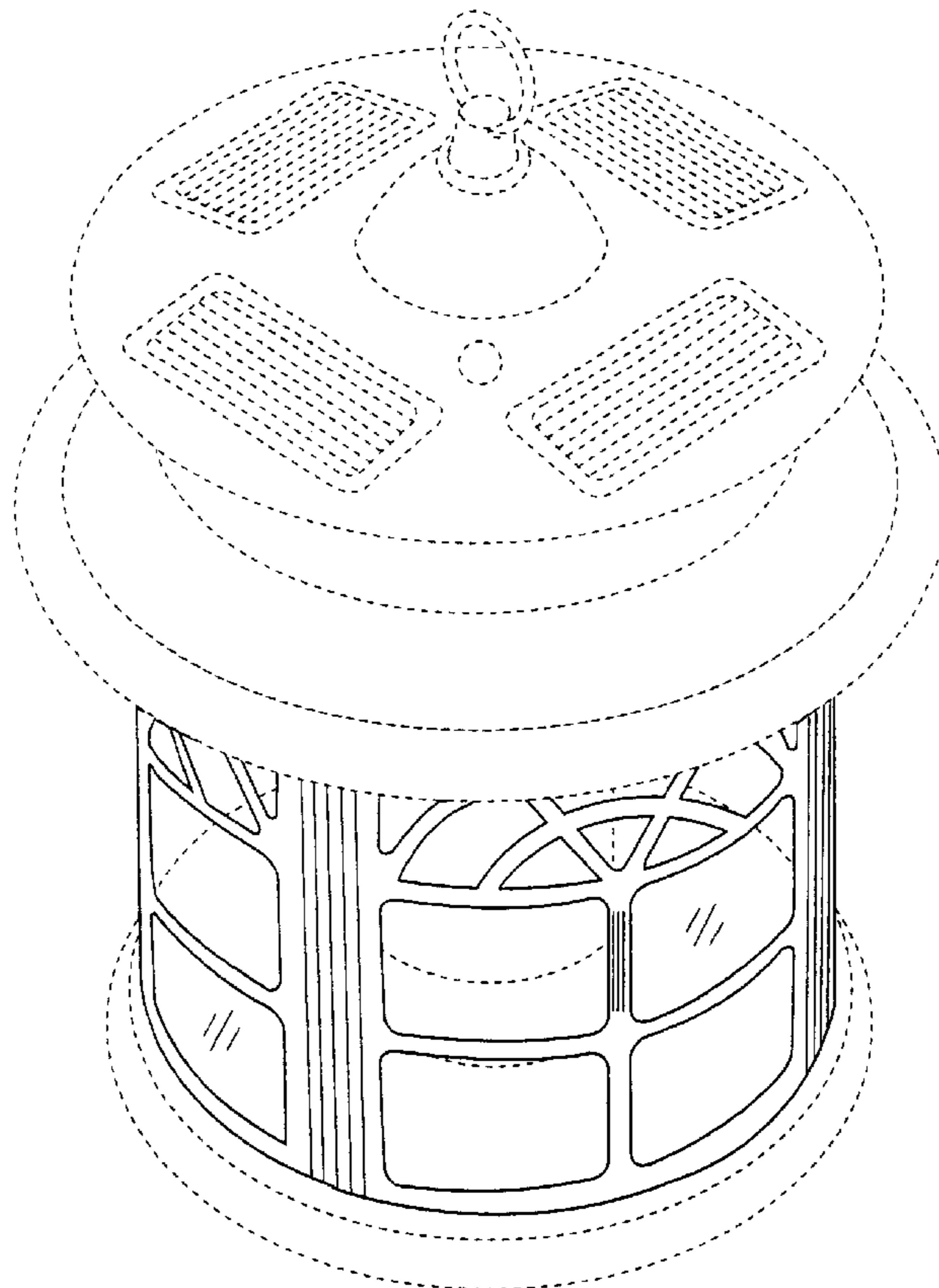
FIG. 5 is a right side view of the lattice pattern for lamp or hangable accessory according to the present invention.

FIG. 6 is a top view of the lattice pattern for lamp or hangable accessory according to the present invention; and,

FIG. 7 is a bottom view of the lattice pattern for lamp or hangable accessory according to the present invention.

The broken line environmental showing is for illustrative purposes only and forms no part of the claimed design.

**1 Claim, 6 Drawing Sheets**



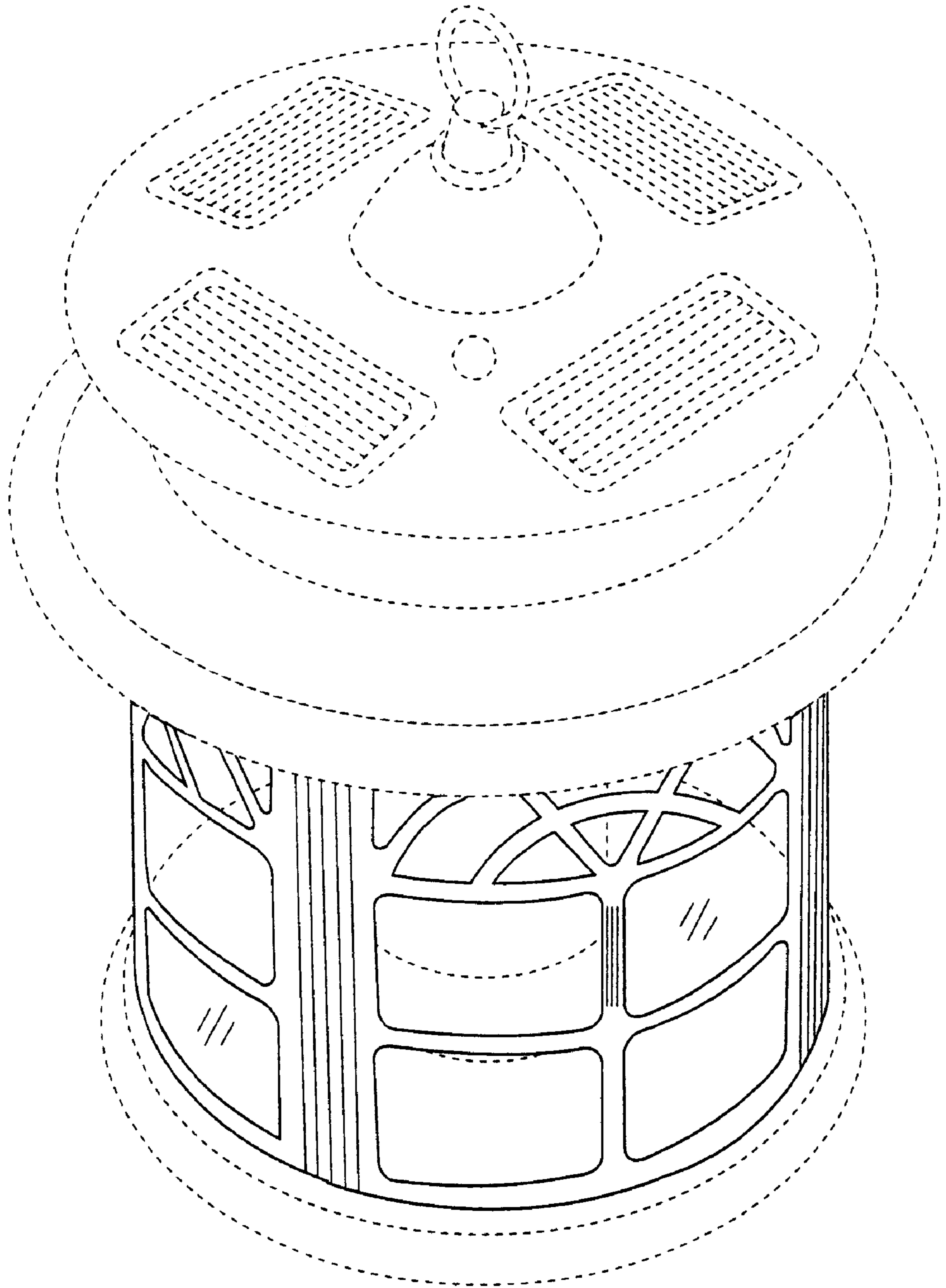


Figure 1

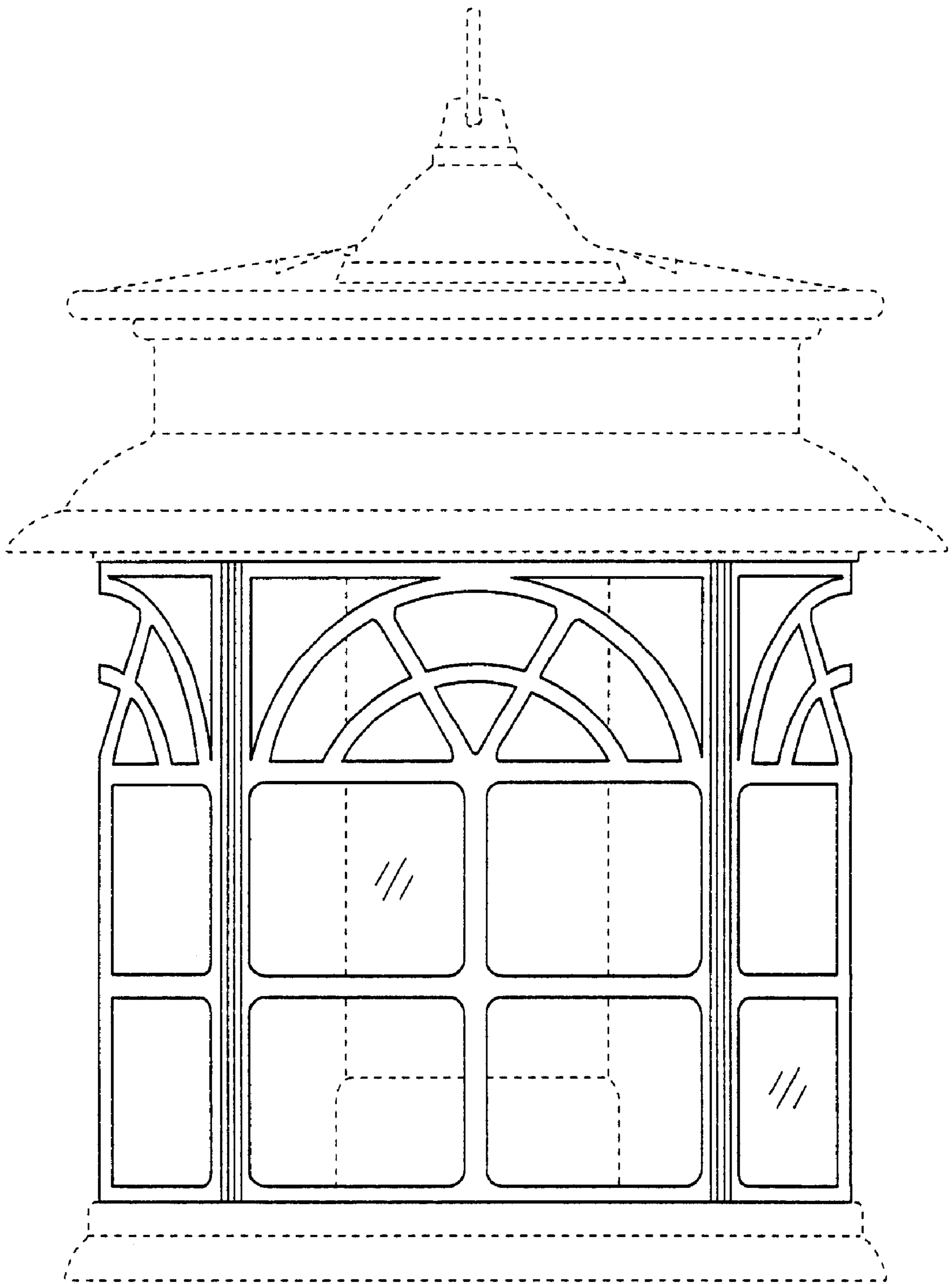


Figure 2

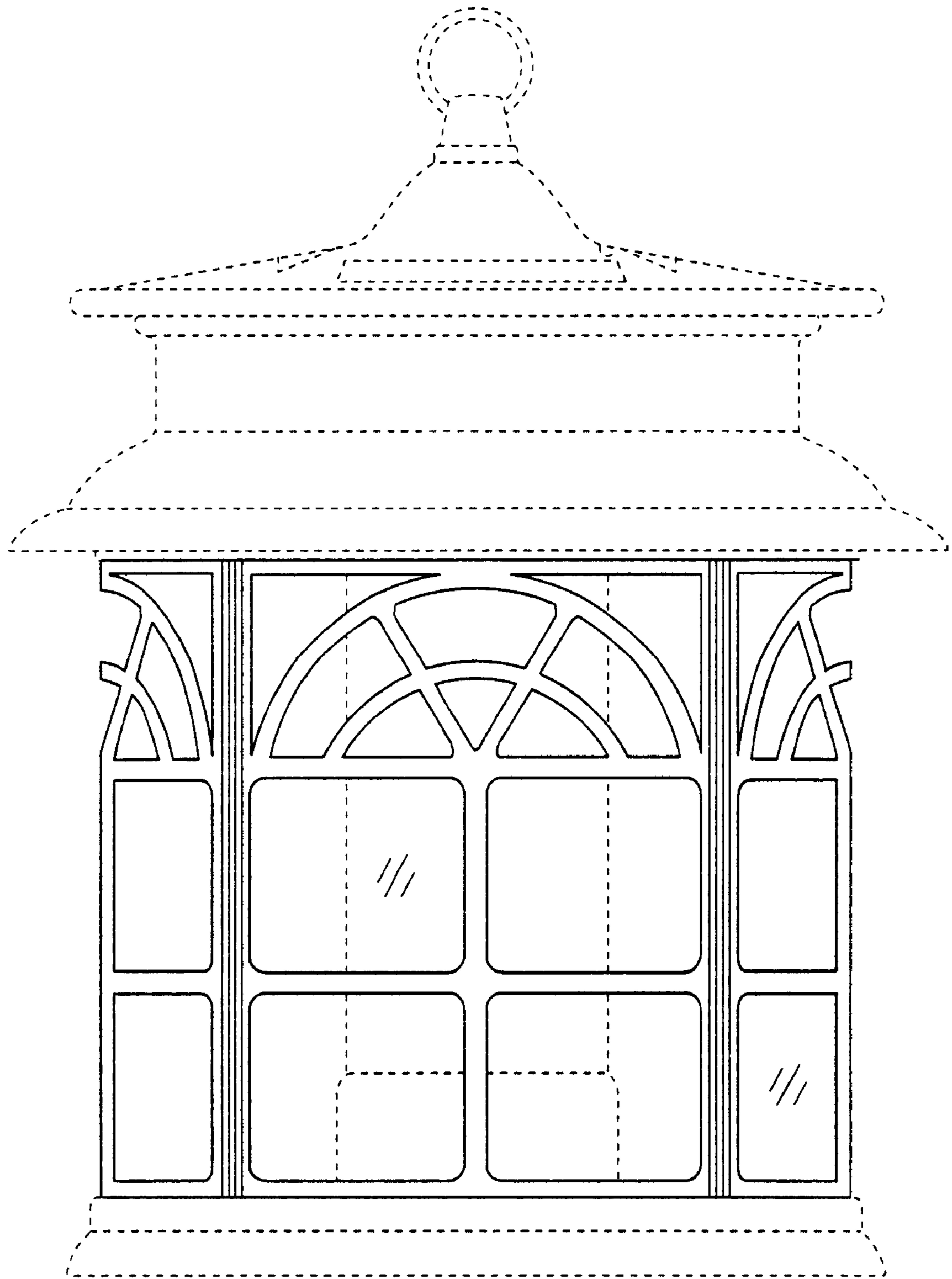


Figure 3

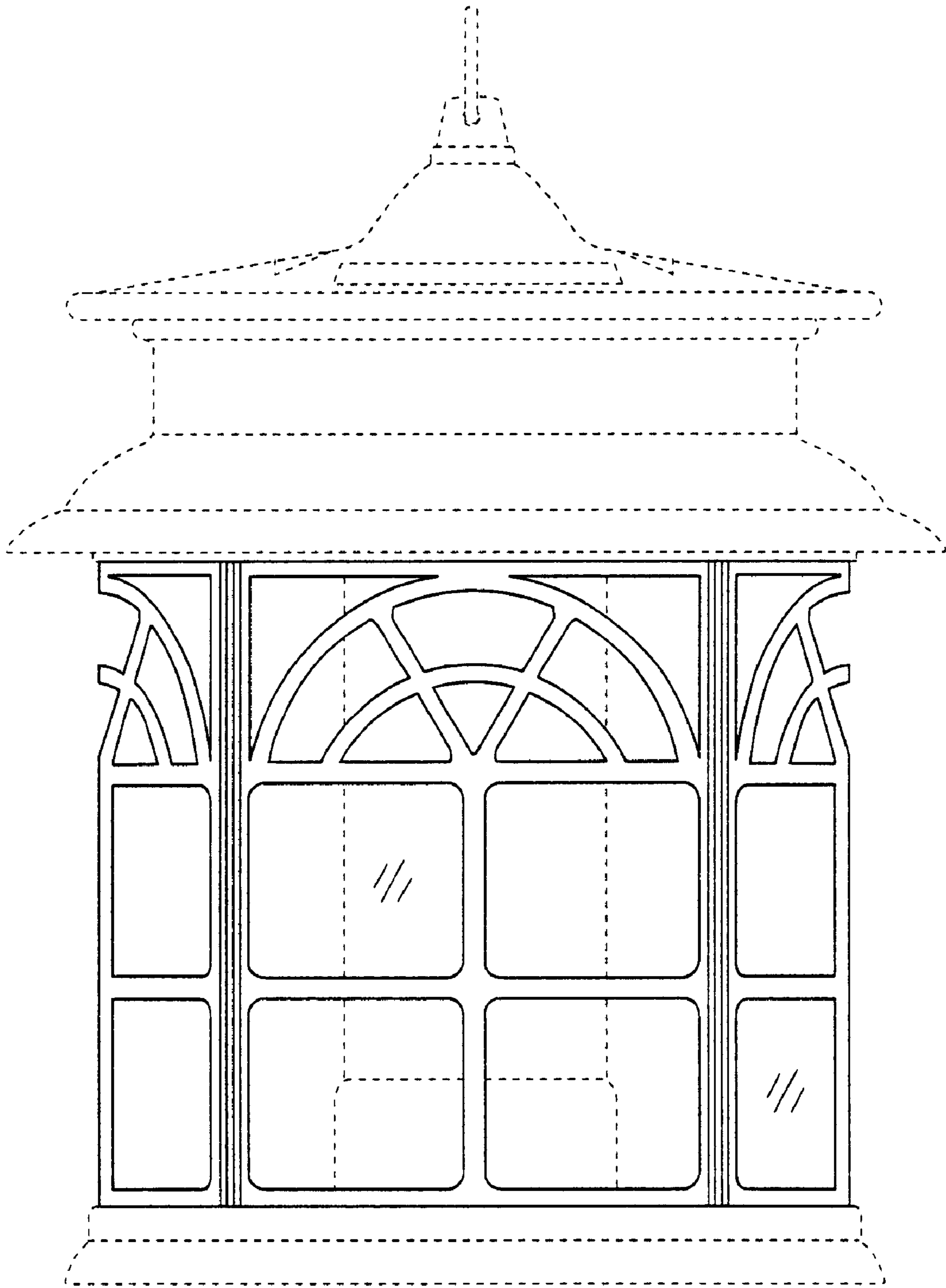


Figure 4

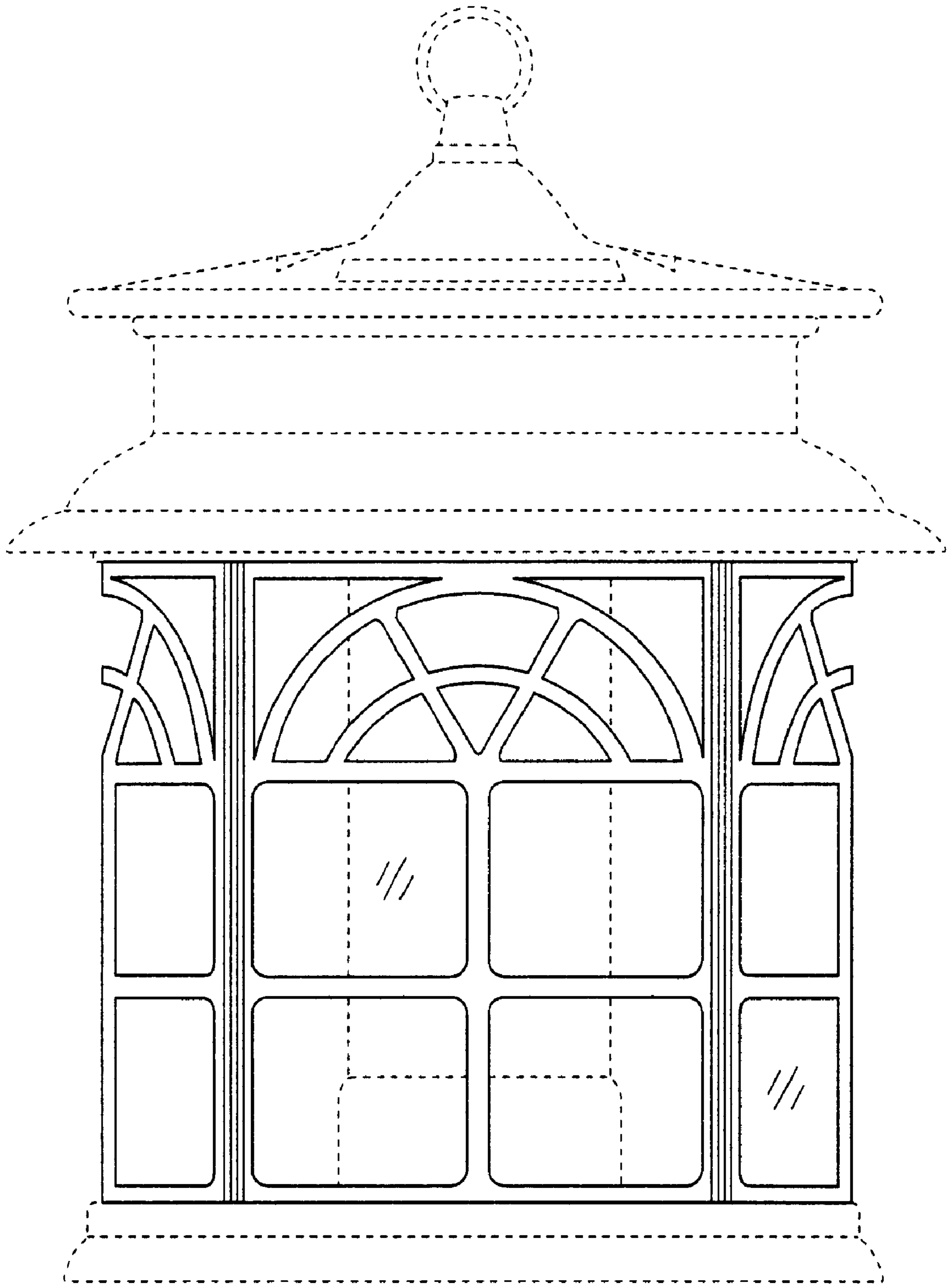


Figure 5

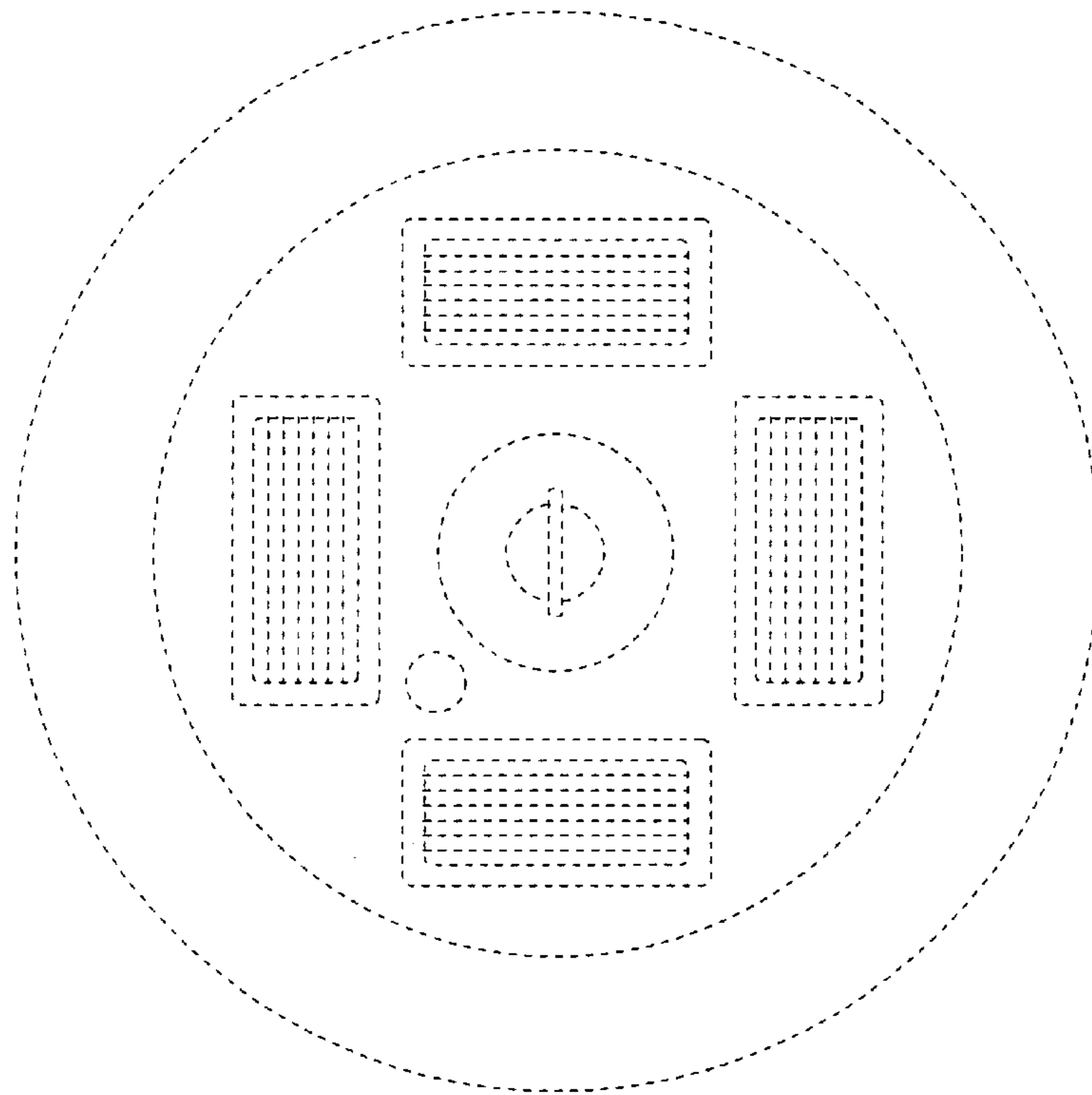


Figure 6

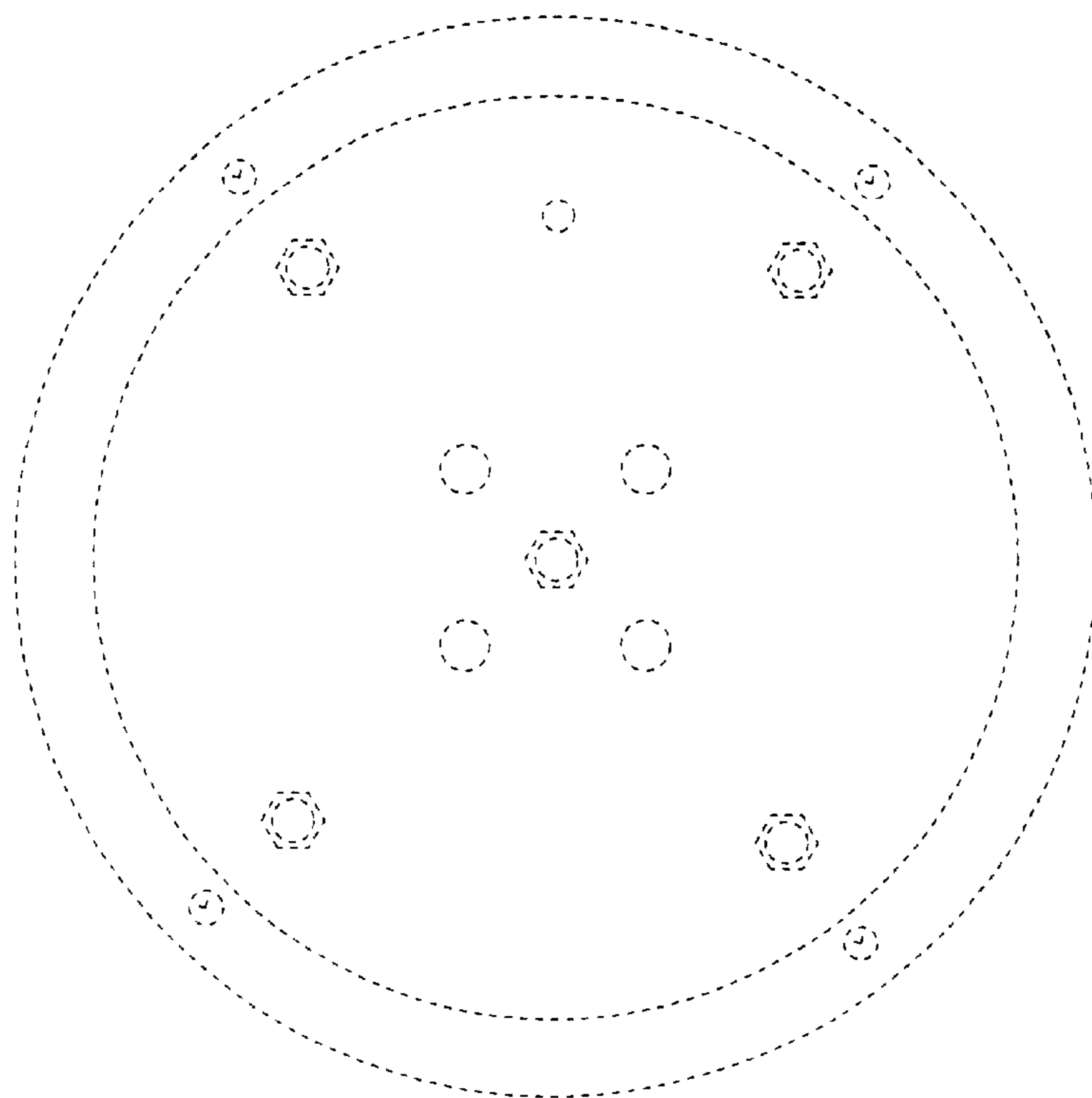


Figure 7