



US00D472008S

(12) **United States Design Patent**  
**Gulassa et al.**

(10) **Patent No.:** **US D472,008 S**

(45) **Date of Patent:** **\*\* Mar. 18, 2003**

(54) **CHANDELIER**

(75) Inventors: **David Paul Gulassa**, deceased, late of Seattle, WA (US), by Elizabeth Barrett Shay Sheppard, executor; **Paolo Croatto**, Seattle, WA (US)

(73) Assignee: **Gulassa & Company**, Seattle, WA (US)

(\*\*) Term: **14 Years**

(21) Appl. No.: **29/151,611**

(22) Filed: **Nov. 7, 2001**

(51) **LOC (7) Cl.** ..... **26-03**

(52) **U.S. Cl.** ..... **D26/90**

(58) **Field of Search** ..... D26/72, 80, 83-92,  
D26/67-71; 362/404-408, 147, 310, 326,  
341, 346-353, 362, 363

(56) **References Cited**

**U.S. PATENT DOCUMENTS**

D129,362 S \* 9/1941 Pieper ..... D26/88

D235,914 S \* 7/1975 Schacht ..... D26/84  
D267,120 S \* 11/1982 Asbury ..... D26/58  
D399,020 S \* 9/1998 Lo ..... D26/90

**OTHER PUBLICATIONS**

Illuminotecnica—Nov./Dec. 1997, p. 79; large pendant lamp in center of page.\*

\* cited by examiner

*Primary Examiner*—Alan P. Douglas

*Assistant Examiner*—Clare E. Heflin

(74) *Attorney, Agent, or Firm*—Christensen O'Connor Johnson Kindness pllc

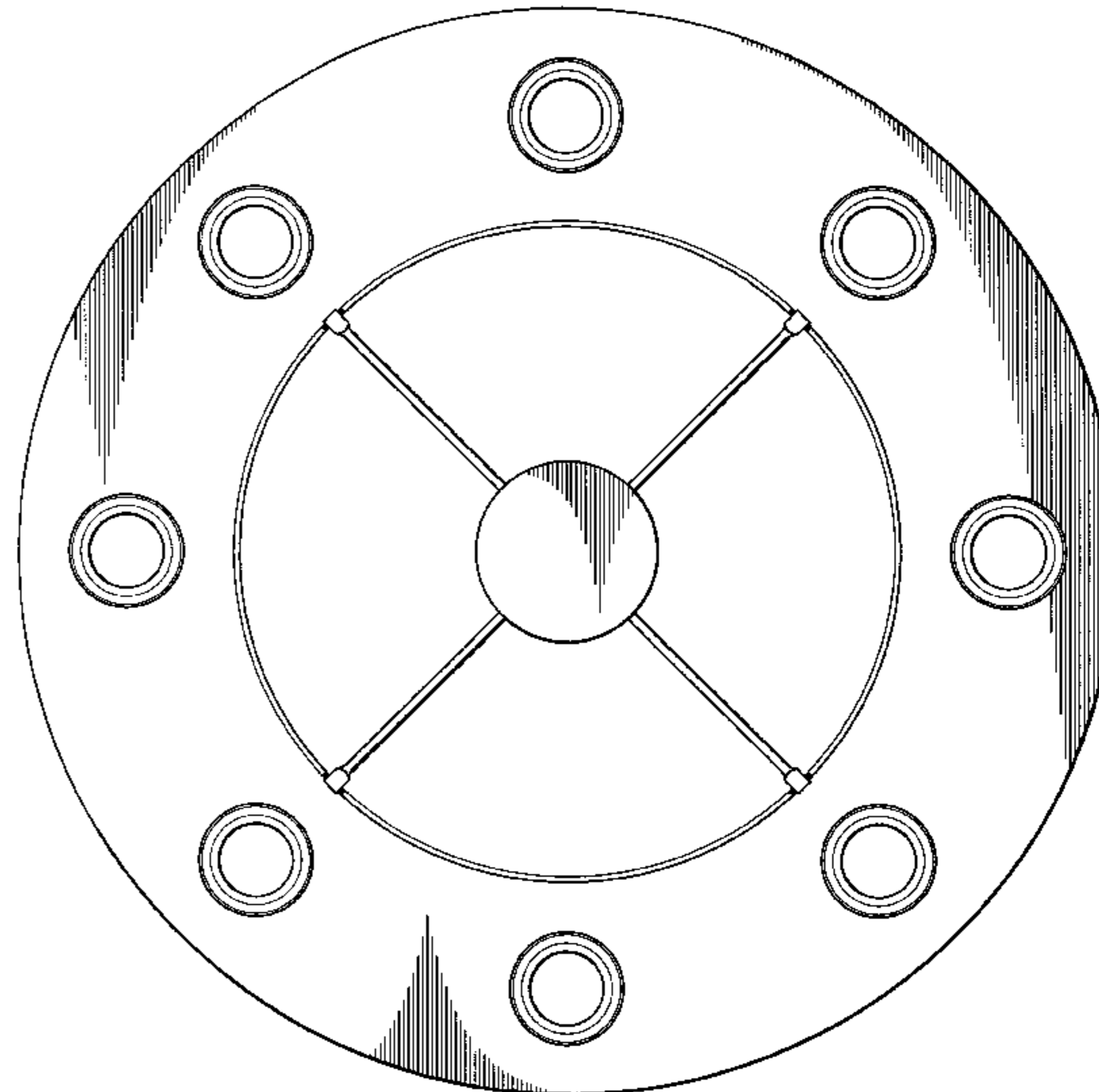
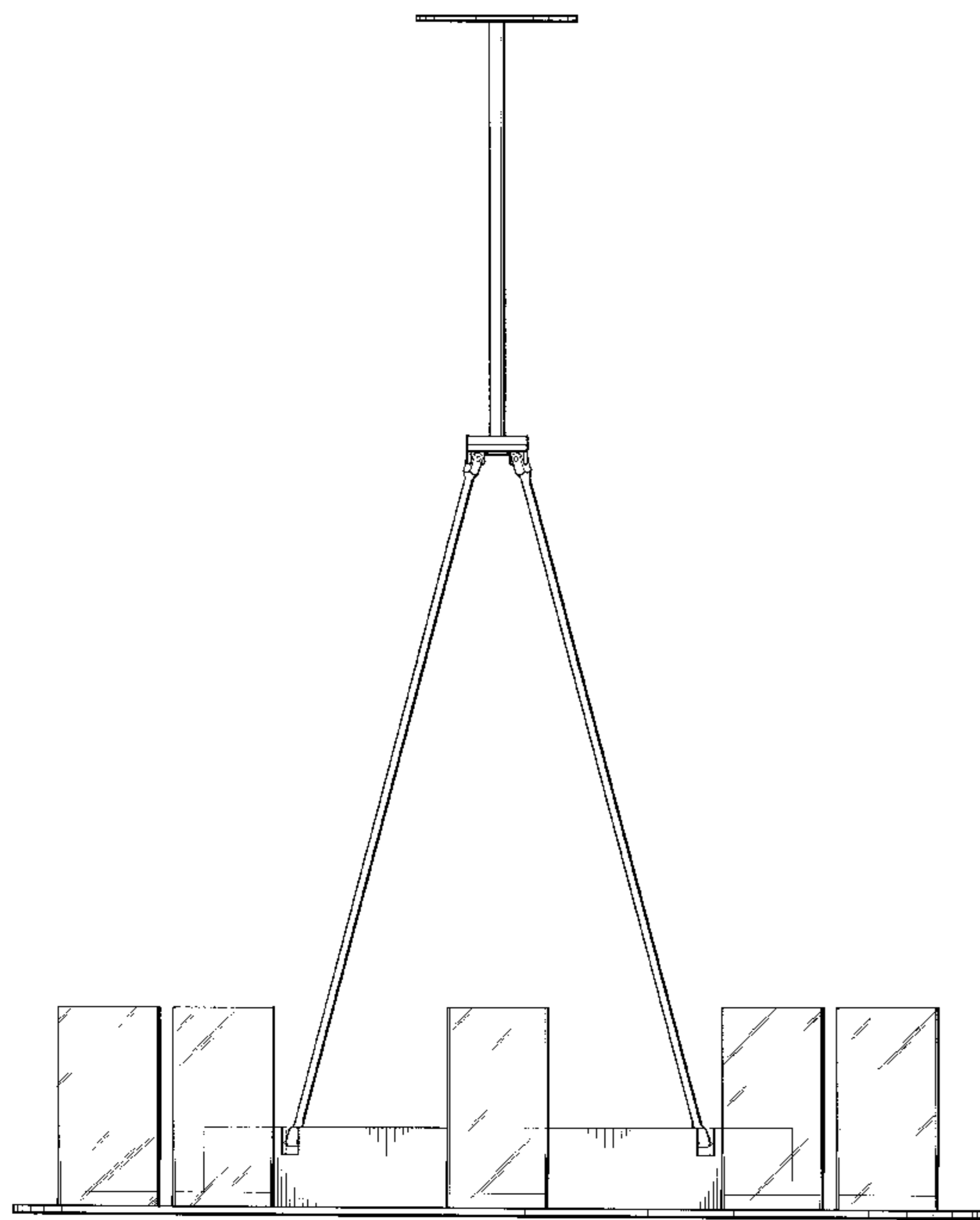
(57) **CLAIM**

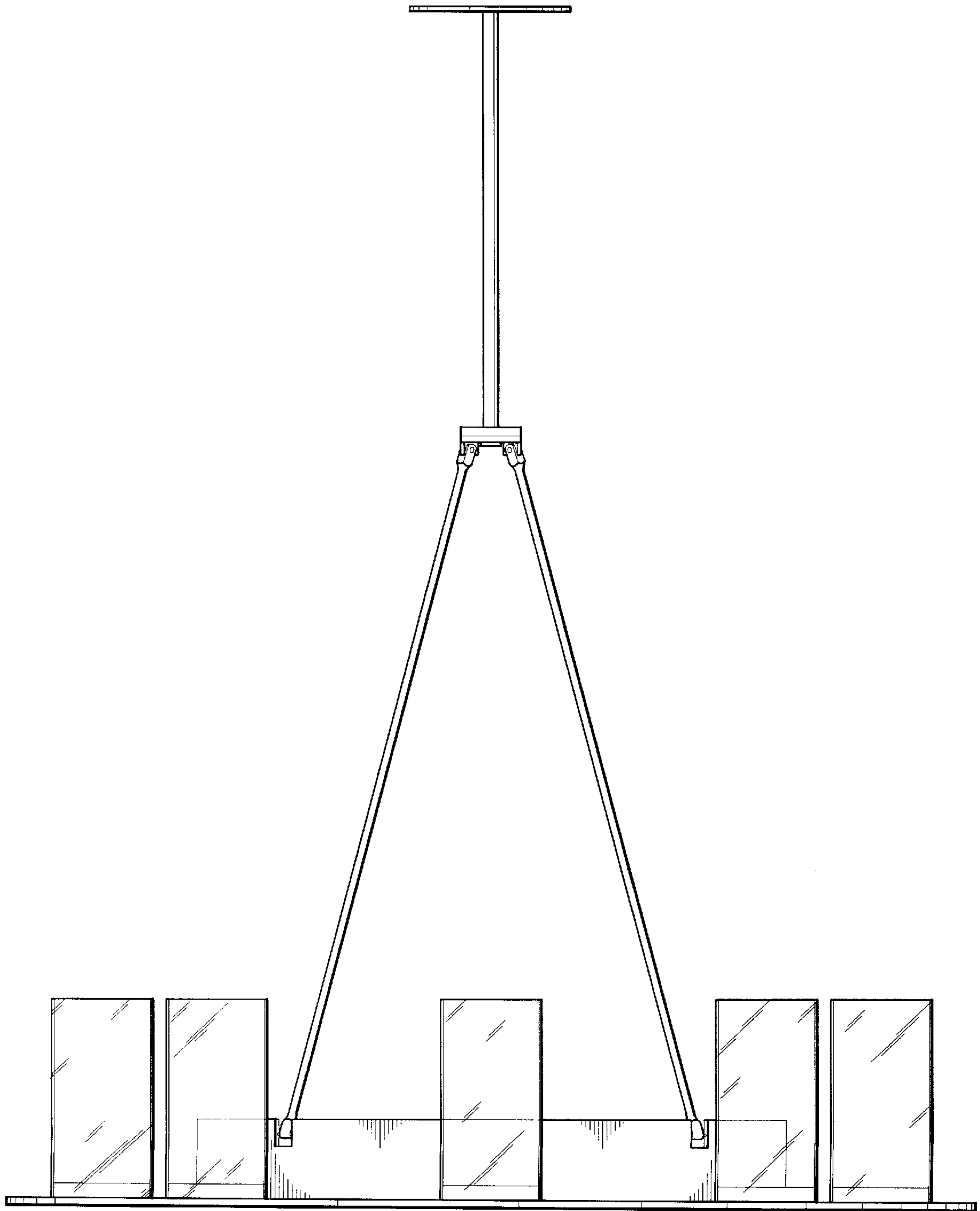
The ornamental design for a chandelier, as shown and described.

**DESCRIPTION**

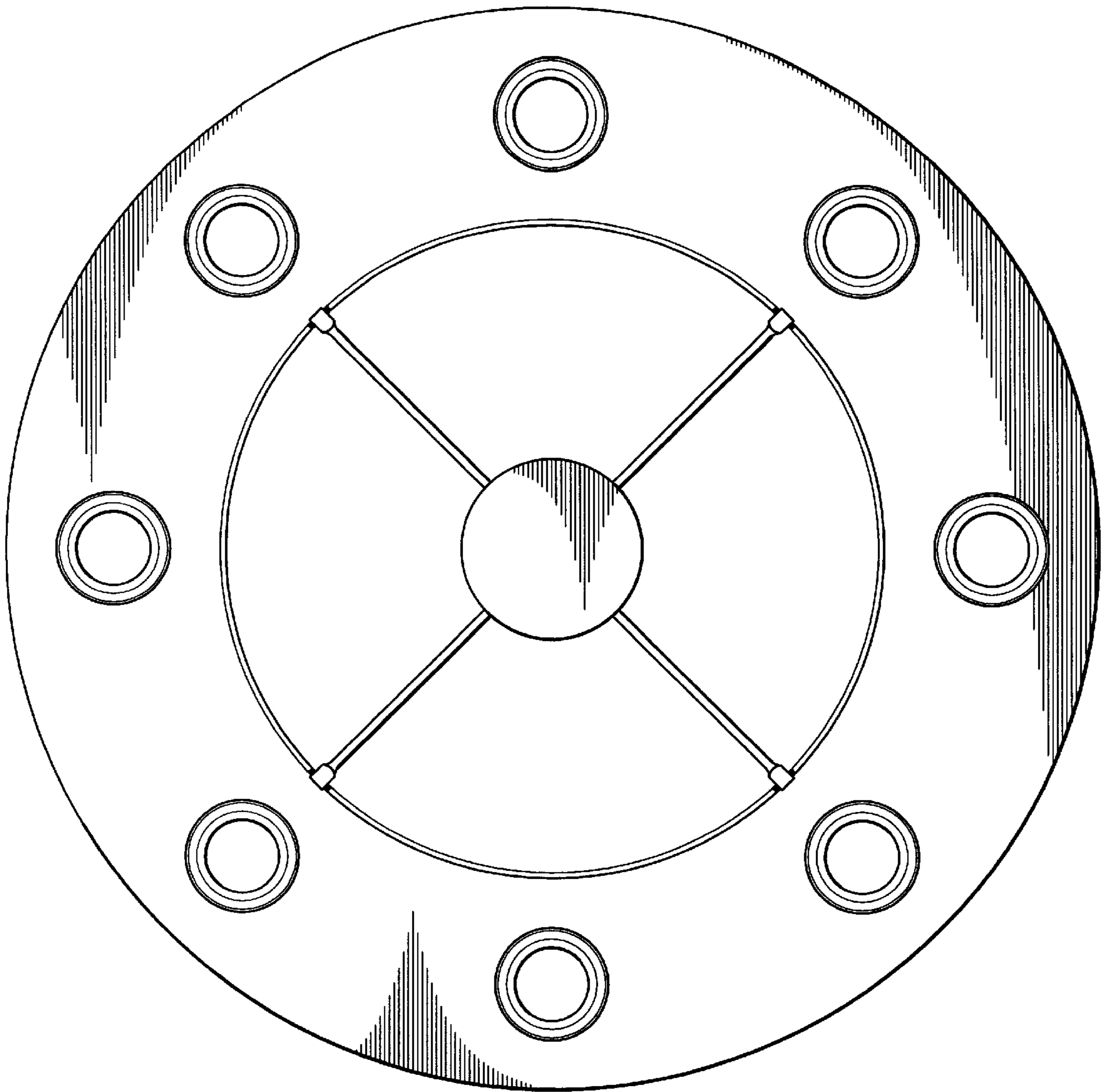
FIG. 1 is a side elevational view of the design;  
FIG. 2 is a top view of the design; and,  
FIG. 3 is a bottom view of the design.

**1 Claim, 3 Drawing Sheets**

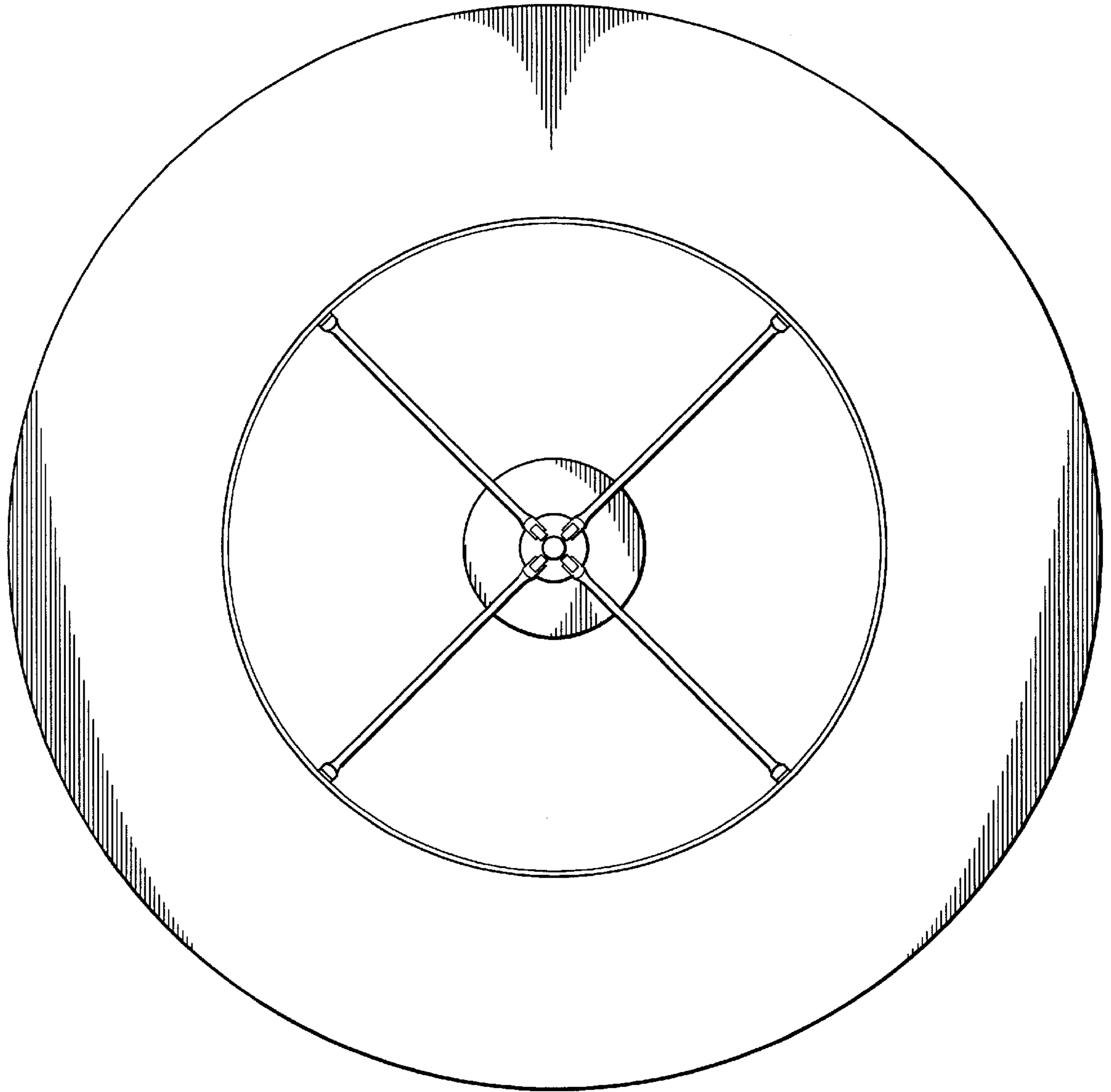




*Fig. 1.*



*Fig.2.*



*Fig. 3.*