



US00D472007S

(12) **United States Design Patent**
Weitgasser

(10) **Patent No.:** **US D472,007 S**

(45) **Date of Patent:** **** Mar. 18, 2003**

(54) **WALL LIGHT**

(75) Inventor: **Erwin Weitgasser**, Salzburg (AT)

(73) Assignee: **Derungs Licht AG**, Gossau (CH)

(**) Term: **14 Years**

(21) Appl. No.: **29/160,317**

(22) Filed: **May 9, 2002**

(51) **LOC (7) Cl.** **26-03**

(52) **U.S. Cl.** **D26/76**

(58) **Field of Search** D26/72, 75-79;
362/217-225

(56) **References Cited**

U.S. PATENT DOCUMENTS

- D125,468 S * 2/1941 Dreyfuss D26/75
- D139,670 S * 12/1944 Lippincott D26/76

- 2,715,449 A * 8/1955 Lemmerman et al. 362/217
- D414,580 S * 9/1999 Herst D26/76

* cited by examiner

Primary Examiner—Alan P. Douglas

Assistant Examiner—Clare E. Heflin

(74) *Attorney, Agent, or Firm*—Shoemaker and Mattare

(57) **CLAIM**

The ornamental design for a wall light, as shown and described.

DESCRIPTION

FIG. 1 is a perspective view of a light, viewed from the front, left side and bottom, showing my new design;
 FIG. 2 is a rear elevation thereof;
 FIG. 3 is a top plan view thereof;
 FIG. 4 is a front elevation thereof;
 FIG. 5 is a bottom plan view thereof; and,
 FIG. 6 is a right side elevation thereof, the left side elevation being a mirror image.

1 Claim, 2 Drawing Sheets

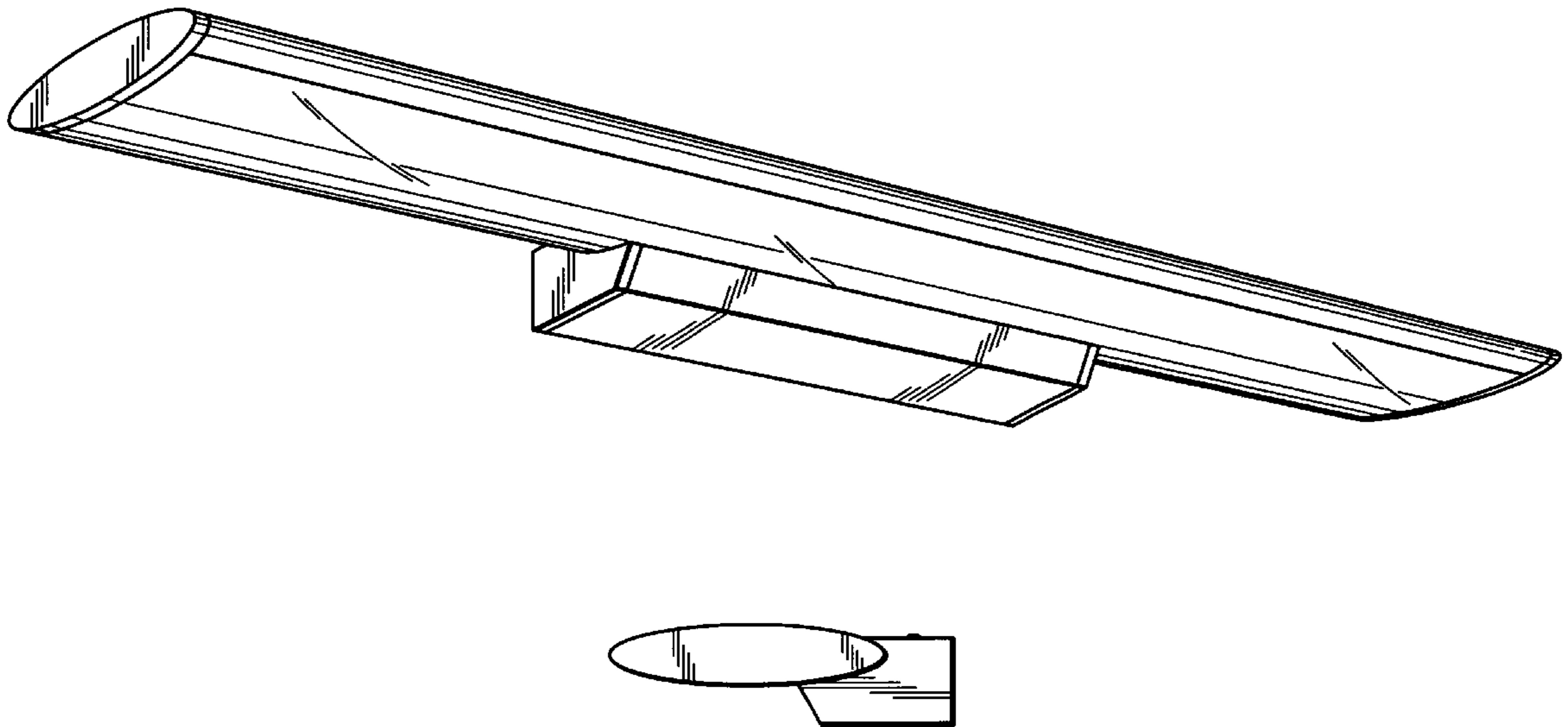


FIG. 1

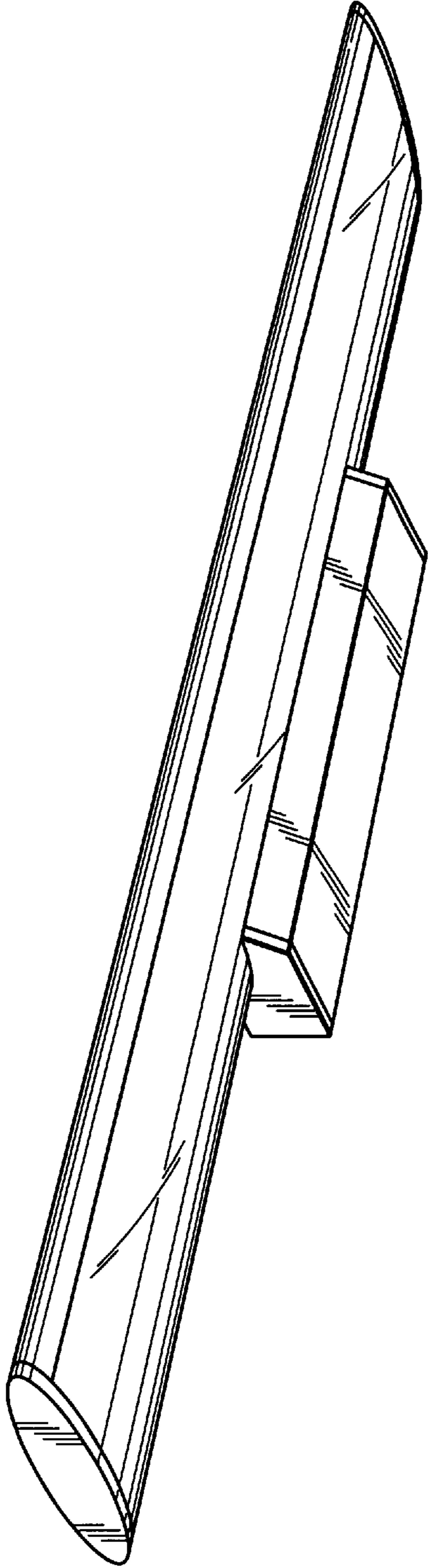
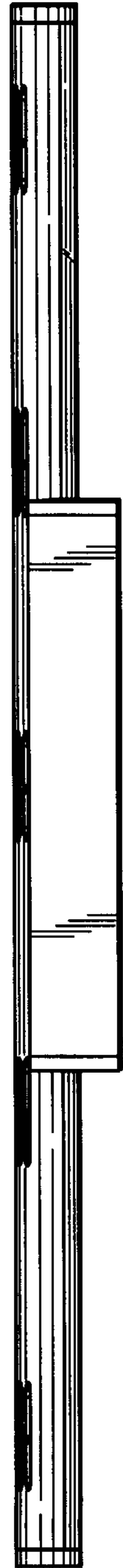


FIG. 2



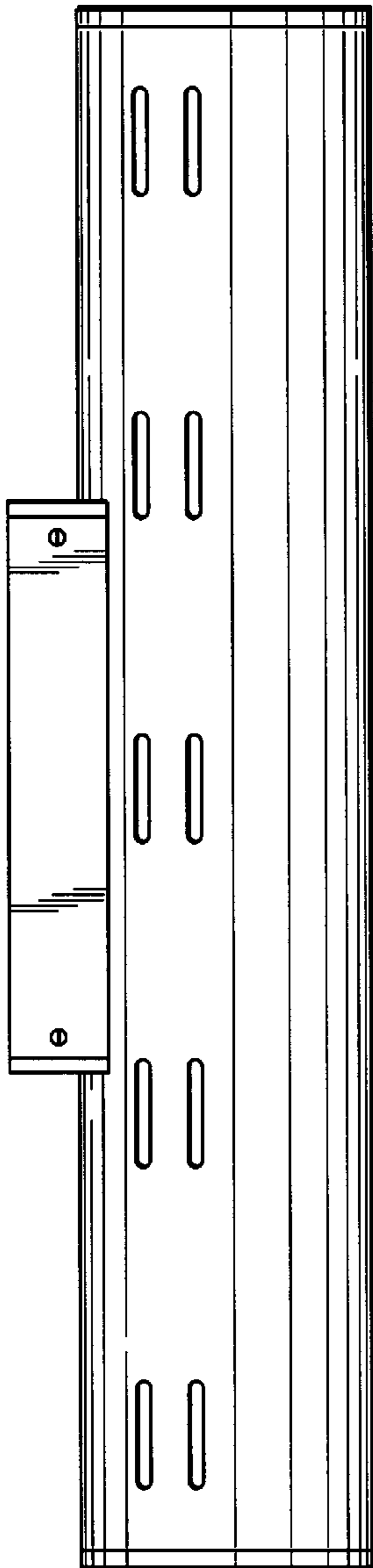


FIG. 3

FIG. 4

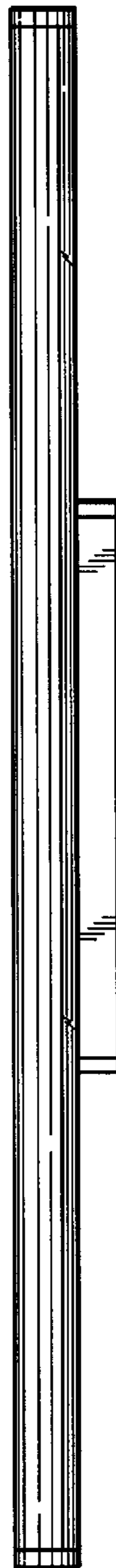


FIG. 6

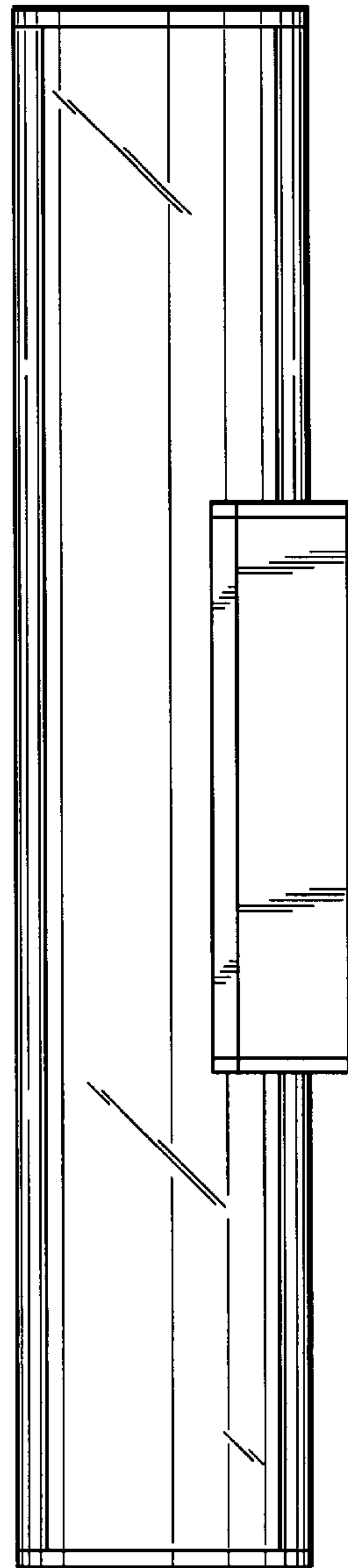


FIG. 5