



US00D472006S

(12) **United States Design Patent**
Fritz

(10) **Patent No.:** **US D472,006 S**

(45) **Date of Patent:** **** Mar. 18, 2003**

(54) **FLASHLIGHT**

(75) **Inventor:** **John M. Fritz**, Verona, WI (US)

(73) **Assignee:** **Rayovac Corporation**, Madison, WI (US)

(**) **Term:** **14 Years**

(21) **Appl. No.:** **29/146,280**

(22) **Filed:** **Aug. 7, 2001**

(51) **LOC (7) Cl.** **26-02**

(52) **U.S. Cl.** **D26/49**

(58) **Field of Search** D26/37-50; 362/157, 362/158, 171, 172, 173, 181-208

(56) **References Cited**

U.S. PATENT DOCUMENTS

1,669,313 A	5/1928	Voorhees
4,703,402 A	10/1987	Hsieh
4,821,156 A	4/1989	Siefert
D322,138 S	12/1991	Davies
D325,100 S	3/1992	Usami
D336,966 S	6/1993	Yau
5,865,525 A	2/1999	Kibler
D407,514 S	3/1999	Yuen

D411,023 S	*	6/1999	Yau	D26/49
D423,129 S	*	4/2000	Nakagawa	D26/49
D431,085 S	*	9/2000	Poon	D26/49
D433,171 S		10/2000	Petterson		
6,174,071 B1		1/2001	Chan		
D445,522 S	*	7/2001	Chiu	D26/49

* cited by examiner

Primary Examiner—Marcus A. Jackson

(74) *Attorney, Agent, or Firm*—Quarles & Brady LLP

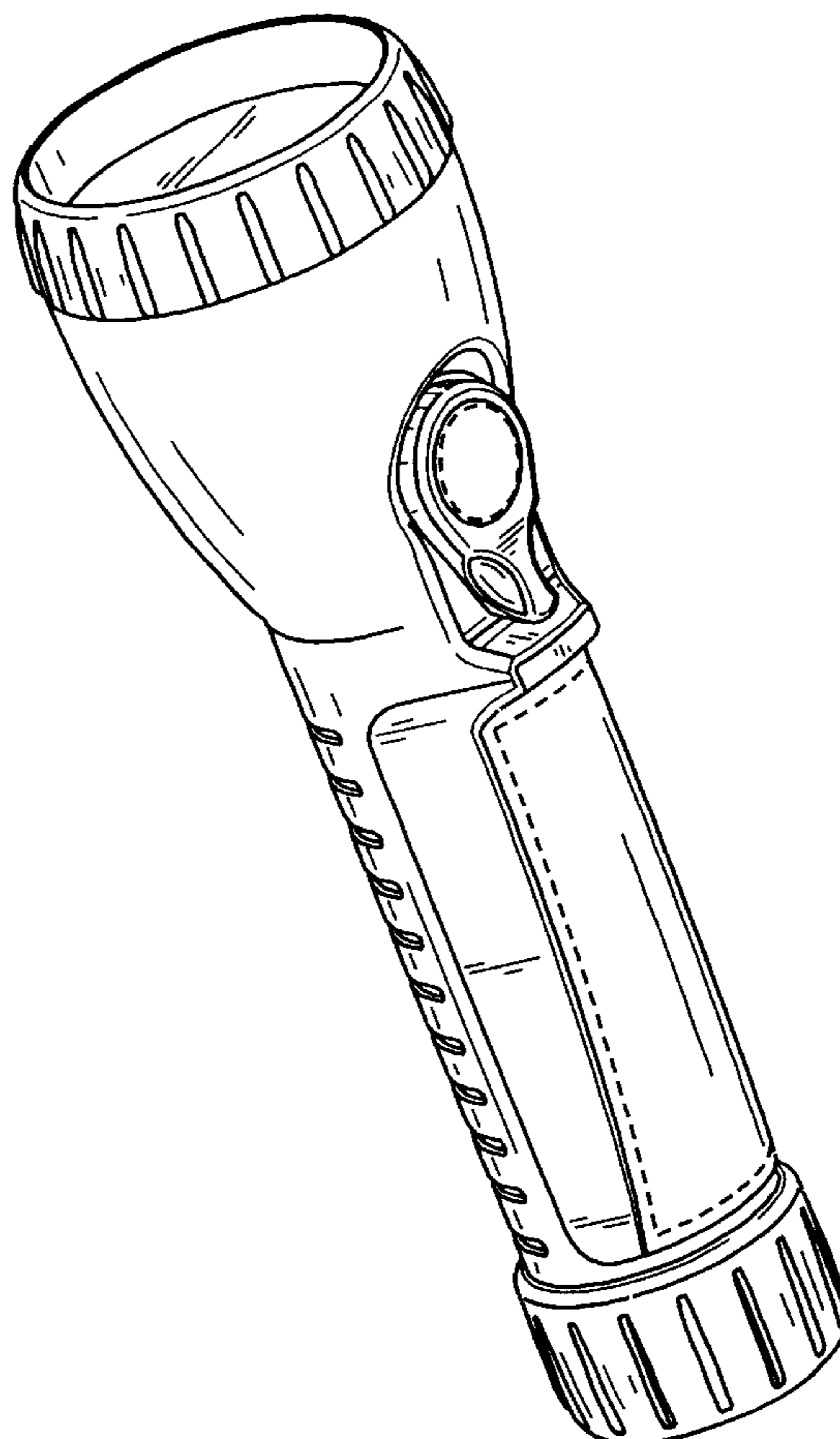
(57) **CLAIM**

The ornamental design for a flashlight, as shown and described.

DESCRIPTION

FIG. 1 is a top, front and left side perspective view of my new flashlight;
 FIG. 2 is a top plan view of the flashlight shown in FIG. 1;
 FIG. 3 is a left side view of the flashlight shown in FIG. 1, the right side being a mirror image;
 FIG. 4 is a bottom plan view of the flashlight shown in FIG. 1;
 FIG. 5 is a front view of the flashlight shown in FIG. 1; and,
 FIG. 6 is a rear view of the flashlight shown in FIG. 1.

1 Claim, 3 Drawing Sheets



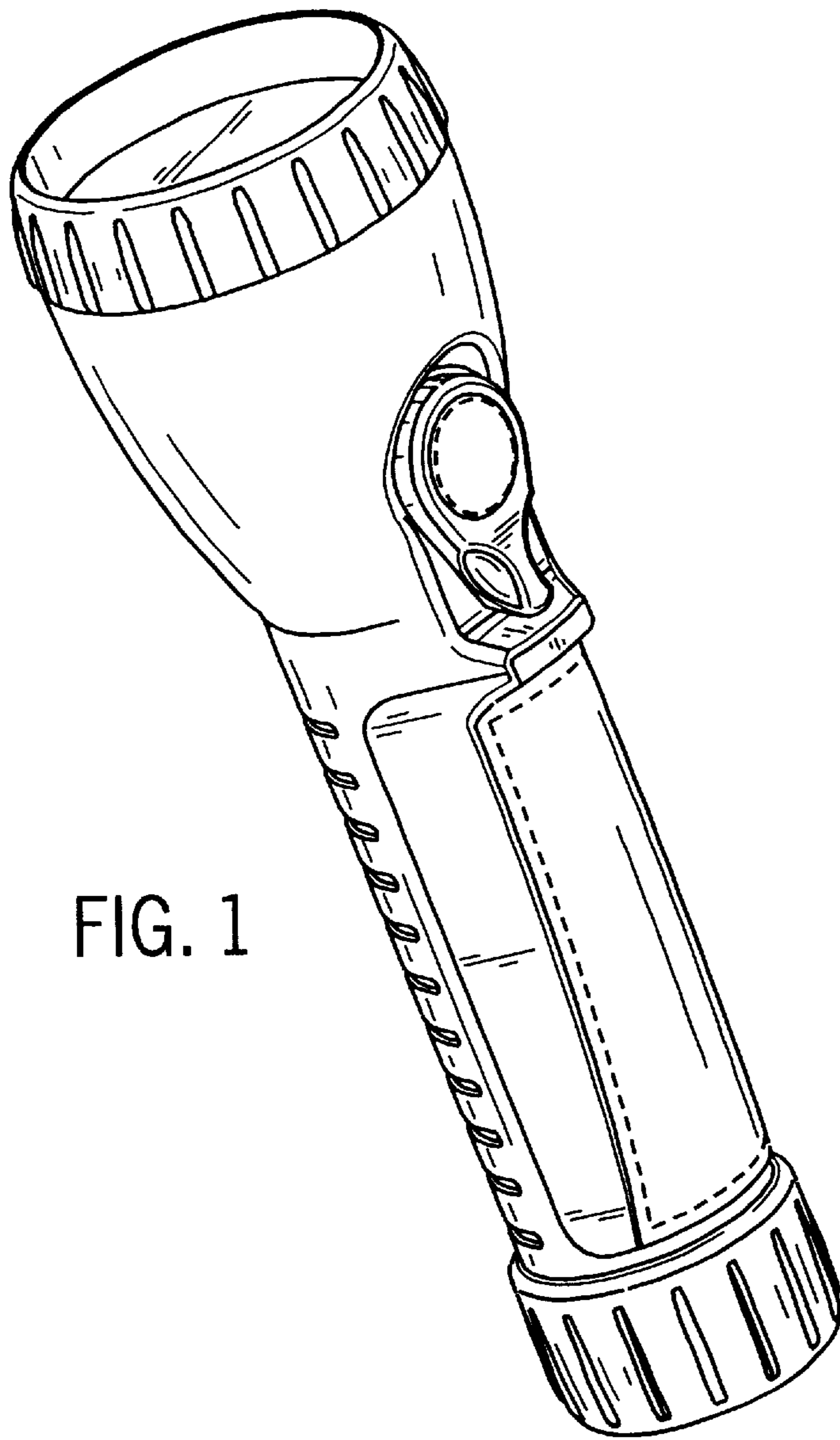


FIG. 1

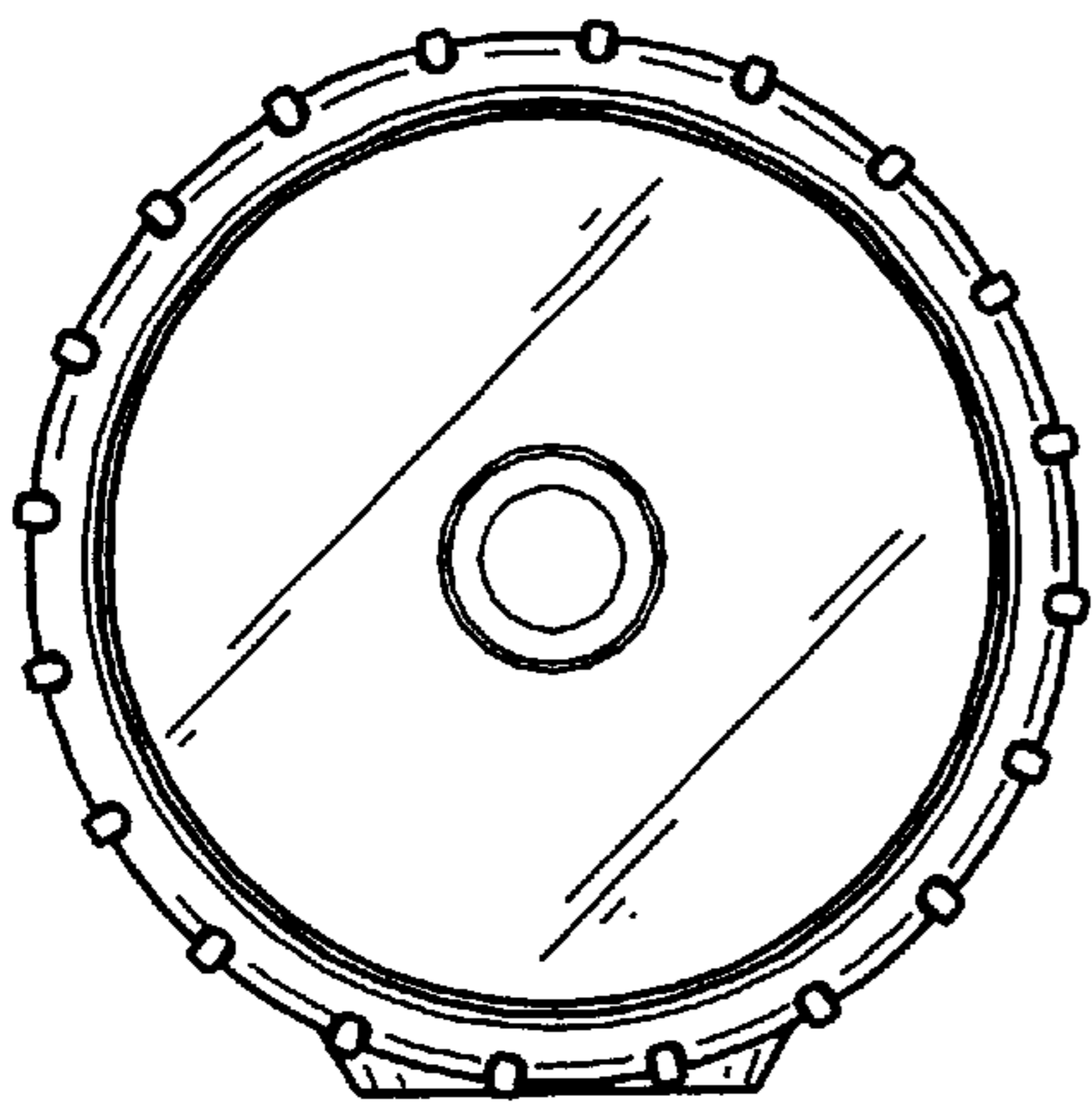


FIG. 5

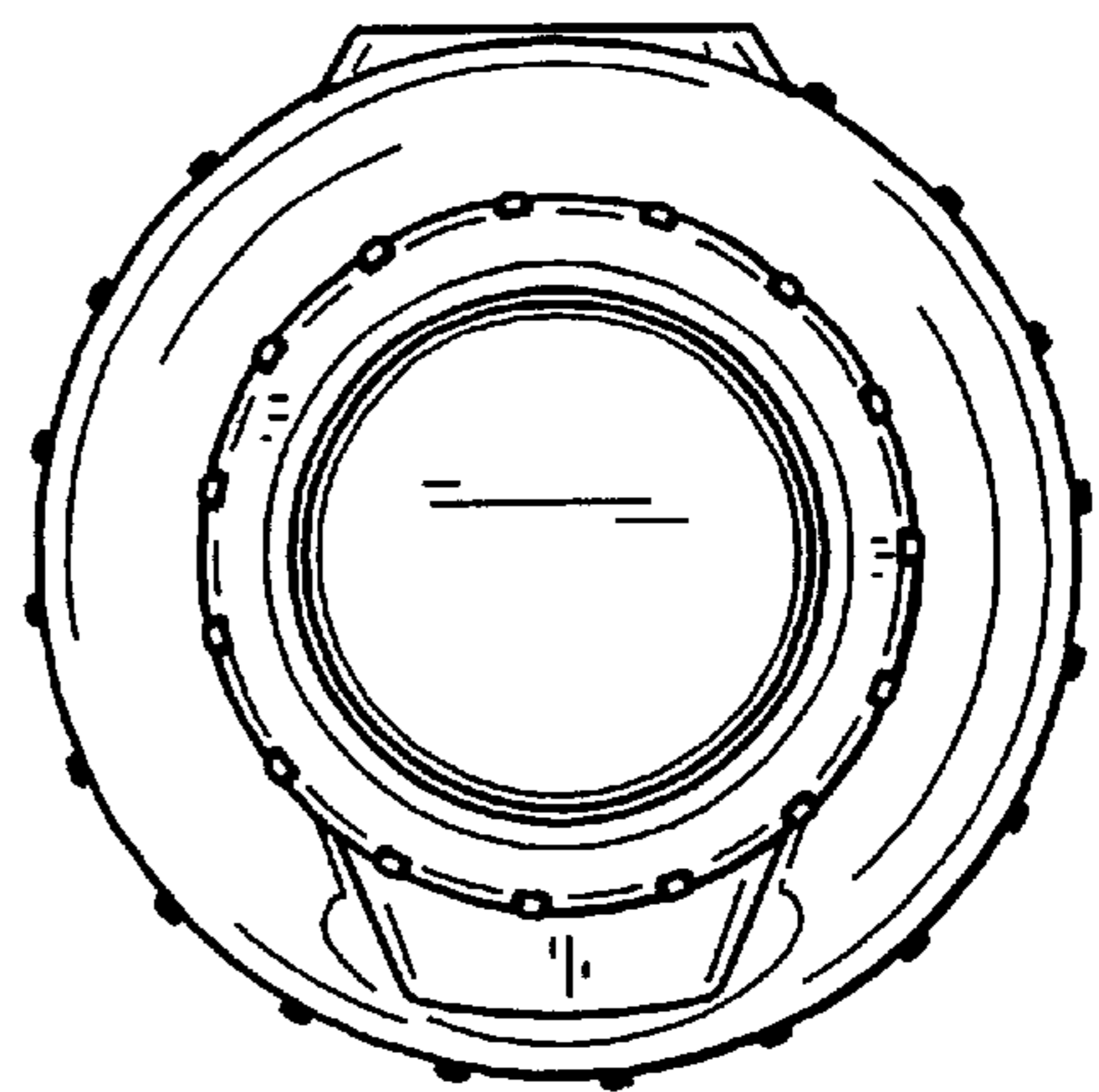


FIG. 6

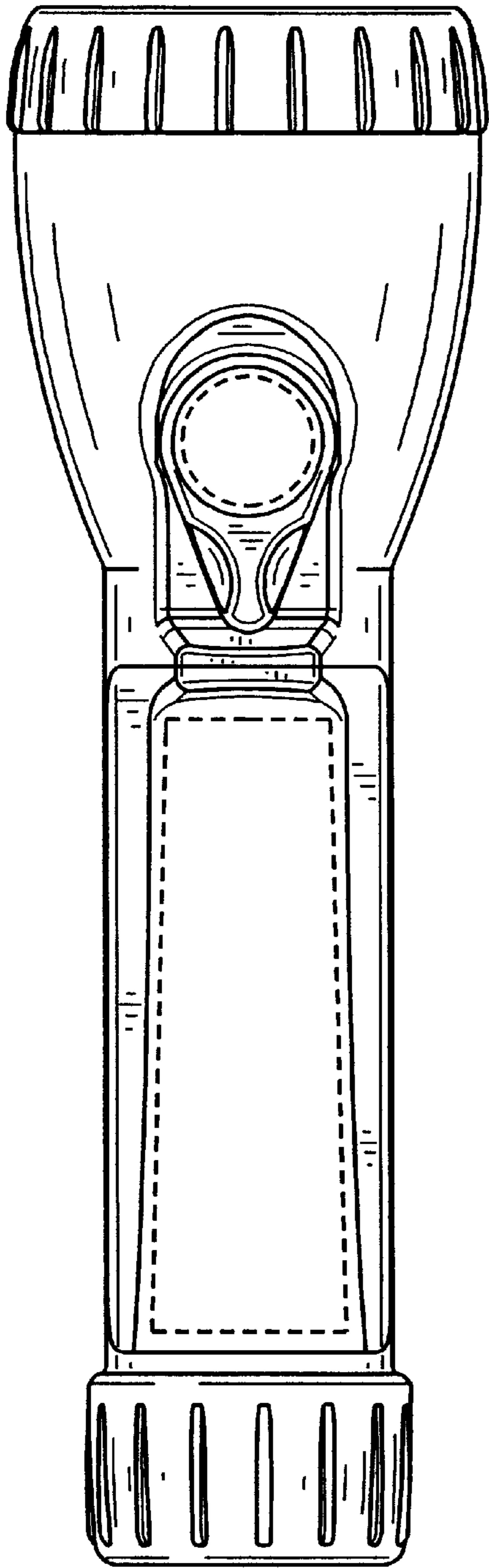


FIG. 2

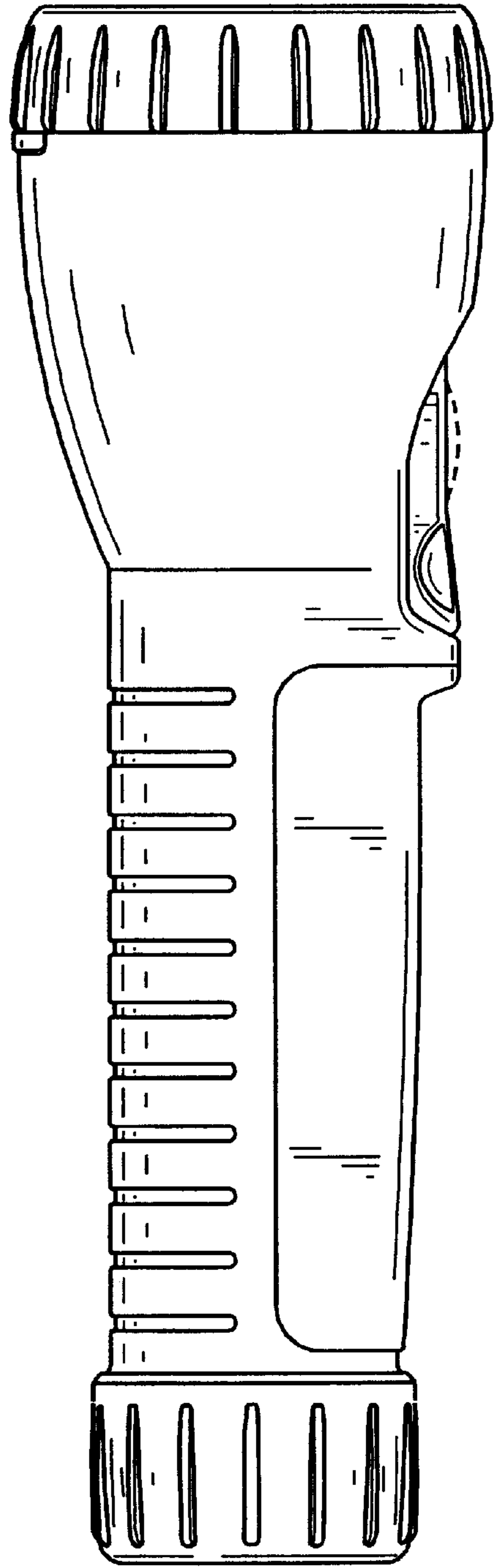


FIG. 3

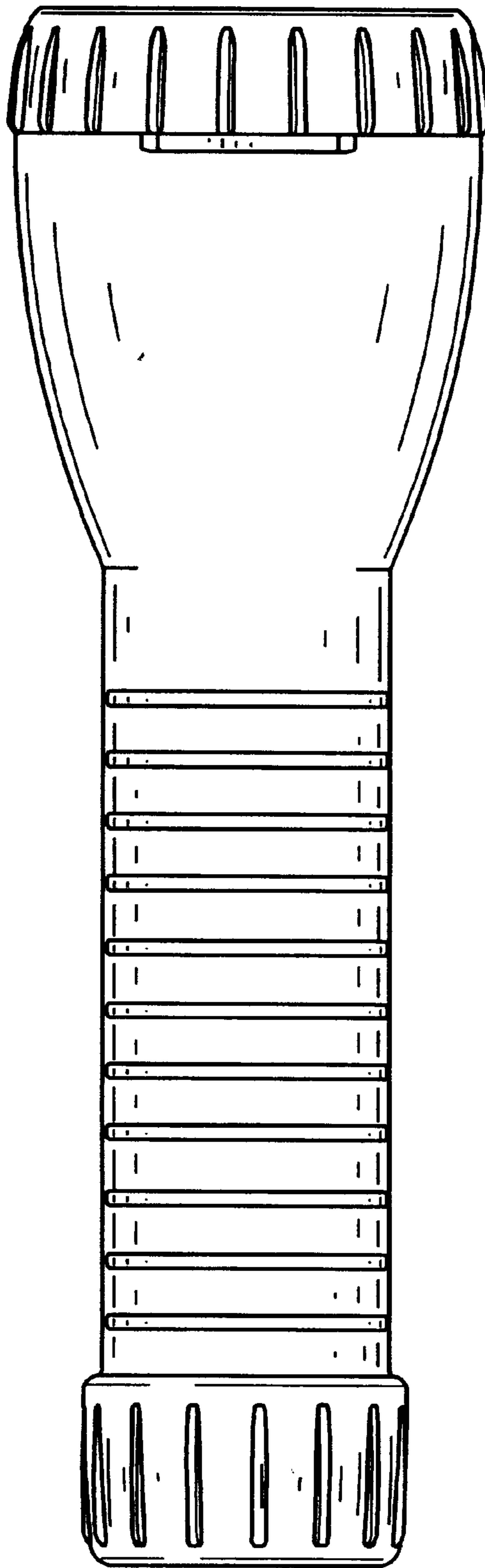


FIG. 4