



US00D472005S

(12) **United States Design Patent**
Poon

(10) **Patent No.:** **US D472,005 S**

(45) **Date of Patent:** **** Mar. 18, 2003**

(54) **PORTABLE RECHARGEABLE BATTERY
PACK WITH SPOTLIGHT**

(75) Inventor: **Tit Wing Poon**, Shatin (CN)

(73) Assignee: **Flying Dragon Development Ltd.**,
Shatin (CN)

(**) Term: **14 Years**

(21) Appl. No.: **29/151,331**

(22) Filed: **Dec. 3, 2001**

(30) **Foreign Application Priority Data**

Jun. 4, 2001 (HK) 0110846

(51) **LOC (7) Cl.** **26-02**

(52) **U.S. Cl.** **D26/38**

(58) **Field of Search** D26/37-50; 362/157,
362/158, 171, 172, 173, 181-208, 86, 87

(56) **References Cited**

U.S. PATENT DOCUMENTS

D425,063 S * 5/2000 Takatsuka D26/38
D426,659 S * 6/2000 Lee D26/38

* cited by examiner

Primary Examiner—Marcus A. Jackson
(74) *Attorney, Agent, or Firm*—Alix, Yale & Ristas, LLP

(57) **CLAIM**

The ornamental design for a portable rechargeable battery pack with spotlight, as shown and described.

DESCRIPTION

FIG. 1 is a front perspective view of the portable rechargeable battery pack with spotlight showing my new design; FIG. 2 is a rear perspective view of the portable rechargeable battery pack with spotlight of FIG. 1 with parts in an alternative position; FIG. 3 is a right side view of the portable rechargeable battery pack with spotlight of FIG. 1; FIG. 4 is a left side view of the portable rechargeable battery pack with spotlight of FIG. 1; FIG. 5 is a front view of the portable rechargeable battery pack with spotlight of FIG. 1; FIG. 6 is a rear view of the portable rechargeable battery pack with spotlight of FIG. 1; FIG. 7 is a top plan view of the portable rechargeable battery pack with spotlight of FIG. 1; and, FIG. 8 is a bottom plan view of the portable rechargeable battery pack with spotlight of FIG. 1.

1 Claim, 4 Drawing Sheets

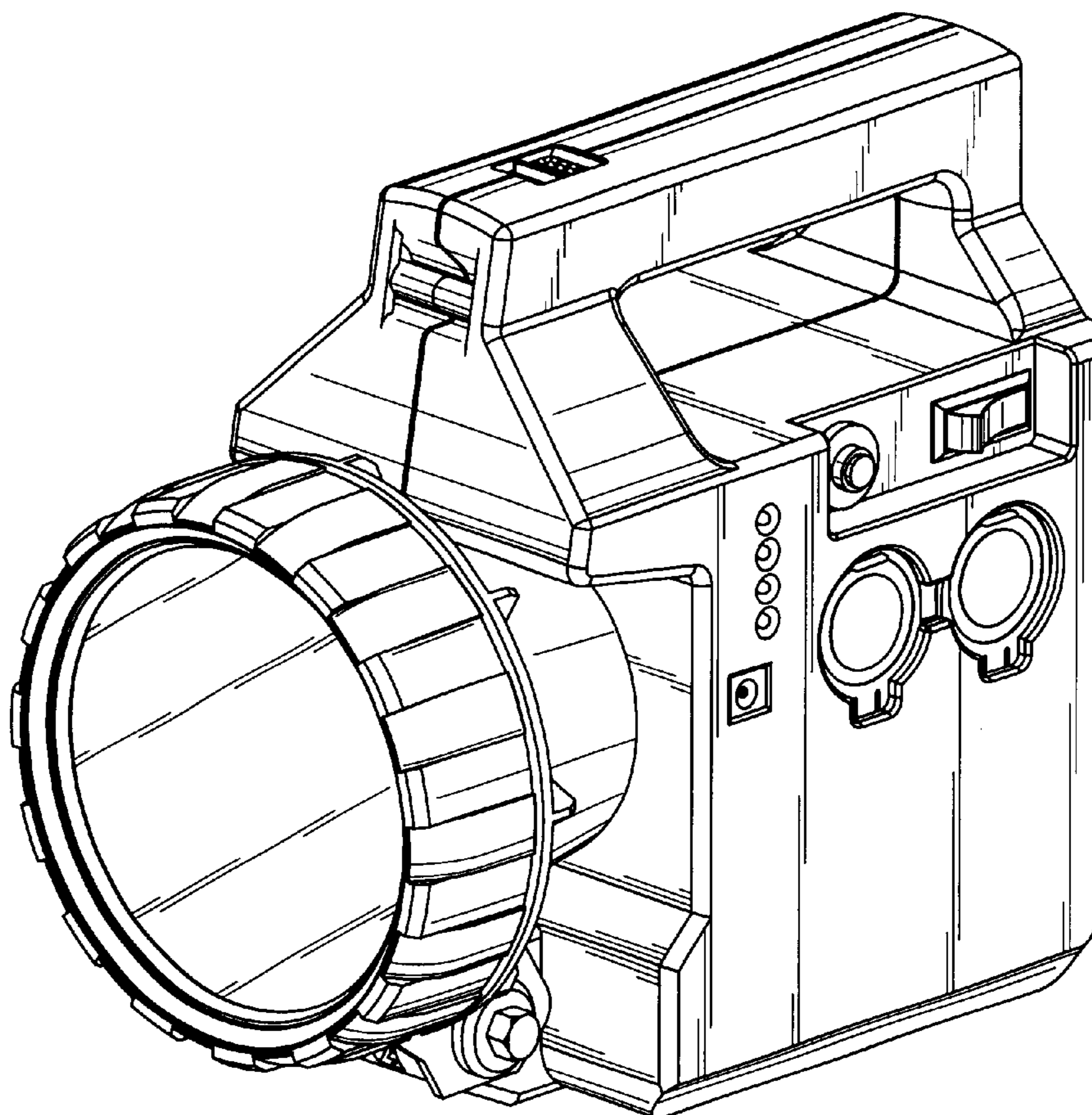


FIG. 1

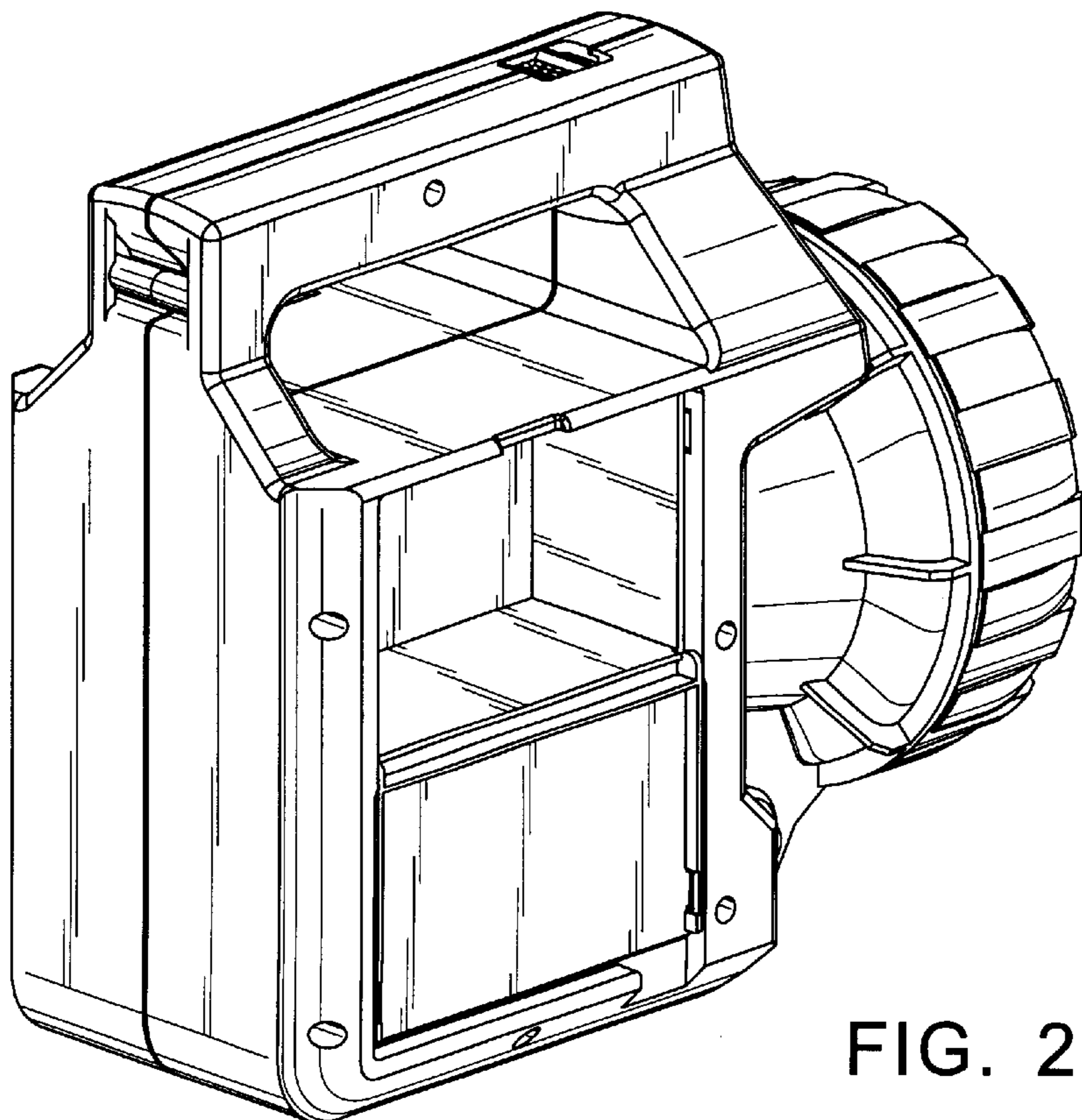
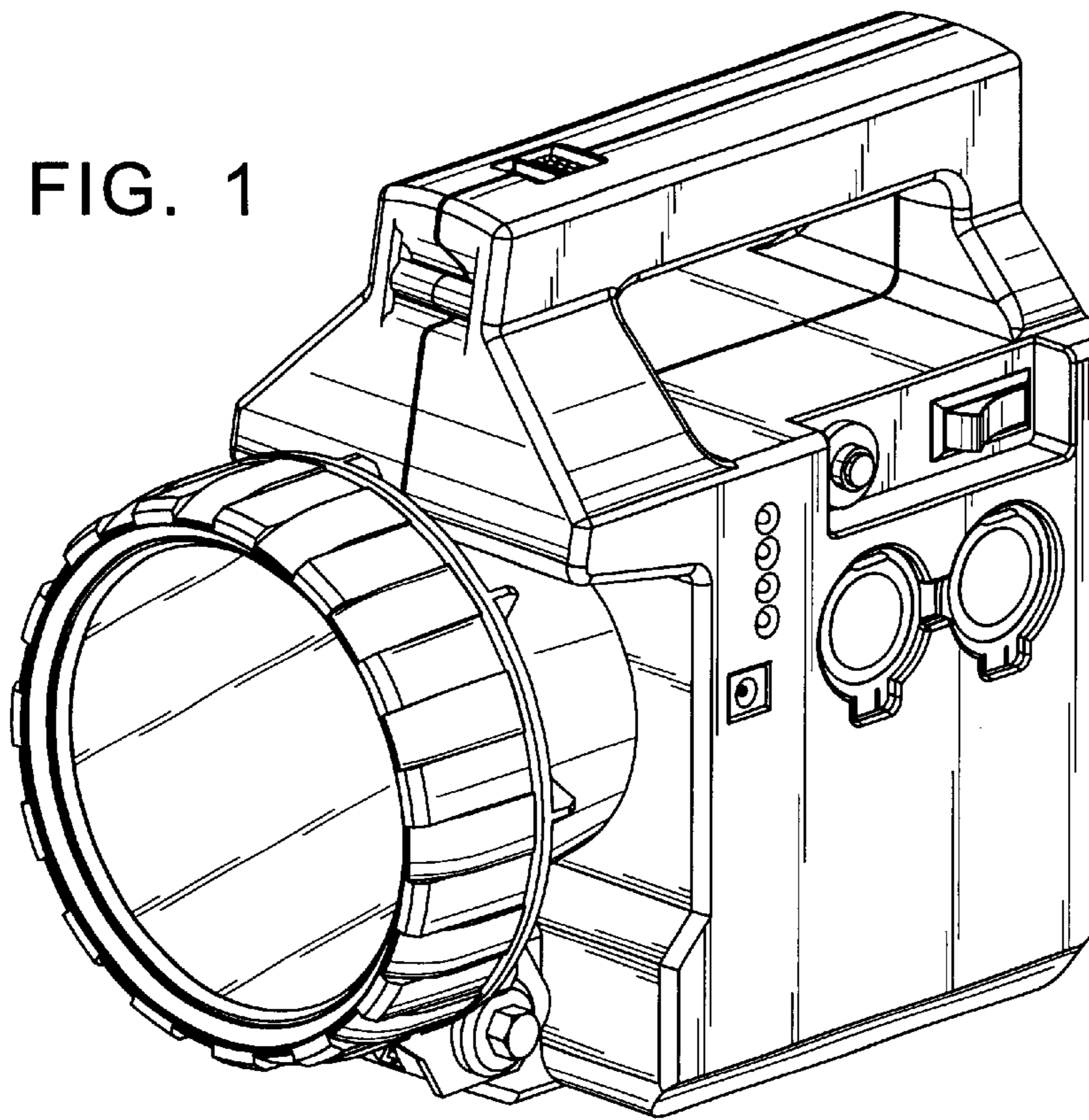


FIG. 2

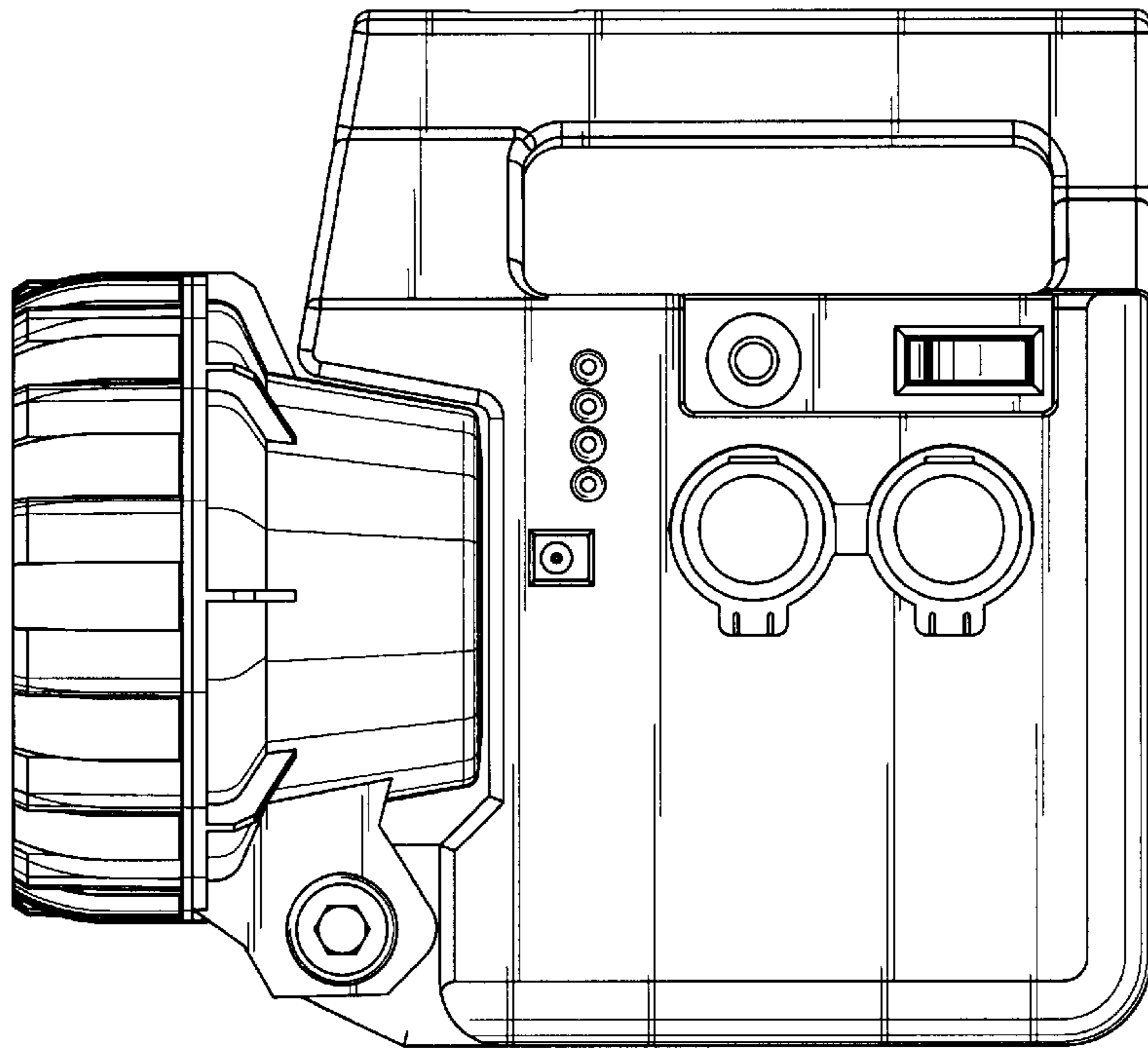


FIG. 3

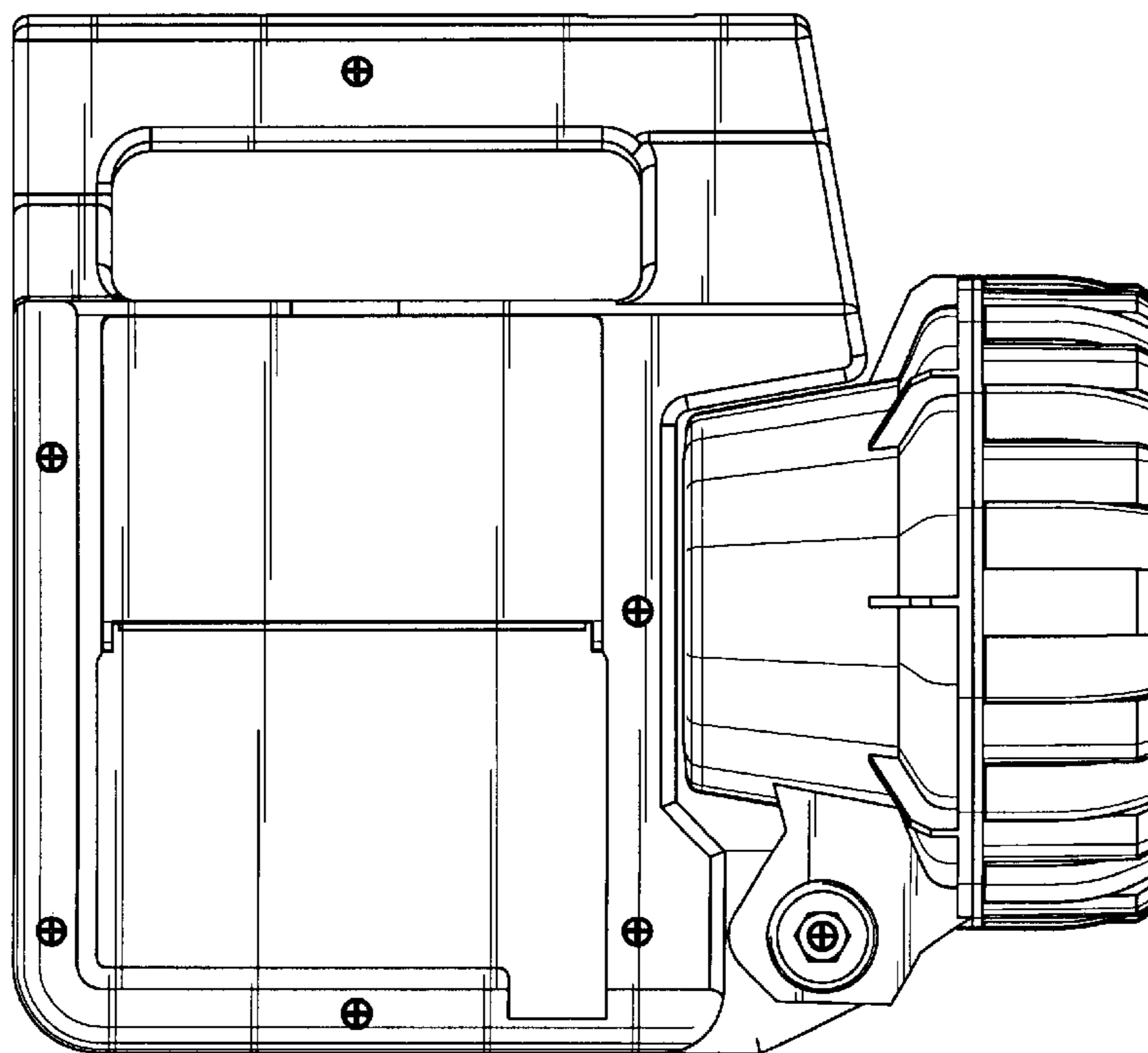


FIG. 4

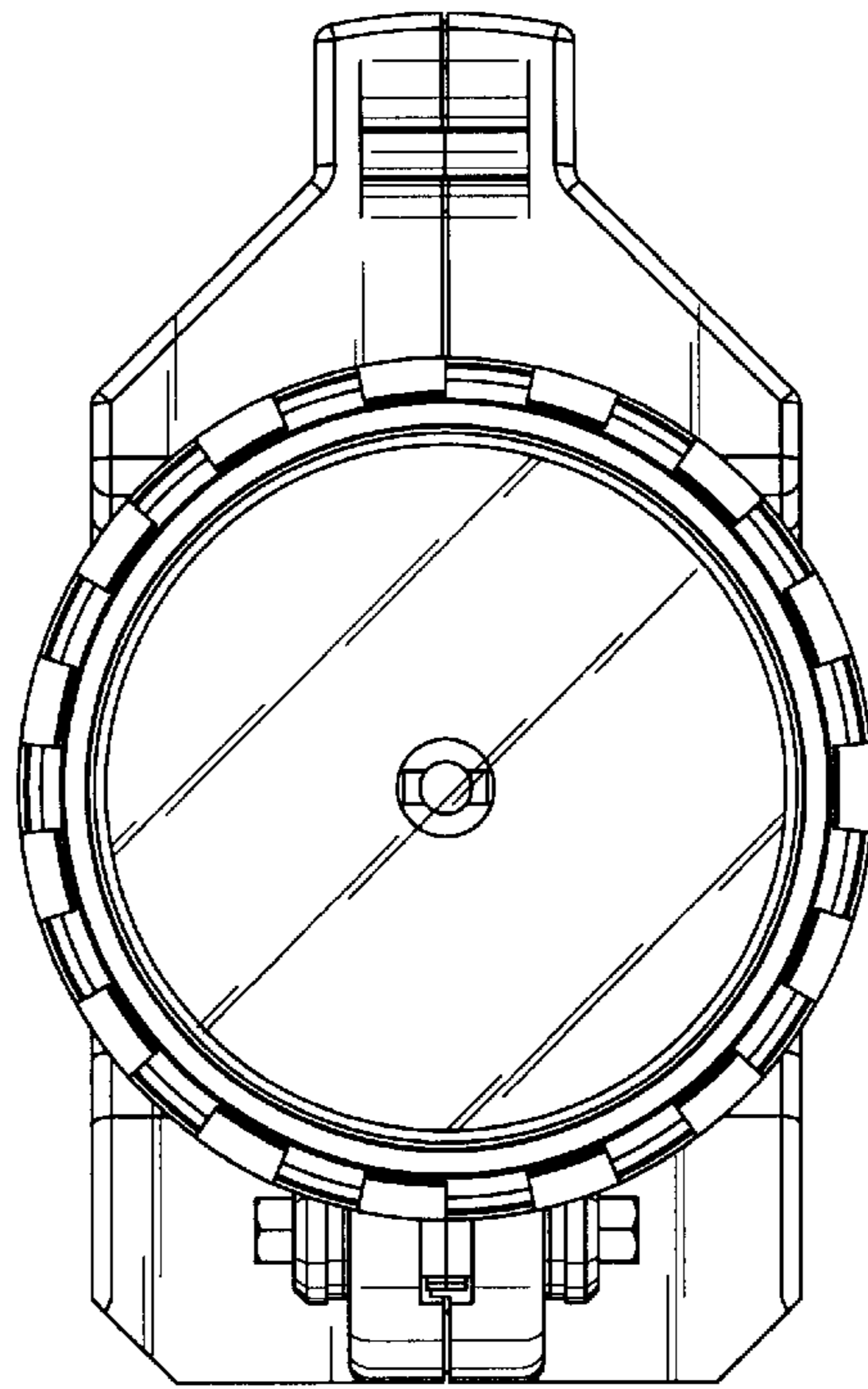


FIG. 5

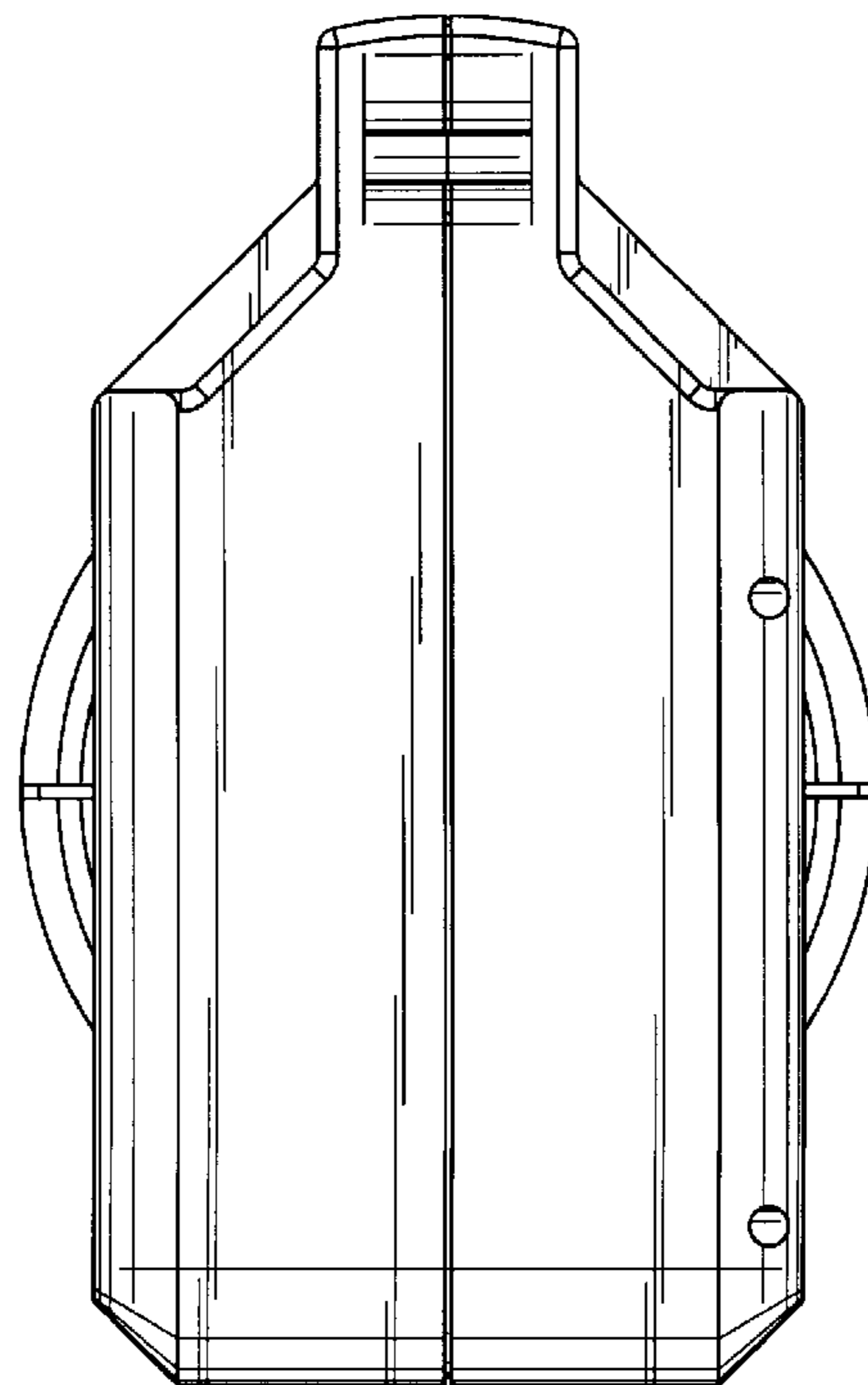


FIG. 6

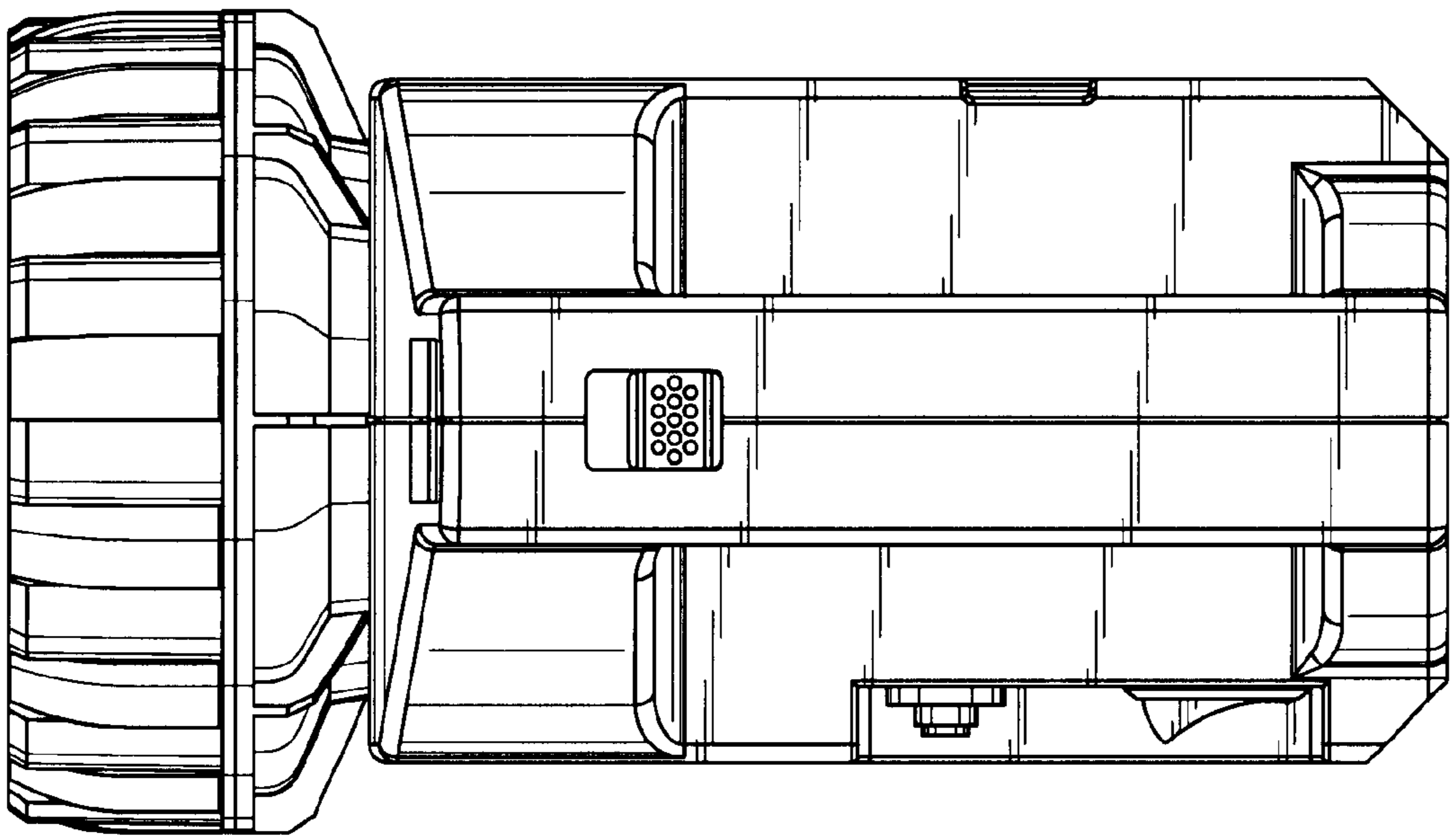


FIG. 7

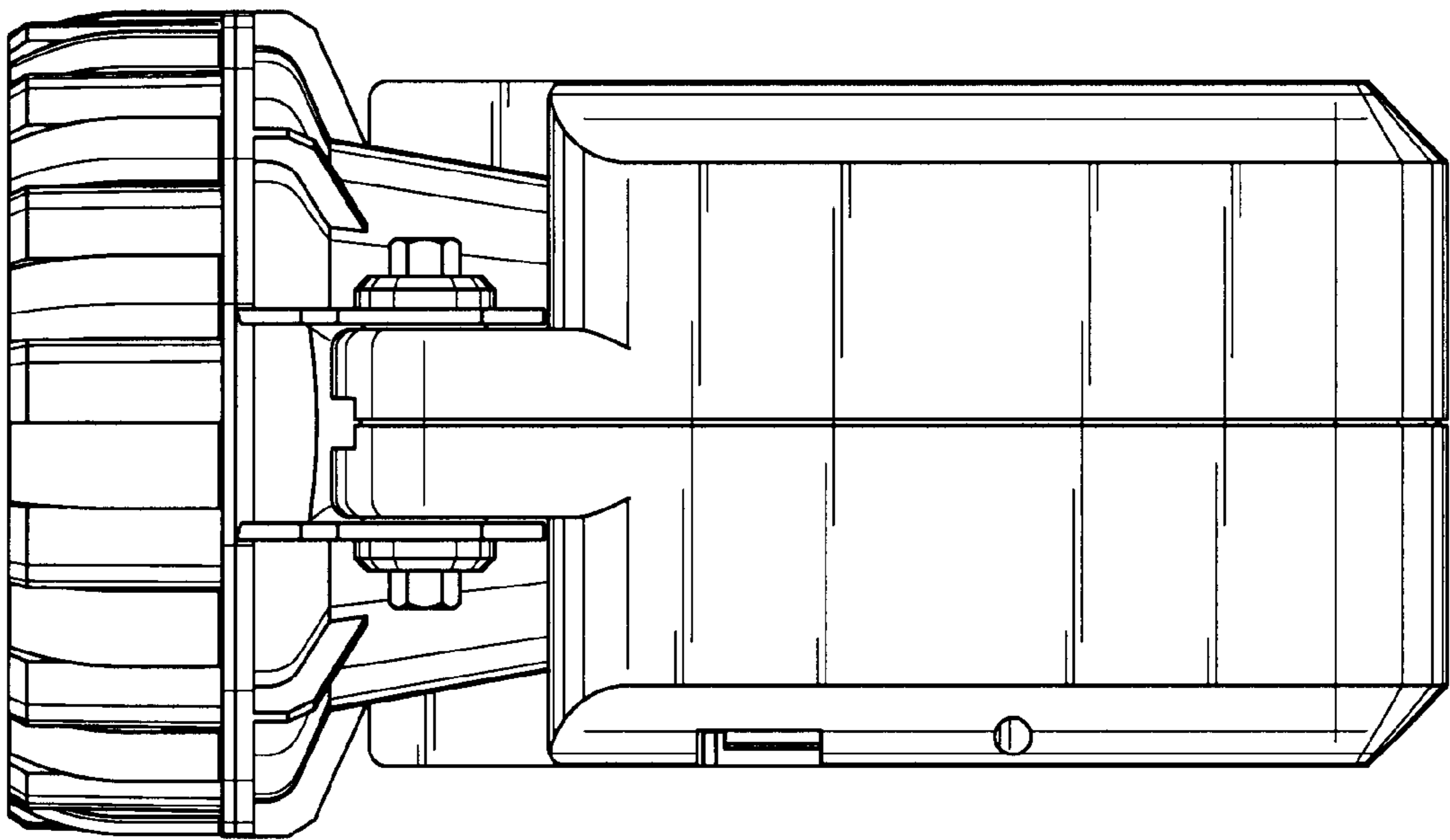


FIG. 8