



US00D472004S

(12) **United States Design Patent**  
**Pfeiffer et al.**

(10) **Patent No.:** **US D472,004 S**

(45) **Date of Patent:** **\*\* Mar. 18, 2003**

(54) **SURFACE CONFIGURATION OF A  
TAILLIGHT FOR A VEHICLE**

D289,087 S \* 3/1987 Kobata ..... D26/120  
D409,772 S \* 5/1999 Bangle ..... D26/28  
D427,363 S \* 6/2000 Sacco et al. .... D26/28

(75) Inventors: **Peter Pfeiffer**, Boeblingen (DE); **Murat Guenak**, Ehningen (DE); **Hans-Dieter Futschik**, Gechingen (DE)

\* cited by examiner

*Primary Examiner*—Marcus A. Jackson

(73) Assignee: **DaimlerChrysler AG**, Stuttgart (DE)

(74) *Attorney, Agent, or Firm*—Crowell & Moring LLP

(\*\*) Term: **14 Years**

(57) **CLAIM**

(21) Appl. No.: **29/166,154**

The ornamental design for a surface configuration of a taillight for a vehicle, as shown and described.

(22) Filed: **Aug. 23, 2002**

**DESCRIPTION**

(30) **Foreign Application Priority Data**

Feb. 26, 2002 (DE) ..... 402 01 691

(51) **LOC (7) Cl.** ..... **26-06**

(52) **U.S. Cl.** ..... **D26/28**

(58) **Field of Search** ..... D26/28–36; 362/61,  
362/66, 80, 81, 82, 83, 83.4, 326, 327,  
328, 329, 330–340

FIG. 1 is a front view of a first embodiment of a surface configuration of a taillight for a vehicle according to our novel design;

FIG. 2 is a perspective view of the first embodiment of the surface configuration of a taillight for a vehicle according to our novel design;

FIG. 3 is a front view of a second embodiment of the surface configuration of a taillight for a vehicle according to our novel design; and,

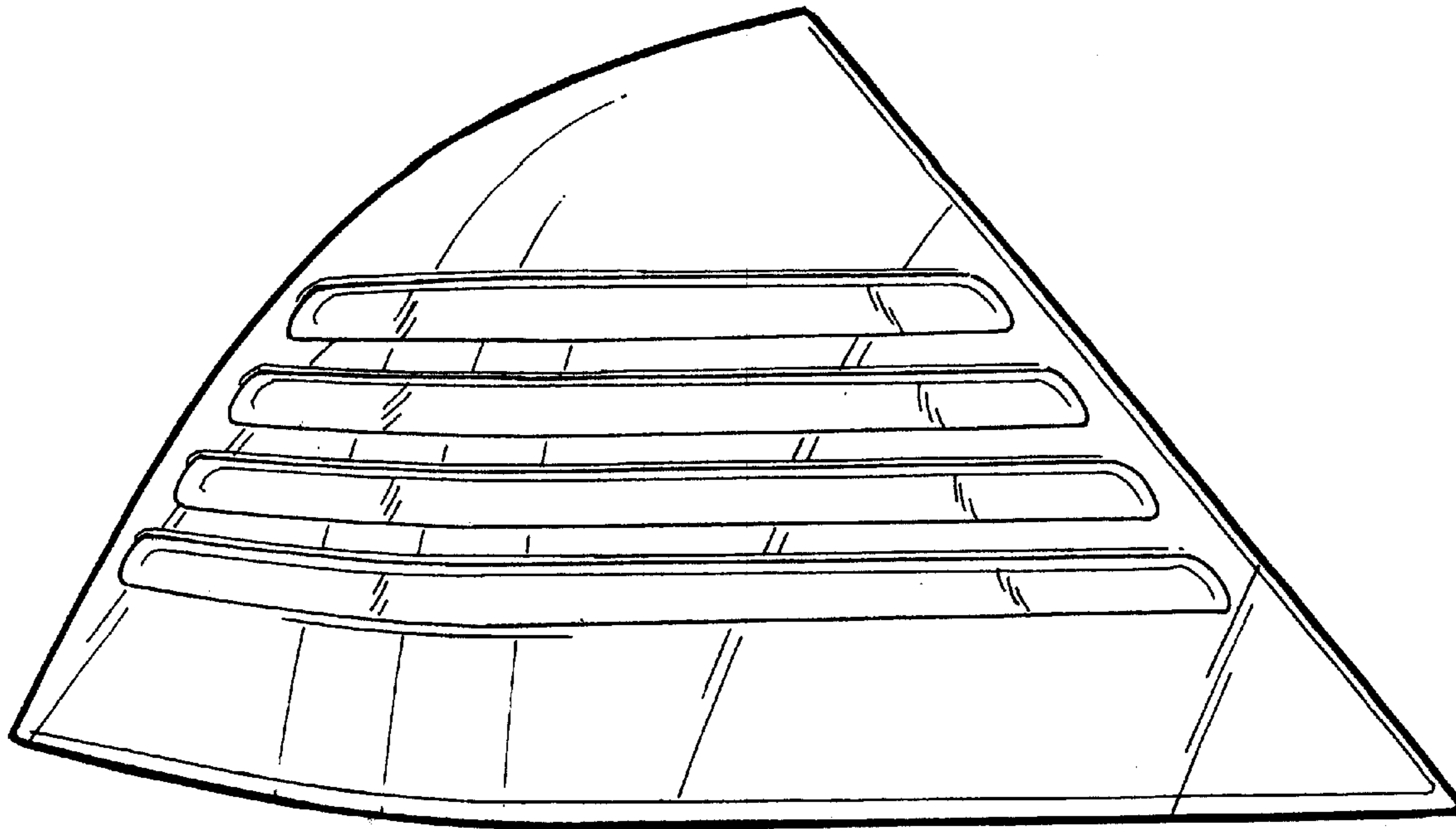
FIG. 4 is a perspective view of the second embodiment of the surface configuration of a taillight for a vehicle according to our novel design.

(56) **References Cited**

**U.S. PATENT DOCUMENTS**

D288,137 S \* 2/1987 Hirano ..... D26/120

**1 Claim, 2 Drawing Sheets**



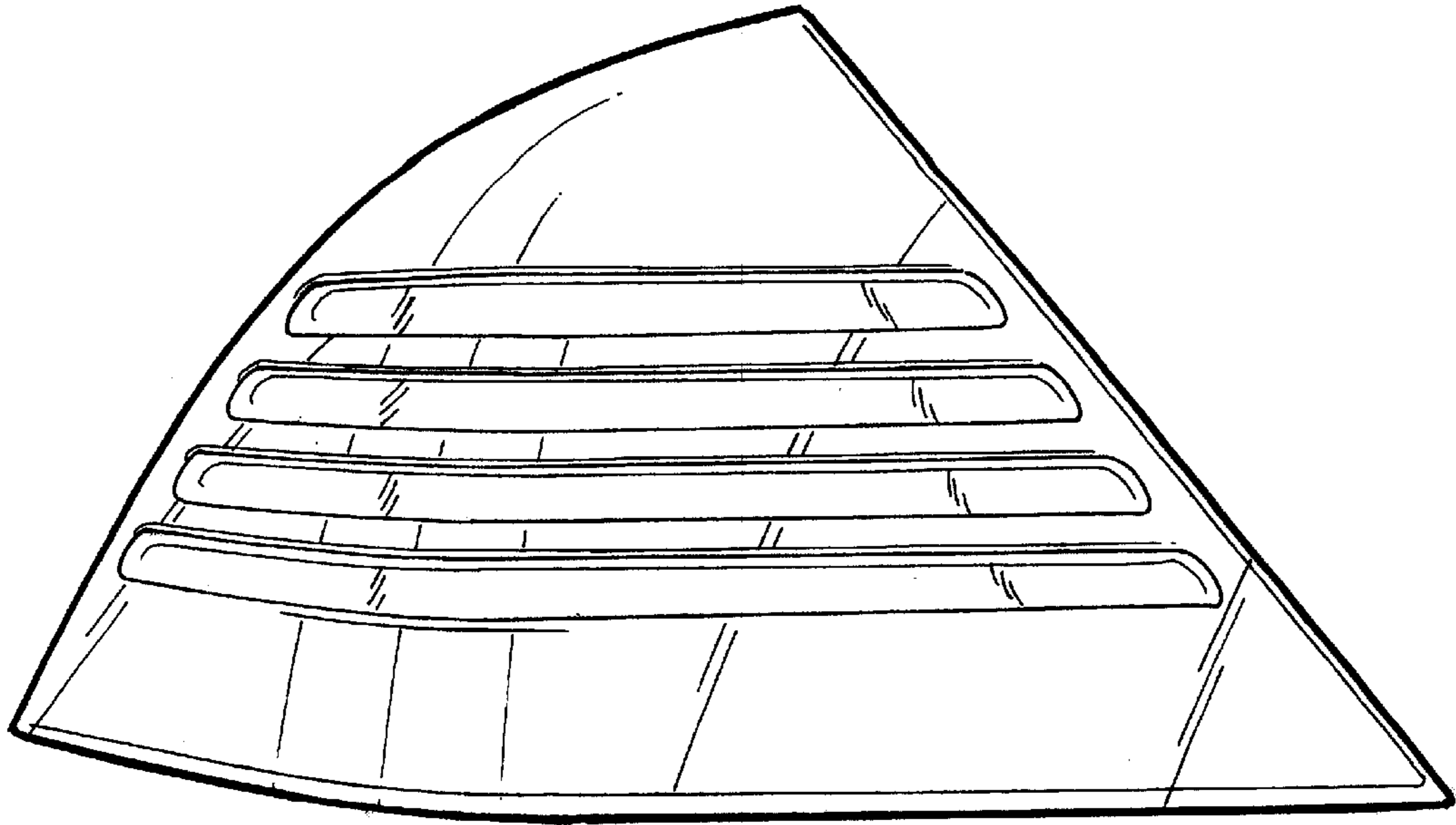


FIG. 1

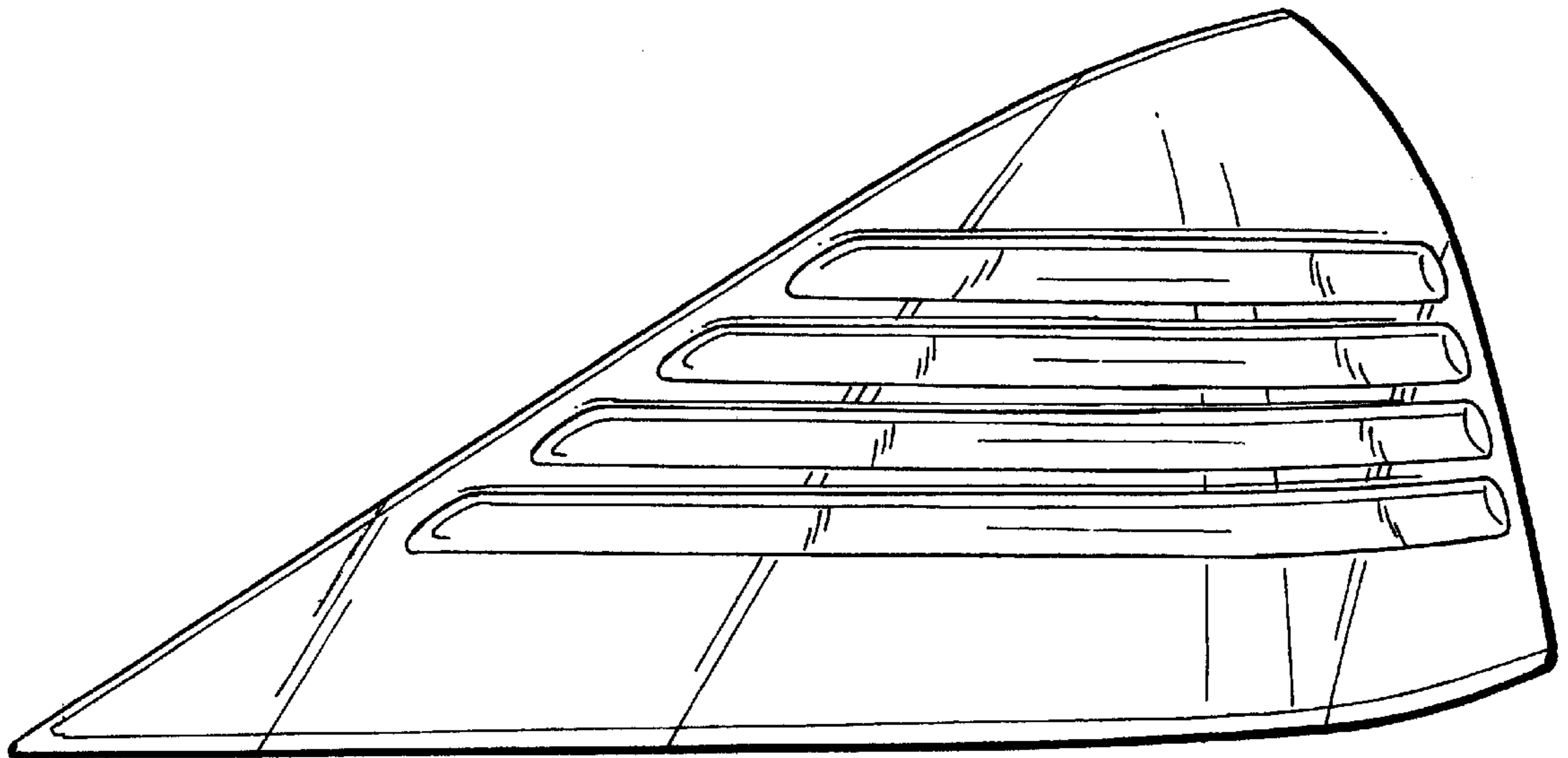


FIG. 2

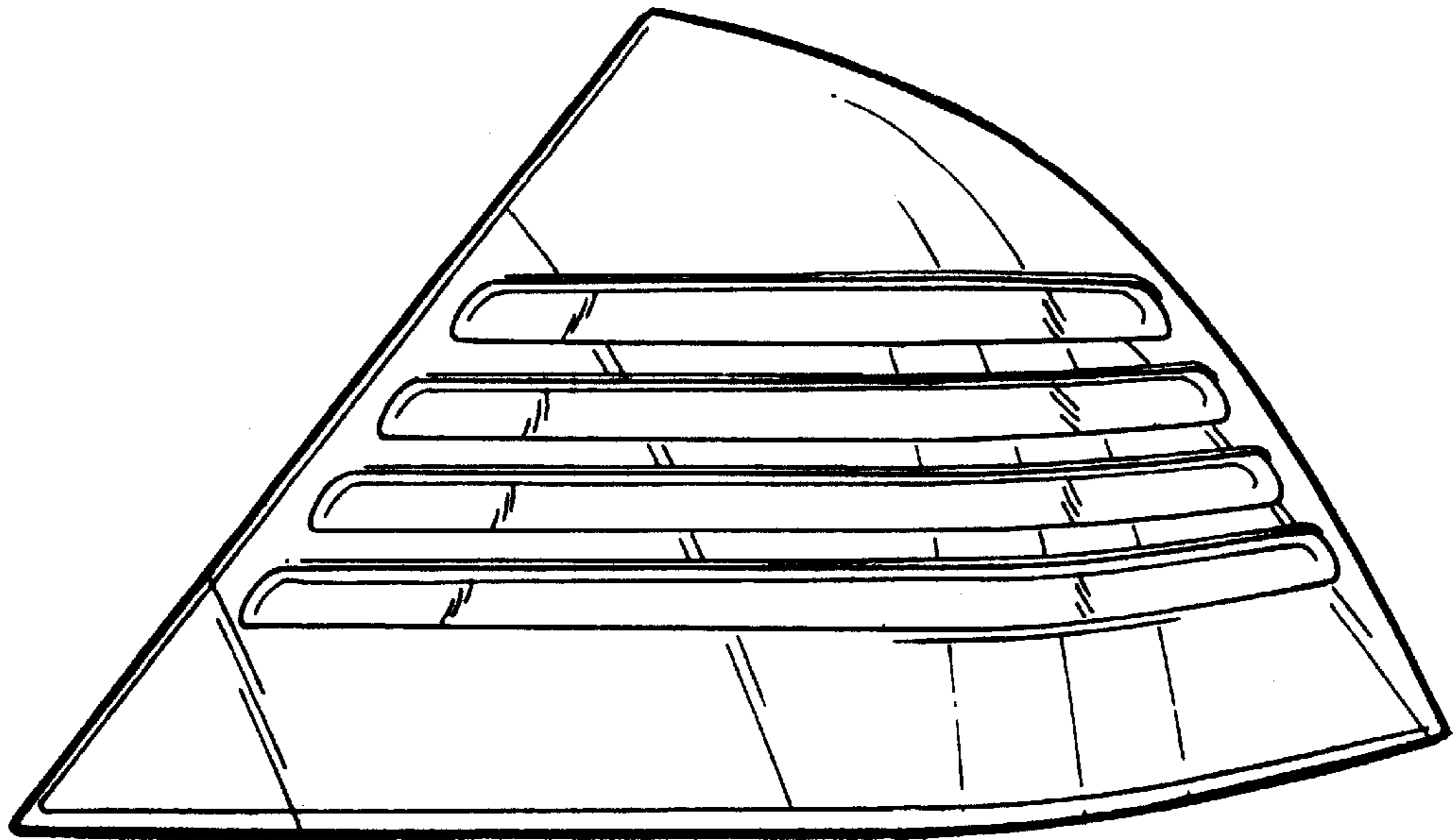


FIG. 3

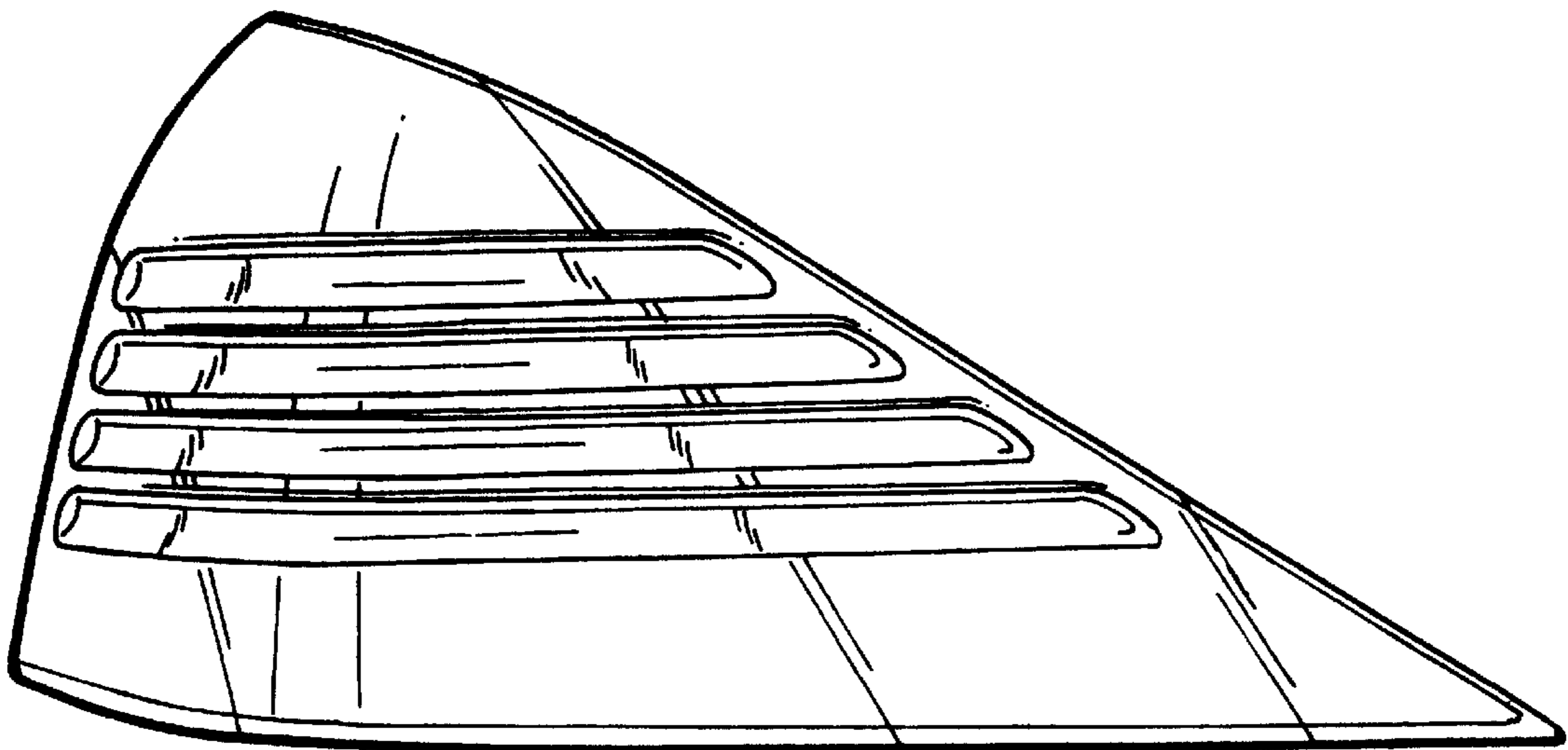


FIG. 4