



US00D472003S

(12) **United States Design Patent**
Kawano et al.

(10) **Patent No.:** **US D472,003 S**

(45) **Date of Patent:** **** Mar. 18, 2003**

(54) **WINKER FOR A MOTORCYCLE**

D449,124 S * 10/2001 Kamata et al. D26/28
D455,852 S * 4/2002 Sawabe et al. D26/28

(75) Inventors: **Takuji Kawano**, Wako (JP); **Kazuhiro Sakamoto**, Wako (JP); **Yoshitaka Kubota**, Wako (JP); **Takashi Takizawa**, Wako (JP)

* cited by examiner

Primary Examiner—Marcus A. Jackson
(74) *Attorney, Agent, or Firm*—Birch, Stewart, Kolasch & Birch, LLP

(73) Assignee: **Honda Giken Kogyo Kabushiki Kaisha**, Tokyo (JP)

(57) **CLAIM**

(**) Term: **14 Years**

The ornamental design for, winker for a motorcycle, as shown and described.

(21) Appl. No.: **29/163,085**

DESCRIPTION

(22) Filed: **Jun. 28, 2002**

(30) **Foreign Application Priority Data**

Dec. 28, 2001 (JP) 2001-038722

FIG. 1 is a front- left side perspective view of a winker for a motorcycle, showing our new design;
FIG. 2 is a front-right side perspective view thereof;
FIG. 3 is a rear-left side perspective view thereof;
FIG. 4 is a rear-right side perspective view thereof;
FIG. 5 is a front elevation view thereof,
FIG. 6 is a rear elevation view thereof,
FIG. 7 is a top plan view thereof,
FIG. 8 is a bottom plan view thereof.
FIG. 9 is a right side elevation view thereof; and,
FIG. 10 is a left side elevation view thereof.

(51) **LOC (7) Cl.** **26-04**

(52) **U.S. Cl.** **D26/28**

(58) **Field of Search** D26/28-36; 362/157, 362/158, 171, 172, 173, 181-208, 61, 80-83.4, 267, 269, 275, 330-340

(56) **References Cited**

U.S. PATENT DOCUMENTS

D448,871 S * 10/2001 Kamata et al. D26/28

1 Claim, 10 Drawing Sheets

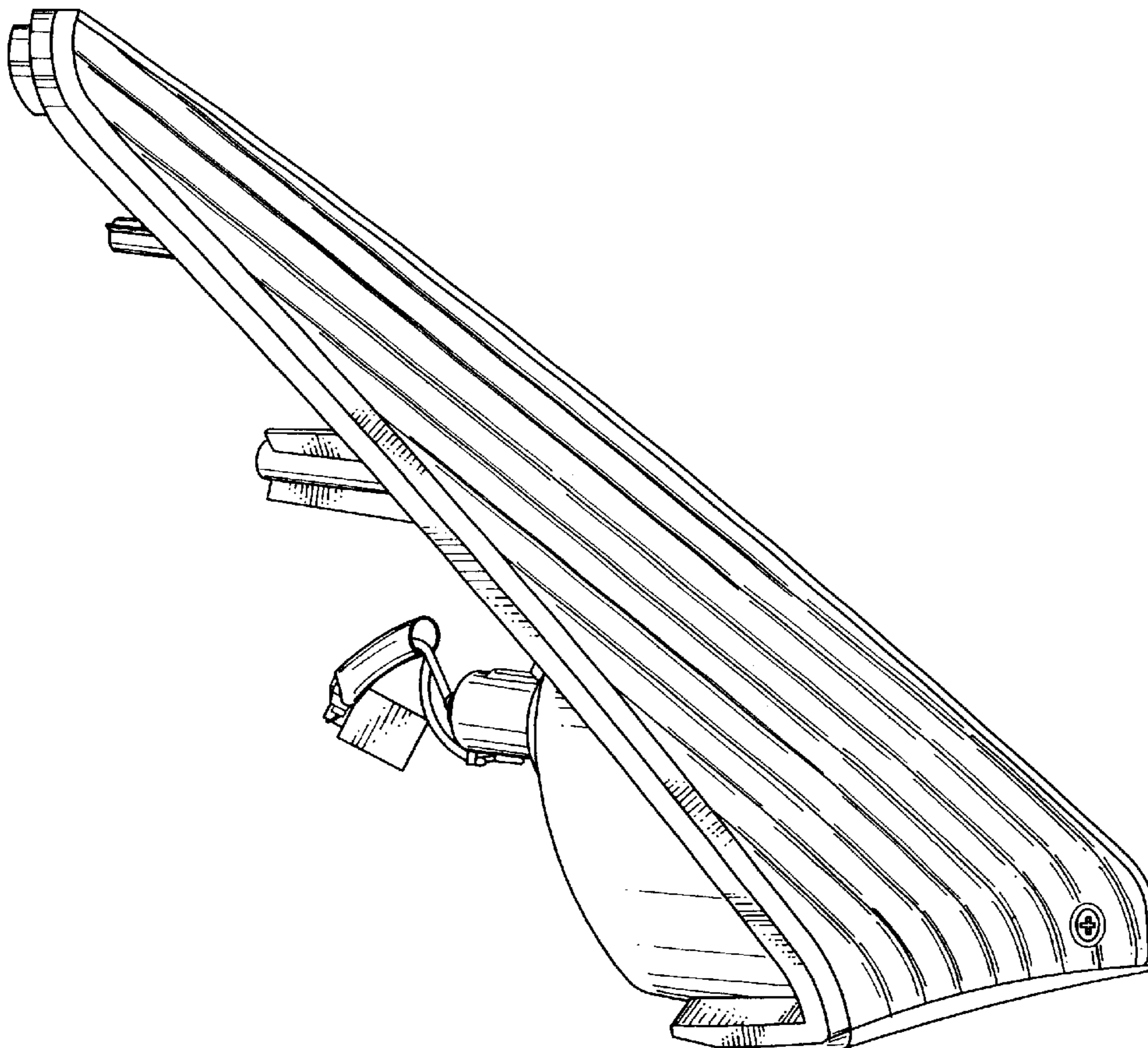
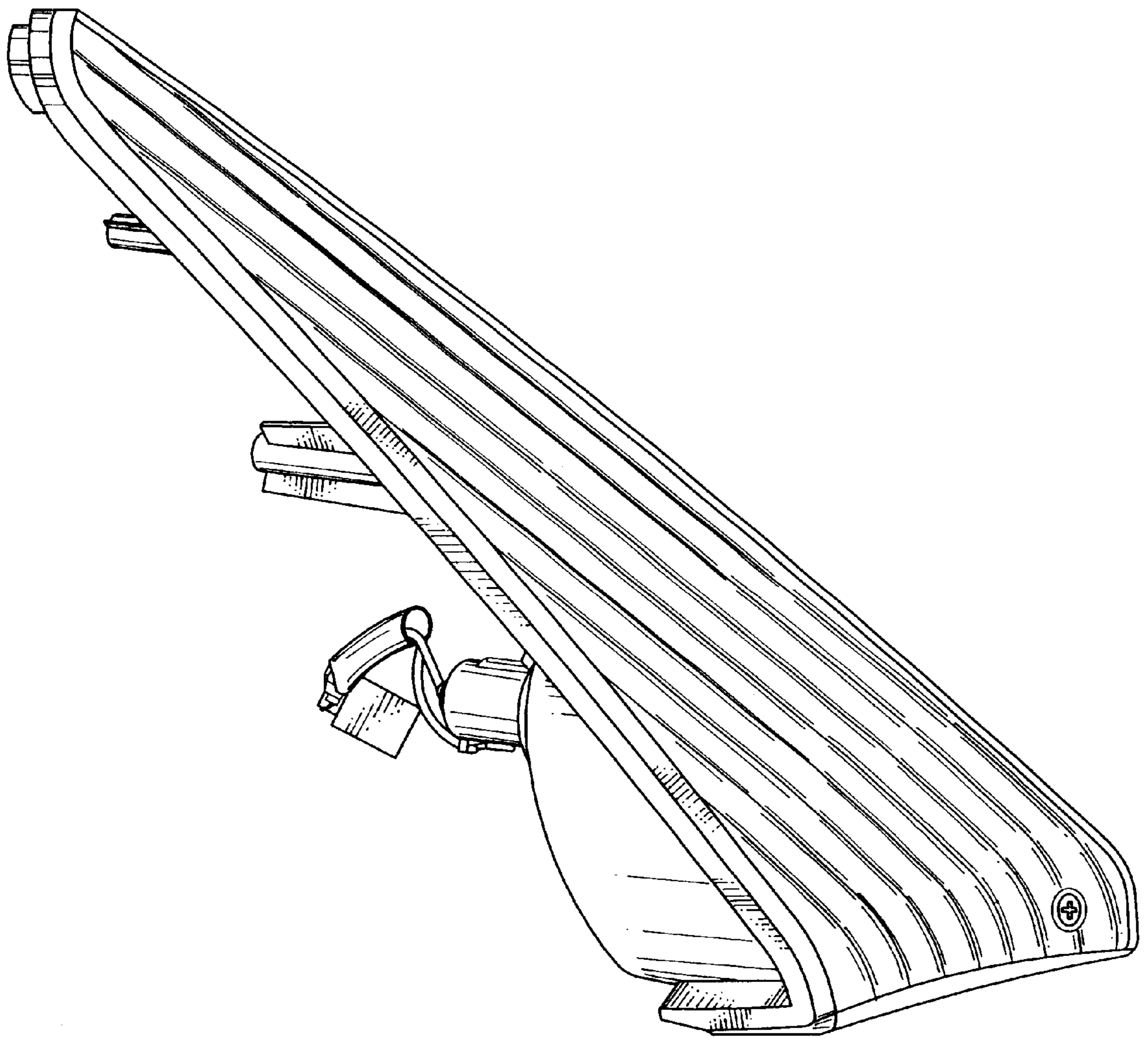
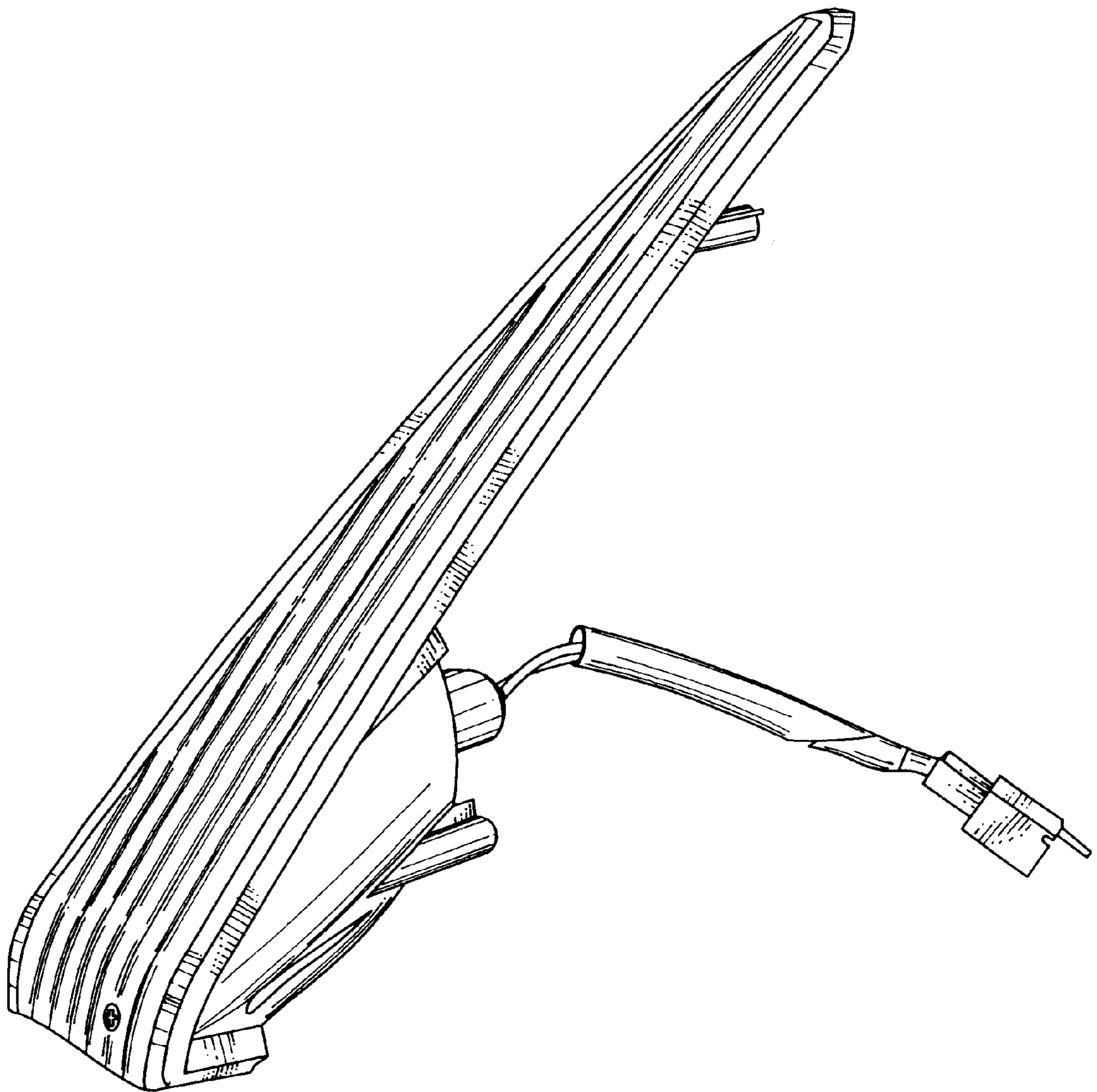


FIG. 1



F I G. 2



F I G. 3

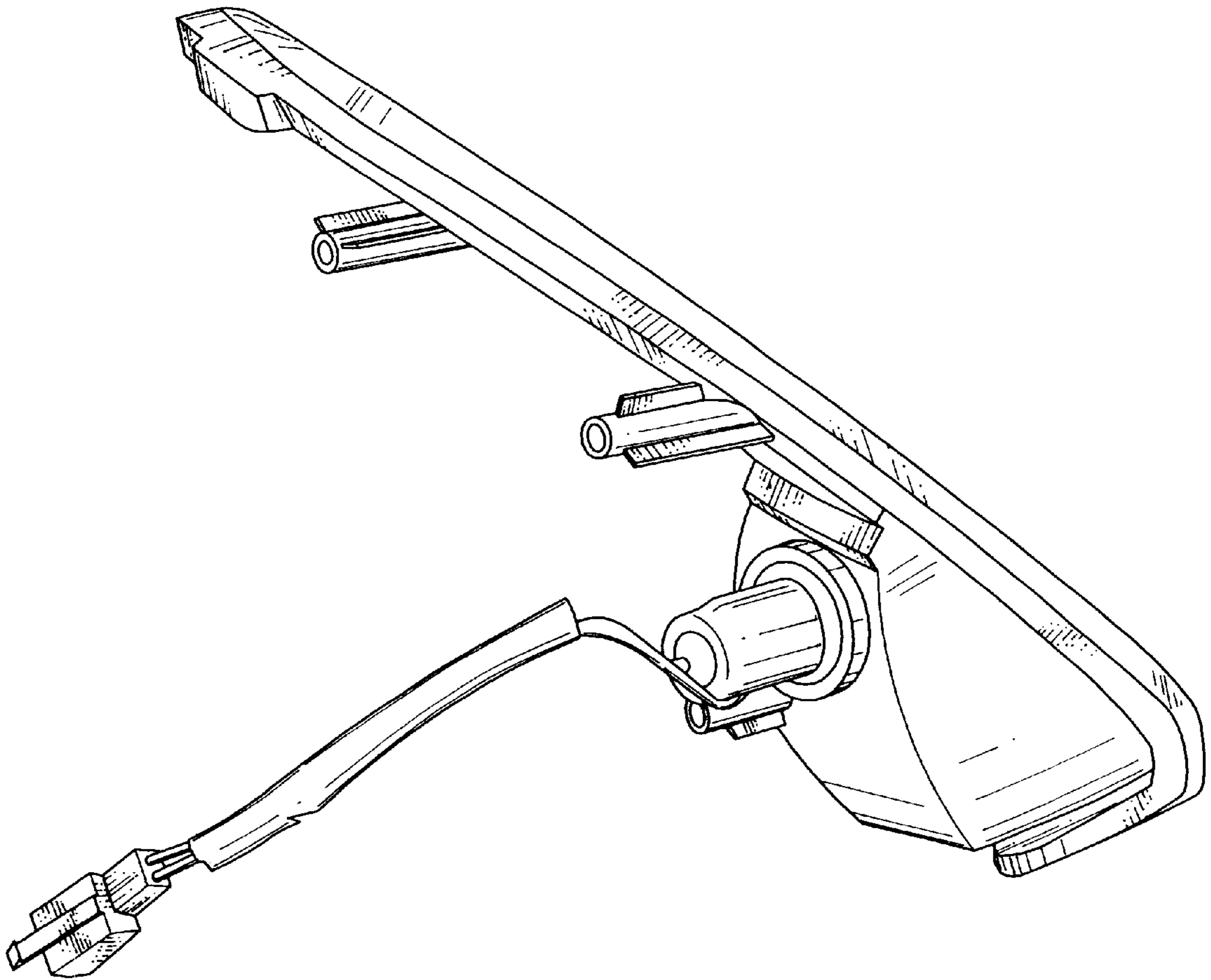


FIG. 4

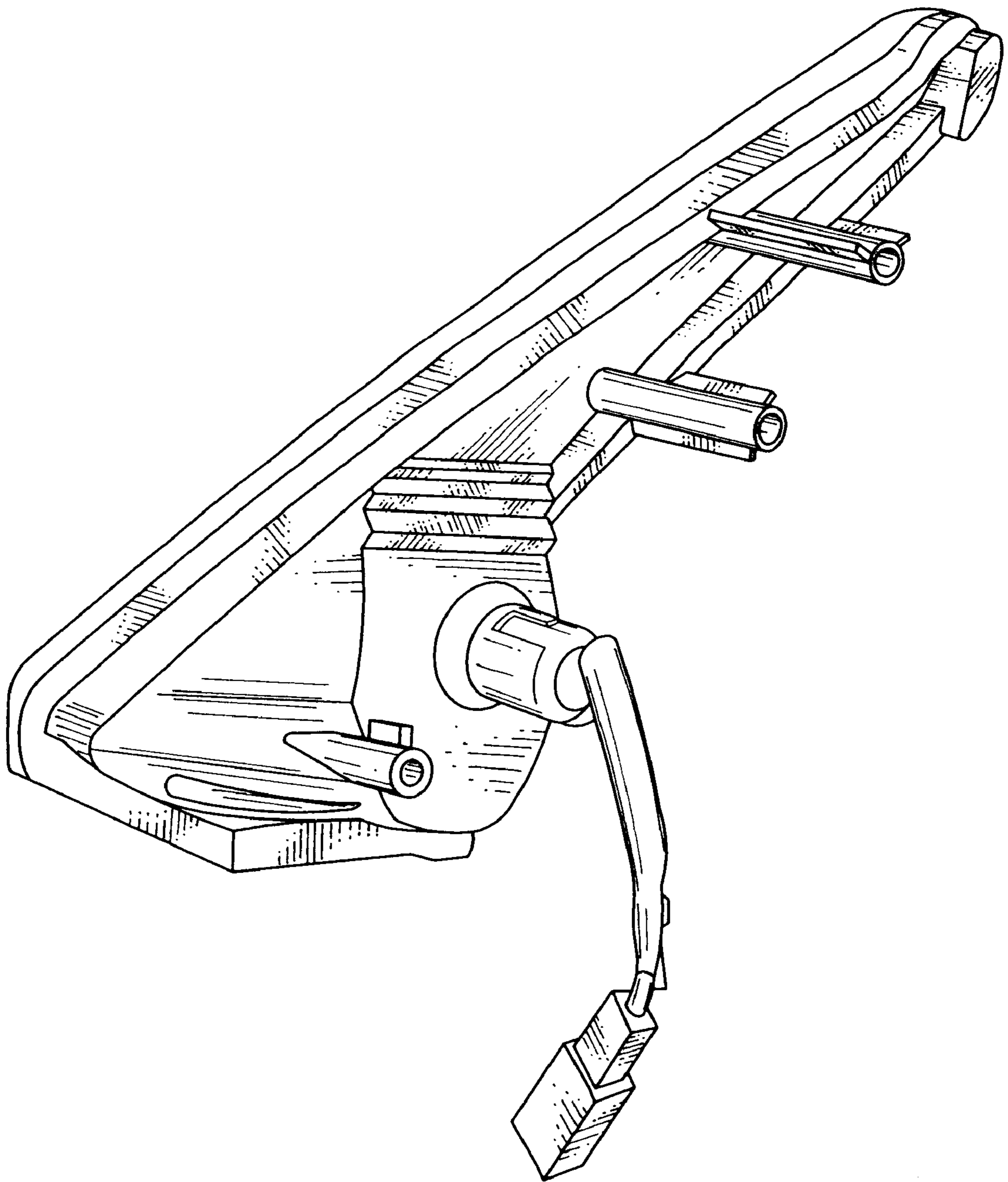


FIG. 5

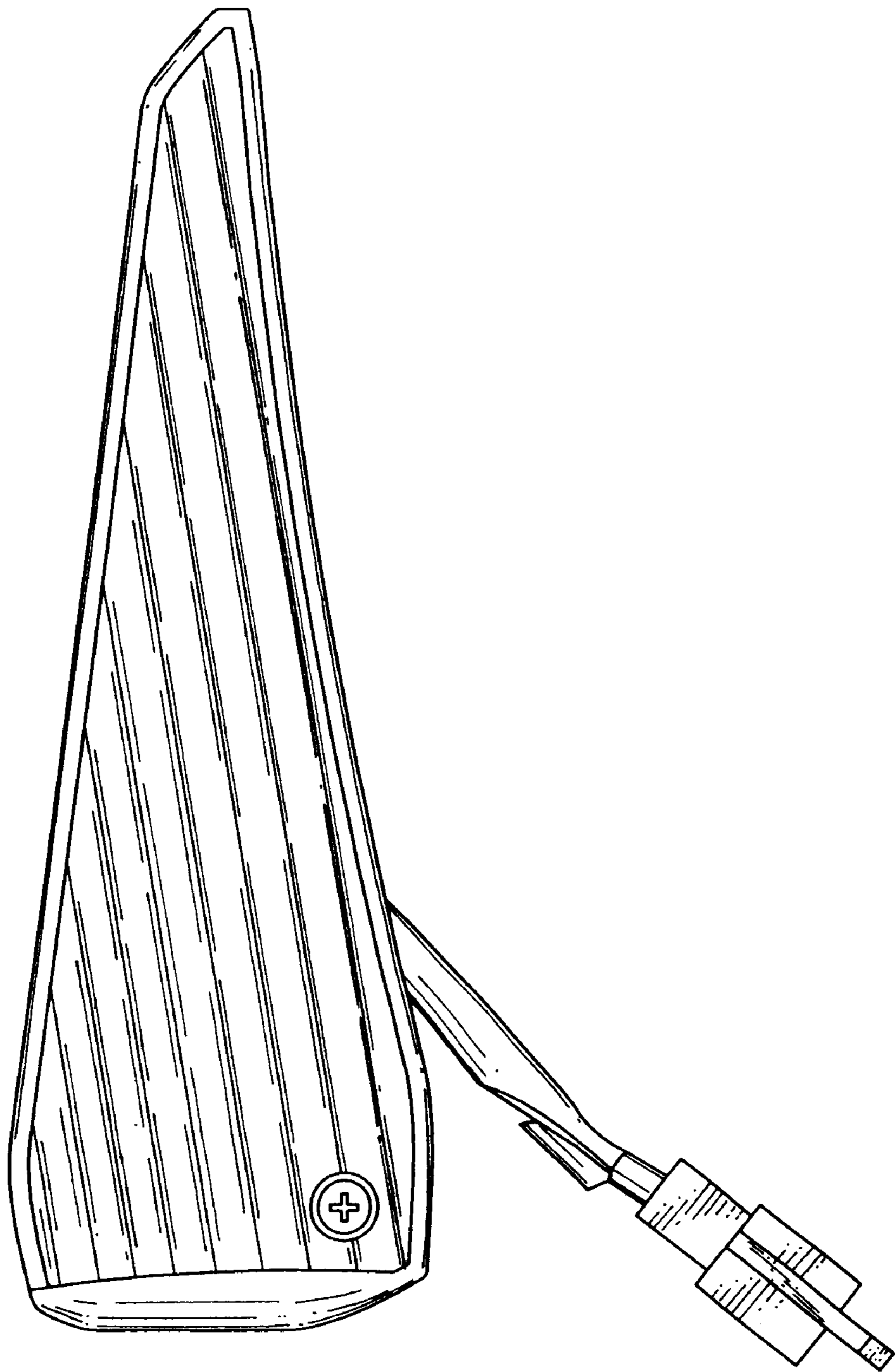


FIG. 6

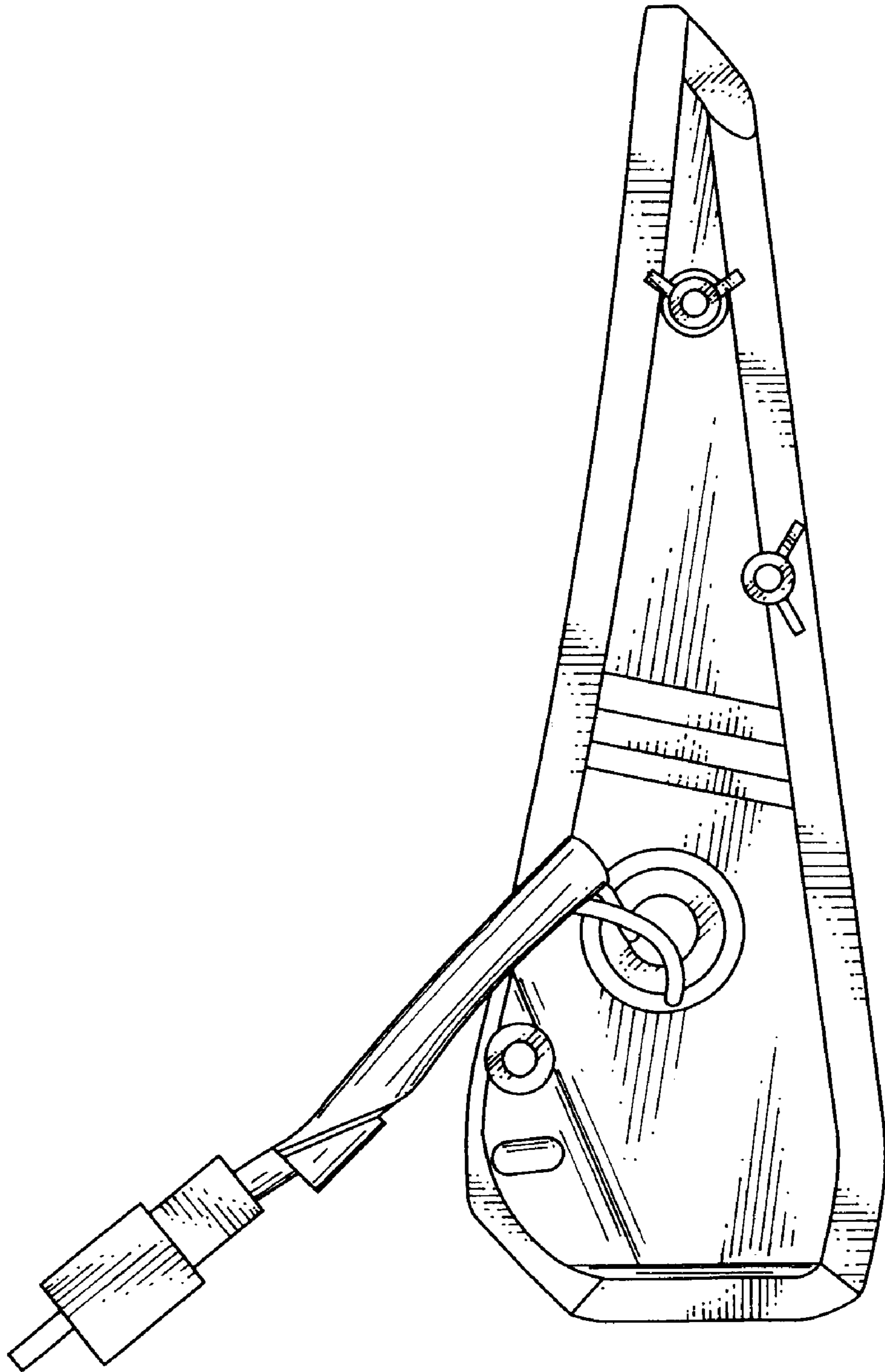


FIG. 7

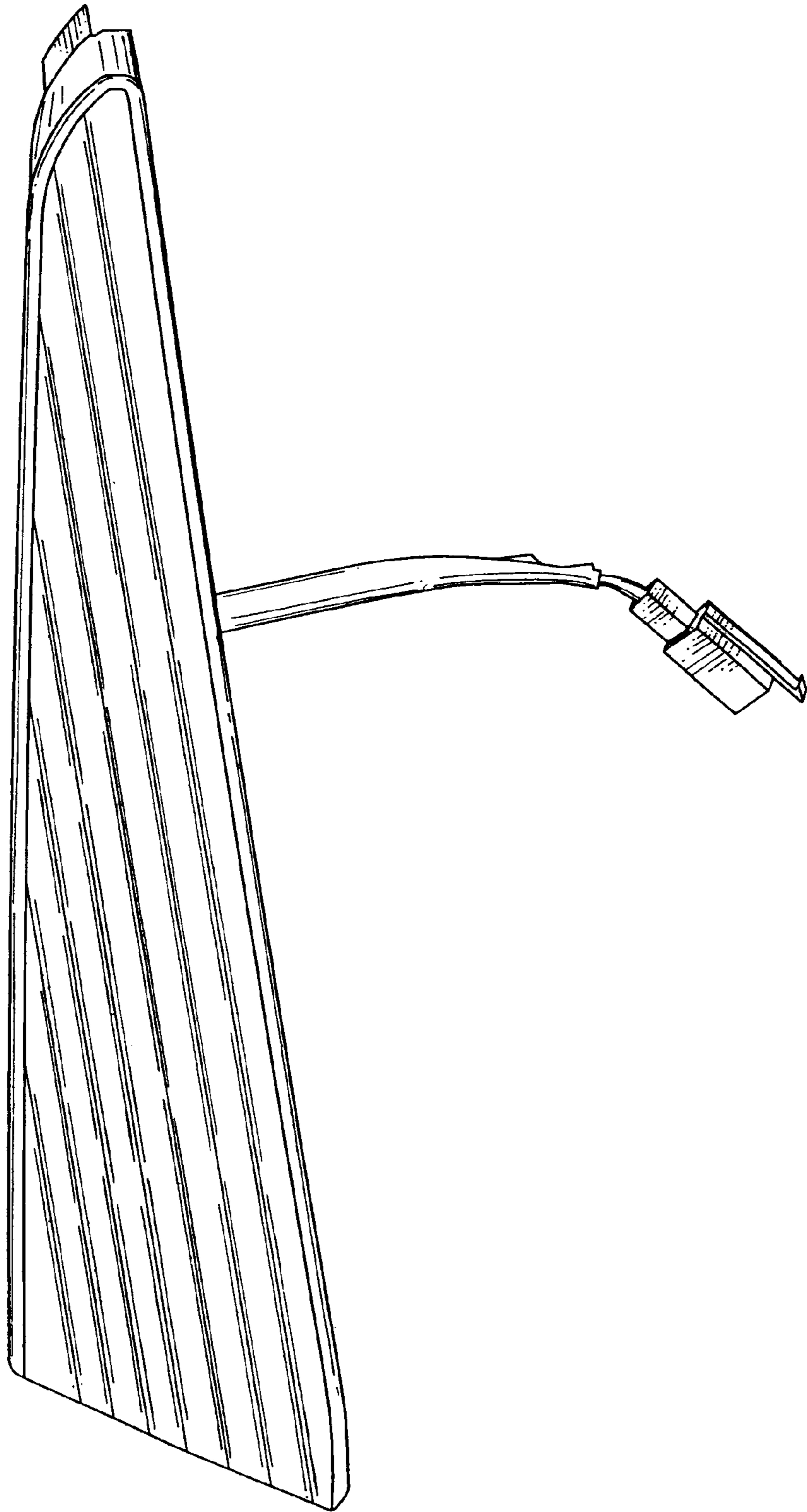


FIG. 8

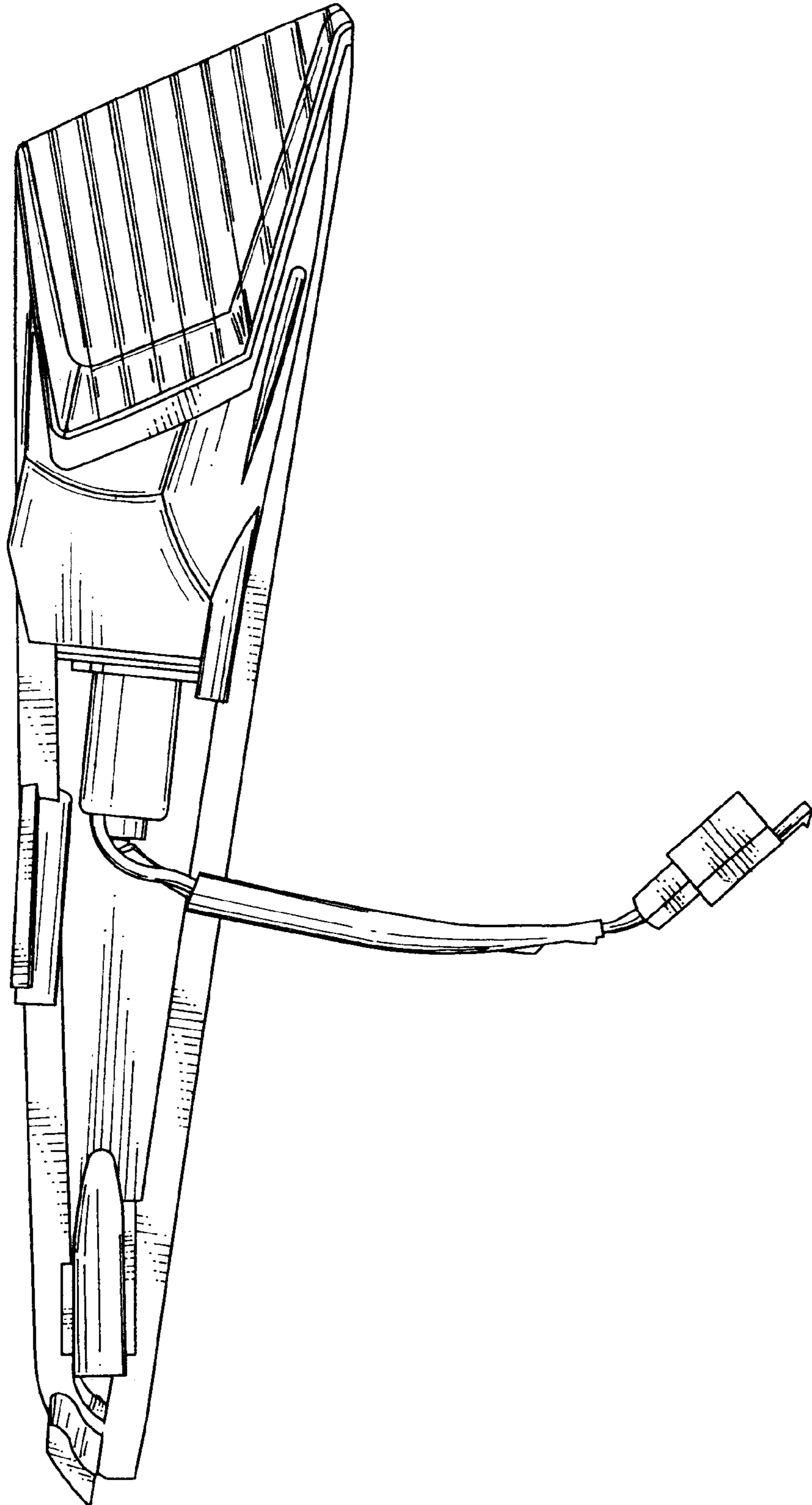


FIG. 9

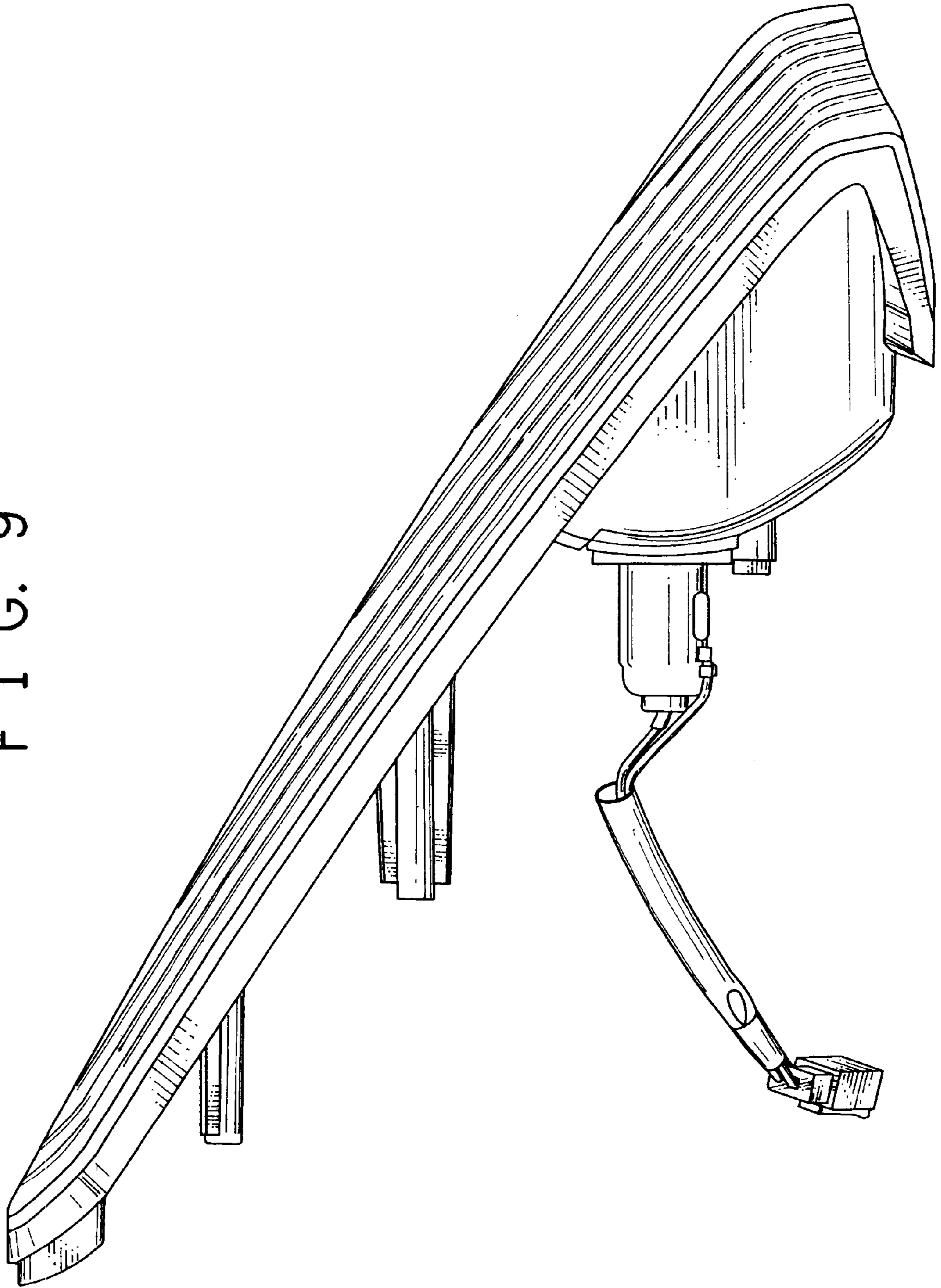


FIG. 10

