



US00D472000S

(12) **United States Design Patent**
Hayasaka et al.

(10) **Patent No.:** **US D472,000 S**

(45) **Date of Patent:** **** Mar. 18, 2003**

(54) **HEADLIGHT**

Design Registration No. 1096682, Headlight, Date of Publication: Jan. 15, 2001.

(75) Inventors: **Satoshi Hayasaka**, Hiroshima-ken (JP);
Kouichi Hayashi, Hiroshima-ken (JP)

* cited by examiner

(73) Assignee: **Mazda Motor Corporation**,
Hiroshima-ken (JP)

Primary Examiner—Marcus A. Jackson
(74) *Attorney, Agent, or Firm*—Nixon Peabody LLP;
Donald R. Studebaker

(**) Term: **14 Years**

(21) Appl. No.: **29/157,436**

(57) **CLAIM**

(22) Filed: **Mar. 20, 2002**

The ornamental design for a headlight, as shown and described.

(30) **Foreign Application Priority Data**

Dec. 12, 2001 (JP) 2001-036598

DESCRIPTION

(51) **LOC (7) Cl.** **26-04**

FIG. 1 is a perspective view of a headlight;

(52) **U.S. Cl.** **D26/28**

FIG. 2 is a front view thereof;

(58) **Field of Search** D26/28-36; 362/80,
362/81, 82, 83, 267, 289, 275

FIG. 3 is a rear view thereof;

(56) **References Cited**

FIG. 4 is a left side view thereof;

U.S. PATENT DOCUMENTS

FIG. 5 is a right side view thereof;

D406,910 S * 3/1999 Bangle D26/28

FIG. 6 is a top view thereof; and,

D427,342 S * 6/2000 Hunter et al. D26/28

FIG. 7 is a bottom view thereof.

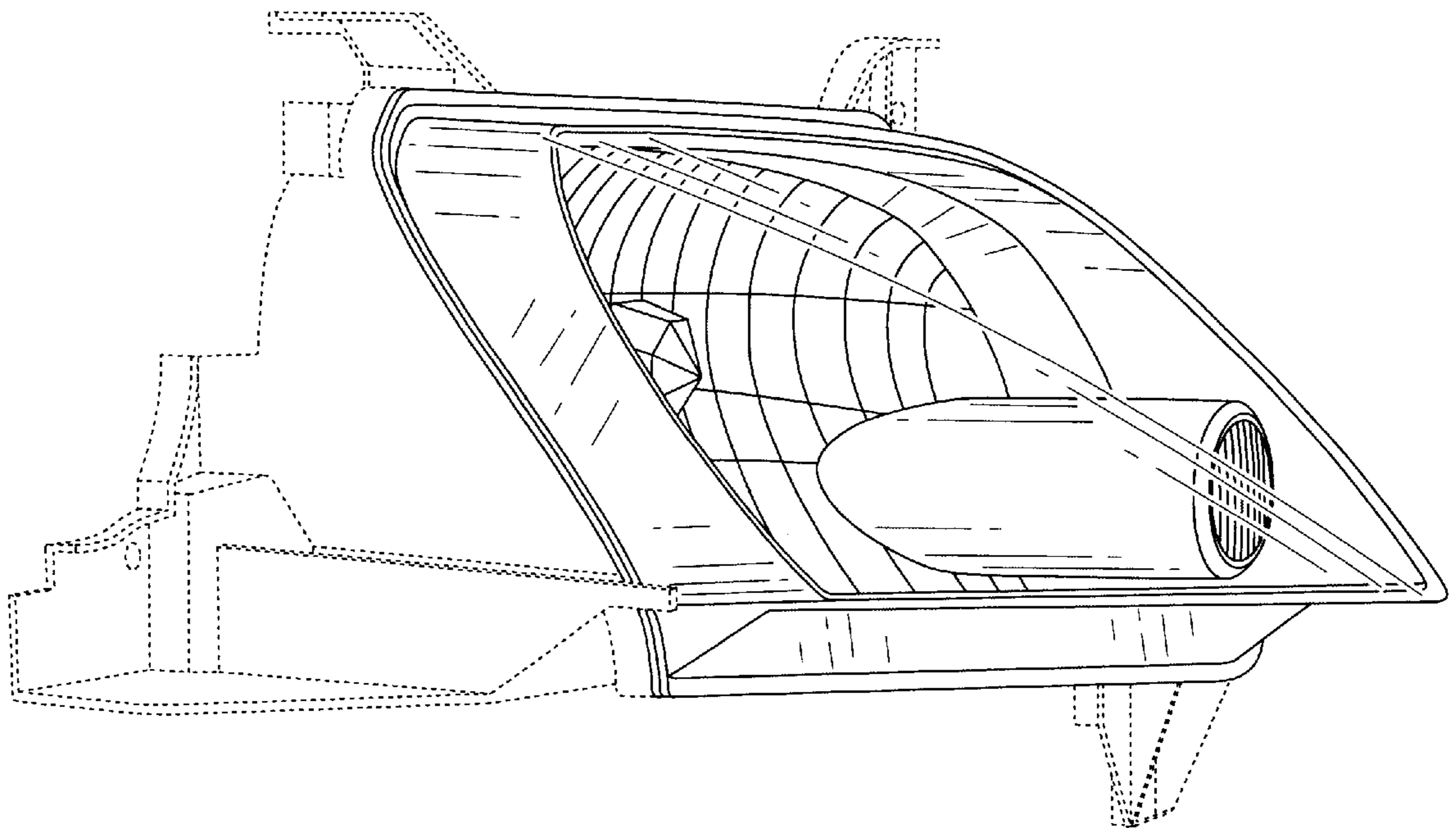
OTHER PUBLICATIONS

Portion in broken lines is shown for illustrative purposes only and forms no part of the claimed design.

Design Registration No. 1072998, Headlight, Date of Publication: Jun. 5, 2000.

Design Registration No. 1098788, Headlight, Date of Publication: Jan. 29, 2001.

1 Claim, 5 Drawing Sheets



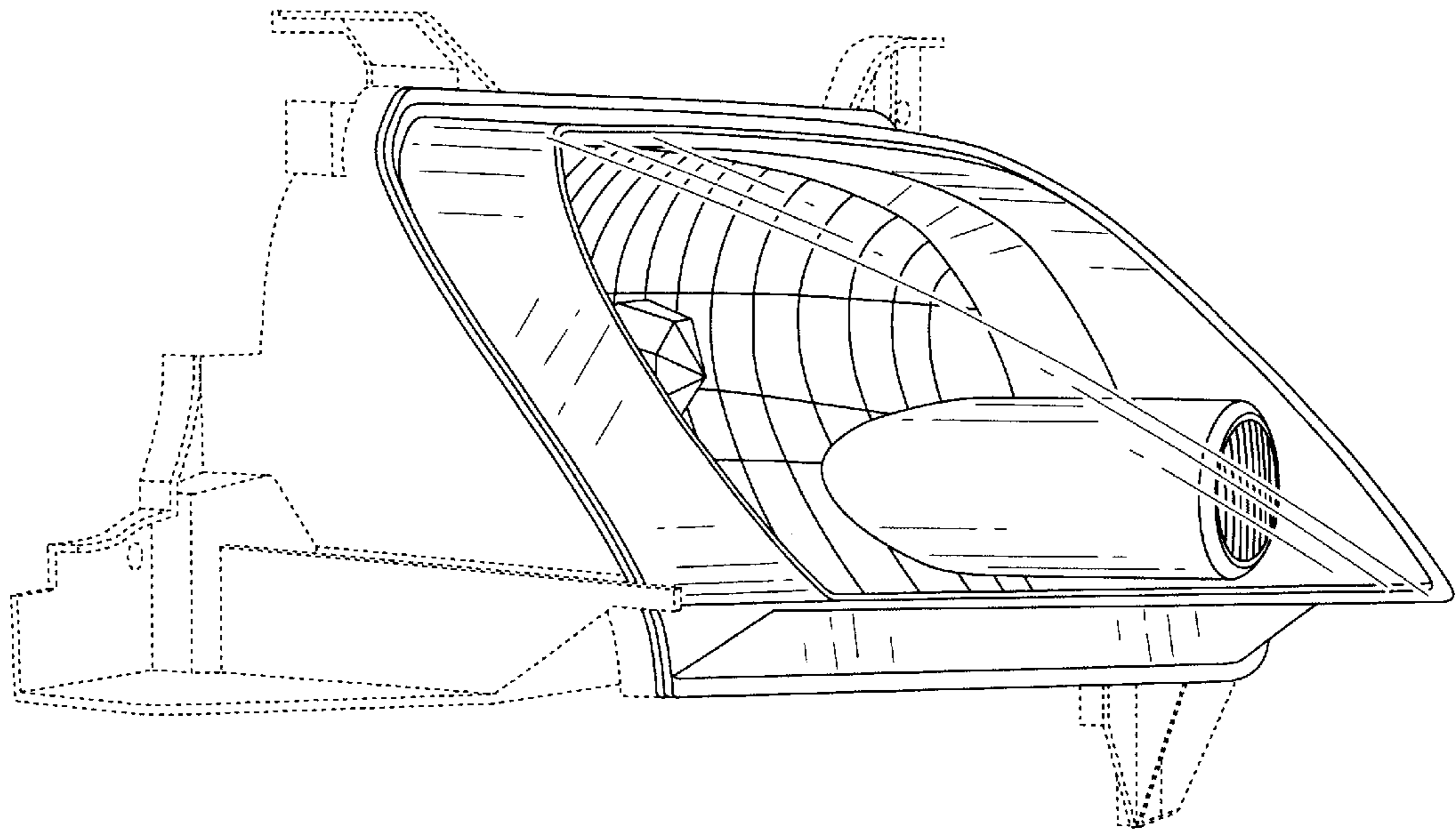


Fig. 1

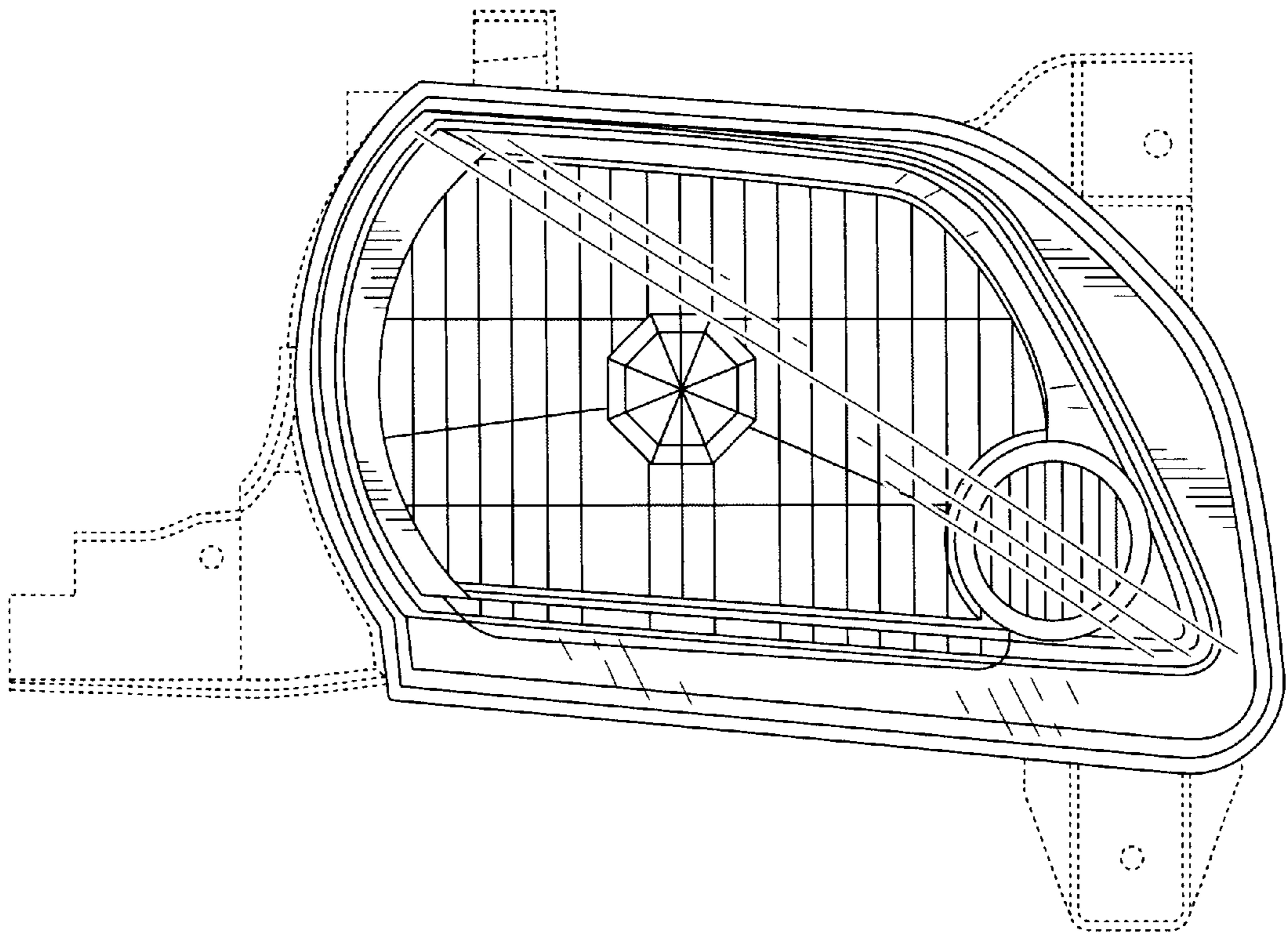


Fig. 2

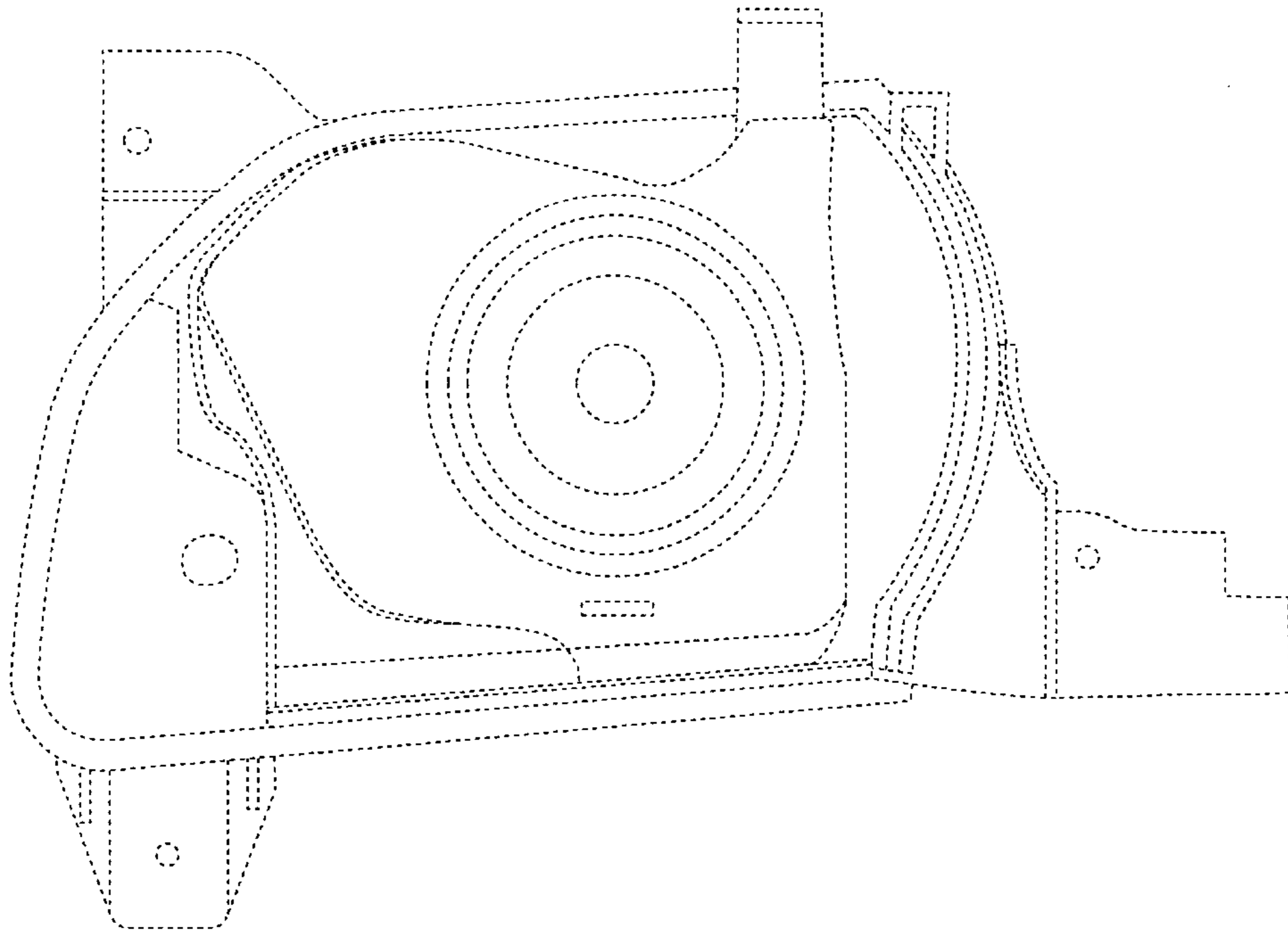


Fig. 3

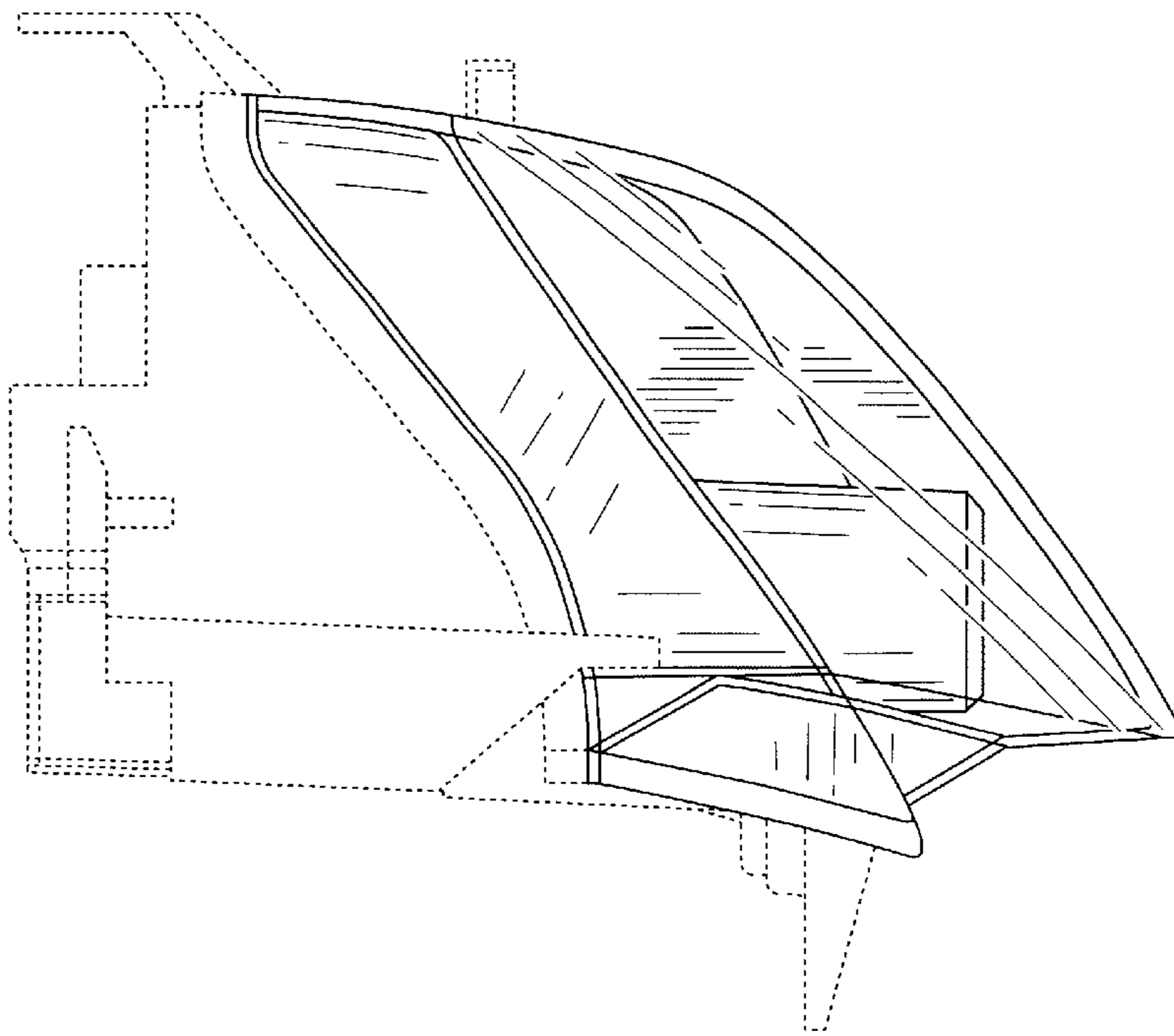


Fig. 4

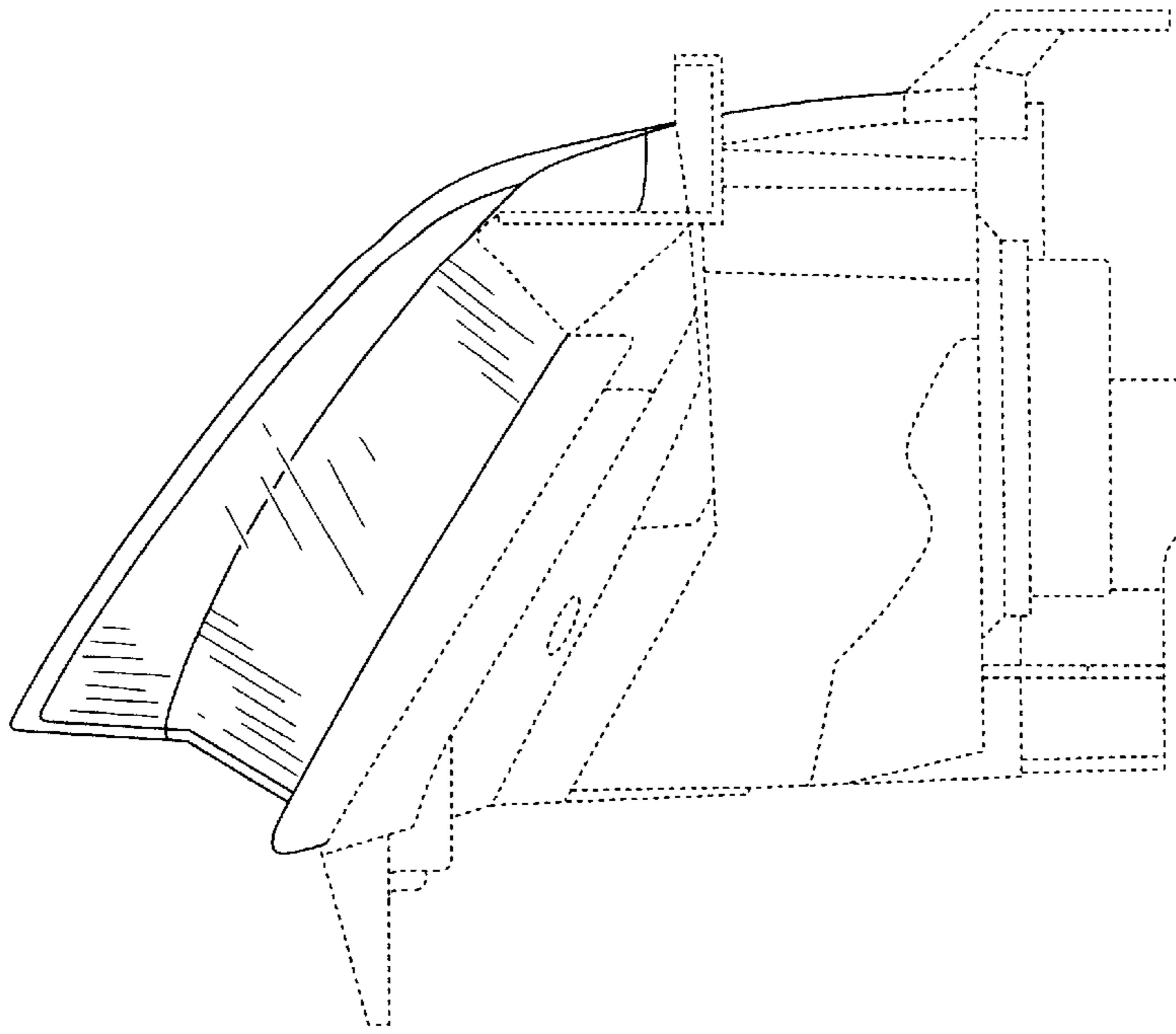


Fig. 5

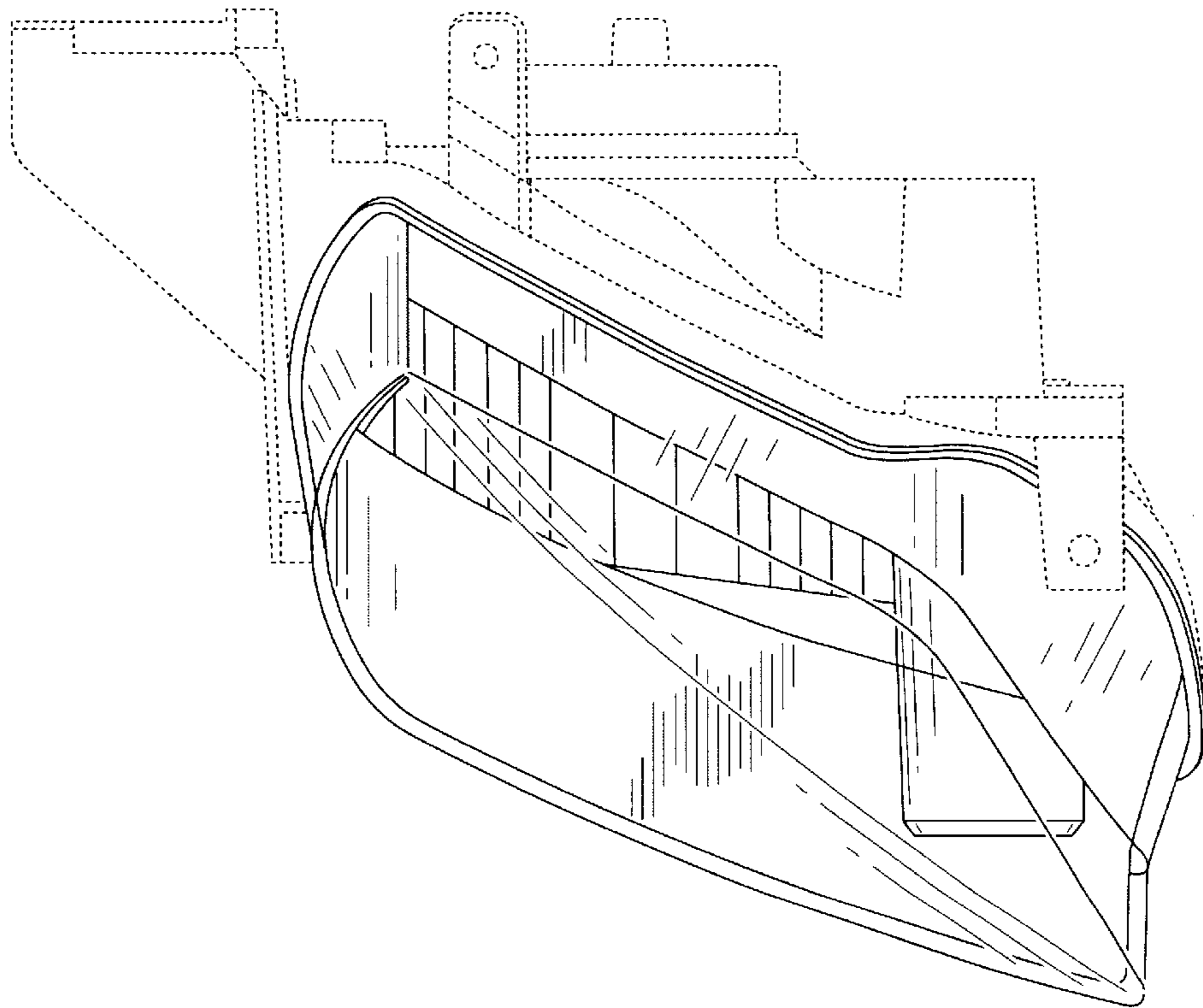


Fig. 6

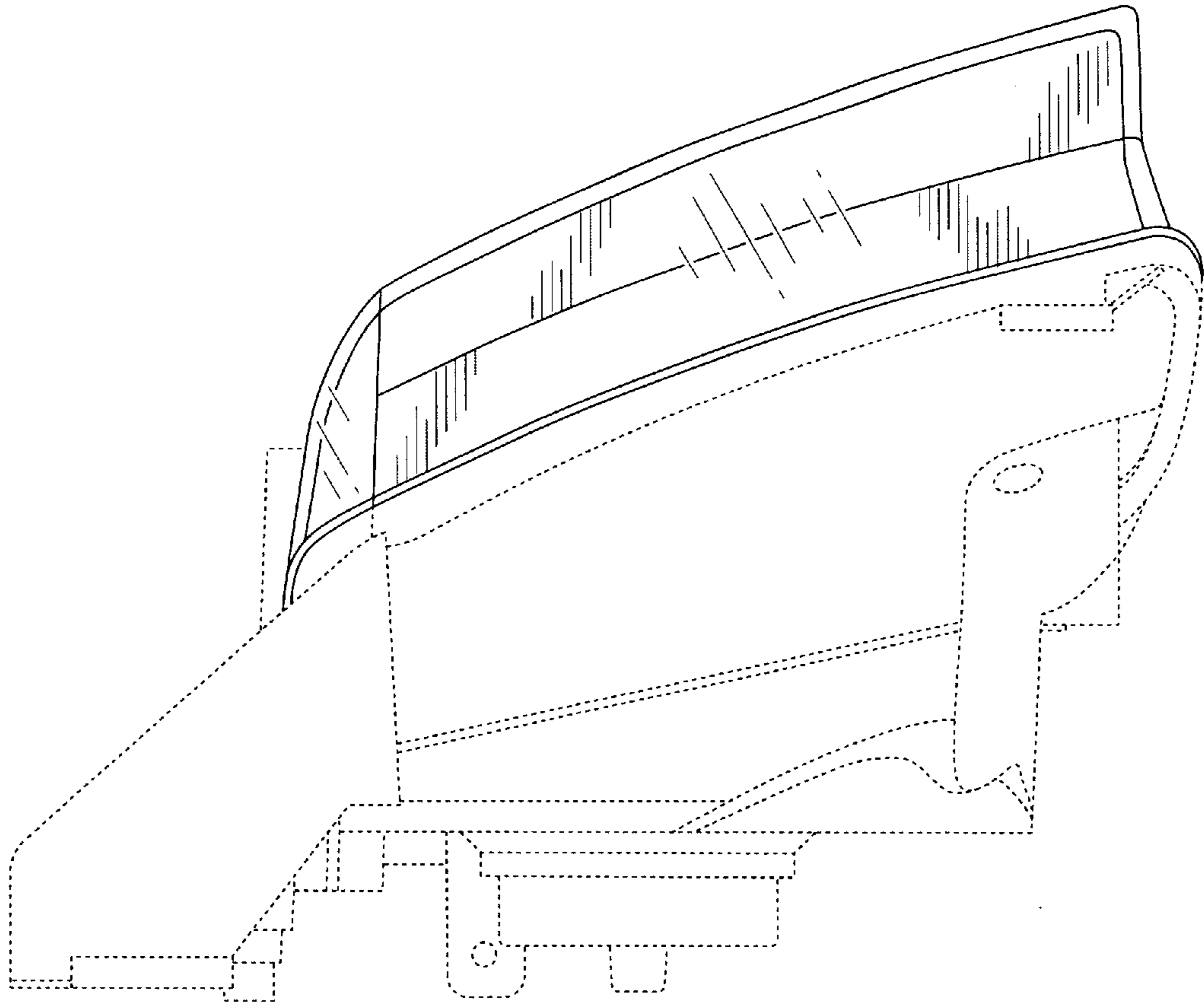


Fig. 7