



US00D471998S

(12) **United States Design Patent**
Cantor et al.

(10) **Patent No.:** **US D471,998 S**

(45) **Date of Patent:** **** Mar. 18, 2003**

(54) **NIGHT LIGHT**

(76) Inventors: **Kenneth Cantor**, 4379 Strathdale, West Bloomfield, MI (US) 48323; **John E. Nemazi**, 4373 Stoneleigh, Bloomfield Hills, MI (US) 48302

(**) Term: **14 Years**

(21) Appl. No.: **29/151,195**

(22) Filed: **Oct. 25, 2001**

(51) **LOC (7) Cl.** **26-05**

(52) **U.S. Cl.** **D26/26**

(58) **Field of Search** D26/26, 4, 7, 32, D26/47, 57, 73, 94, 125, 146, 147, 156; D23/366, 367; 362/147, 404, 226, 95, 276

(56) **References Cited**

U.S. PATENT DOCUMENTS

- D209,219 S * 11/1967 Goldstein et al. D11/157
- D246,934 S * 1/1978 Keller D26/73
- D257,888 S * 1/1981 Perich D26/26
- D311,594 S * 10/1990 Medina D26/47

- D375,810 S * 11/1996 Ham D26/125
- D441,904 S * 5/2001 Westphal D26/94
- D460,203 S * 7/2002 Nemazi D26/26

* cited by examiner

Primary Examiner—Alan P. Douglas

Assistant Examiner—Clare E. Heflin

(74) *Attorney, Agent, or Firm*—Brooks & Kushman P.C.

(57) **CLAIM**

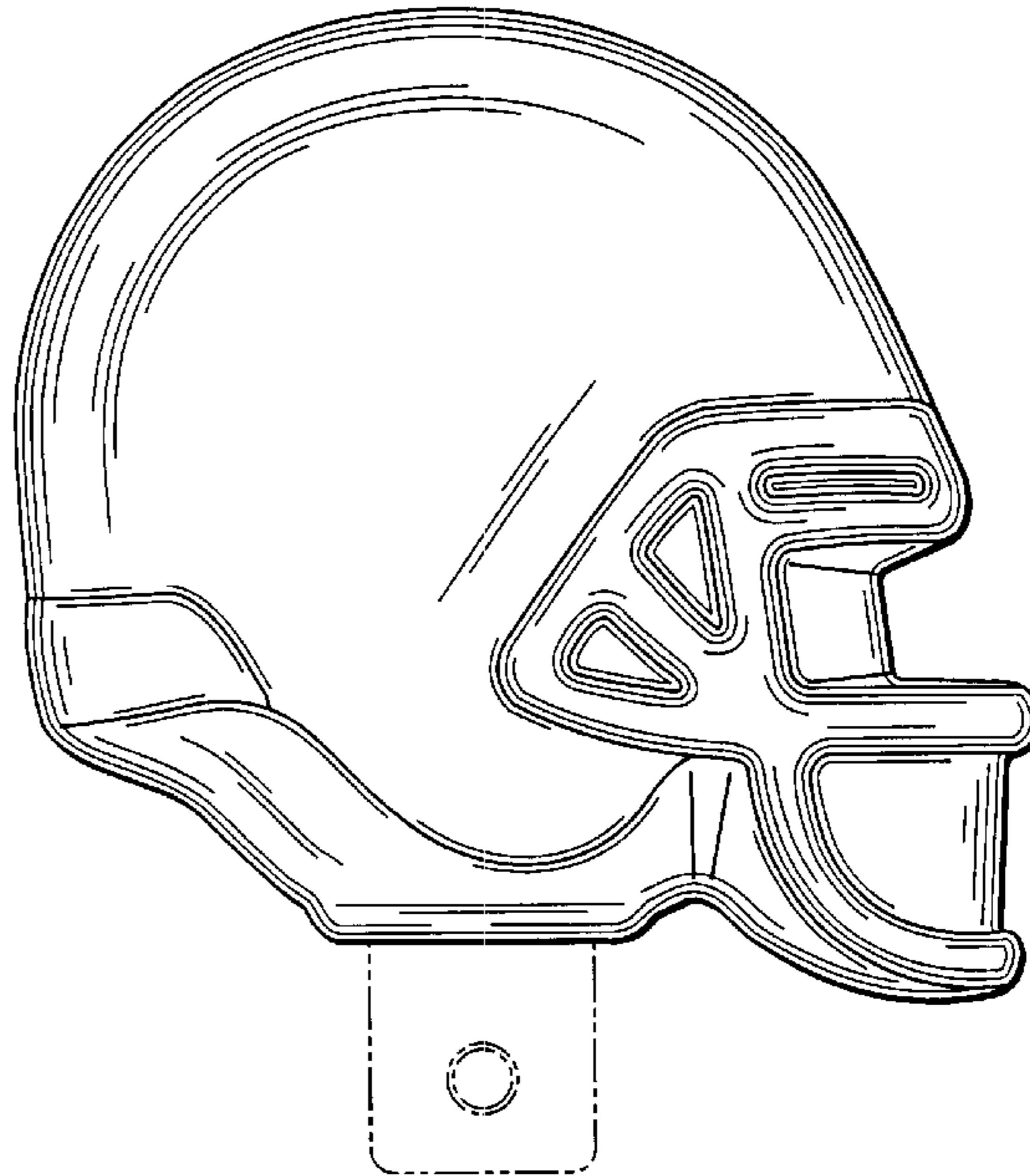
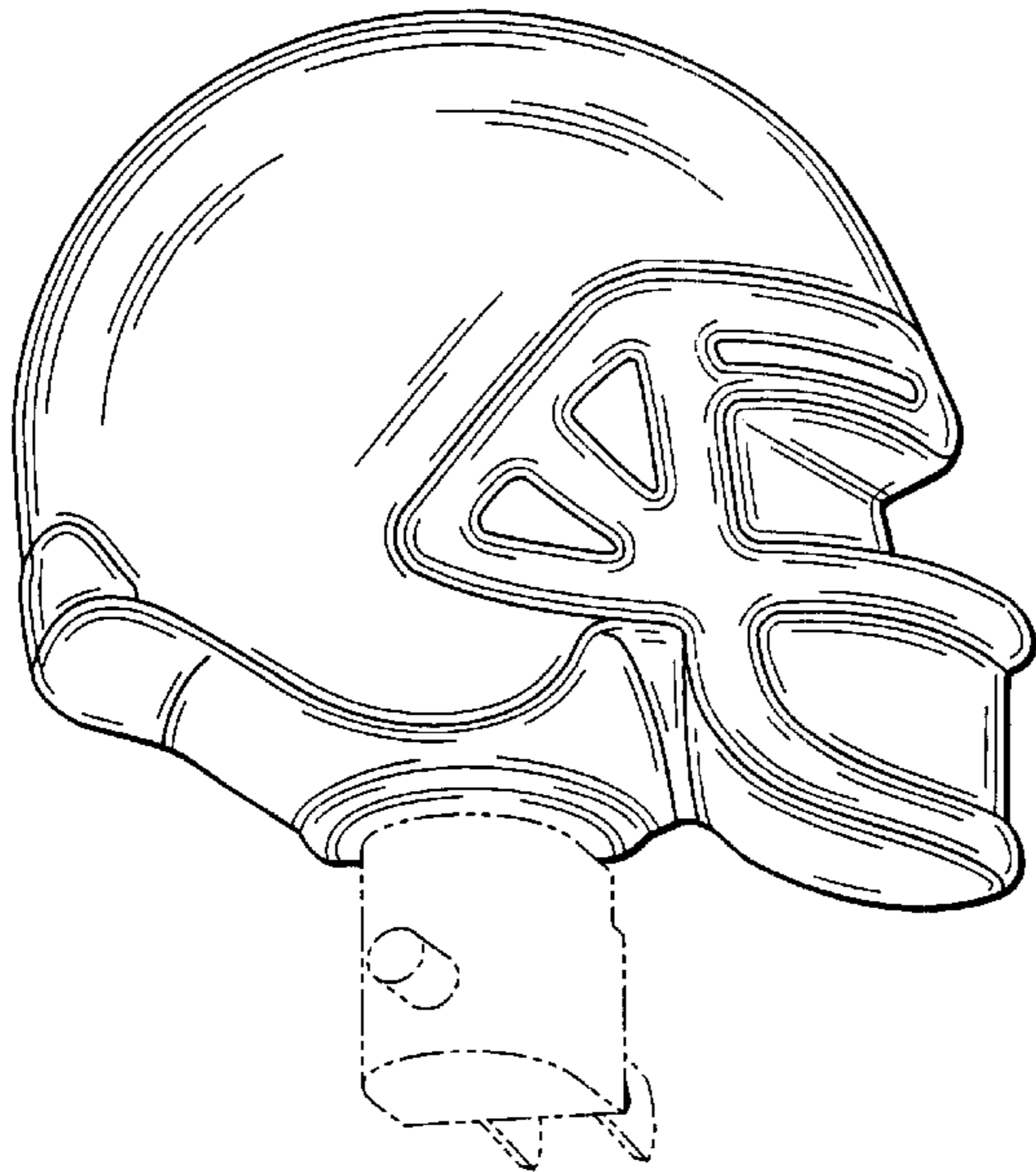
The ornamental design for a night light, as shown and described.

DESCRIPTION

FIG. 1 is a perspective view of a night light; FIG. 2 is a front side elevational view thereof; FIG. 3 is a rear side elevational view thereof; FIG. 4 is a right side elevational view thereof; FIG. 5 is a left side elevational view; FIG. 6 is a top plan view thereof; and, FIG. 7 is a bottom plan view thereof.

The broken lines shown on the drawings are for illustrative purposes only and form no part of the claimed design.

1 Claim, 2 Drawing Sheets



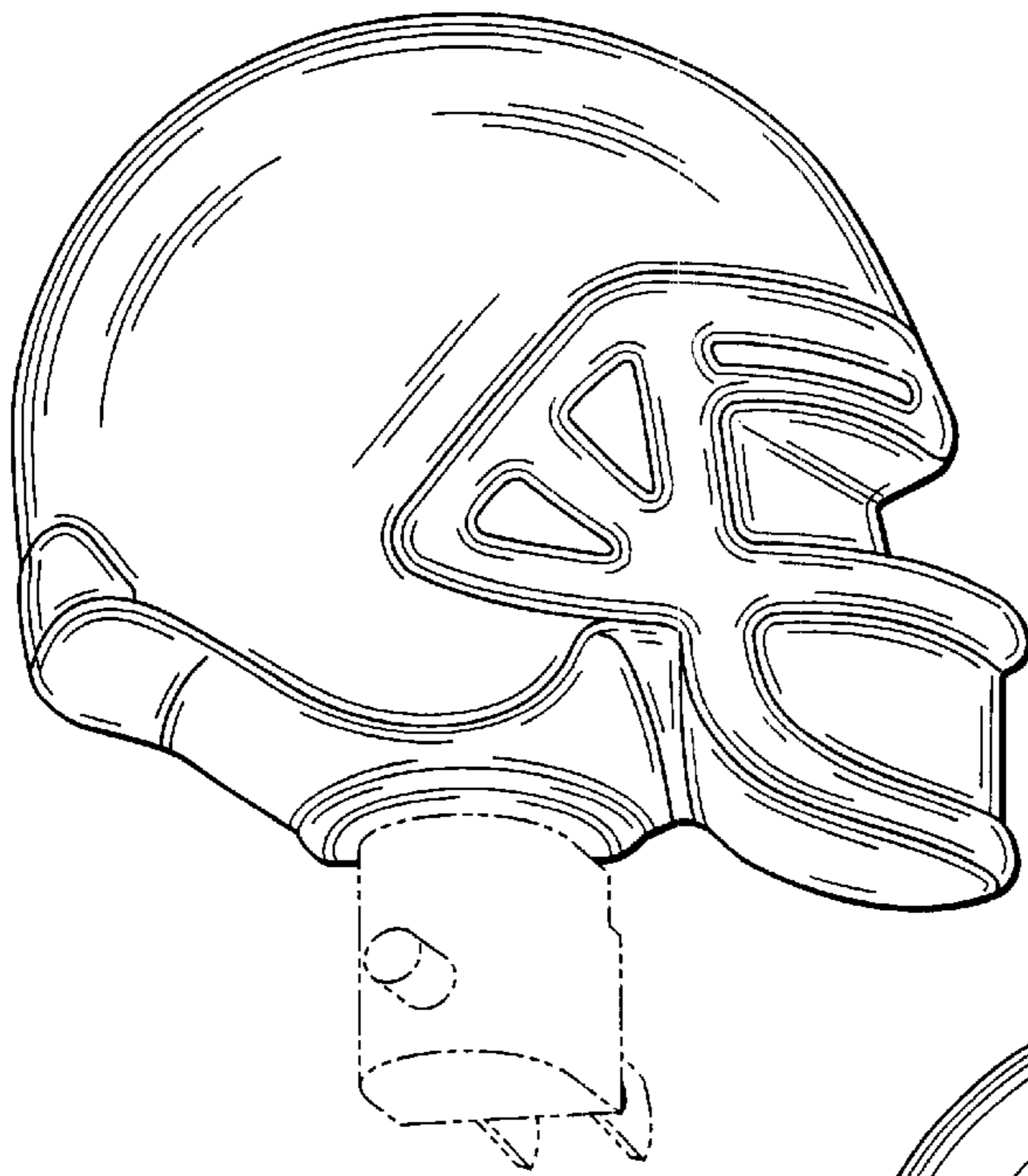


Fig. 1

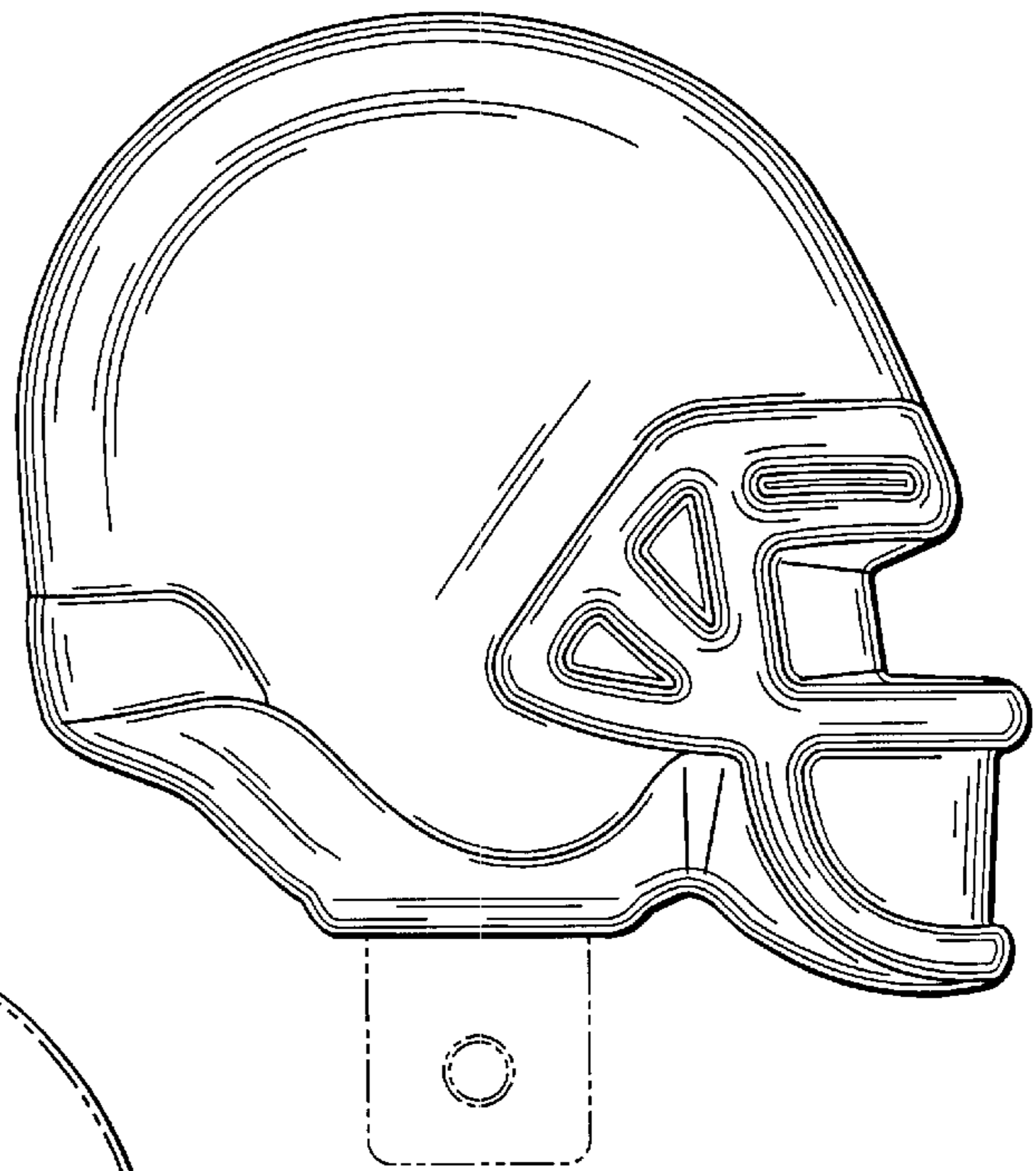


Fig. 2

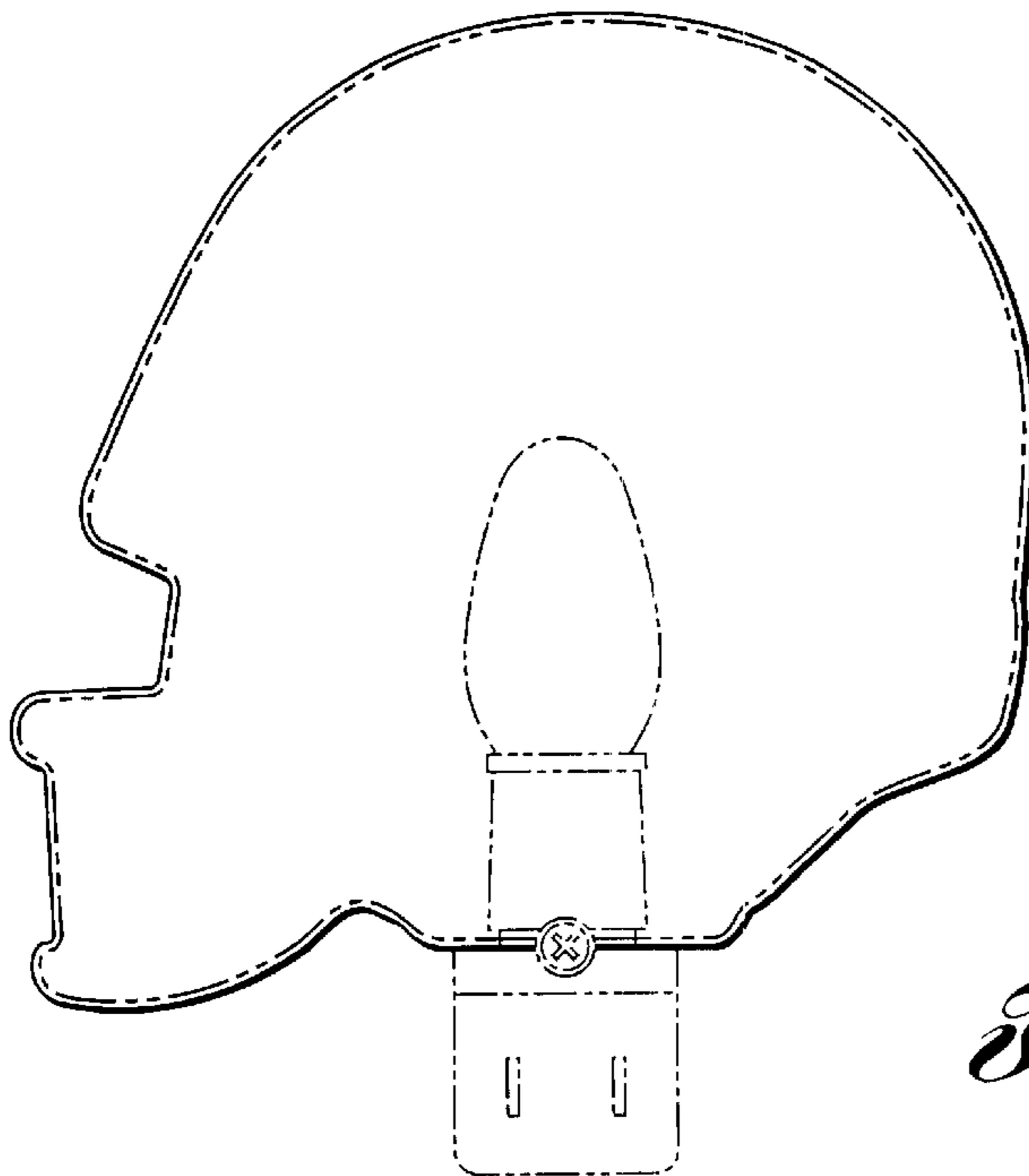


Fig. 3

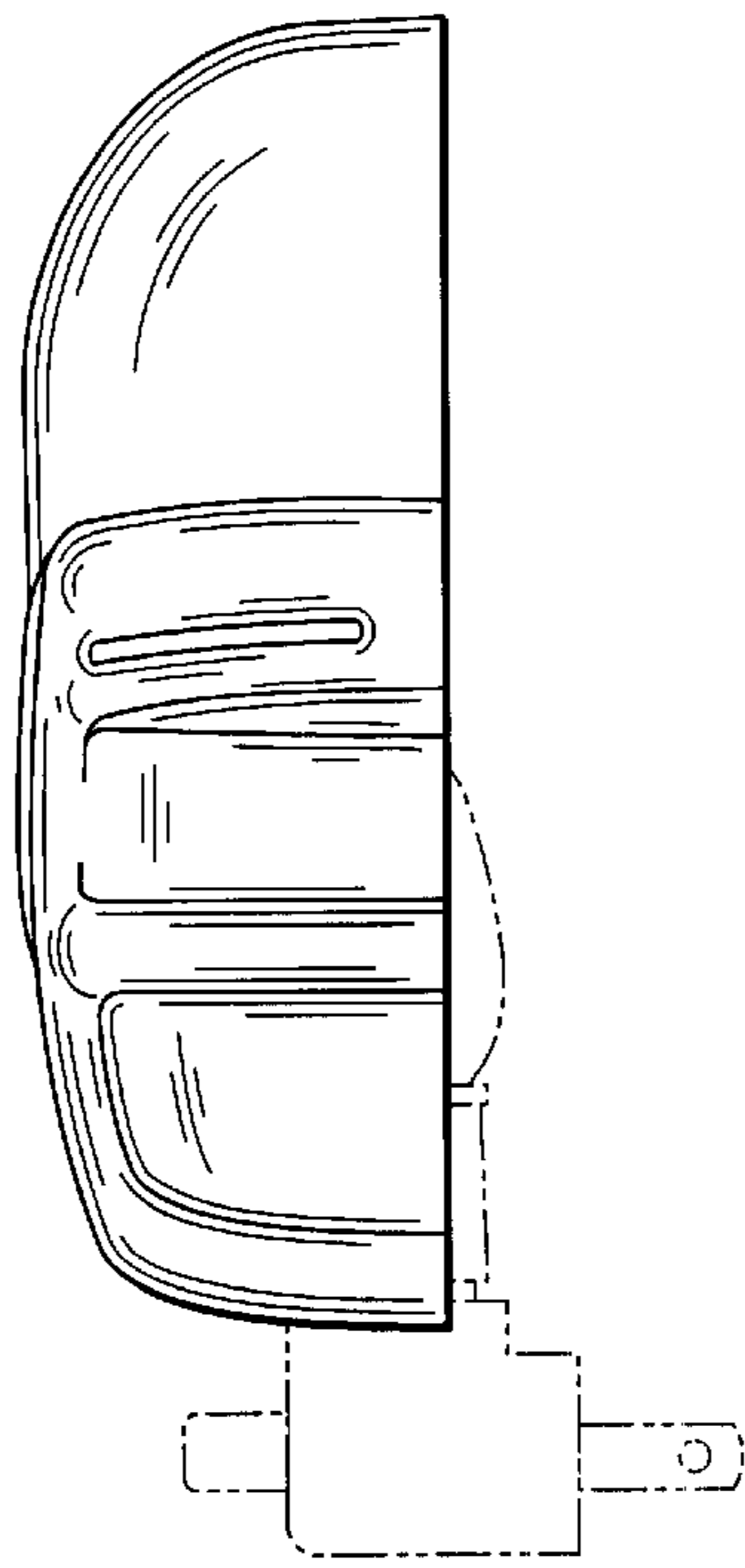


Fig. 4

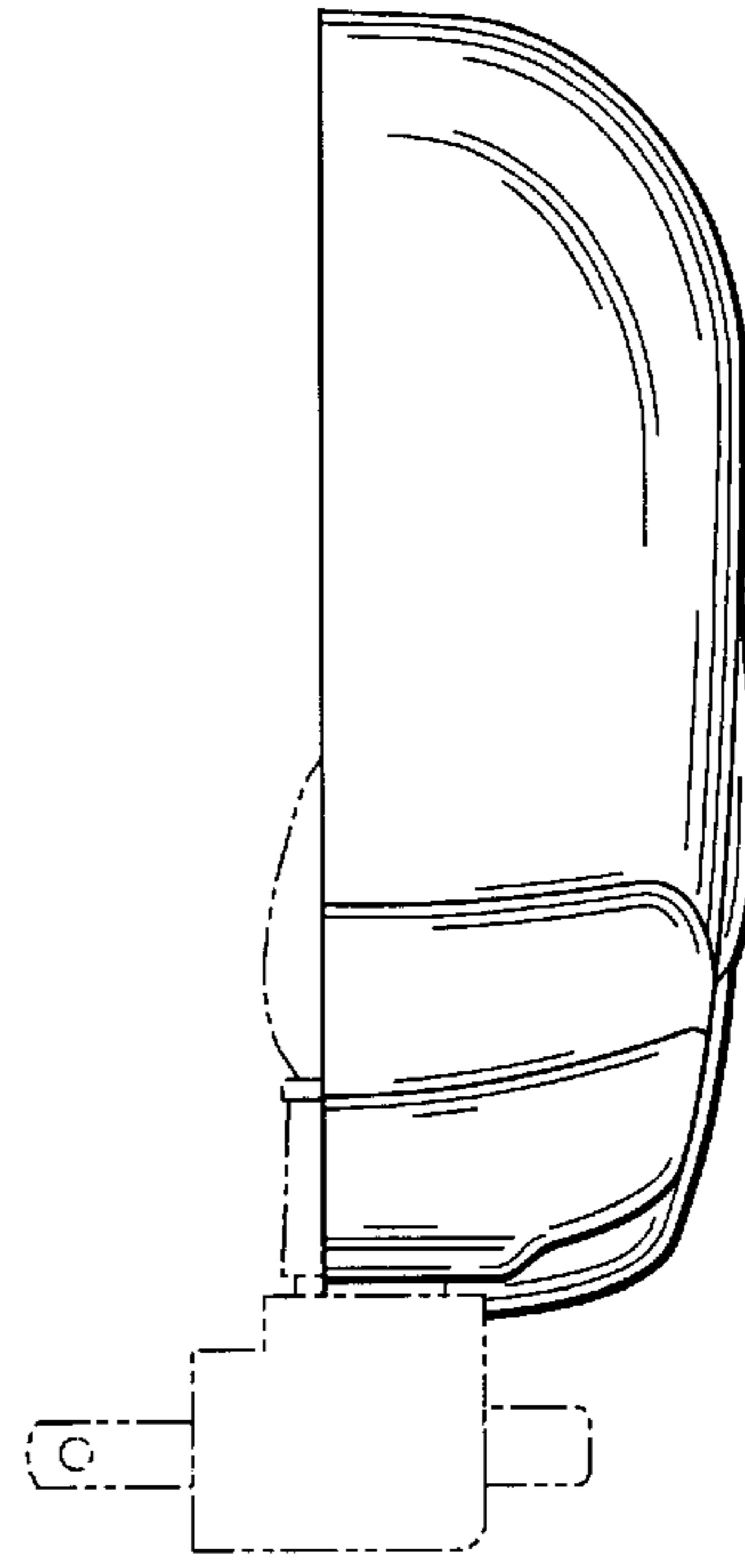


Fig. 5

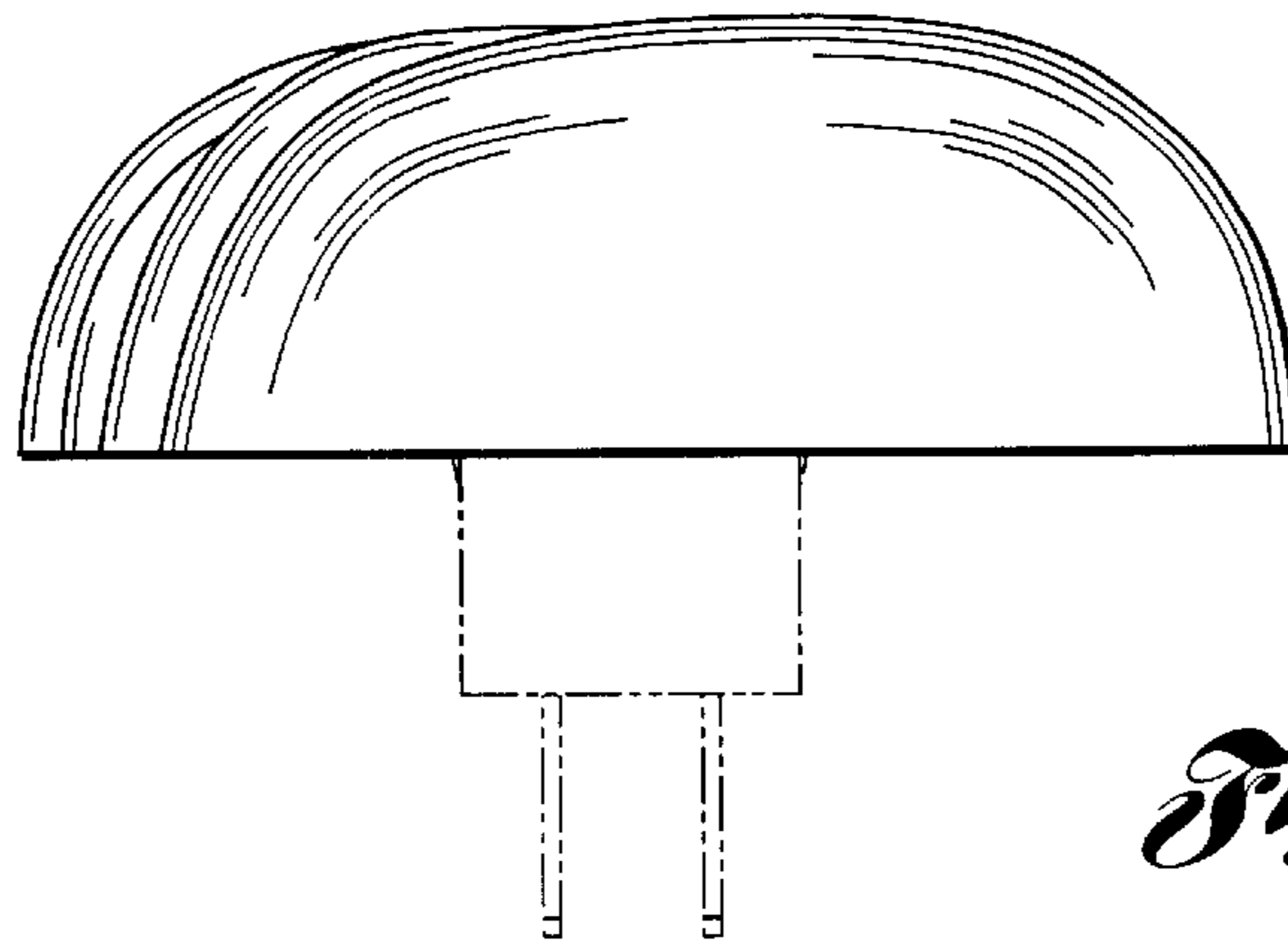


Fig. 6

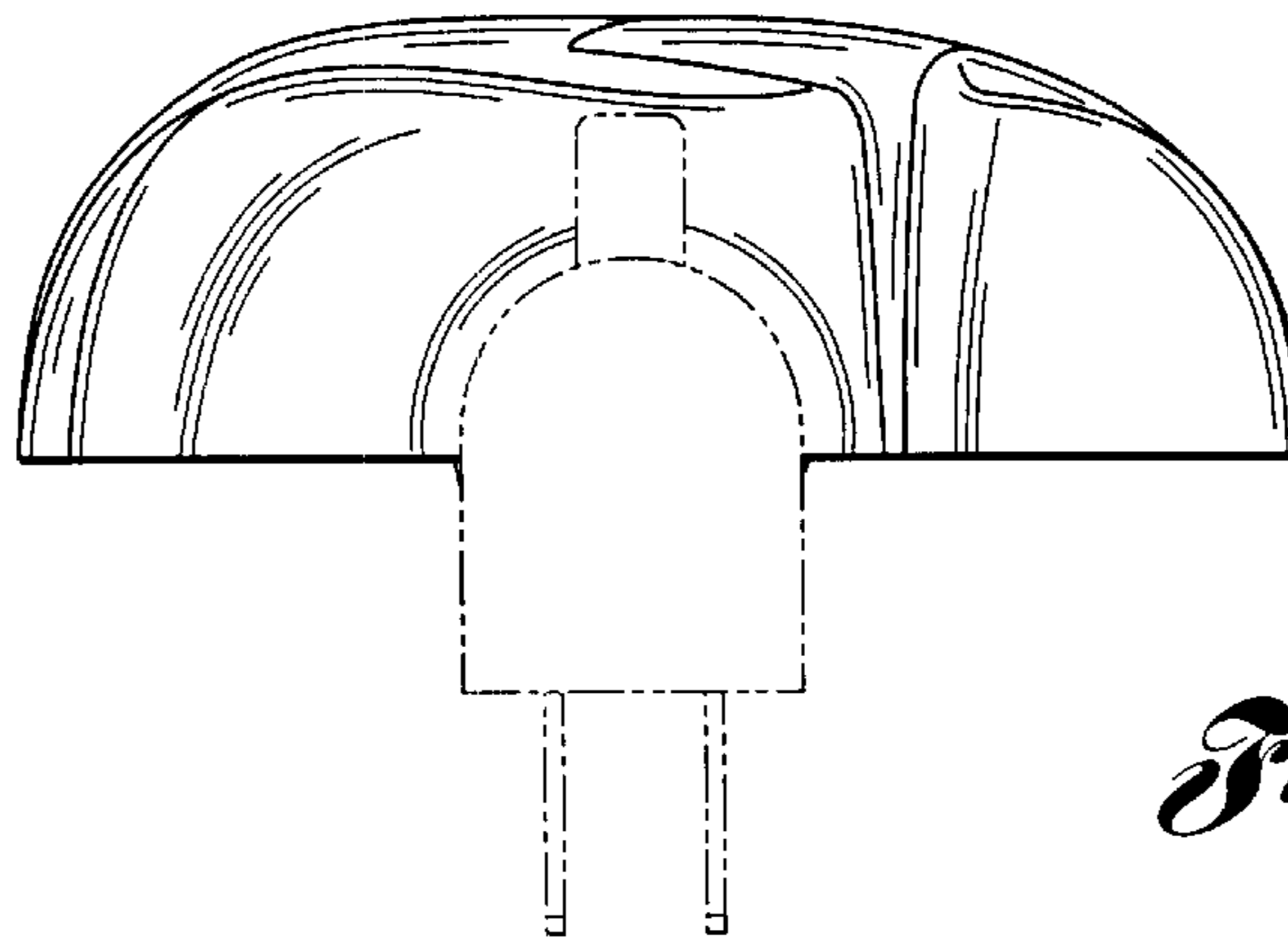


Fig. 7