



US00D471996S

(12) **United States Design Patent**  
**Kuen**

(10) **Patent No.:** **US D471,996 S**

(45) **Date of Patent:** **\*\* Mar. 18, 2003**

(54) **SPARK PLUG LIGHT**

(76) Inventor: **Lam Man Kuen**, Flat H, 17<sup>th</sup> Floor,  
Block 3, City Garden, North Point (HK)

(\*\*) Term: **14 Years**

(21) Appl. No.: **29/120,659**

(22) Filed: **Mar. 23, 2000**

(51) **LOC (7) Cl.** ..... **26-06**

(52) **U.S. Cl.** ..... **D26/4**

(58) **Field of Search** ..... D26/1, 2, 3, 4,  
D26/26; 362/122, 124, 126, 806; 313/313,  
315, 317, 318; D12/220

(56) **References Cited**

**U.S. PATENT DOCUMENTS**

3,148,835 A \* 9/1964 Horelick ..... D26/4

D304,243 S \* 10/1989 Zwald ..... D26/4

D370,282 S \* 5/1996 Grether ..... D26/4

D407,163 S \* 3/1999 Berkowitz ..... D26/4

\* cited by examiner

*Primary Examiner*—Marcus A. Jackson

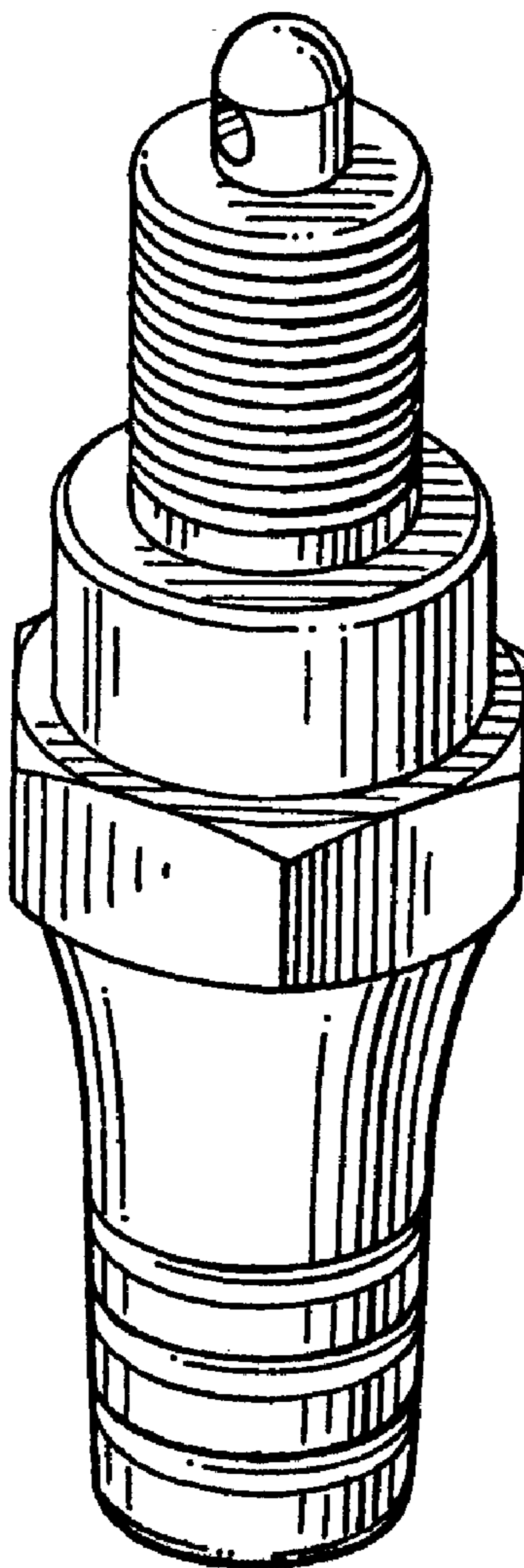
(57) **CLAIM**

The ornamental design for the spark plug light, as shown and described.

**DESCRIPTION**

FIG. 1 is a top plan view of the spark plug light;  
FIG. 2 is a left side elevational view of the spark plug light;  
FIG. 3 is a front elevational view of the spark plug light;  
FIG. 4 is a right side elevational view of the spark plug light;  
FIG. 5 is a bottom plan view of the spark plug light; and,  
FIG. 6 is a perspective view of the spark plug light.

**1 Claim, 1 Drawing Sheet**



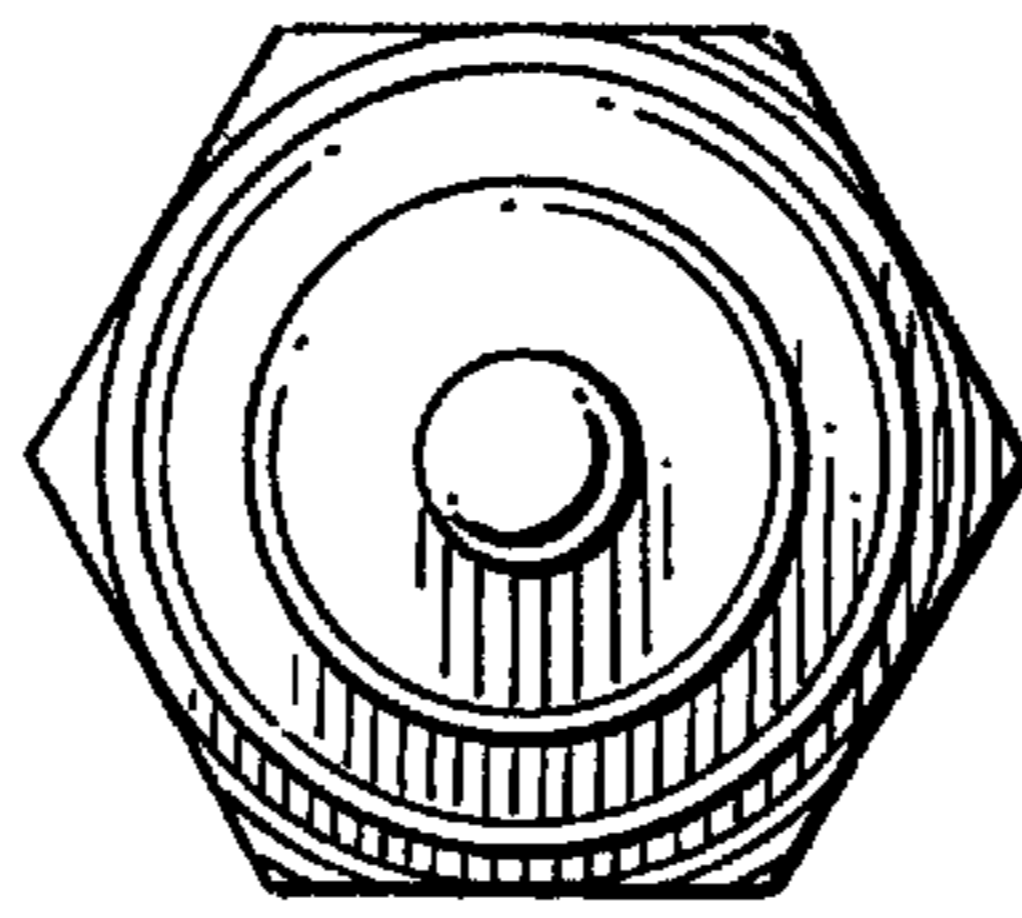


FIG. 1

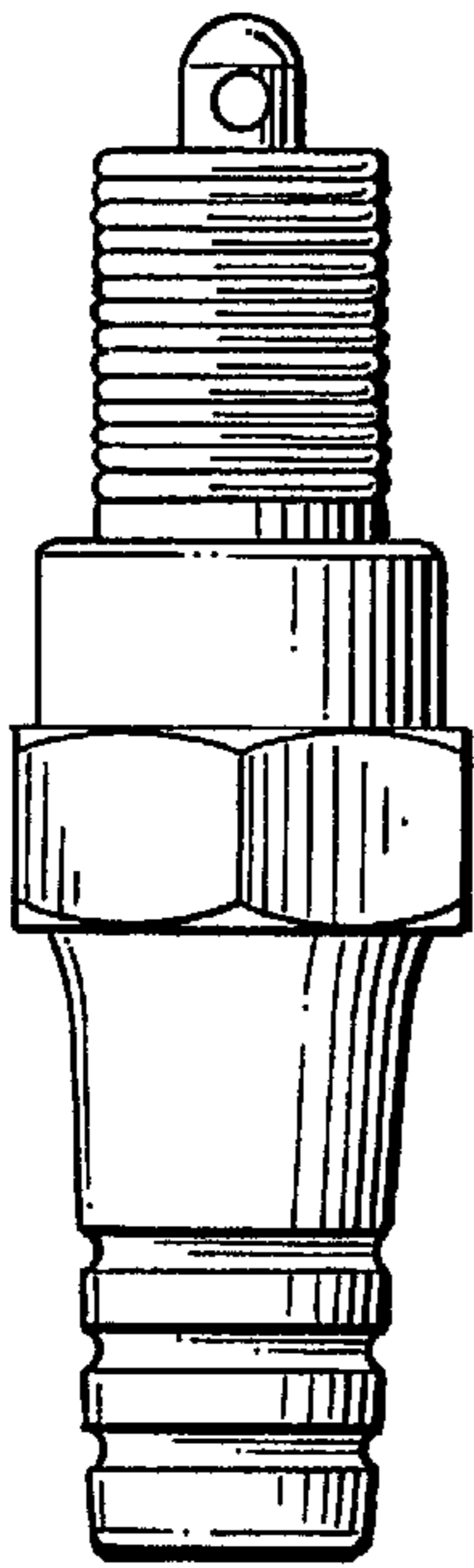


FIG. 2

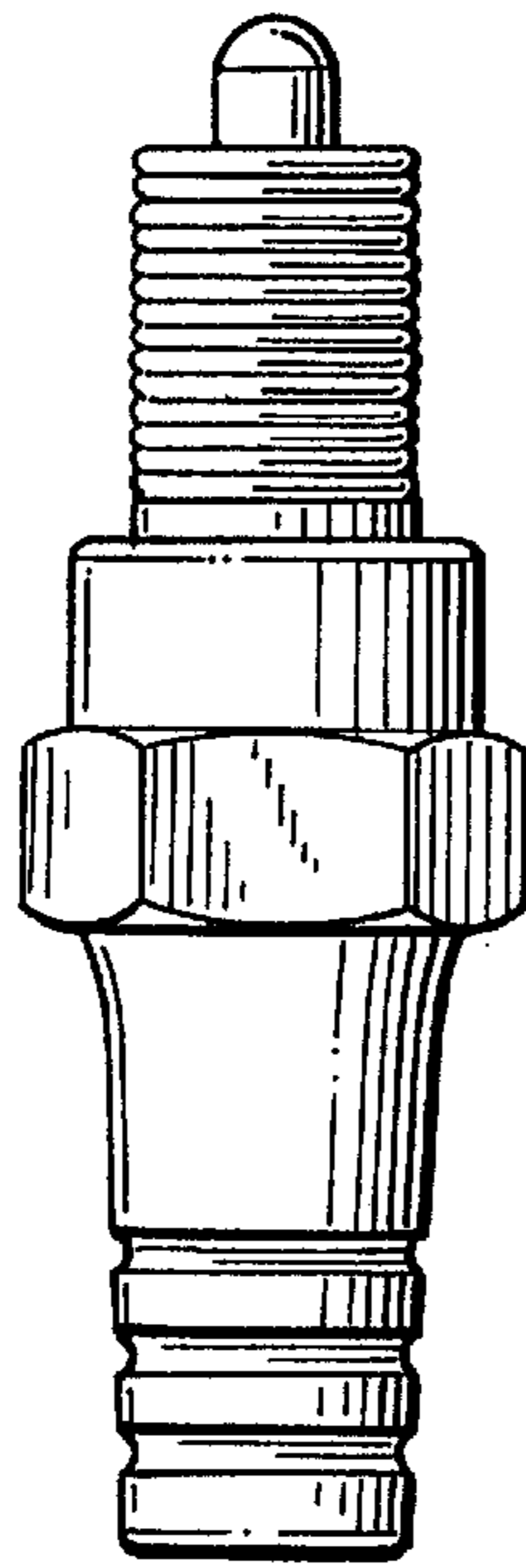


FIG. 3

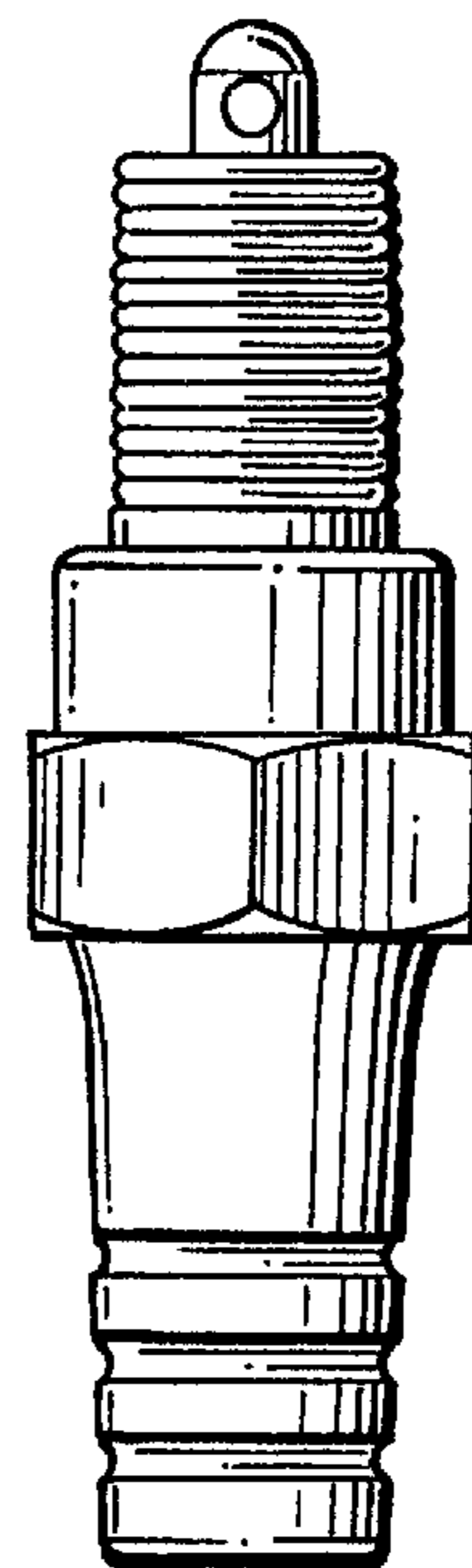


FIG. 4

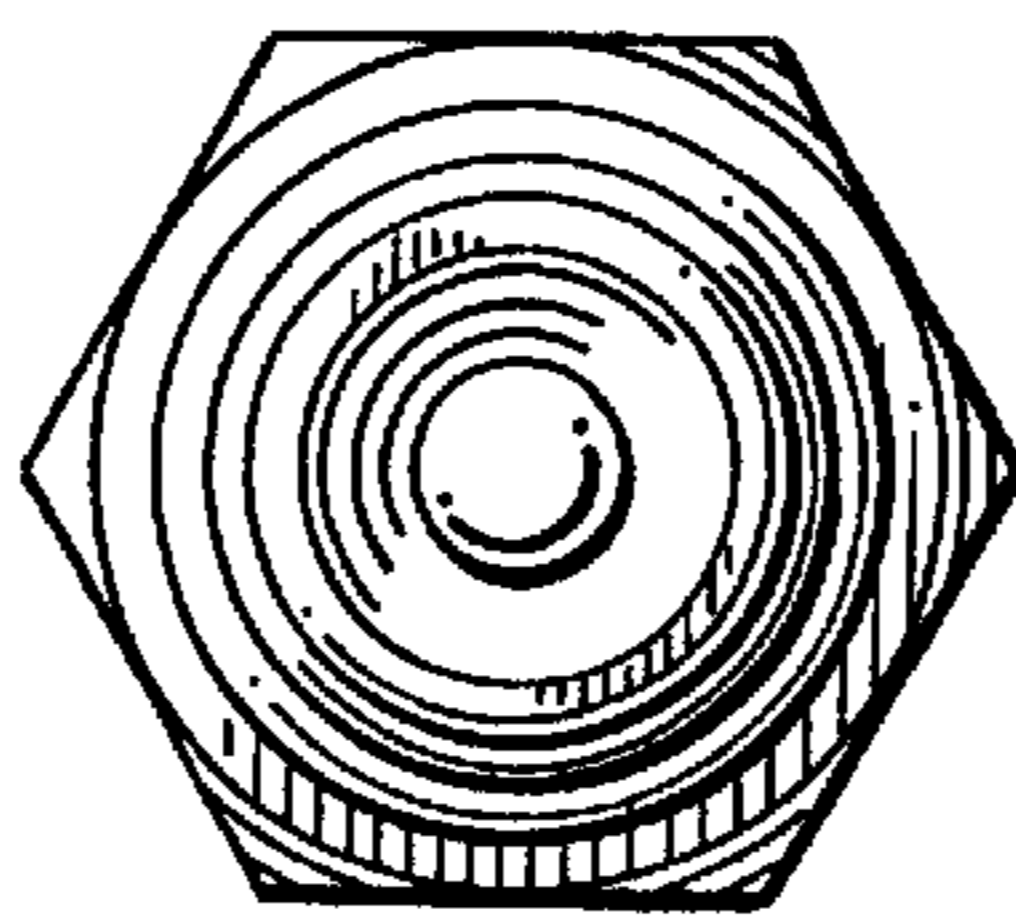


FIG. 5

FIG. 6

