



US00D471992S

(12) **United States Design Patent**
Hughes et al.

(10) **Patent No.:** **US D471,992 S**
(45) **Date of Patent:** **** Mar. 18, 2003**

(54) **FENCE POST**

(75) Inventors: **Roderick E. Hughes**, Newport Beach, CA (US); **Kevin Fidati**, Fayetteville, GA (US); **Joe Schiff**, Peachtree City, GA (US); **Jack Cuttle**, Fairburn, GA (US); **George Vuduris**, Peachtree City, GA (US)

5,706,620 A	1/1998	De Zen
5,743,986 A	4/1998	Colombo
5,883,191 A	3/1999	Hughes
D409,869 S	5/1999	Marusak
5,953,878 A	9/1999	Johnson
6,039,307 A	3/2000	De Zen
D426,320 S	6/2000	Andres
6,133,349 A	10/2000	Hughes

(73) Assignees: **Extrutech International, Inc.**, Costa Mesa, CA (US); **Tri-Ex Composites, Incorporated**, Newnan, GA (US)

(**) Term: **14 Years**

(21) Appl. No.: **29/135,695**

(22) Filed: **Jan. 16, 2001**

(51) **LOC (7) Cl.** **25-01**

(52) **U.S. Cl.** **D25/122; D25/126**

(58) **Field of Search** D25/126, 124,
D25/122; 256/65, DIG. 5; 52/301, 720.1,
721.2, 726.3, 736.1

(56) **References Cited**

U.S. PATENT DOCUMENTS

3,489,392 A	*	1/1970	Thom	256/65
3,554,494 A		1/1971	Bee	
4,208,175 A		6/1980	Rosenbaum	
4,453,357 A		6/1984	Zwilgmeyer	
4,514,449 A		4/1985	Budich et al.	
4,610,902 A		9/1986	Eastman	
4,746,688 A		5/1988	Bistak et al.	
4,972,537 A		11/1990	Slaw, Sr.	
5,077,948 A		1/1992	Olson et al.	
5,100,109 A		3/1992	Robbins, III	
5,329,741 A		7/1994	Nicolaidis et al.	
5,404,685 A		4/1995	Collins	
5,416,139 A		5/1995	Zeiszler	
5,418,028 A		5/1995	DeWitt	

OTHER PUBLICATIONS

Hughes, application Ser. #09/488,172, filed Jan. 20, 2000.
Hughes, application Ser. #09/488,287, filed Jan. 20, 2000.
Hughes, application Ser. #09/135,696, filed Jan. 16, 2001.
Hughes, application Ser. #29/135,708, filed Jan. 16, 2001.
Hughes, application Ser. #09/761,331, filed Jan. 16, 2001.

* cited by examiner

Primary Examiner—Doris Clark

(74) *Attorney, Agent, or Firm*—Stout, Uxa, Buyan & Mullins, LLP; Frank J. Uxa

(57) **CLAIM**

The ornamental design for fence post, as shown and described.

DESCRIPTION

FIG. 1 is a perspective view showing the top, front and left side of the fence post.

FIG. 2 is a view showing the back of the fence post of the present invention.

FIG. 3 is an elevation view showing the top, bottom, left side and right side of the fence post of the present invention; and, FIG. 4 is an enlargement of area 4 of FIG. 2 of the fence post of the present invention.

In the drawings showing a length of the fence post, the fence post has been broken in the center indicating indefinite length.

1 Claim, 1 Drawing Sheet

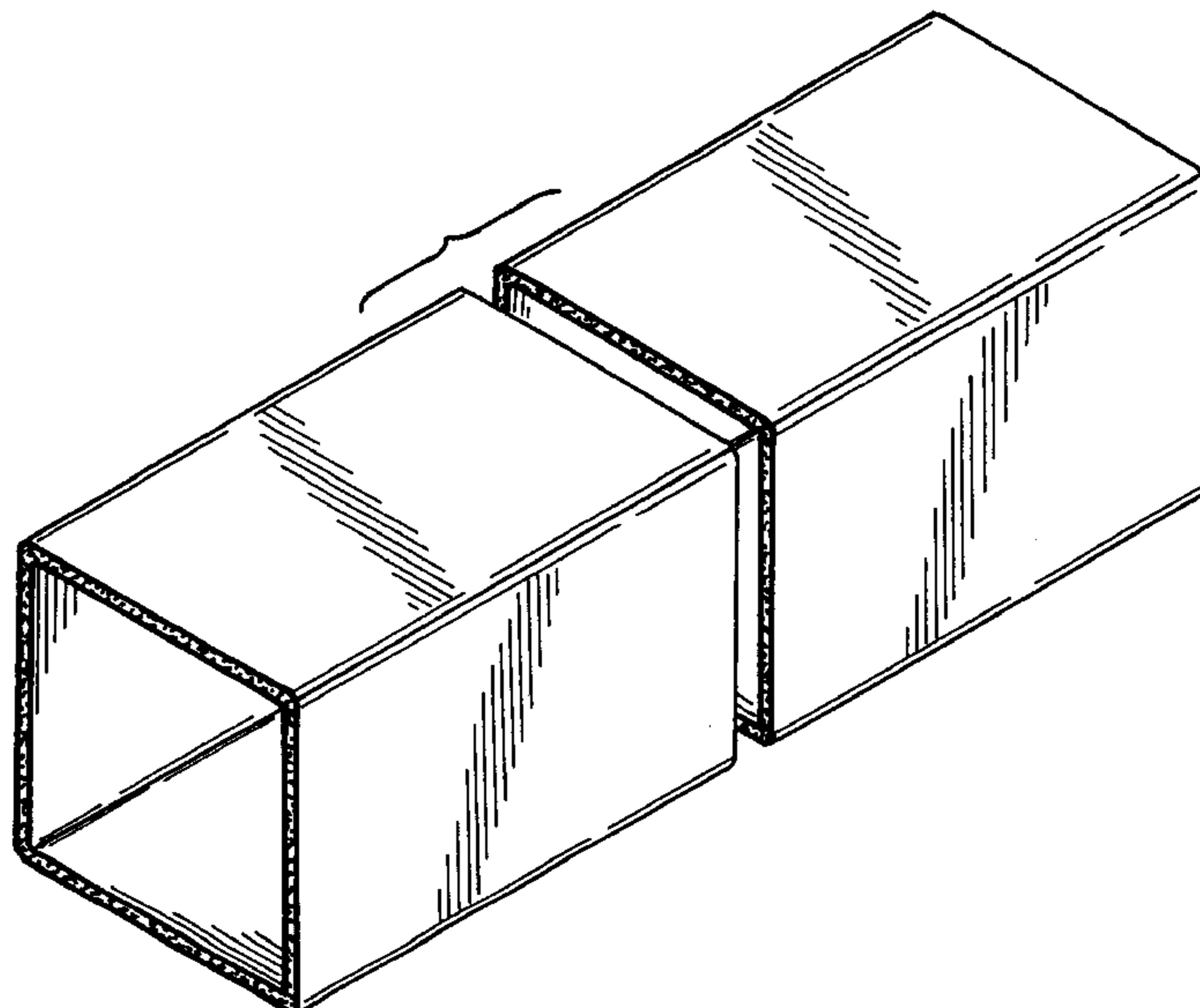


FIG. 1

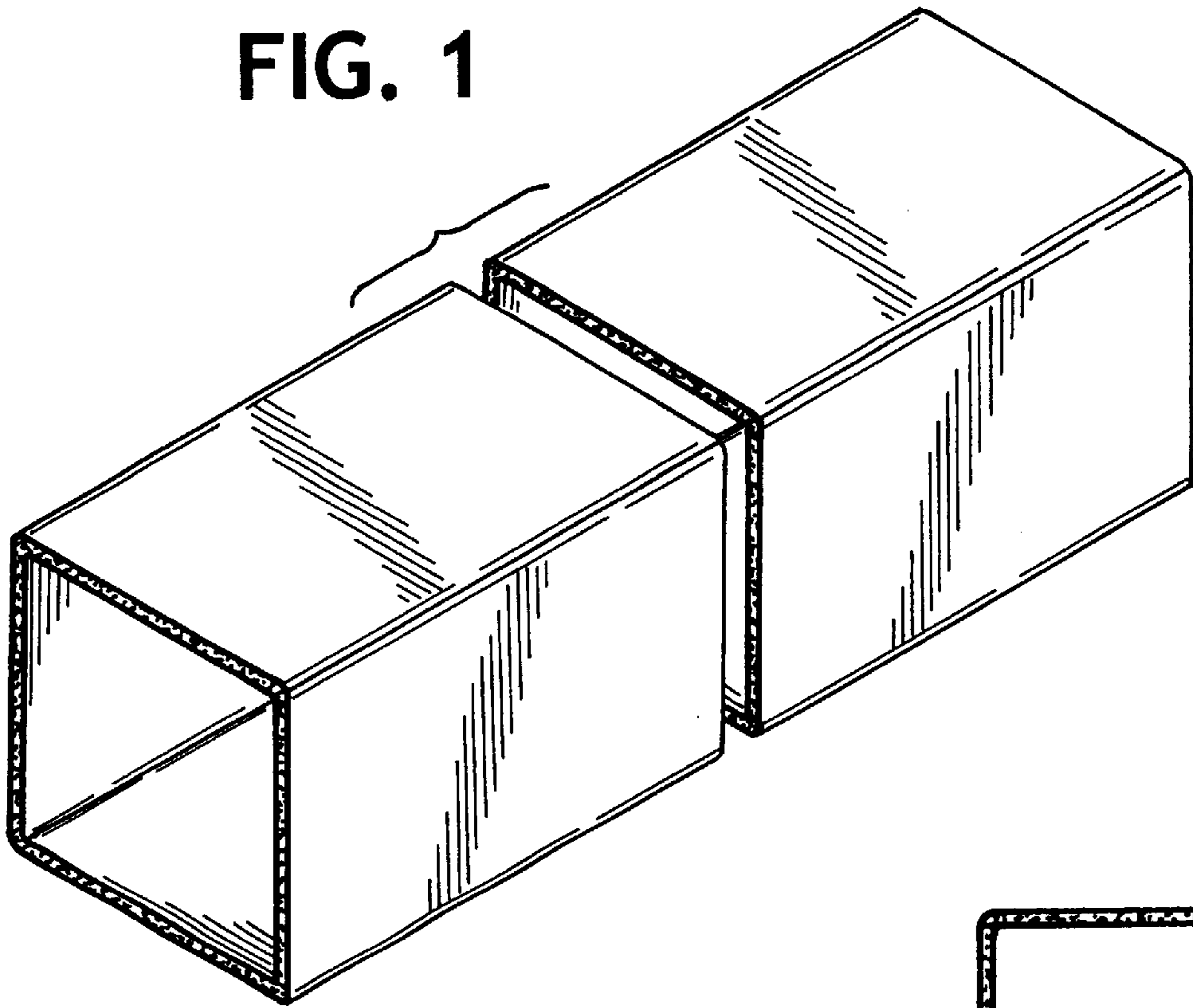


FIG. 2

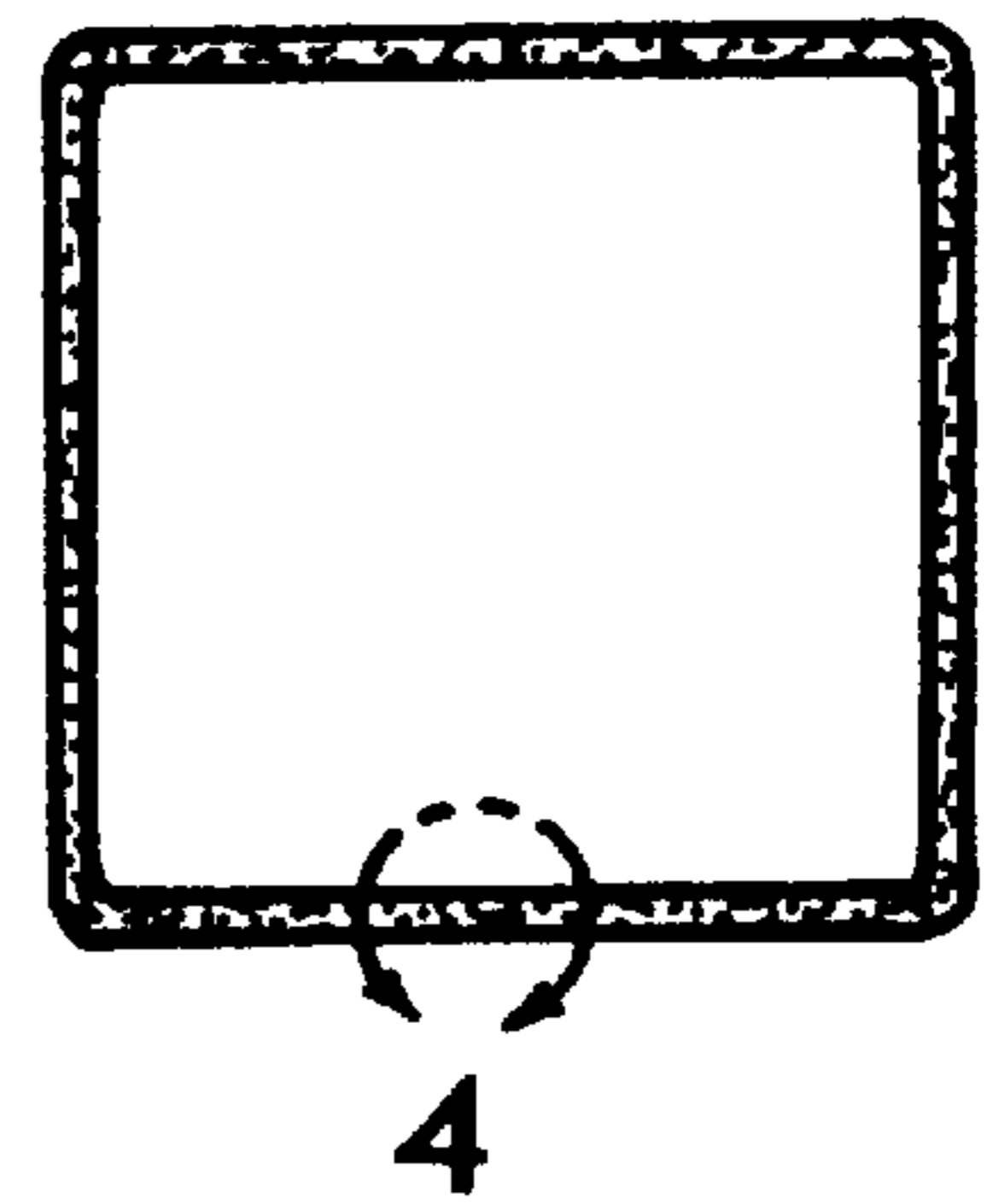


FIG. 3

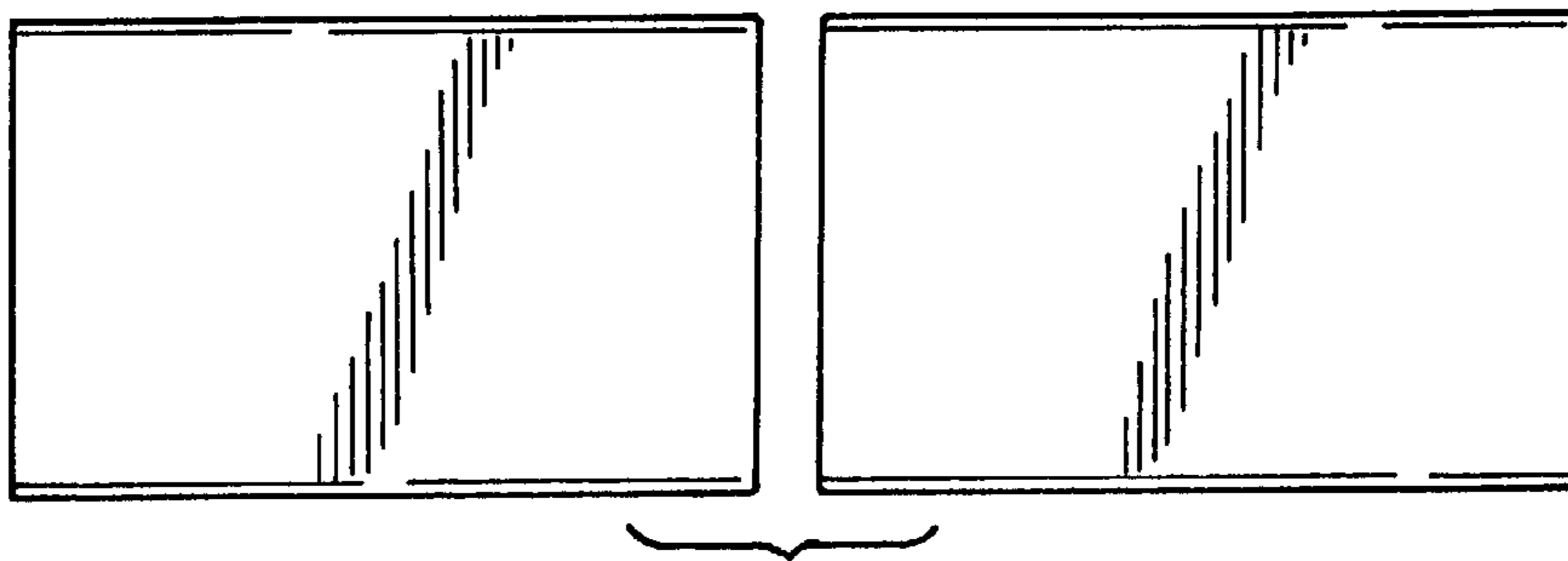


FIG. 4

