



US00D471991S

(12) **United States Design Patent**  
**Maylon et al.**

(10) **Patent No.:** **US D471,991 S**

(45) **Date of Patent:** **\*\* Mar. 18, 2003**

(54) **STUCCO CASING BEAD**

(75) Inventors: **Gary Joseph Maylon**, Trussville, AL (US); **Gary James Chenier, Jr.**, Winter Haven, FL (US); **Michael Wade Goodwin**, Lakeland, FL (US); **Melvin J. Kurpinski**, Ft. Lauderdale, FL (US)

(73) Assignee: **Alabama Metal Industries Corporation**, Birmingham, AL (US)

(\*\*) Term: **14 Years**

(21) Appl. No.: **29/156,923**

(22) Filed: **Mar. 8, 2002**

(51) **LOC (7) Cl.** ..... **25-01**

(52) **U.S. Cl.** ..... **D25/119**

(58) **Field of Search** ..... *52/256, 255, 257; D25/124*

(56) **References Cited**

**U.S. PATENT DOCUMENTS**

D26,201 S	10/1896	Turner	
1,170,968 A	2/1916	Elgin	
1,204,955 A	11/1916	Day	
2,151,605 A	3/1939	Lavering	
2,272,762 A	2/1942	Awbrey	
3,375,623 A	4/1968	Buhler	
3,383,818 A	5/1968	Tatum	
3,606,714 A	9/1971	Arnett	
3,667,174 A	6/1972	Arnett	
3,754,367 A *	8/1973	O'Konski et al. ....	52/255
3,964,220 A	6/1976	Rutkowski et al.	
4,624,087 A *	11/1986	Schneller .....	52/255
4,651,488 A	3/1987	Nicholas et al.	
4,785,601 A	11/1988	Tupman	
D299,963 S *	2/1989	Callahan .....	D25/119
5,063,720 A	11/1991	Bifano et al.	
5,263,294 A	11/1993	Koenig et al.	

D344,596 S	2/1994	McArthur
5,423,154 A	6/1995	Maylon et al.
5,579,623 A	12/1996	Stark et al.
5,761,866 A	6/1998	Maylon

**OTHER PUBLICATIONS**

U.S. Design patent application Ser. No. 29/133,649; Filed Dec. 1, 2000; entitled *Stucco Reveal*; Inventors: Maylon et al.

U.S. patent application Ser. No. 10/007,249; Filed Nov. 13, 2001; entitled *Contoured Stucco Reveal*; Inventors: Maylon et al.

\* cited by examiner

*Primary Examiner*—Doris Clark

(74) *Attorney, Agent, or Firm*—Alston & Bird LLP

(57) **CLAIM**

The ornamental design for a stucco casing bead, as shown and described.

**DESCRIPTION**

FIG. 1 is a perspective view of a new stucco casing bead; FIG. 2 is a top plan view of the stucco casing bead shown in FIG. 1;

FIG. 3 is a bottom plan view of the stucco casing bead shown in FIG. 1;

FIG. 4 is a rear elevational view of the stucco casing bead shown in FIG. 1;

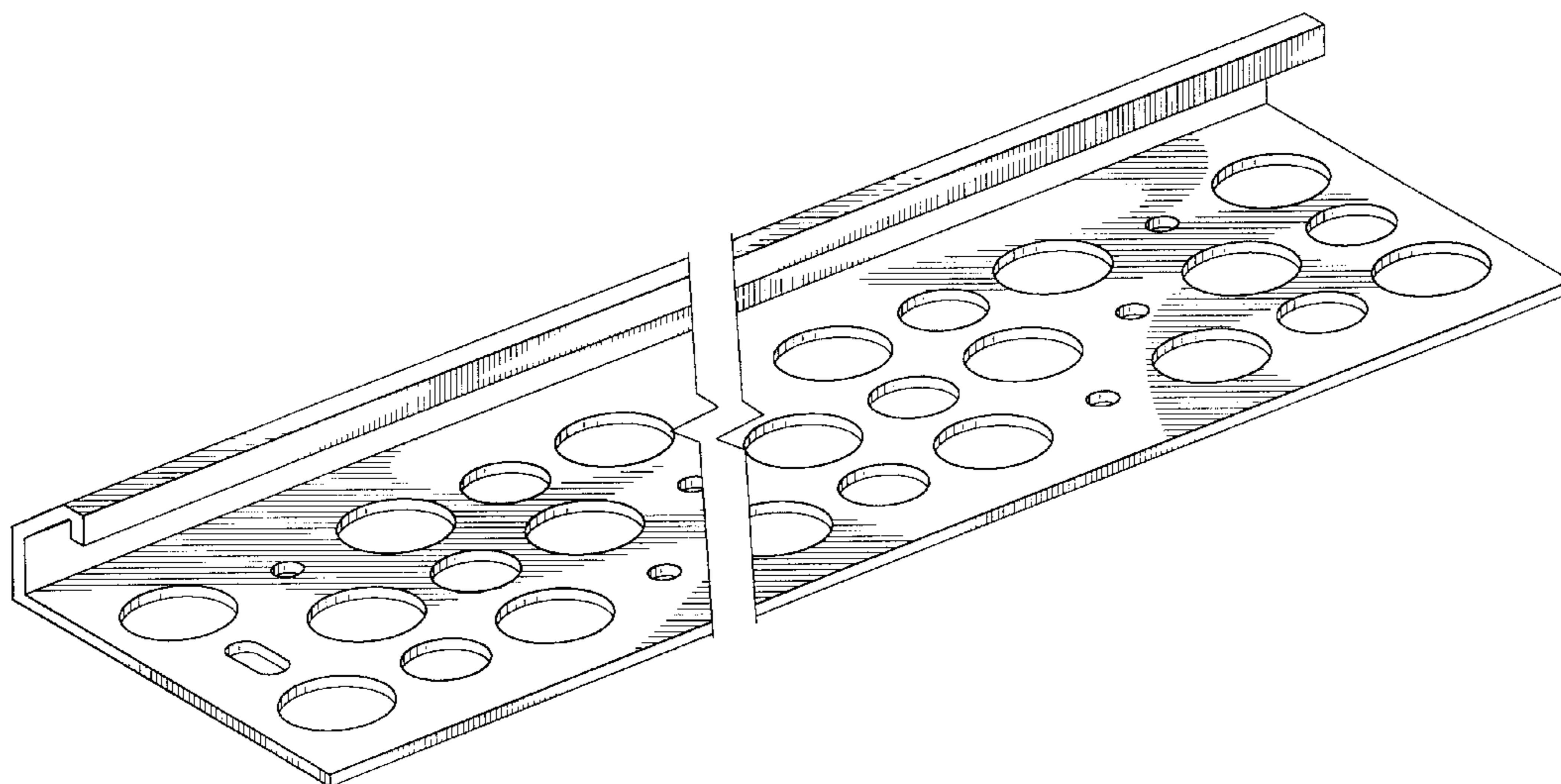
FIG. 5 is a front elevational view of the stucco casing bead shown in FIG. 1;

FIG. 6 is left elevational view of the stucco casing bead shown in FIG. 1; and,

FIG. 7 is right elevational view of the stucco casing bead shown in FIG. 1.

The stucco casing bead is shown broken in the middle to disclose indefinite length.

**1 Claim, 3 Drawing Sheets**



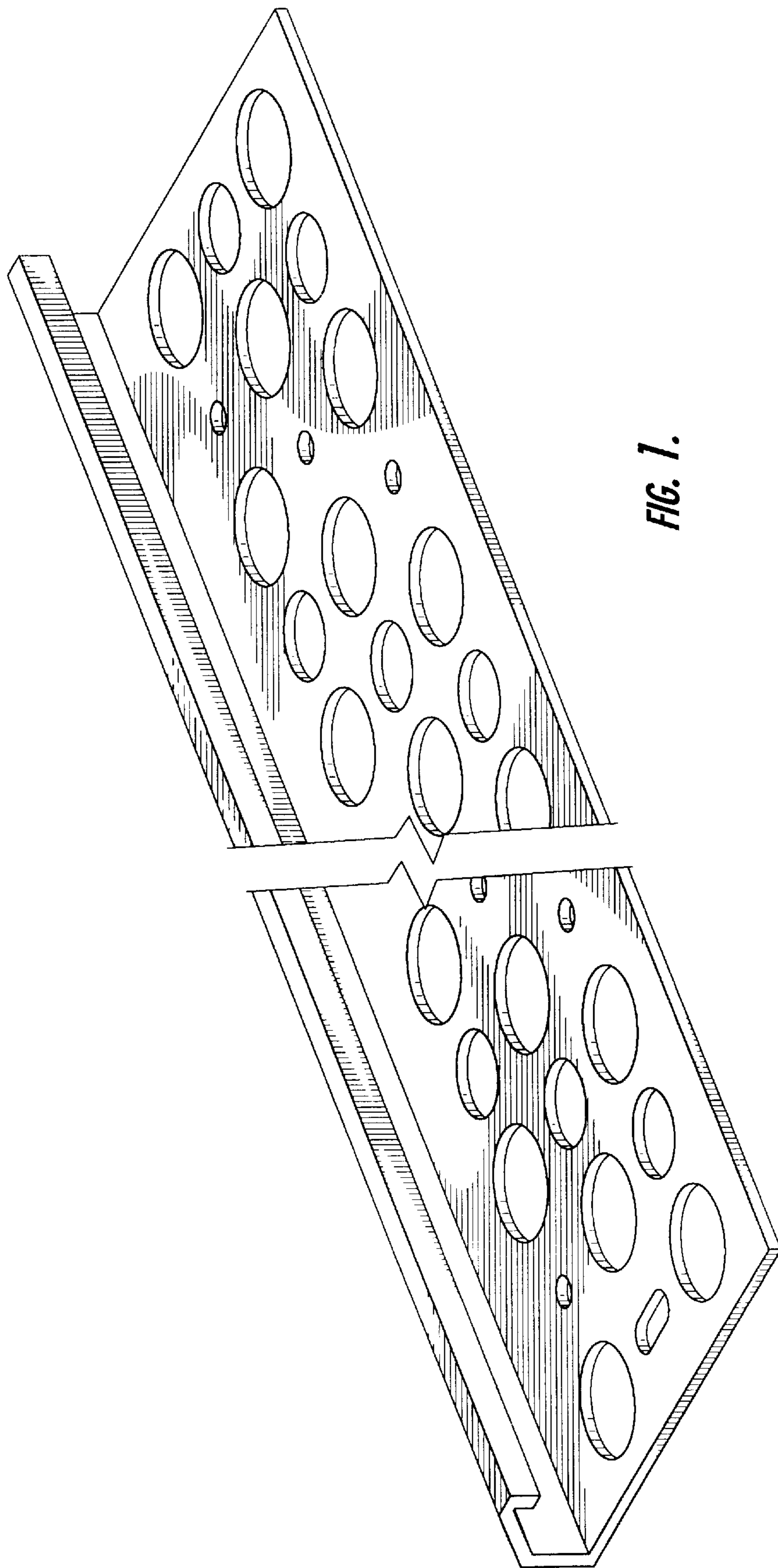
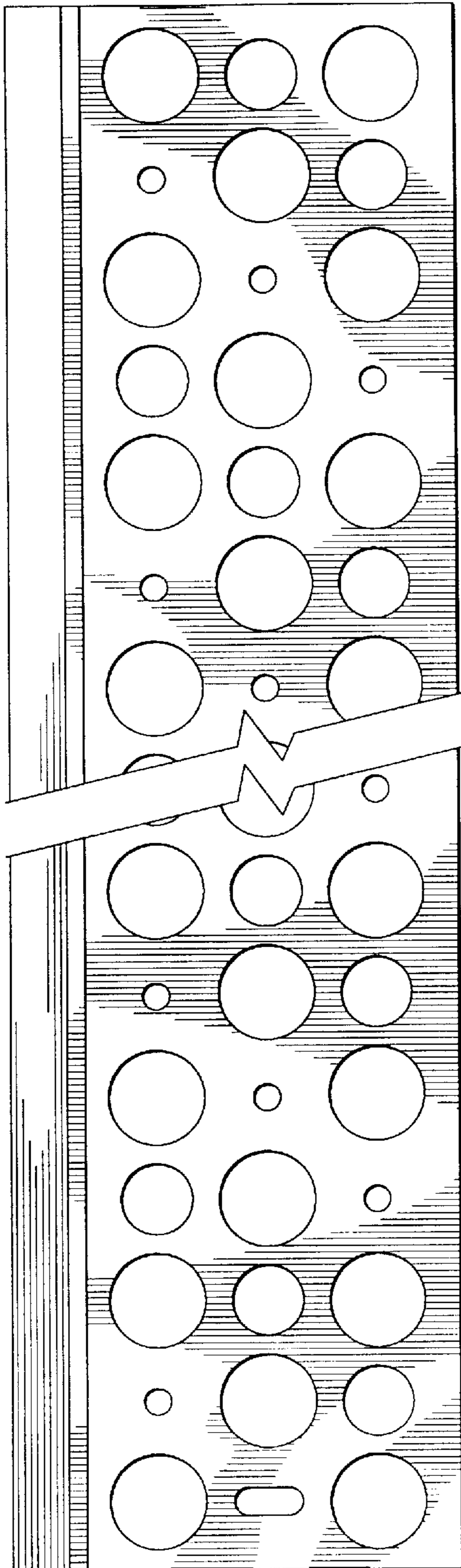
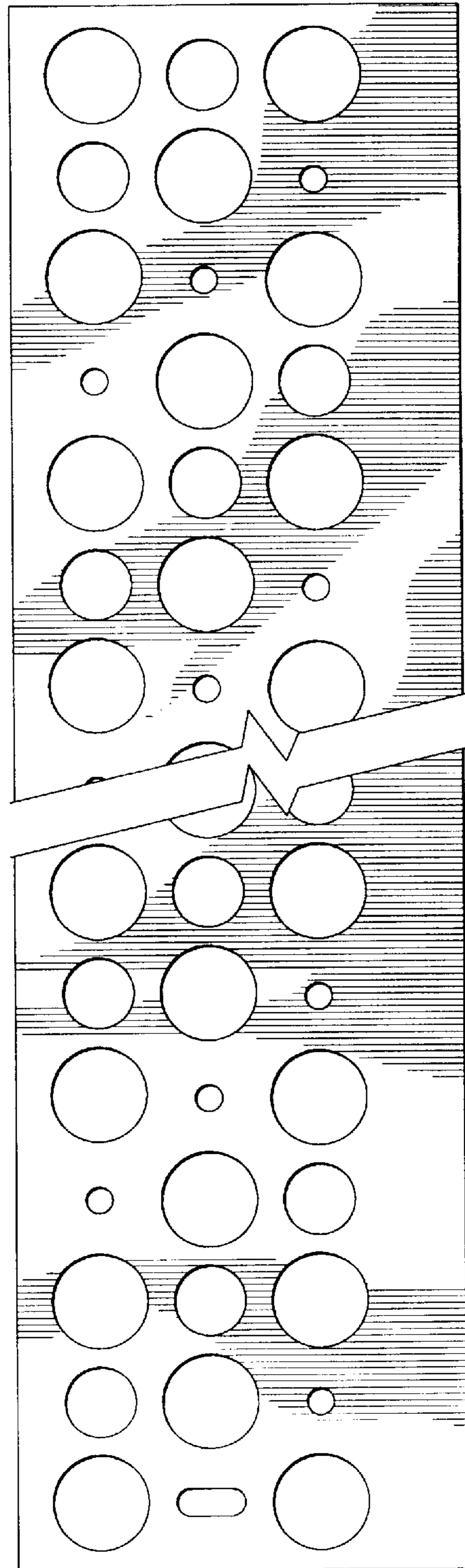


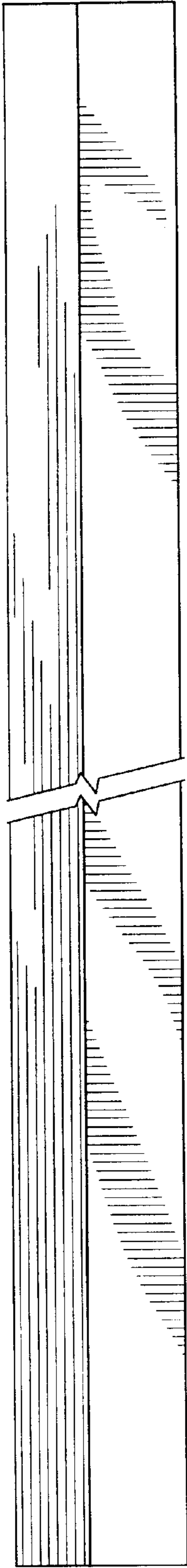
FIG. 1.



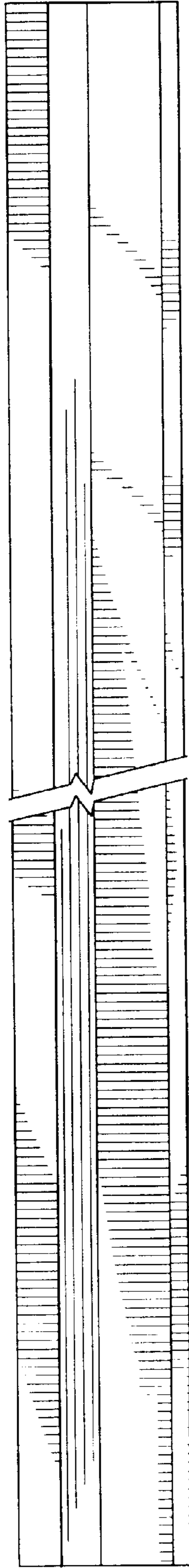
**FIG. 2.**



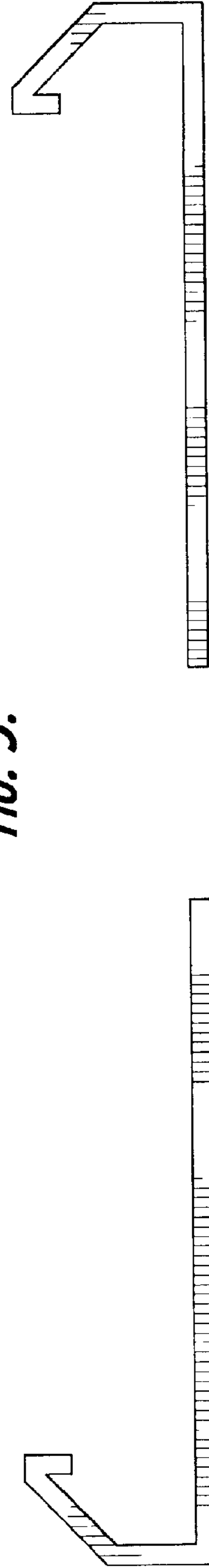
**FIG. 3.**



*FIG. 4.*



*FIG. 5.*



*FIG. 6.*

*FIG. 7.*