



US00D471989S

(12) **United States Design Patent**  
**Van Gilst**

(10) **Patent No.:** **US D471,989 S**

(45) **Date of Patent:** **\*\* Mar. 18, 2003**

(54) **BUNKER COVER**

6,205,717 B1 \* 3/2001 Shall et al. .... 52/89

(75) Inventor: **Carl Van Gilst**, Goshen, IN (US)

\* cited by examiner

(73) Assignee: **Behlen Engineered Plastics**, Goshen, IN (US)

*Primary Examiner*—Doris Clark

(\*\*) Term: **14 Years**

(57) **CLAIM**

The ornamental design for a bunker cover, as shown.

(21) Appl. No.: **29/160,520**

**DESCRIPTION**

(22) Filed: **May 11, 2002**

FIG. 1 is a perspective view of a bunker cover showing my new design;

(51) **LOC (7) Cl.** ..... **25-03**

FIG. 2 a front view thereof;

(52) **U.S. Cl.** ..... **D25/1**

FIG. 3 is a rear view thereof.

(58) **Field of Search** ..... D25/1, 102, 17, D25/18; 405/132; 52/169.6, 89

FIG. 4 a top view thereof;

FIG. 5 is a bottom view thereof;

FIG. 6 a left side view thereof; and,

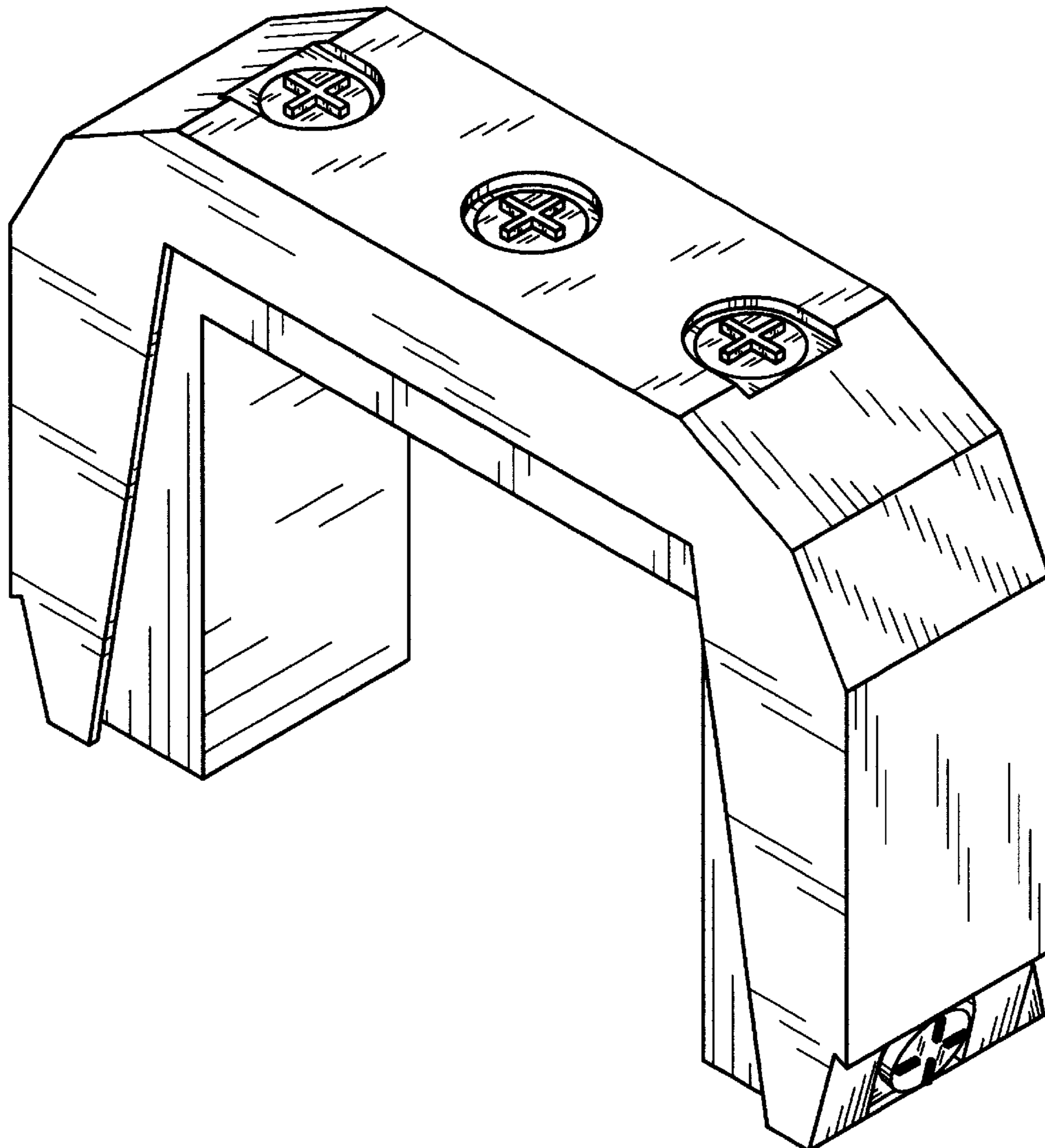
FIG. 7 is a right side view thereof.

(56) **References Cited**

**U.S. PATENT DOCUMENTS**

D406,902 S \* 3/1999 Lockwood ..... D25/1

**1 Claim, 6 Drawing Sheets**



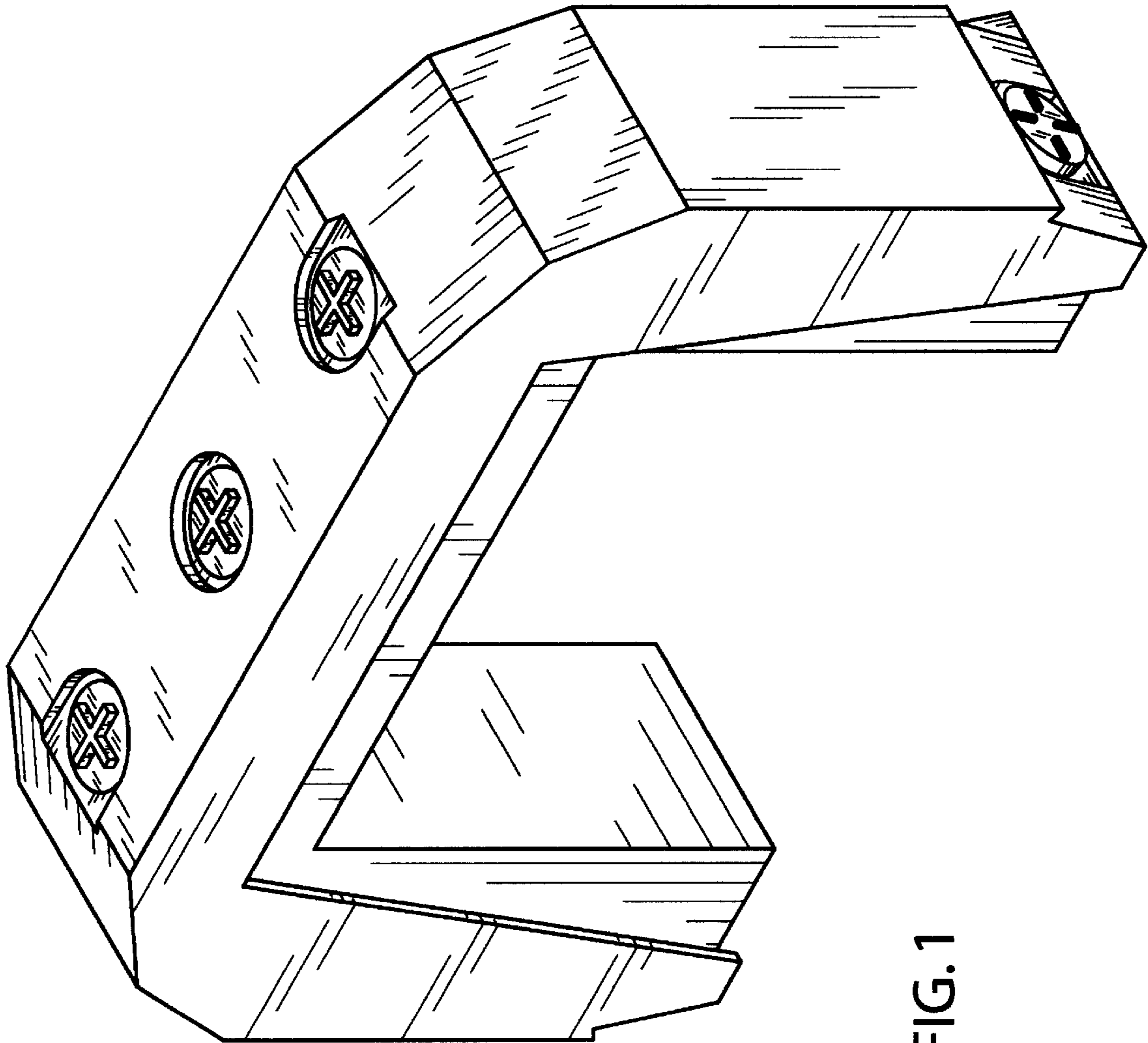


FIG. 1

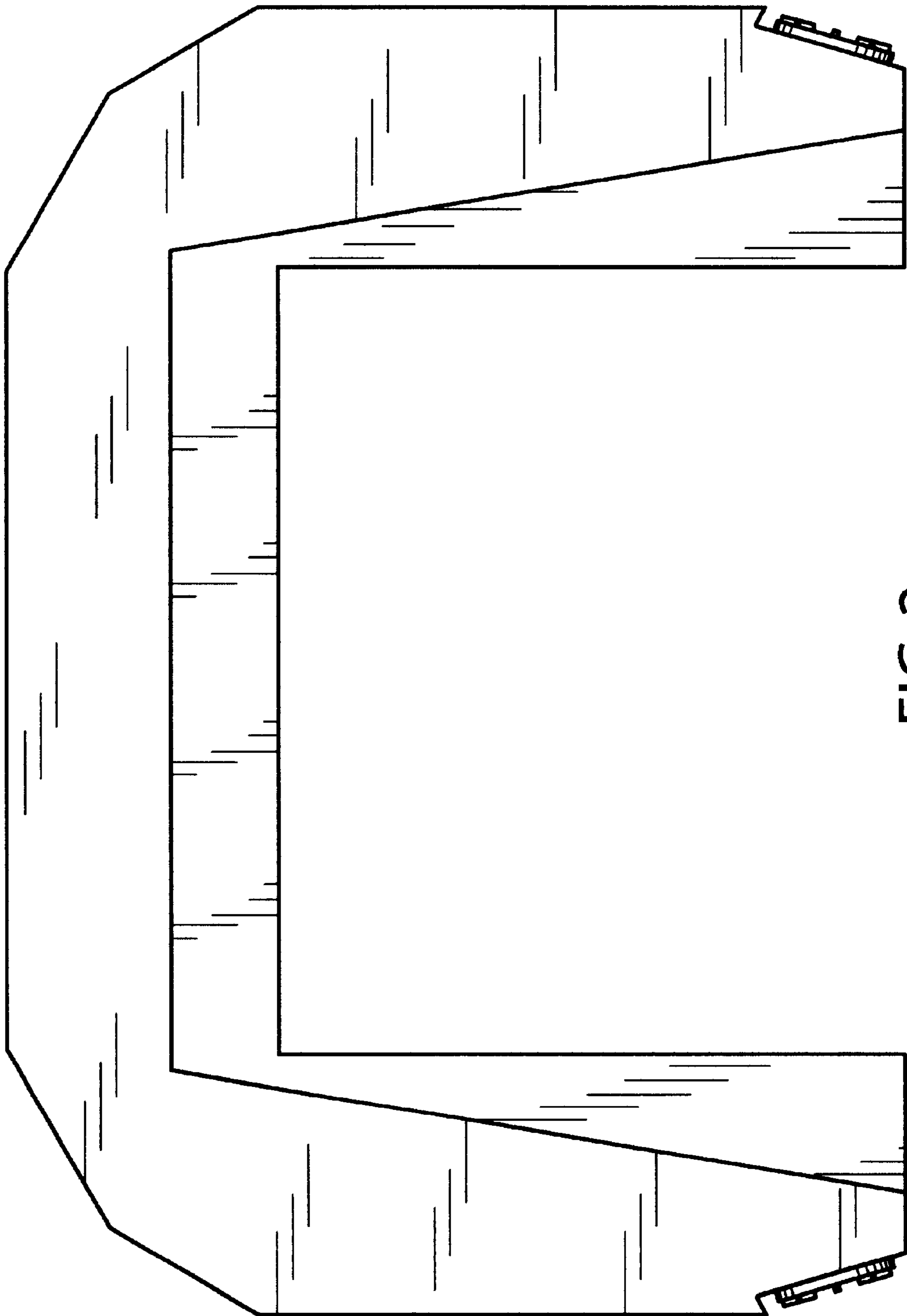


FIG. 2

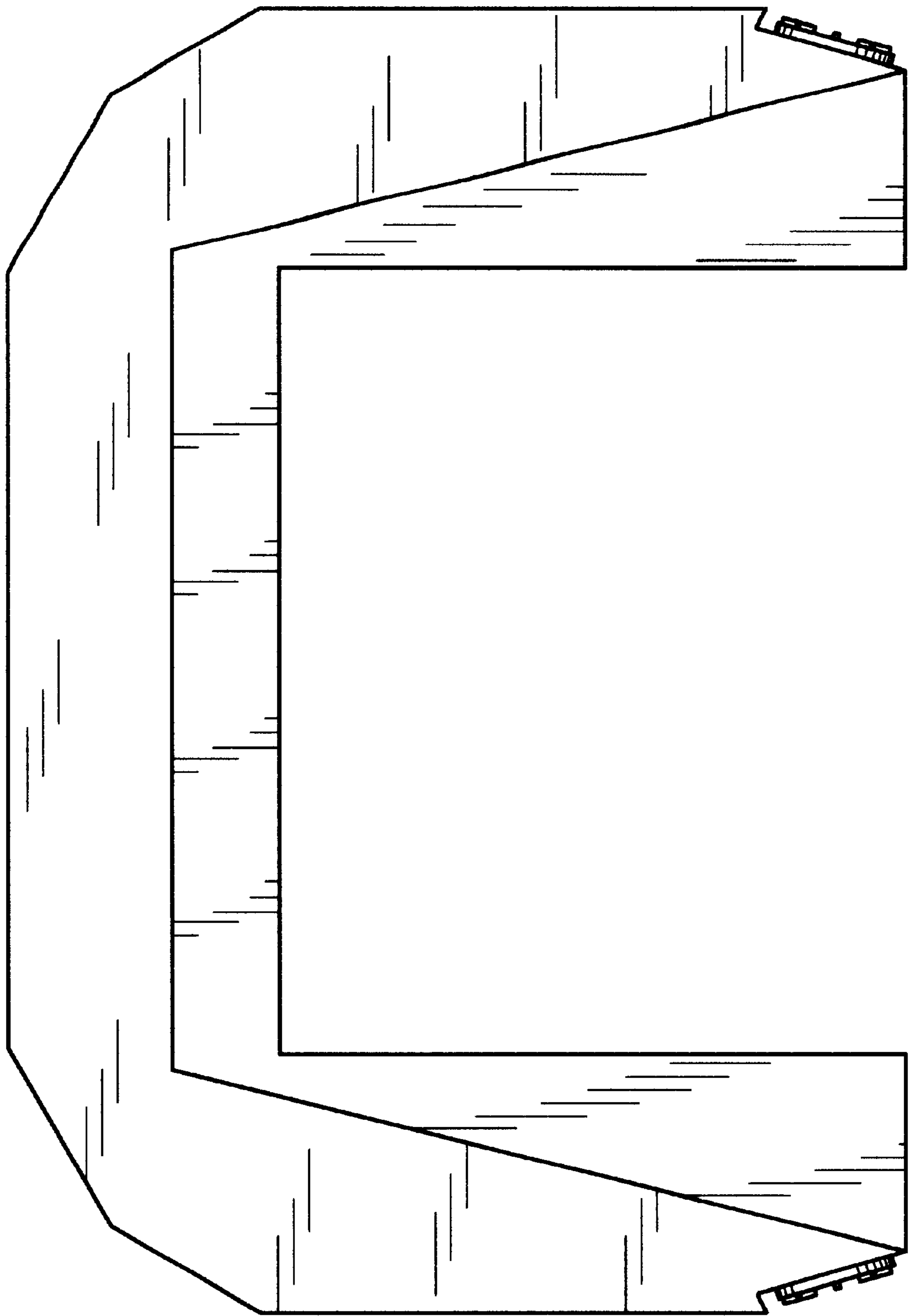


FIG. 3

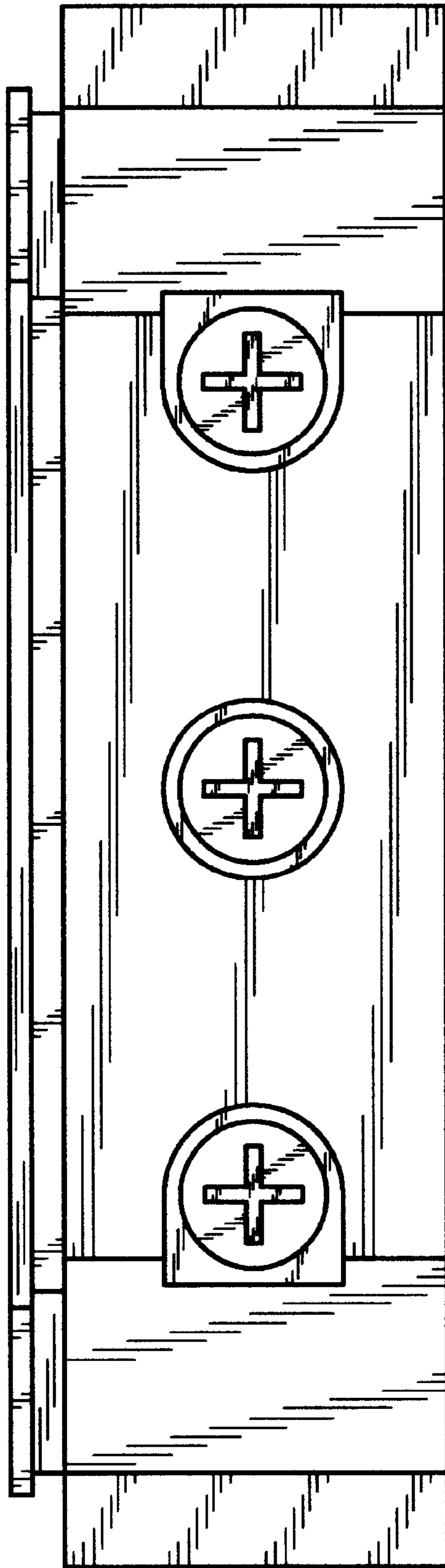


FIG. 4

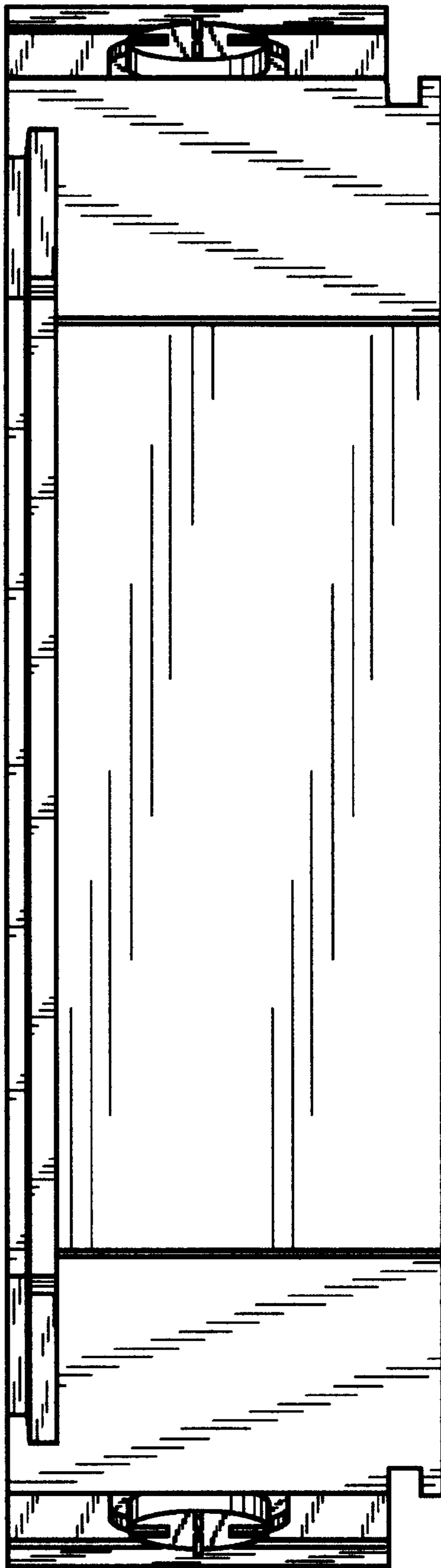


FIG. 5

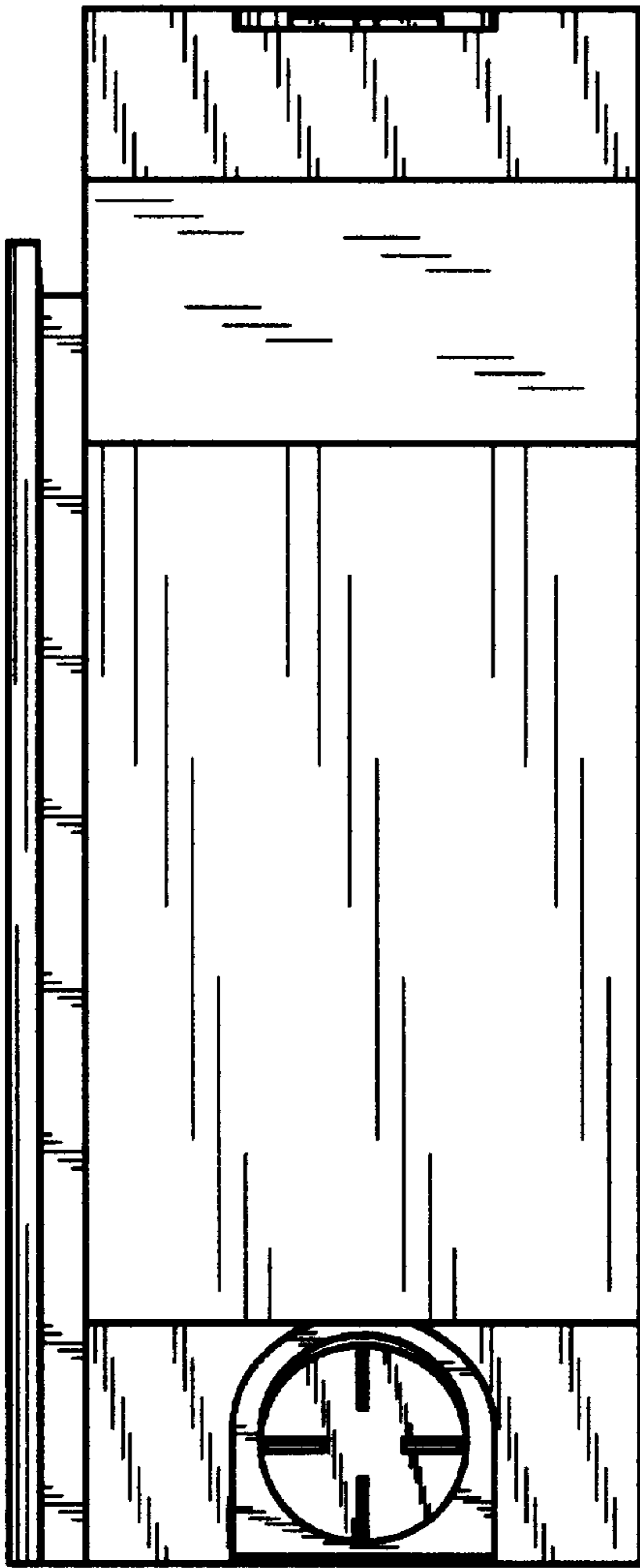


FIG. 6

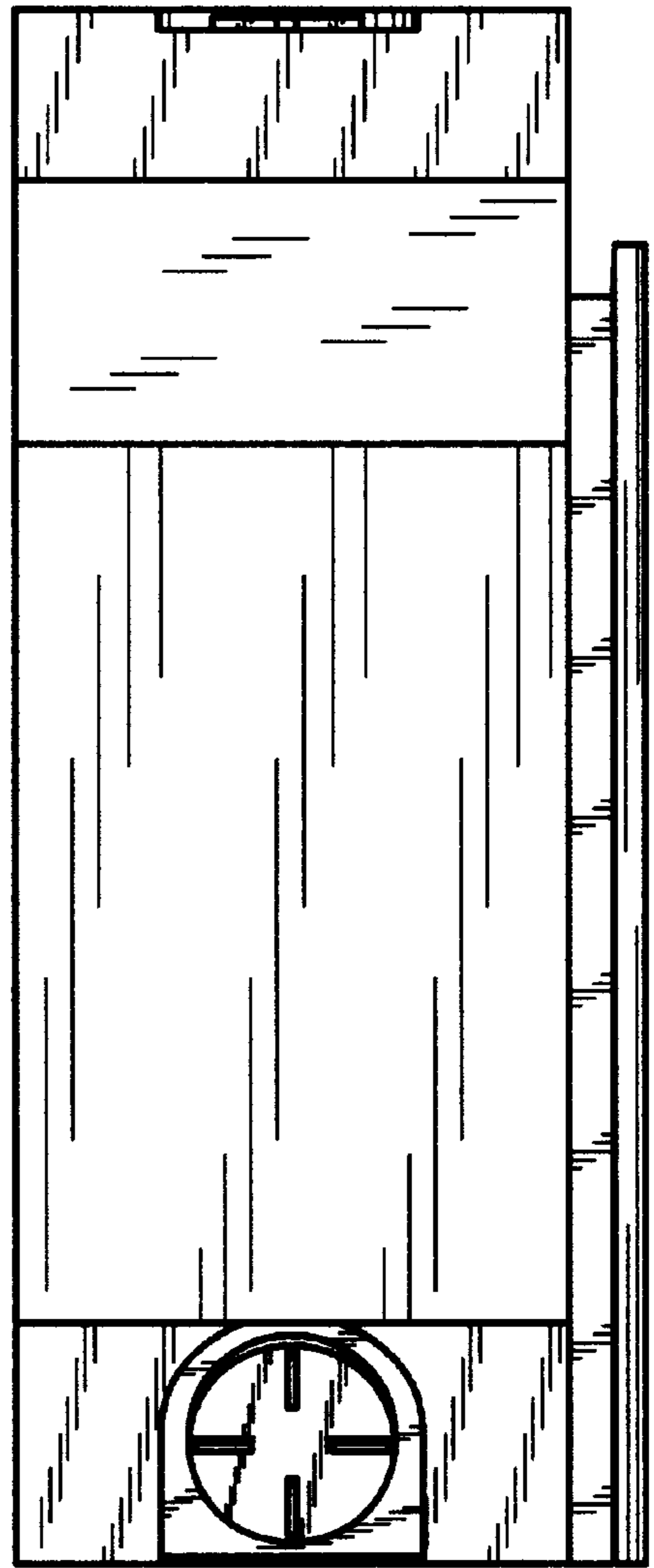


FIG. 7