



US00D471988S

(12) **United States Design Patent**
Lueth et al.

(10) **Patent No.:** **US D471,988 S**
(45) **Date of Patent:** **** Mar. 18, 2003**

(54) **LABORATORY DEVICE**

D380,273 S * 6/1997 Emerson et al. D24/232
D430,304 S * 8/2000 Oonuma et al. D24/233

(75) Inventors: **Ralf Lueth**, Osnabrueck (DE); **Klaus Schoenboerner**, Lotte (DE)

OTHER PUBLICATIONS

(73) Assignee: **DIOSNA Dierks & Soehne GmbH**, Osnabrueck (DE)

VWR Scientific Products "High-Speed Fluid Bed Dryer, Lab-line" p. 520 @1999.*

(**) Term: **14 Years**

* cited by examiner

(21) Appl. No.: **29/134,032**

Primary Examiner—Ian Simmons

(22) Filed: **Dec. 12, 2000**

(74) *Attorney, Agent, or Firm*—Jordan and Hamburg LLP

(51) **LOC (7) Cl.** **24-02**

(52) **U.S. Cl.** **D24/232; D24/220**

(58) **Field of Search** D24/216, 232,
D24/231, 220; D10/81; 422/139, 145, 143,
147, 311, 146; 110/245; 165/4, 7; 435/58,
15

(57) **CLAIM**

The ornamental design for a laboratory device, as shown.

(56) **References Cited**

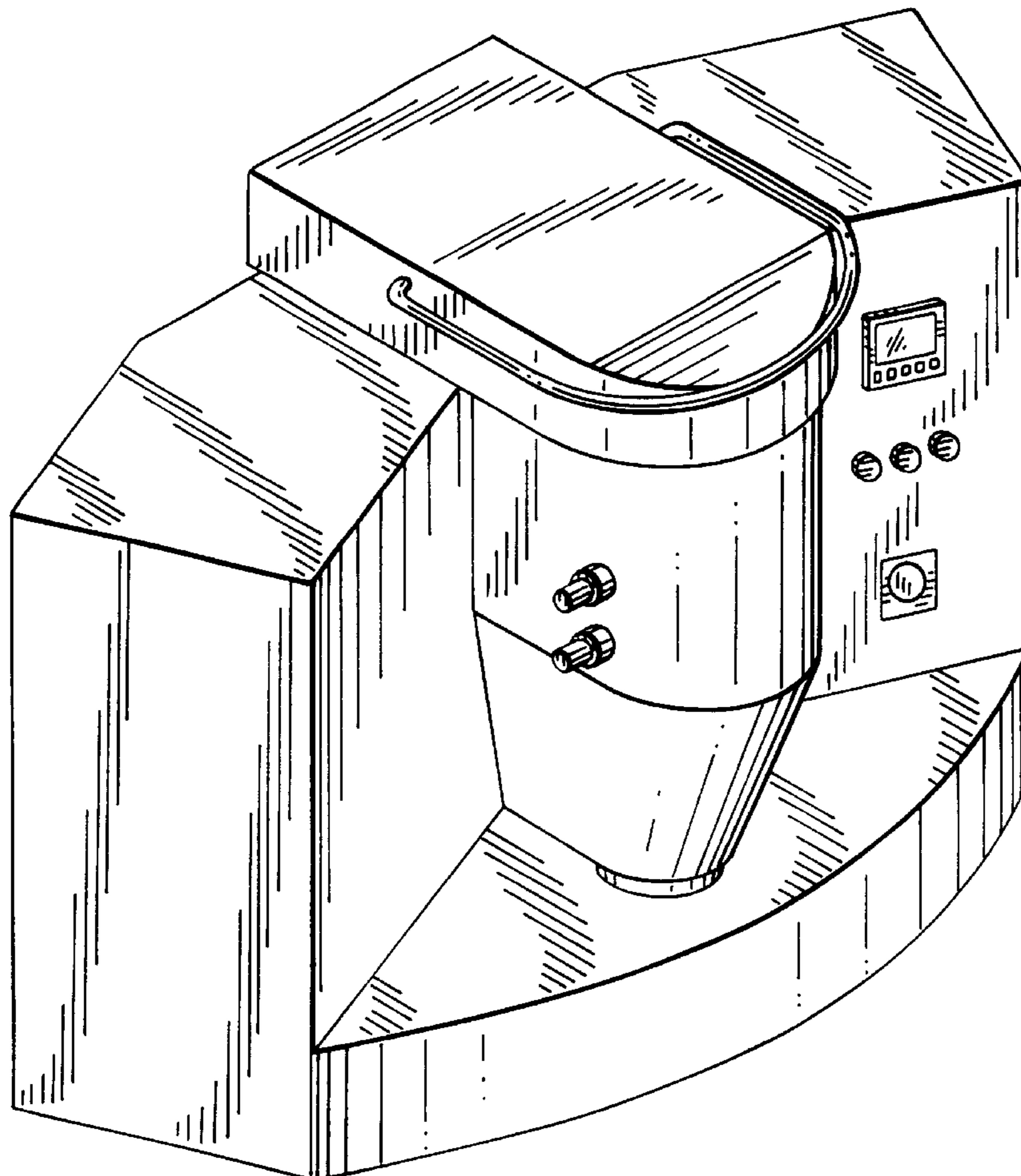
DESCRIPTION

U.S. PATENT DOCUMENTS

D377,455 S * 1/1997 Burchard et al. D10/81
5,607,649 A * 3/1997 Hansen 422/139
D378,782 S * 4/1997 LaBarbera et al. D24/232

FIG. 1 is a perspective view of a laboratory device showing our new design;
FIG. 2 is a top view thereof;
FIG. 3 is a front elevational view thereof;
FIG. 4 is a left side elevational thereof;
FIG. 5 is a rear view thereof;
FIG. 6 is a right side elevational view thereof; and,
FIG. 7 is a bottom view thereof.

1 Claim, 4 Drawing Sheets



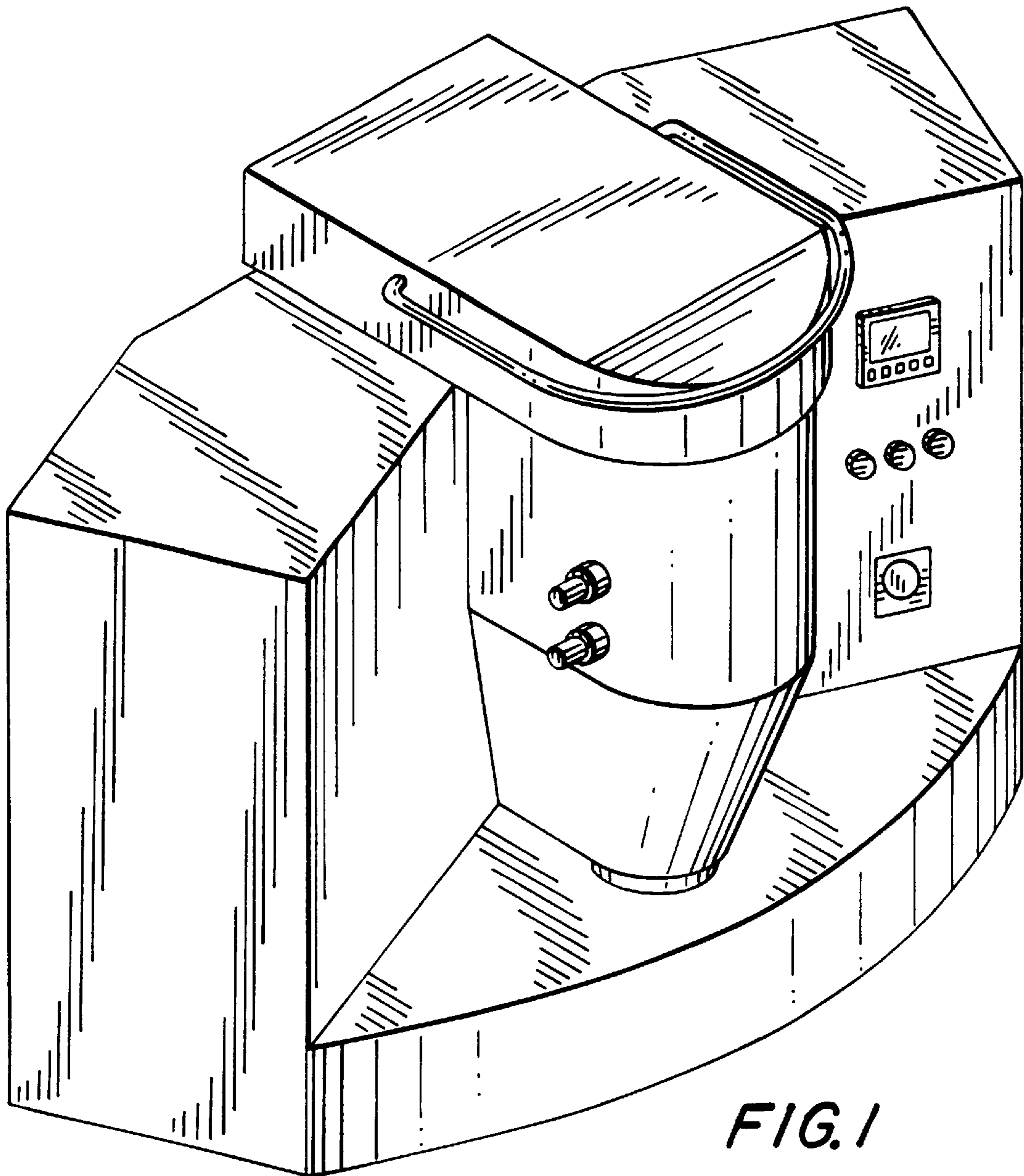


FIG. 1

FIG. 2

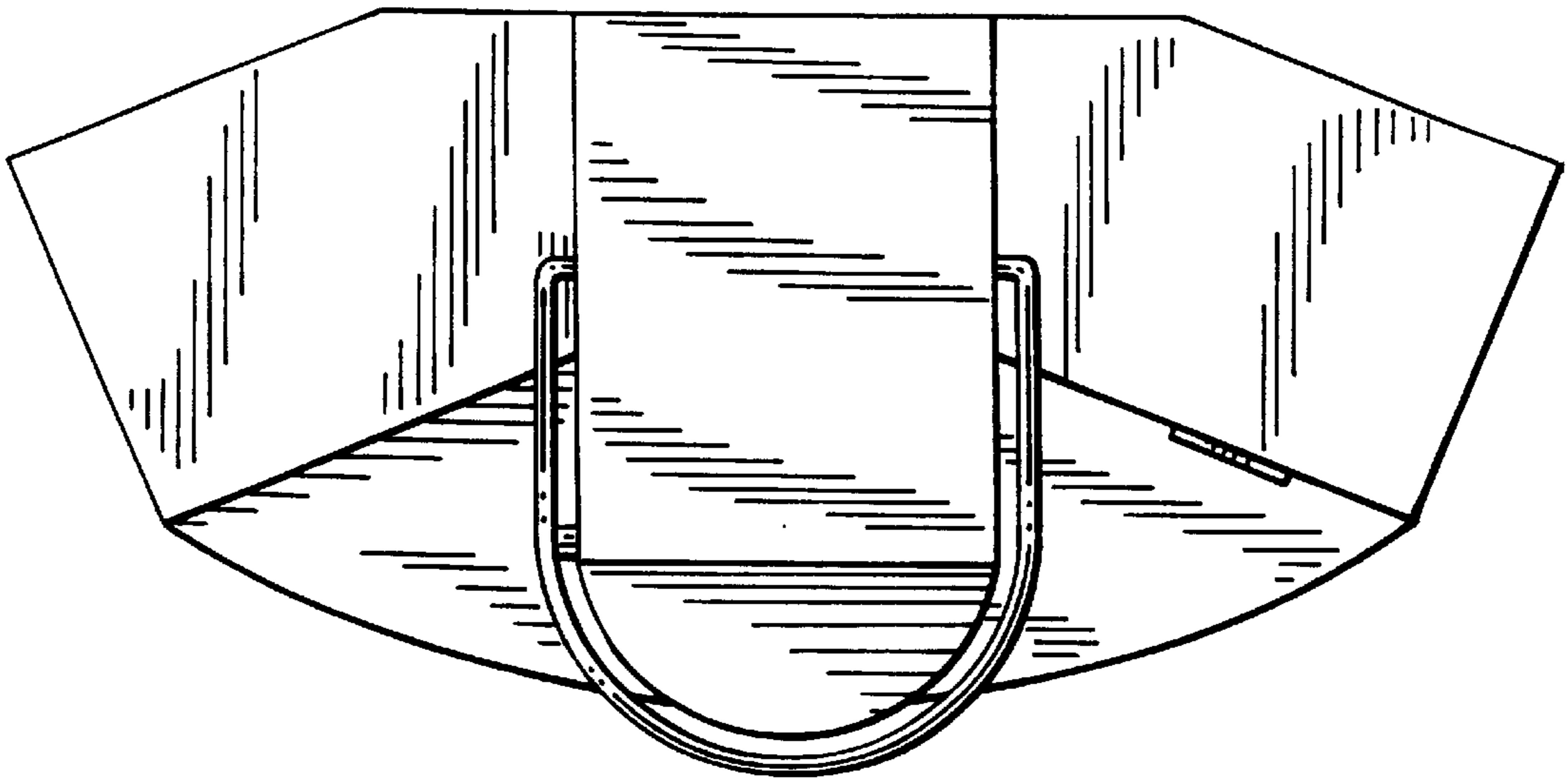
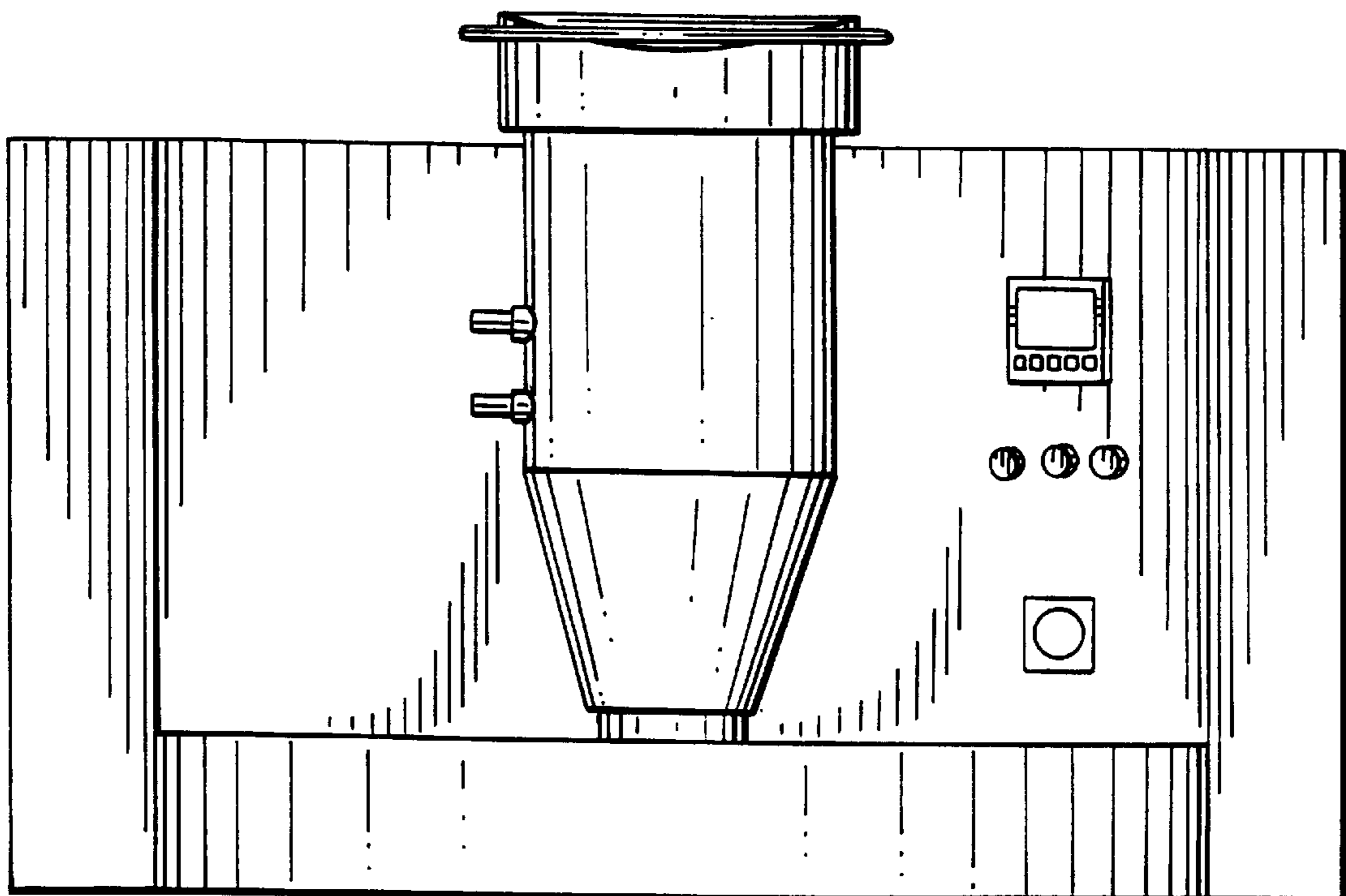


FIG. 3



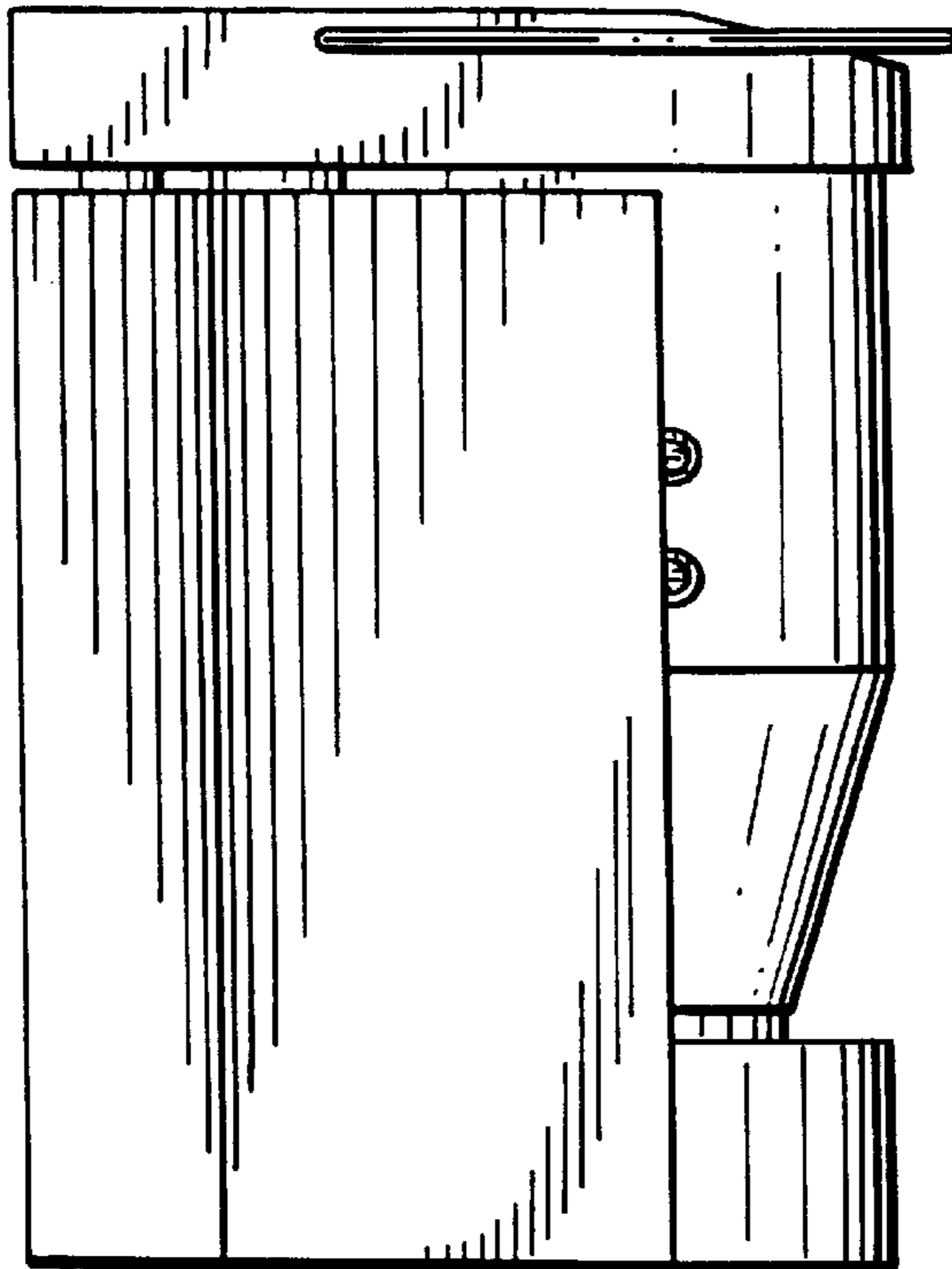


FIG. 4

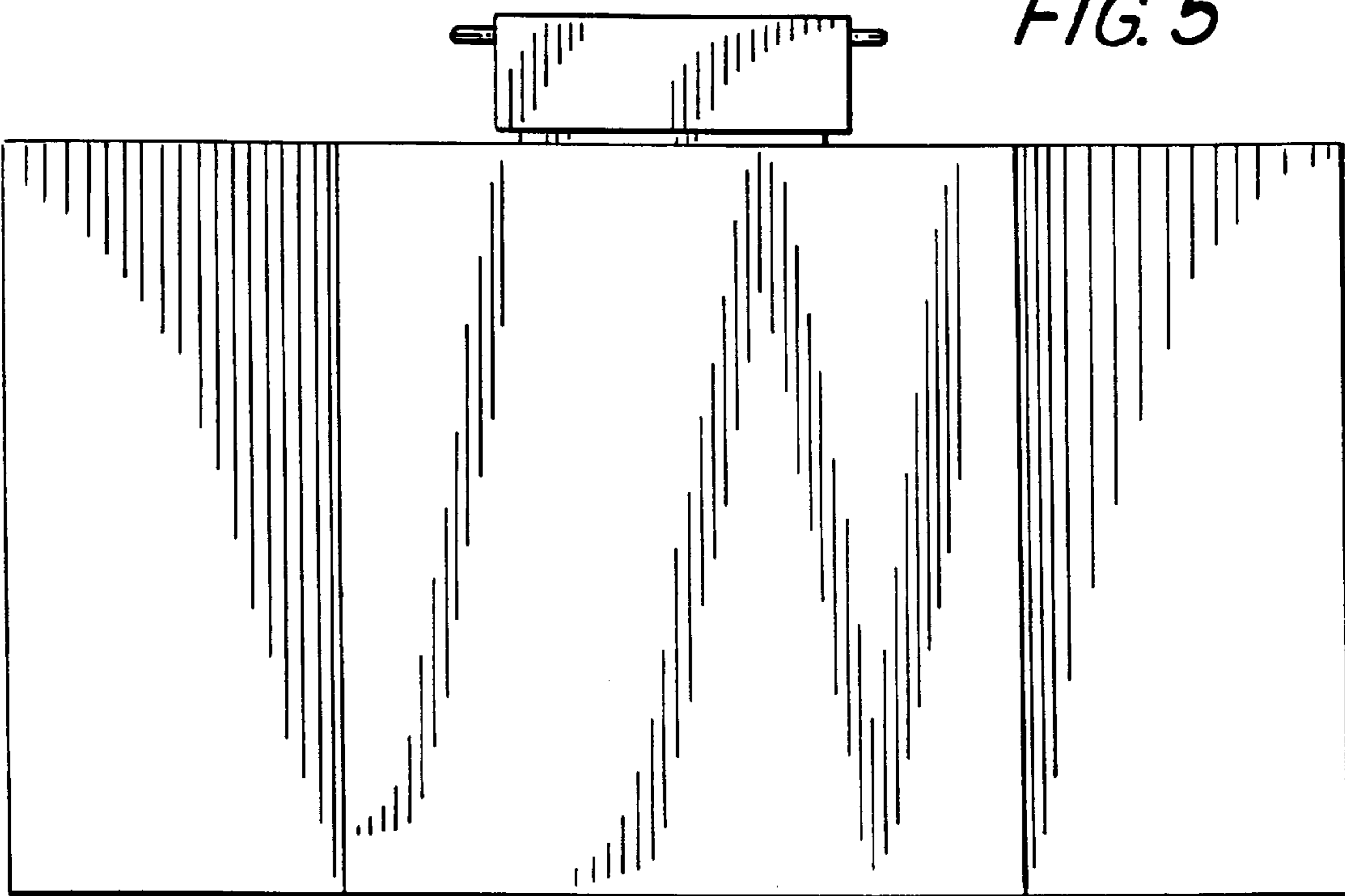


FIG. 5

FIG. 6

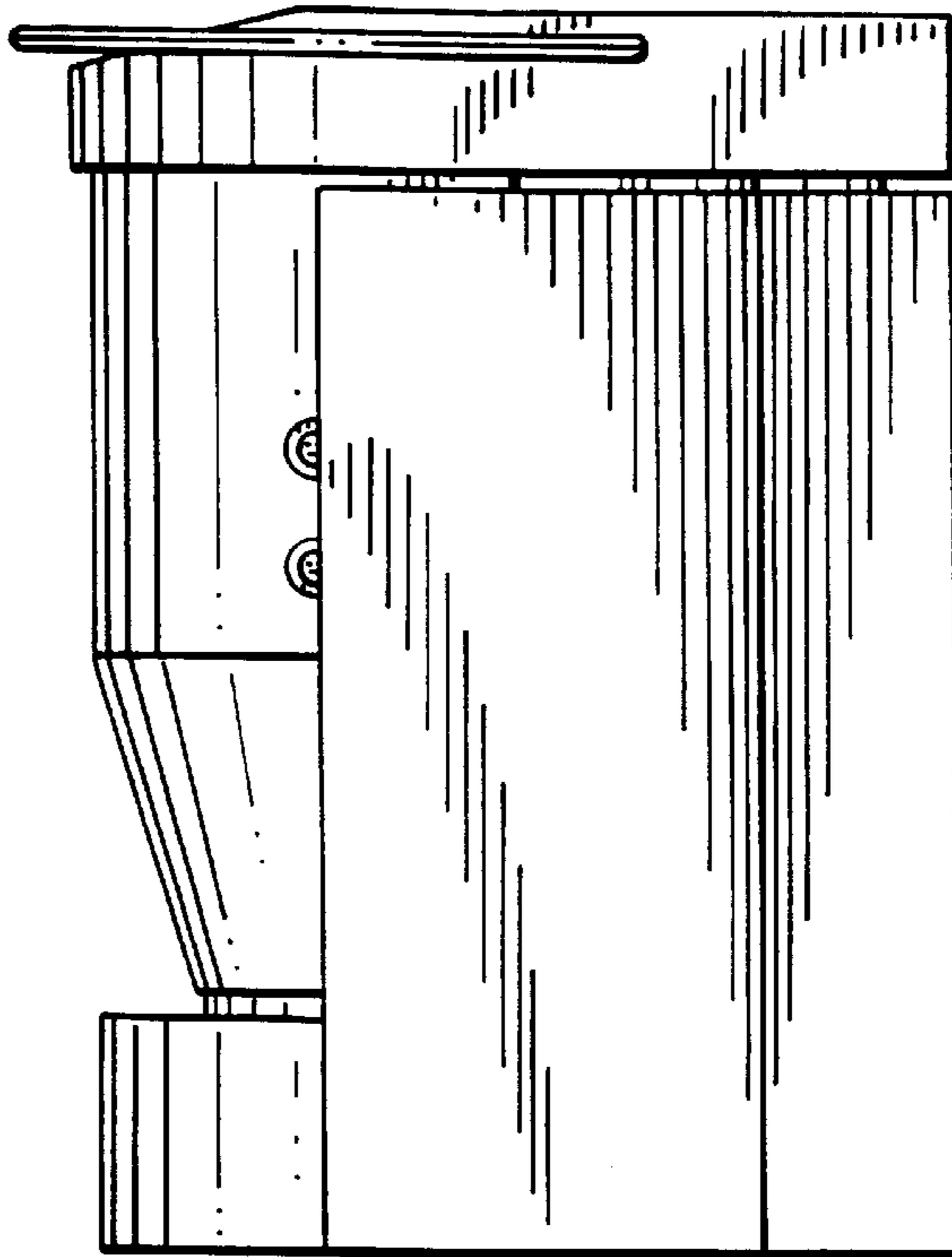


FIG. 7

