



US00D471984S

(12) **United States Design Patent**  
**Dunshee et al.**

(10) **Patent No.:** **US D471,984 S**

(45) **Date of Patent:** **\*\* Mar. 18, 2003**

(54) **MEDICAL ARTICLE**

(75) Inventors: **Wayne K. Dunshee**, Maplewood, MN (US); **Mark A. Schonewill**, Bloomington, MN (US)

(73) Assignee: **3M Innovative Properties Company**, St. Paul, MN (US)

(\*\*) Term: **14 Years**

(21) Appl. No.: **29/165,669**

(22) Filed: **Aug. 14, 2002**

**Related U.S. Application Data**

(62) Division of application No. 29/141,272, filed on May 2, 2001.

(51) **LOC (7) Cl.** ..... **24-04**

(52) **U.S. Cl.** ..... **D24/189**

(58) **Field of Search** ..... D24/189; 602/41-48, 602/52, 54, 57, 58; 128/DIG. 26

(56) **References Cited**

**U.S. PATENT DOCUMENTS**

- 2,054,768 A \* 9/1936 Gale, Jr. .... 602/59
- 2,321,363 A 6/1943 Crowley
- 2,442,111 A 5/1948 Beardsley
- 2,748,766 A 6/1956 Coates

- 2,875,758 A 3/1959 Fuzak et al.
- 3,303,842 A \* 2/1967 Horlacher ..... 602/30
- 3,529,597 A \* 9/1970 Fuzak ..... 602/58
- 4,534,342 A \* 8/1985 Pexa ..... 602/74

**OTHER PUBLICATIONS**

Curad, Extreme Shapes™, Bandages for fingertip, elbow/knee, or knuckle, Beiersdorf Inc., Wilton, CT 06897 (2000) (Photocopy of Packaging—2 pgs).

\* cited by examiner

*Primary Examiner*—Stella Reid

(74) *Attorney, Agent, or Firm*—John A. Burtis

(57) **CLAIM**

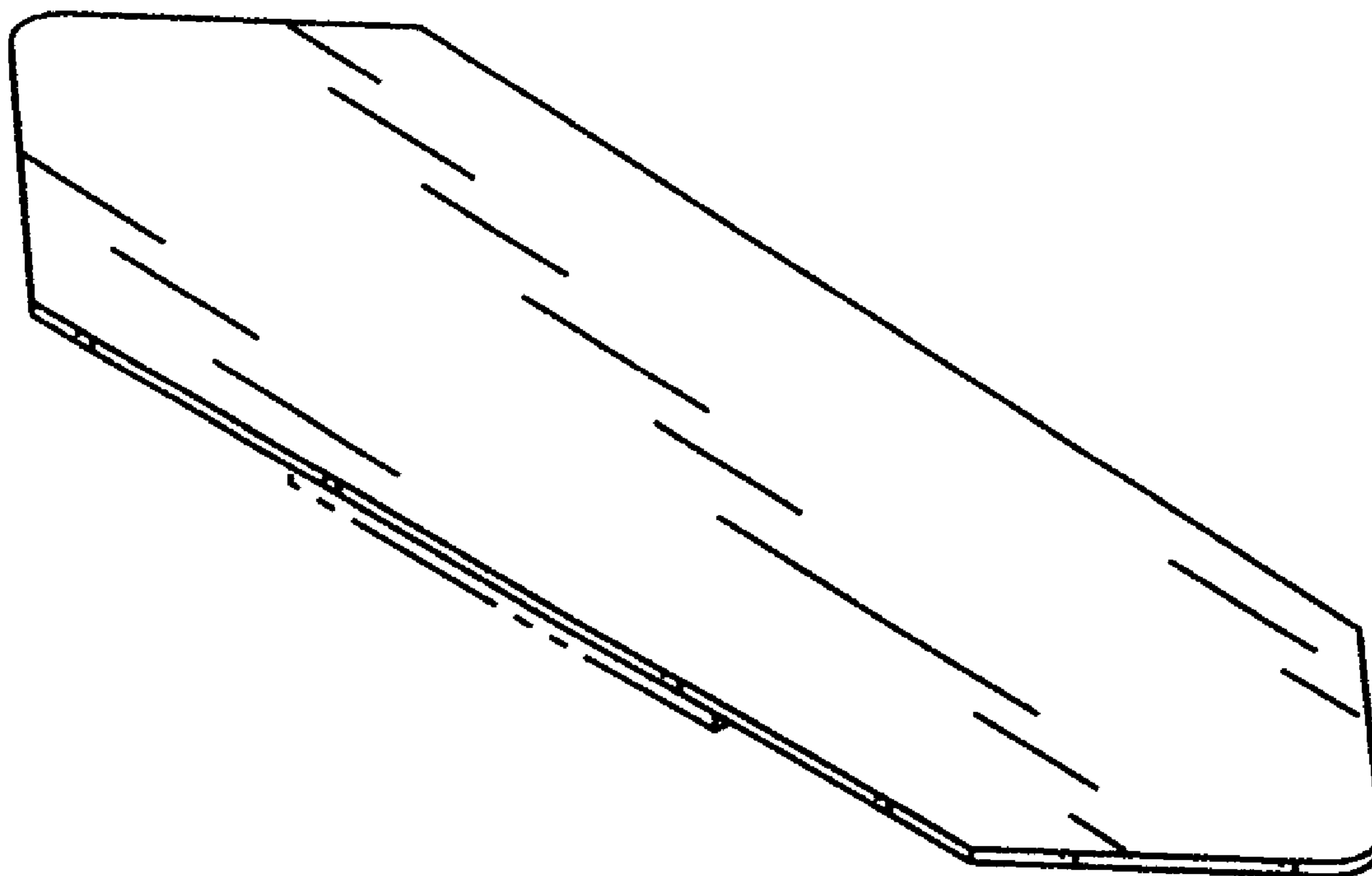
The ornamental design for a medical article, as shown and described.

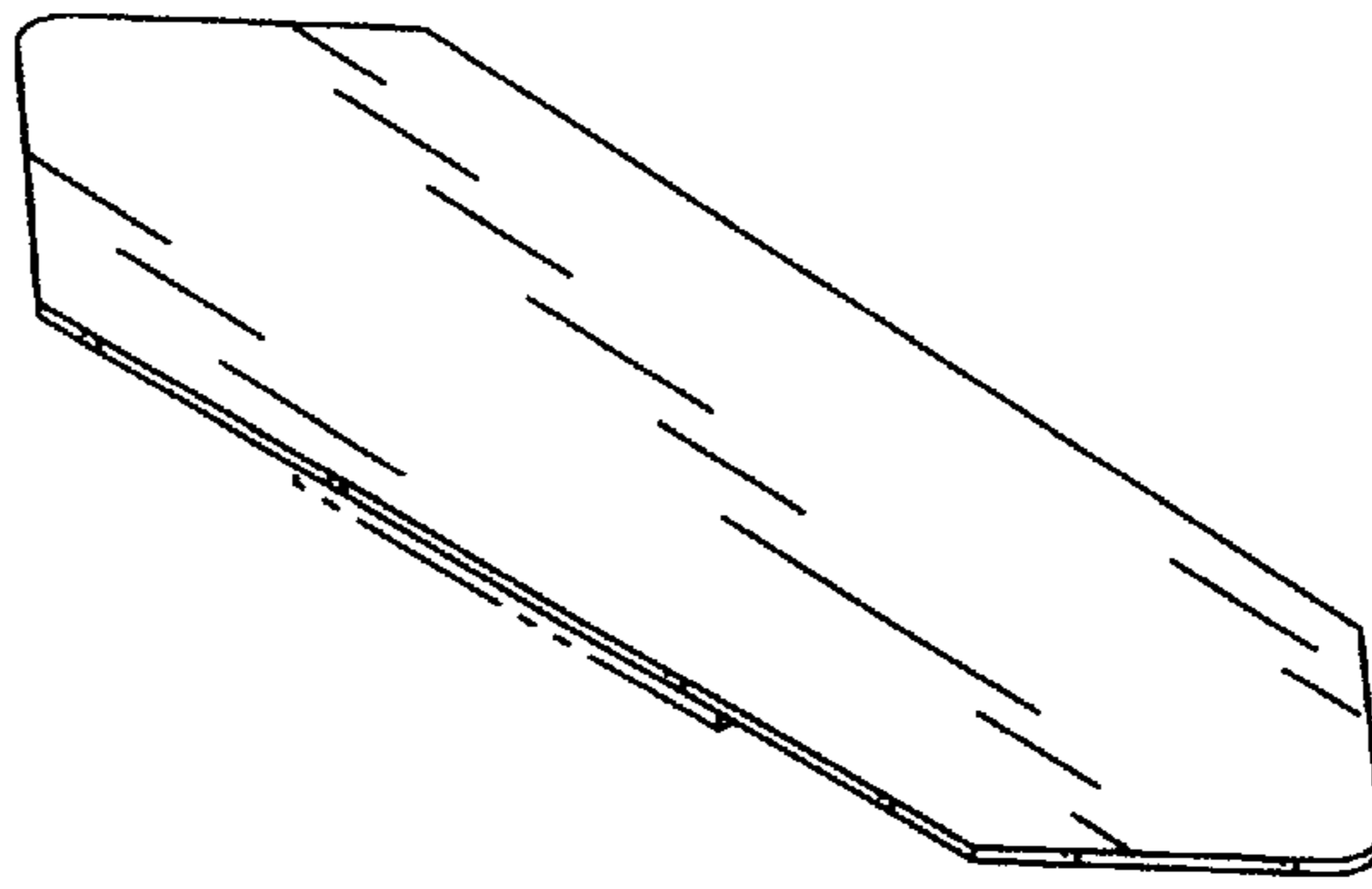
**DESCRIPTION**

FIG. 1 is a perspective view of a medical article showing the new design;  
FIG. 2 is a top plan view thereof;  
FIG. 3 is a bottom plan view thereof;  
FIG. 4 is an end view thereof; and,  
FIG. 5 is a side view thereof.

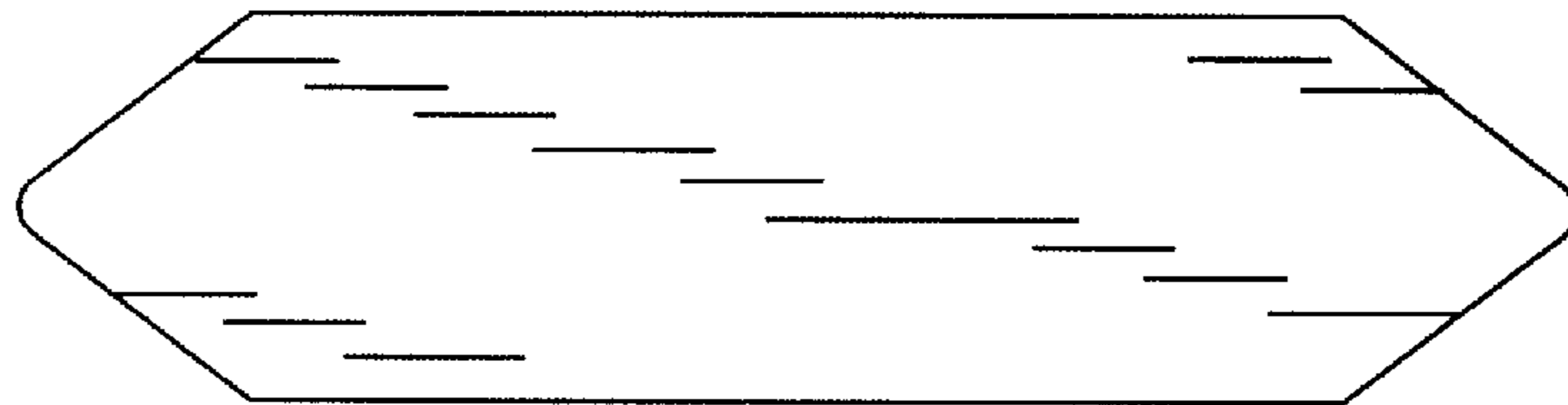
The broken lines in the figures are for illustrative purposes only and do not form a part of the claimed design.

**1 Claim, 1 Drawing Sheet**

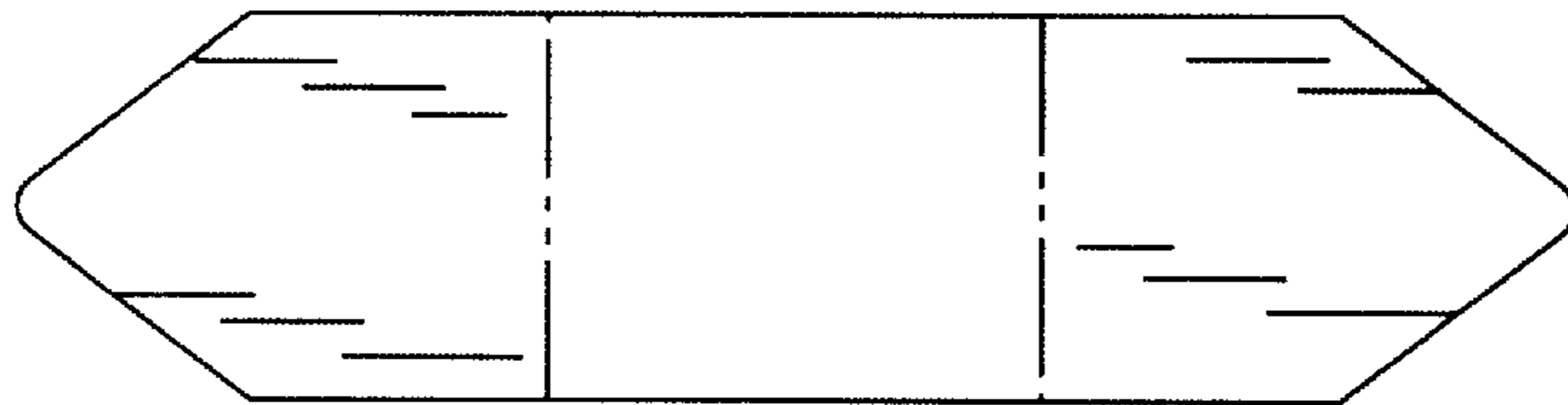




*Fig. 1*



*Fig. 2*



*Fig. 3*



*Fig. 4*



*Fig. 5*

UNITED STATES PATENT AND TRADEMARK OFFICE  
**CERTIFICATE OF CORRECTION**

PATENT NO. : Des. 471,984 S  
DATED : March 18, 2003  
INVENTOR(S) : Dunshee, Wayne K.

Page 1 of 1

It is certified that error appears in the above-identified patent and that said Letters Patent is hereby corrected as shown below:

Title page,  
Item [75], Inventor, delete “**Mark A. Schonewill**, Bloomington, MN (US)”

Signed and Sealed this

Fifth Day of October, 2004

A handwritten signature in black ink that reads "Jon W. Dudas". The signature is written in a cursive style with a large, looped initial "J".

---

JON W. DUDAS  
*Director of the United States Patent and Trademark Office*