



US00D471981S

(12) **United States Design Patent**
Reif

(10) **Patent No.:** **US D471,981 S**

(45) **Date of Patent:** **** Mar. 18, 2003**

(54) **HEART VALVE STIFFENING RING**

5,695,503 A * 12/1997 Krueger et al. 623/2
5,776,188 A * 7/1998 Shepherd et al. 623/2

(75) Inventor: **Thomas H. Reif**, Vero Beach, FL (US)

* cited by examiner

(73) Assignee: **Republic Medical Products Inc.**, Vero Beach, FL (US)

Primary Examiner—Louis S. Zarfaz

Assistant Examiner—Gregory Andoll

(**) Term: **14 Years**

(74) *Attorney, Agent, or Firm*—Albert H. Reuther

(21) Appl. No.: **29/076,617**

(57) **CLAIM**

(22) Filed: **Sep. 3, 1997**

The ornamental design for a heart valve stiffening ring, as shown and described.

(51) **LOC (7) Cl.** **24-03**

DESCRIPTION

(52) **U.S. Cl.** **D24/155**

(58) **Field of Search** D24/155; 623/2,
623/900; 285/387, 388; 215/341, 343, 345,
352; 272/644, 641, 910

FIG. 1 is a top perspective view of a heart valve stiffening ring showing my new design;

FIG. 2 is a top plan view of the heart valve stiffening ring of FIG. 1;

FIG. 3 is a bottom plan view of the heart valve stiffening ring of FIG. 1;

FIG. 4 is a side elevational view of the heart valve stiffening ring of FIG. 1; and,

FIG. 5 is an elevational view of the heart valve stiffening ring showing an opposite side from that illustrated in FIG. 4.

The broken line showing of the heart valve annular channel shaped body in FIG. 1 is for illustrative purposes only and forms no part of the claimed design.

(56) **References Cited**

U.S. PATENT DOCUMENTS

2,391,632	A	*	12/1945	Knight et al.	285/387
3,057,630	A	*	10/1962	Sneed	277/910
3,685,059	A	*	8/1972	Bokros et al.	623/2
4,363,142	A	*	12/1982	Meyer	623/2
4,425,670	A	*	1/1984	Figuera	623/2
4,479,670	A	*	10/1984	Gabler	277/644
4,544,185	A	*	10/1985	Weirich et al.	285/387
4,863,460	A	*	9/1989	Maglardy	623/2
D376,206	S	*	12/1996	Reif	D24/155
5,628,789	A	*	5/1997	Vanney et al.	623/2

1 Claim, 2 Drawing Sheets

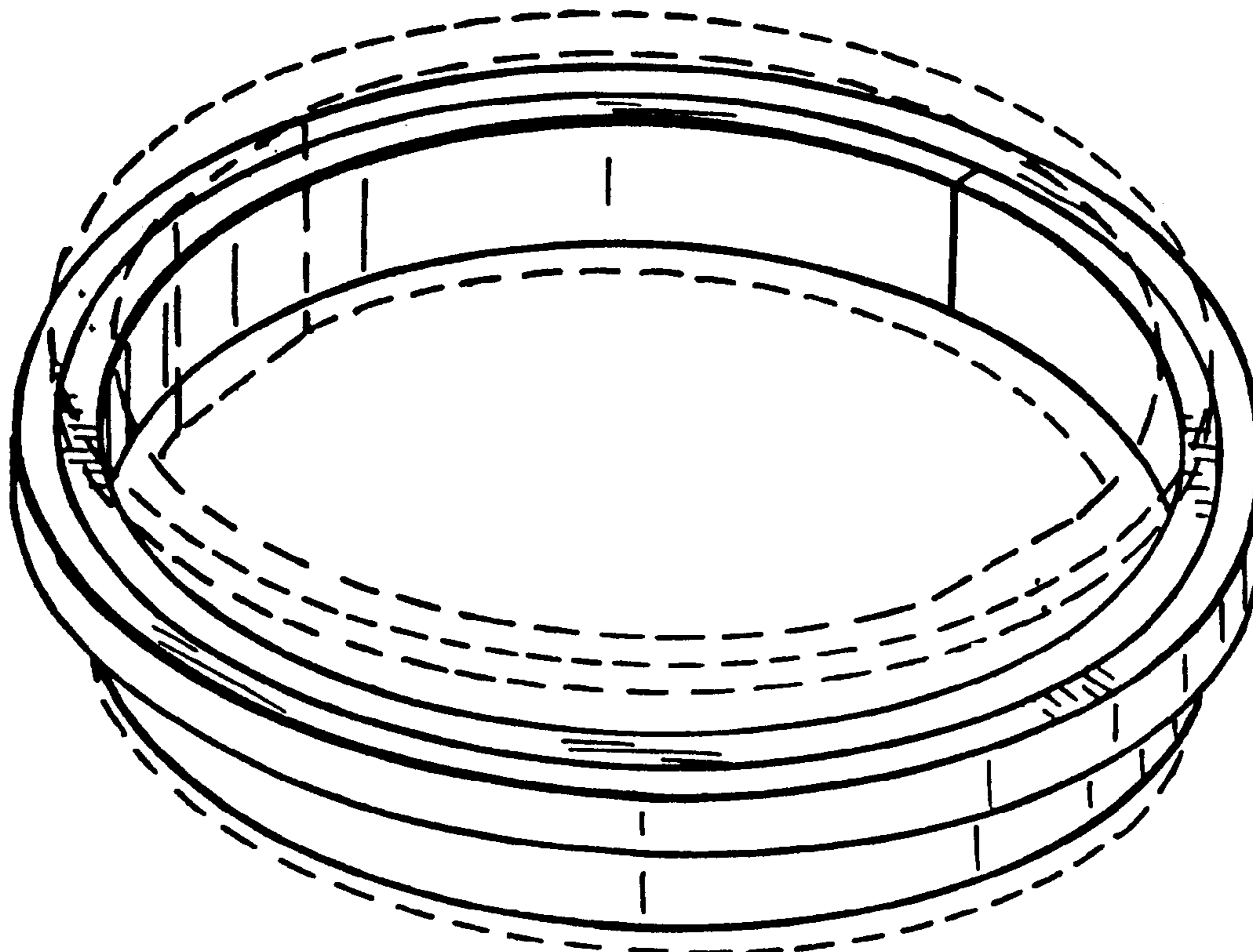


FIG-1

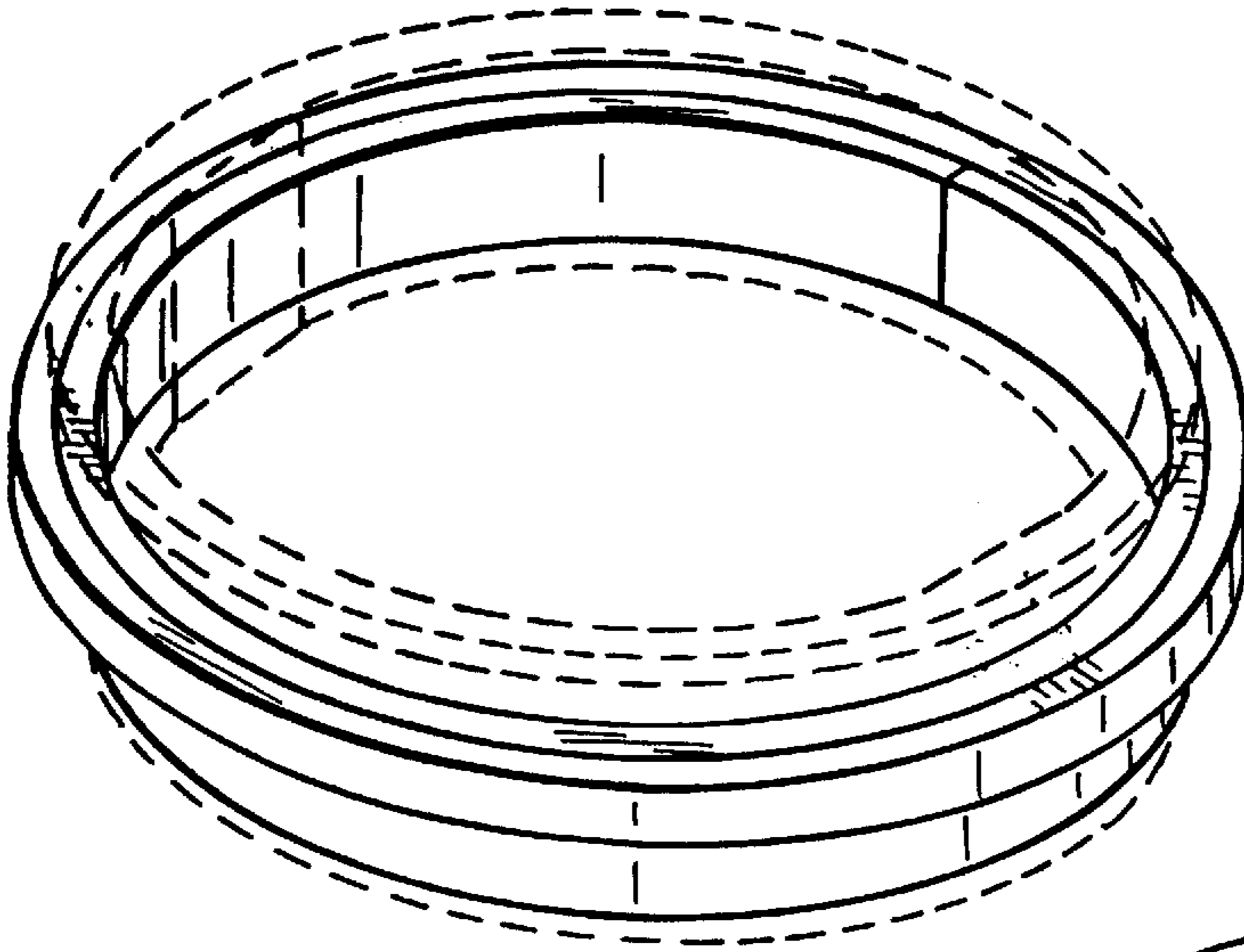


FIG-2

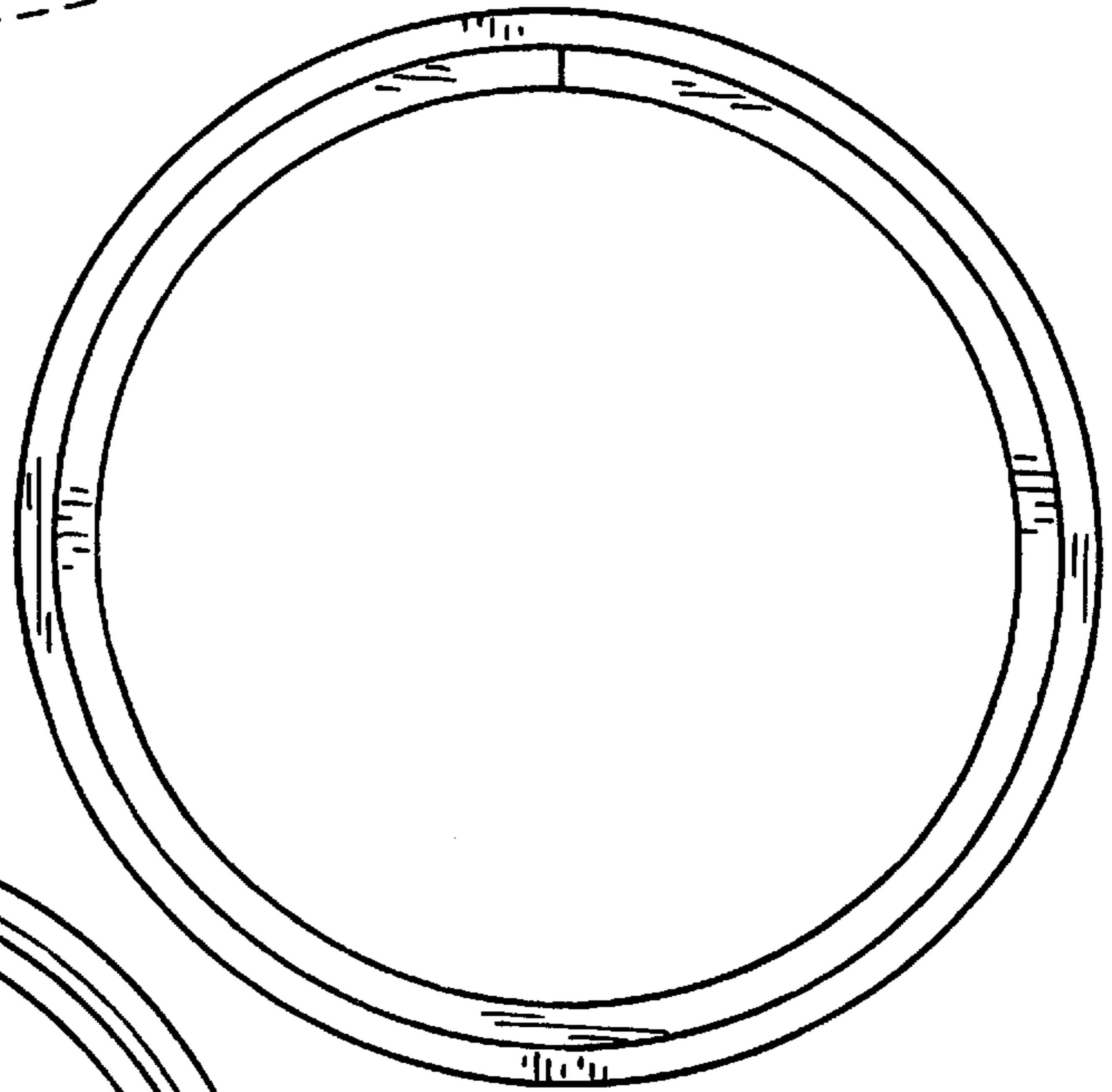


FIG-3

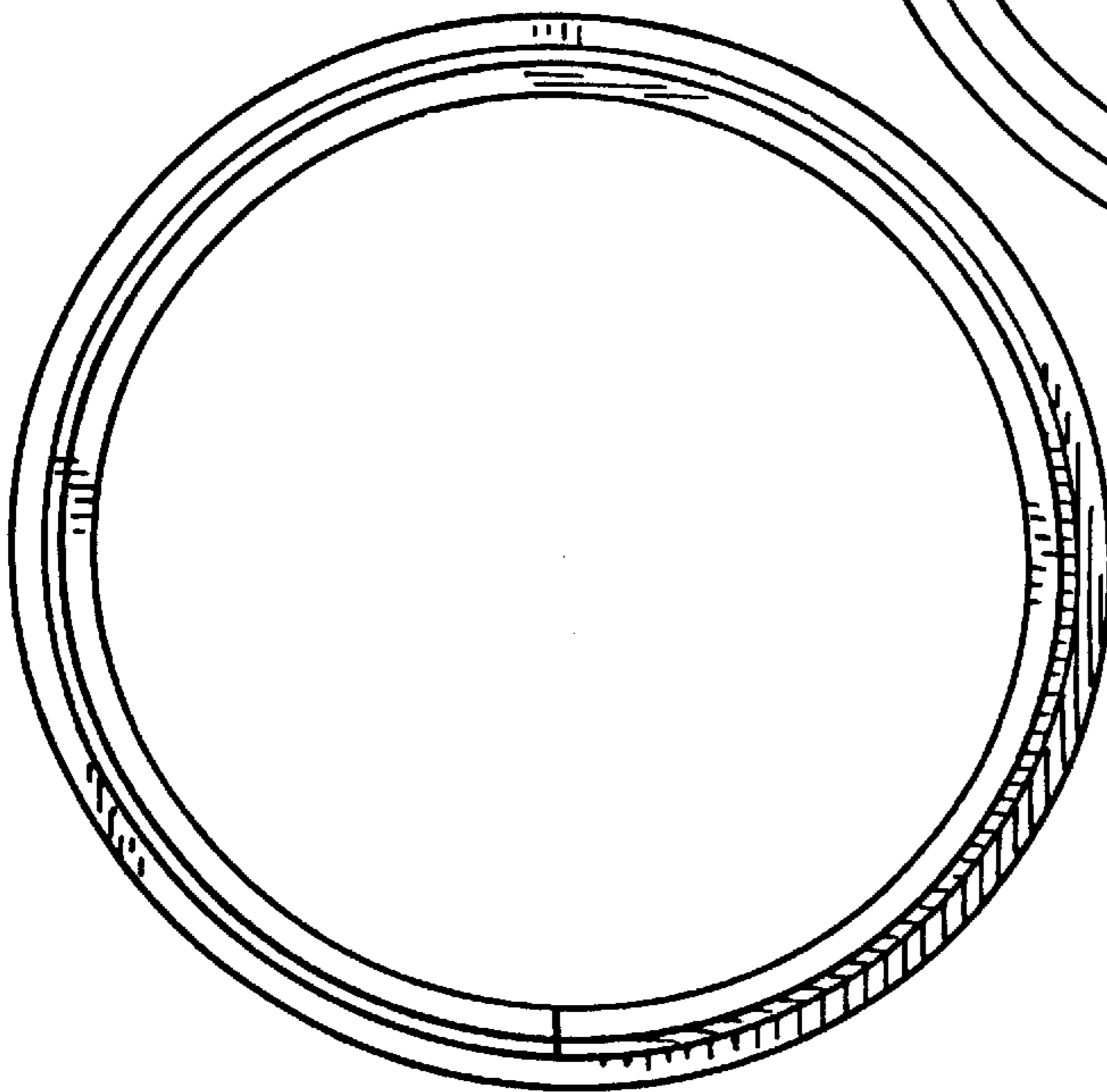


FIG-4

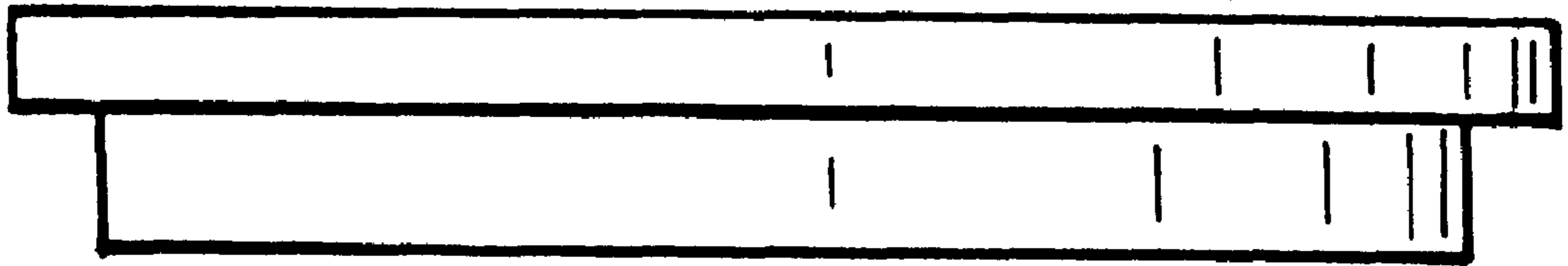


FIG-5

