



US00D471980S

(12) **United States Design Patent**
Caizza

(10) **Patent No.:** **US D471,980 S**

(45) **Date of Patent:** **** Mar. 18, 2003**

(54) **MEDICAL NEEDLE ASSEMBLY**

(75) Inventor: **Richard James Caizza**, Vernon, NJ (US)

(73) Assignee: **Becton, Dickinson and Company**, Franklin Lakes, NJ (US)

(**) Term: **14 Years**

(21) Appl. No.: **29/160,322**

(22) Filed: **May 9, 2002**

(51) **LOC (7) Cl.** **24-02**

(52) **U.S. Cl.** **D24/130**

(58) **Field of Search** D24/130, 112, D24/146, 147, 142; 604/263, 192, 240, 195, 164.02, 164.04, 164.07, 158, 506, 508, 168.01, 177, 110, 171, 164.11

5,201,716 A 4/1993 Richard 604/187

5,205,833 A 4/1993 Harsh et al. 604/240

5,217,436 A 6/1993 Farkas 604/187

5,246,423 A 9/1993 Farkas 604/240

5,458,580 A 10/1995 Hajishoreh 604/240

5,562,625 A 10/1996 Stefancin, Jr. 604/110

5,571,091 A * 11/1996 Davis et al. 604/164.11

D376,645 S * 12/1996 Lindgren et al. D24/130

5,588,966 A 12/1996 Atsumi 604/110

5,616,136 A 4/1997 Shillington et al. 604/240

5,632,728 A 5/1997 Hein 604/46

5,637,101 A 6/1997 Shillington 604/242

5,695,477 A 12/1997 Sfikas 604/241

5,713,876 A 2/1998 Bogert et al. 604/243

D421,119 S * 2/2000 Musgrave et al. D24/130

D426,305 S * 6/2000 Hein D24/142

6,096,010 A 8/2000 Walters et al. 604/207

6,241,710 B1 6/2001 Van Tassel et al. 604/272

D452,313 S * 12/2001 Niermann D24/130

* cited by examiner

Primary Examiner—Ian Simmons

(74) *Attorney, Agent, or Firm*—Webb Ziesenheim Logsdon Orkin & Hanson, P.C.

(56) **References Cited**

U.S. PATENT DOCUMENTS

1,567,463 A 12/1925 Platt et al. 604/241

2,604,890 A 7/1952 Burnside 128/218

3,119,391 A 1/1964 Harrison 128/221

3,194,237 A 7/1965 Rubin 128/253

3,512,520 A 5/1970 Cowan 128/2

3,890,972 A 6/1975 Standley et al. 128/220

3,905,371 A 9/1975 Stickl et al. 128/253

3,948,261 A 4/1976 Steiner 128/253

4,740,205 A 4/1988 Seltzer et al. 604/192

4,822,343 A 4/1989 Beiser 604/187

4,838,877 A 6/1989 Massau 604/272

4,904,244 A 2/1990 Harsh et al. 604/187

4,907,600 A 3/1990 Spencer 128/764

4,950,253 A 8/1990 Jacobs 604/218

4,993,426 A 2/1991 Spencer 128/763

(57) **CLAIM**

The ornamental design for a medical needle assembly, substantially as shown and described.

DESCRIPTION

FIG. 1 is an overall perspective view of a medical needle assembly with a holder showing my design;

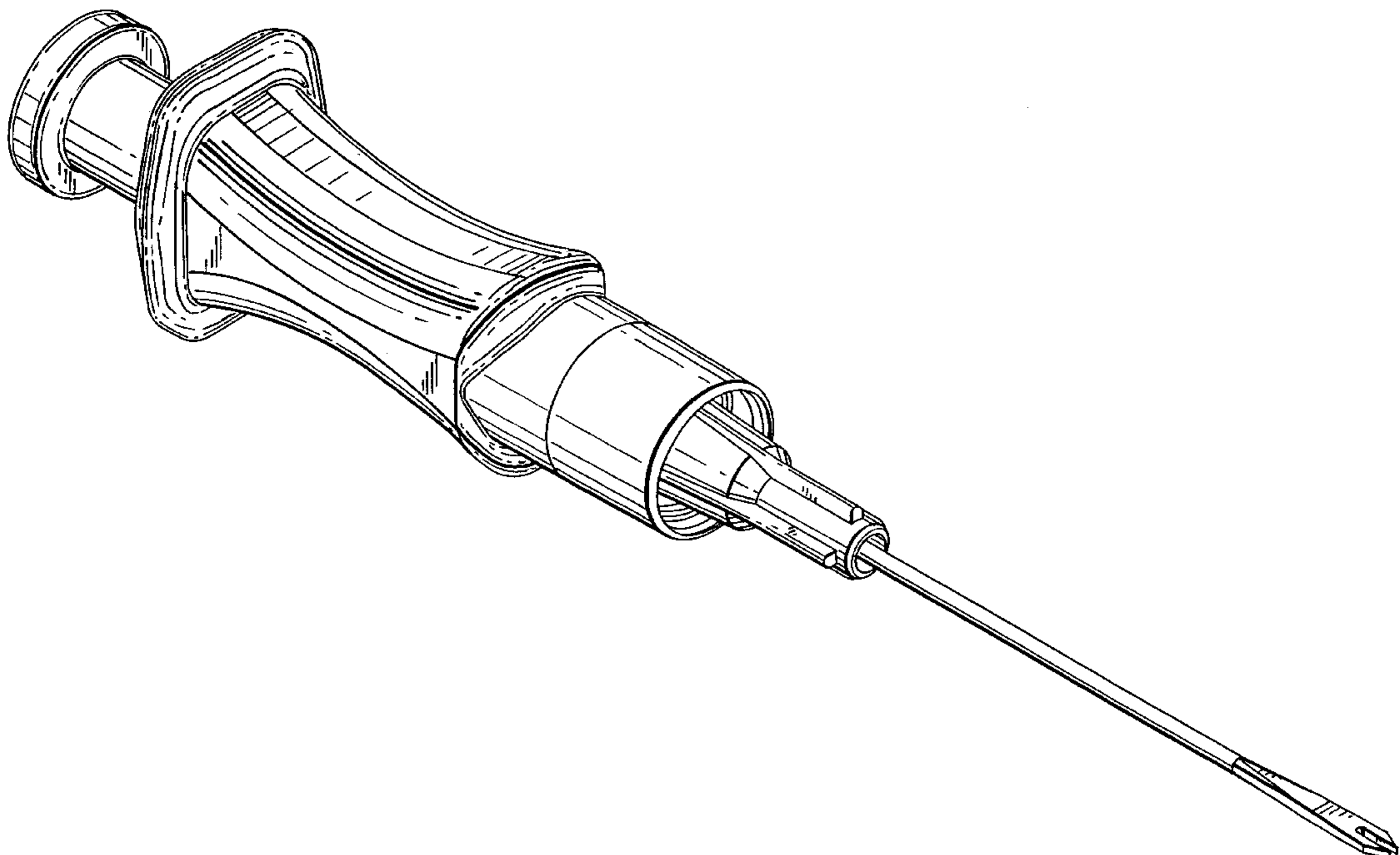
FIG. 2 is a top perspective view thereof;

FIG. 3 is a side perspective view thereof;

FIG. 4 is a rear perspective view thereof; and,

FIG. 5 is a front side perspective view thereof.

1 Claim, 3 Drawing Sheets



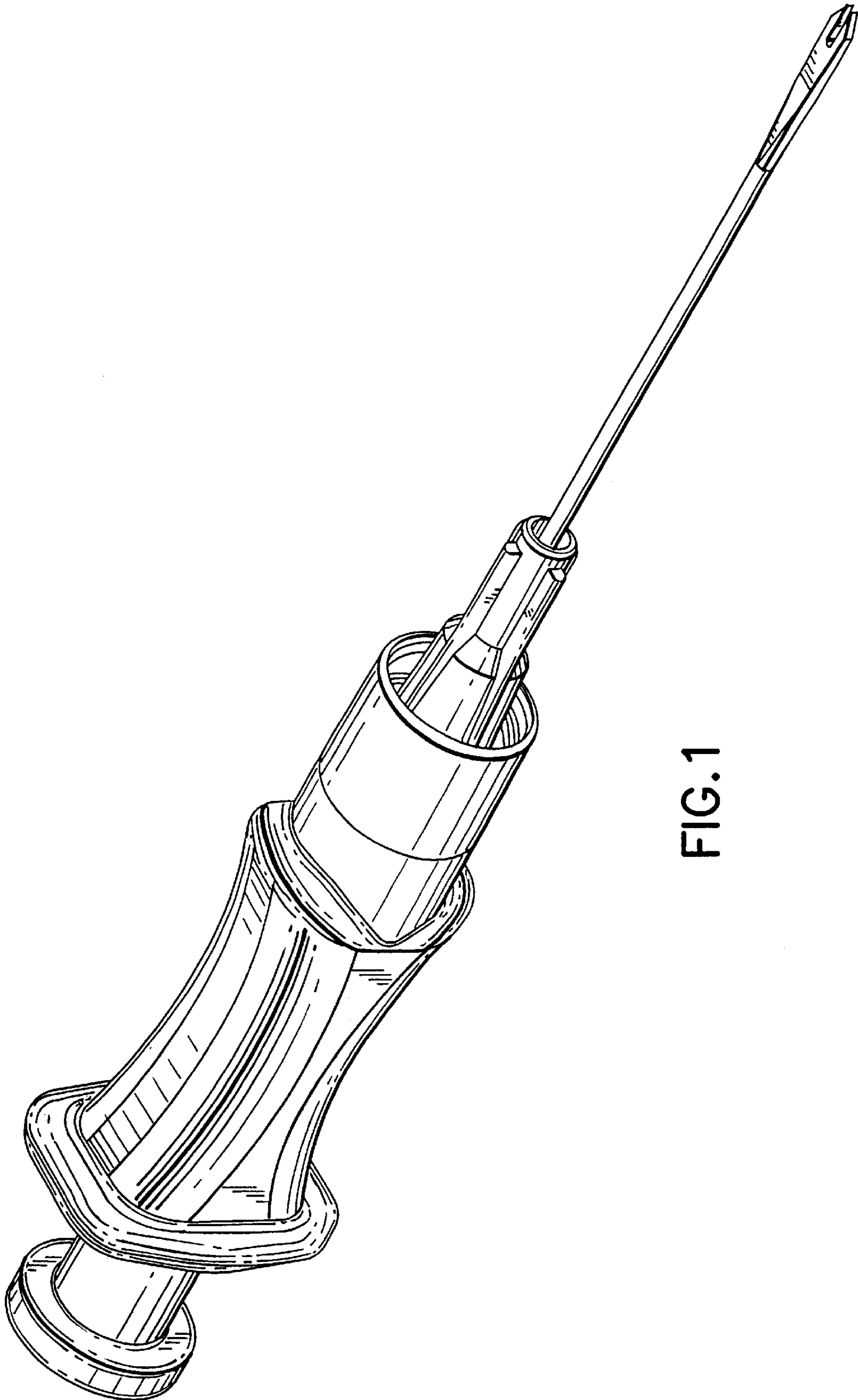


FIG. 1

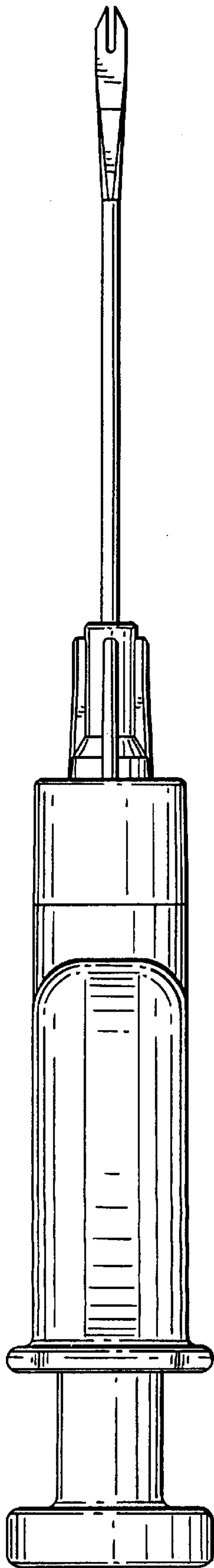


FIG. 2

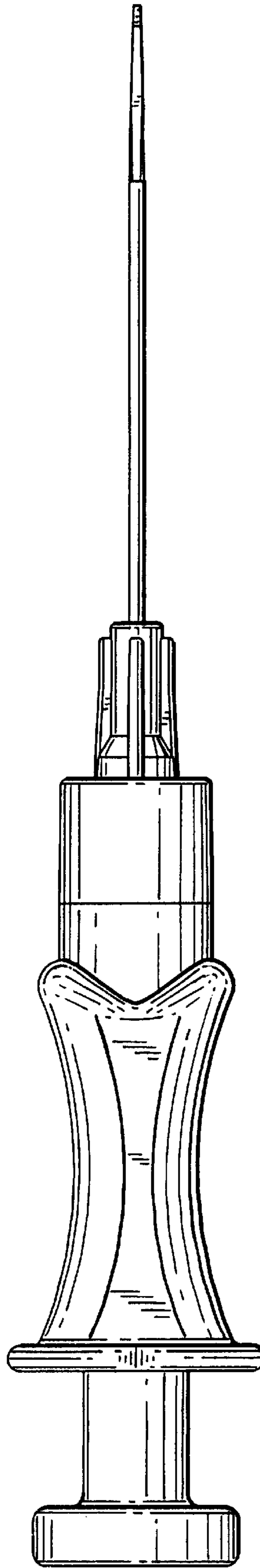


FIG. 3

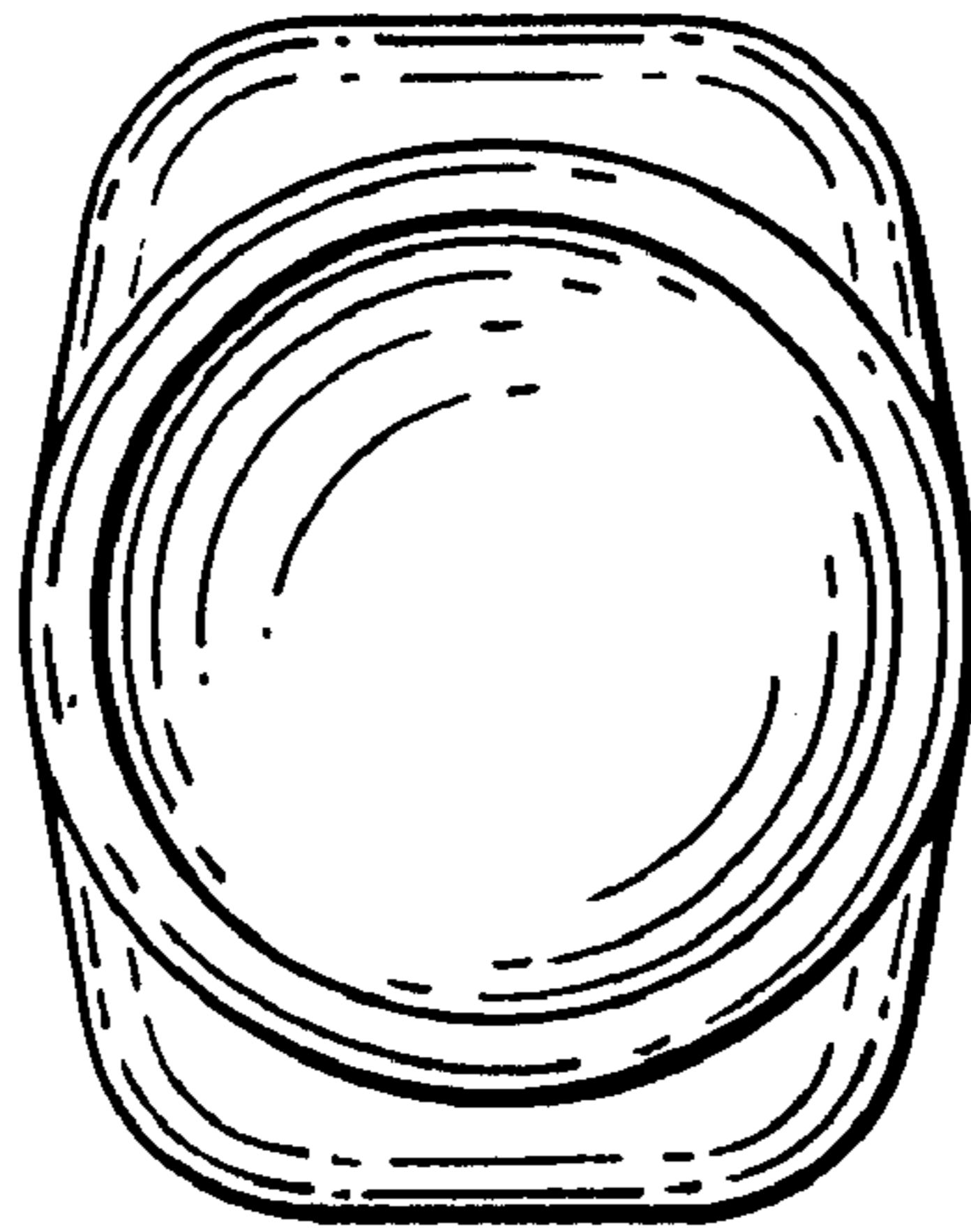


FIG. 4

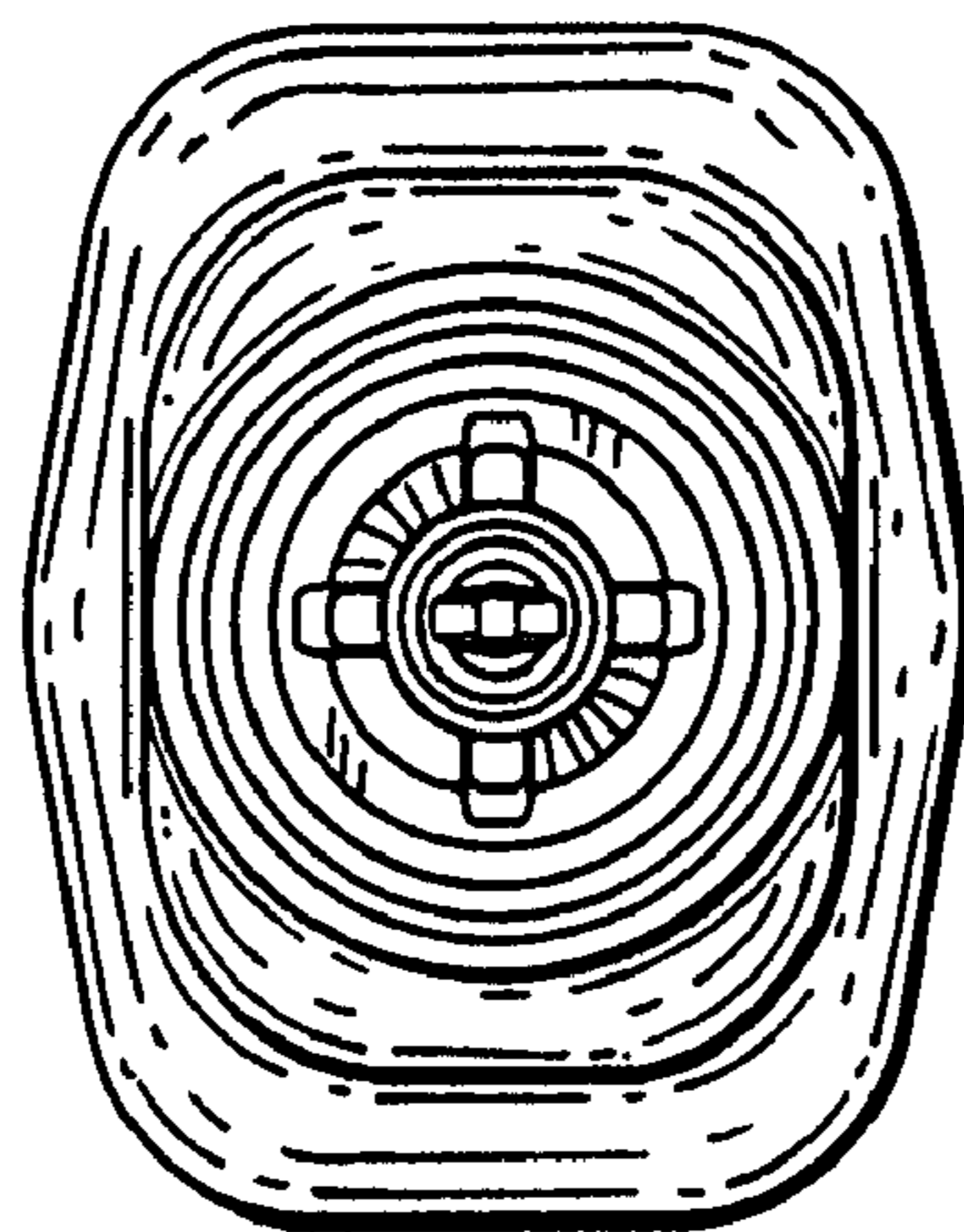


FIG. 5