



US00D471977S

(12) **United States Design Patent**
Levinson

(10) **Patent No.:** **US D471,977 S**

(45) **Date of Patent:** **** Mar. 18, 2003**

(54) **URINE COLLECTION DEVICE**

(76) Inventor: **Orde Levinson**, Caudwell's Castle,
Folly Bridge, Oxford OX1 4LB (GB)

(**) Term: **14 Years**

(21) Appl. No.: **29/153,391**

(22) Filed: **Jan. 8, 2002**

(30) **Foreign Application Priority Data**

Jul. 16, 2001 (GB) 2103229

(51) **LOC (7) Cl.** **24-04**

(52) **U.S. Cl.** **D24/122**

(58) **Field of Search** D24/122; 4/144.3,
4/144.4, 144.1, 144.2; 604/329, 331, 347,
355, 319

(56) **References Cited**

U.S. PATENT DOCUMENTS

3,750,647 A	8/1973	Gleason et al.	
4,494,581 A	1/1985	Gordon	
4,815,151 A	3/1989	Ball	
5,894,608 A *	4/1999	Birbara	4/144.3
6,021,531 A *	2/2000	Kirko	4/144.1

FOREIGN PATENT DOCUMENTS

EP	0 464 575 A1	1/1992
FR	2 590 160	5/1987

GB	2 107 190 A	4/1983
GB	2 247 626 A	3/1992
WO	WO 90/13280	11/1990
WO	WO 98/43563	10/1998

OTHER PUBLICATIONS

Product Reference Card, Beambridge Medical, Surrey, UK.
Portable Urinal 51150, Advertising Brochure.
URLbag and URLfem, Advertising Brochure, Manfred Sauer GmbH, Northampton, UK.
EWZ Travel Pack, Advertising Brochure.

* cited by examiner

Primary Examiner—Ian Simmons

(74) *Attorney, Agent, or Firm*—Lawrence E. Laubscher, Jr.

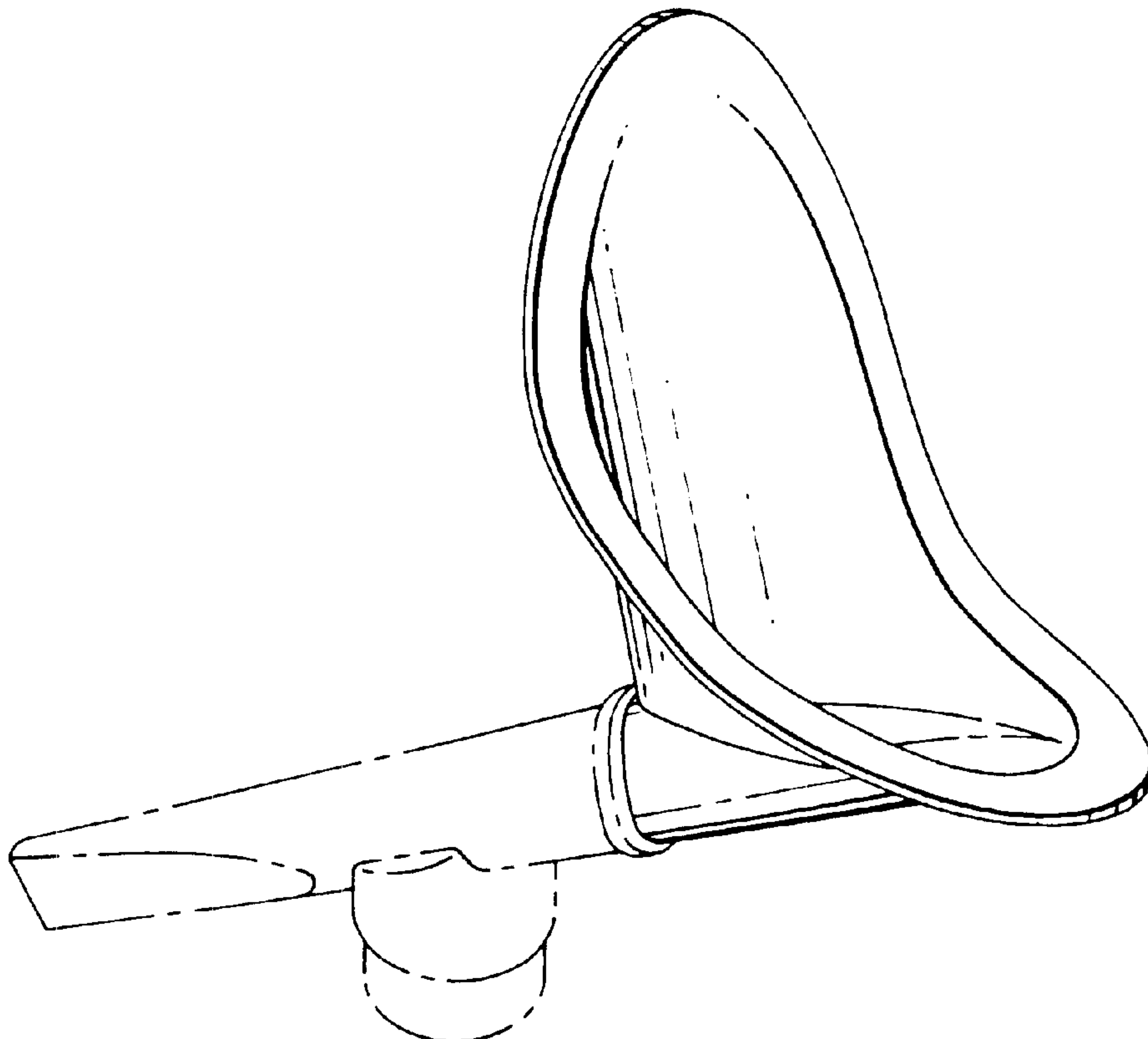
(57) **CLAIM**

The ornamental design for a urine collection device, as shown and described.

DESCRIPTION

FIG. 1 is a rear left side perspective view of the invention illustrating my design;
FIG. 2 is a left side elevation view thereof;
FIG. 3 is a bottom elevation view thereof; and,
FIG. 4 is a front right side perspective view thereof.
The broken line showing is for illustrative purposes only and forms no part of the claimed design.

1 Claim, 3 Drawing Sheets



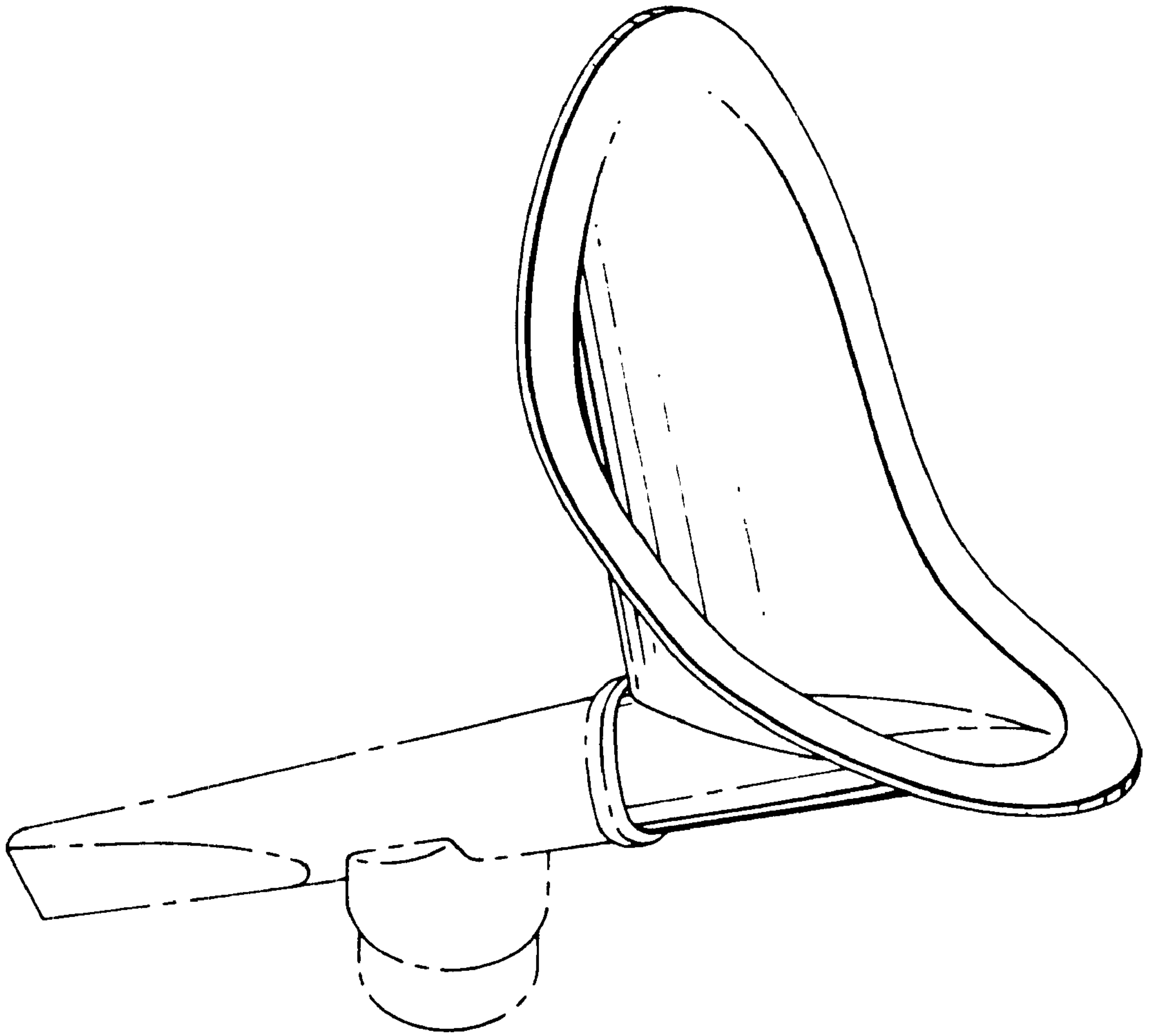


FIG. 1

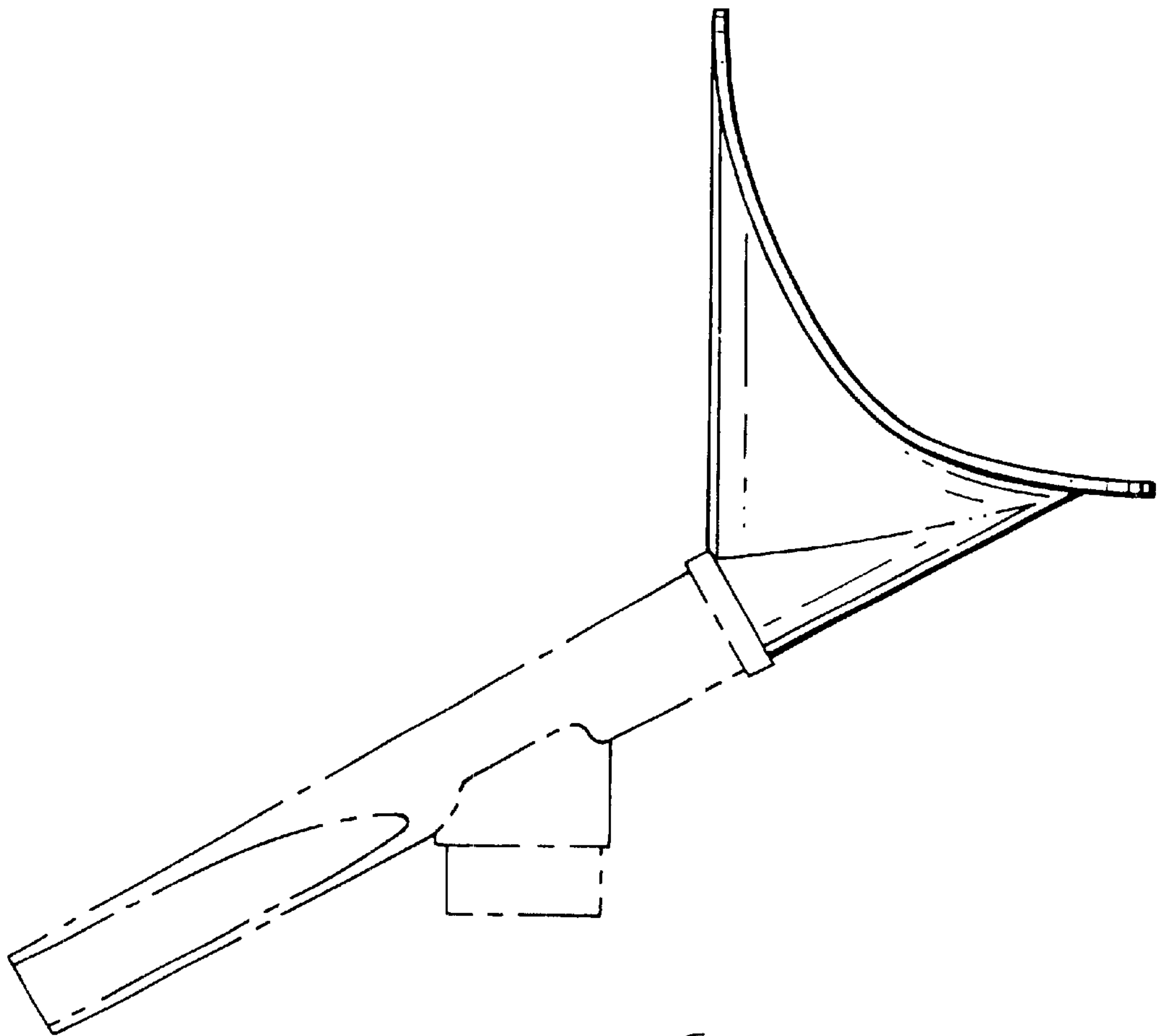


FIG. 2

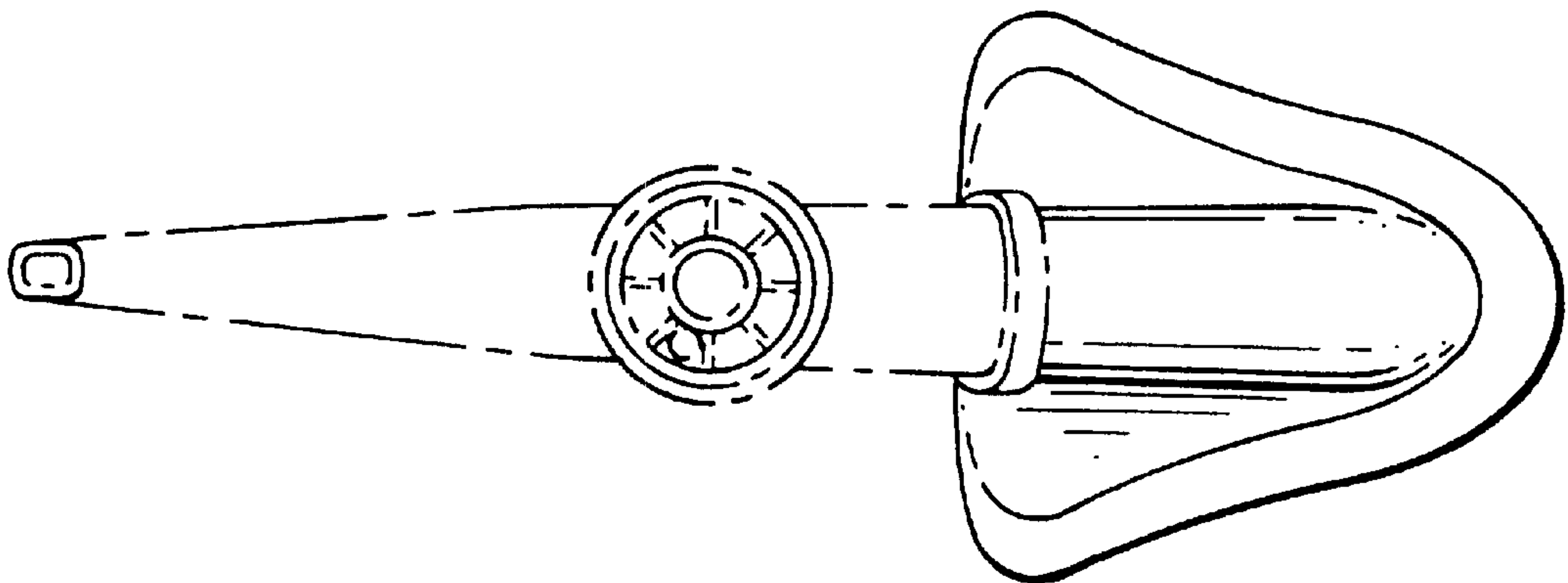


FIG. 3

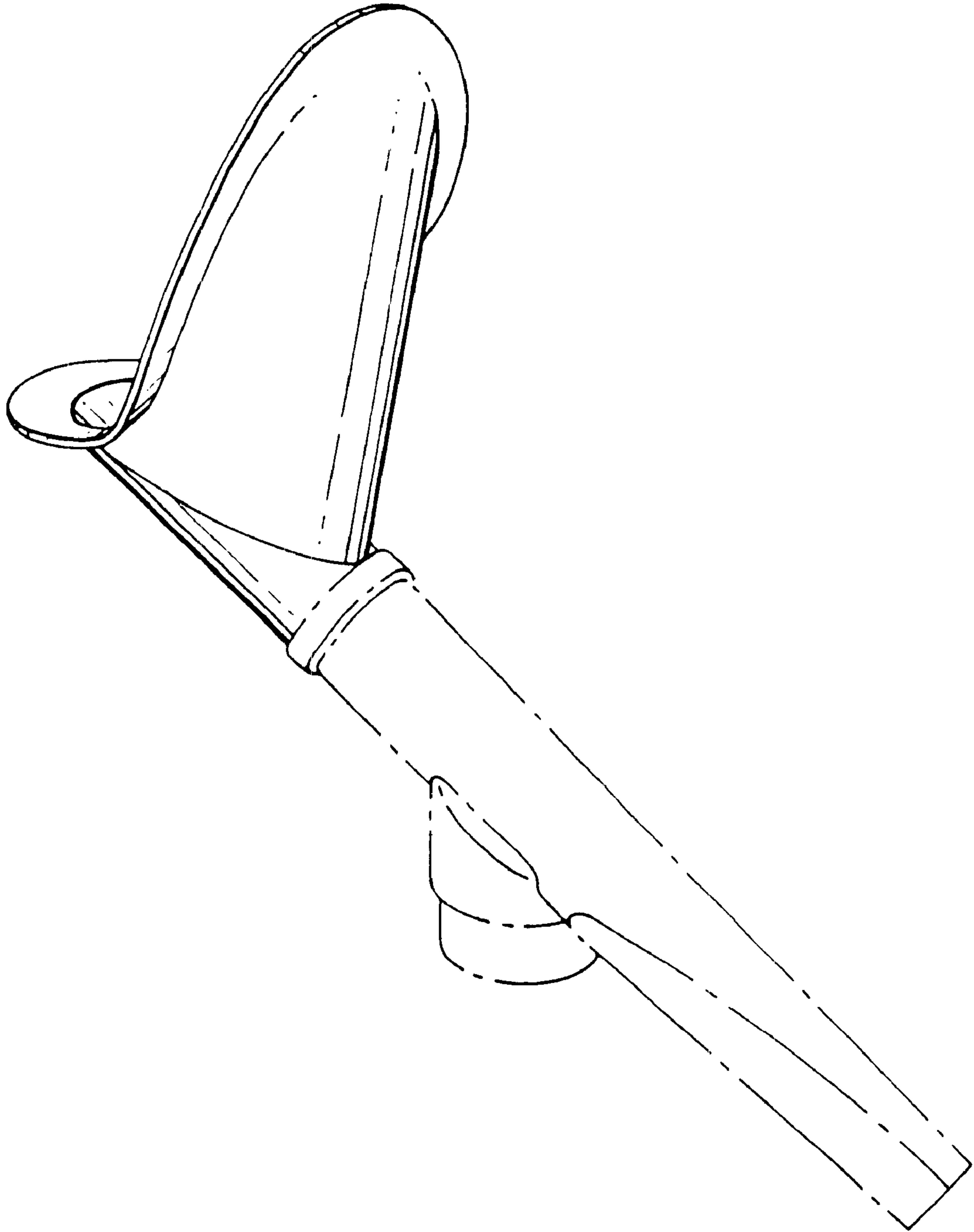


FIG. 4