



US00D471976S

(12) **United States Design Patent**
Pavlu et al.

(10) **Patent No.:** **US D471,976 S**

(45) **Date of Patent:** **** Mar. 18, 2003**

(54) **INJECTOR**

(75) Inventors: **Bohdan Pavlu**, Nacka (SE);
Carl-Göran Crafoord, Danderyd (SE);
Jonas Fridholm, Bromma (SE); **Hans**
Himbert, Bromma (SE); **Ulrika**
Vejbrink, Stockholm (SE); **Daniel**
Höglund, Stockholm (SE)

(73) Assignee: **Pharmacia AB**, Stockholm (SE)

(**) Term: **14 Years**

(21) Appl. No.: **29/152,494**

(22) Filed: **Dec. 26, 2001**

(30) **Foreign Application Priority Data**

Jun. 27, 2001 (SE) 01-1082

(51) **LOC (7) Cl.** **24-02**

(52) **U.S. Cl.** **D24/114; D24/112**

(58) **Field of Search** **D24/114, 112;**
604/65, 207, 198

(56) **References Cited**

U.S. PATENT DOCUMENTS

D351,465 S * 10/1994 Stringer et al. D24/112

D351,466 S * 10/1994 Stringer et al. D24/112
5,536,249 A * 7/1996 Castellano et al. 604/65
D380,827 S * 7/1997 Stringer et al. D24/112
D453,569 S * 2/2002 Himbert D24/112

* cited by examiner

Primary Examiner—Ian Simmons

(74) *Attorney, Agent, or Firm*—Young & Thompson

(57) **CLAIM**

The ornamental design for an injector, as shown.

DESCRIPTION

FIG. 1 is a left side perspective view of an injector seen slightly from below, showing our new design;

FIG. 2 is a right side elevational view thereof;

FIG. 3 is a left side elevational view thereof;

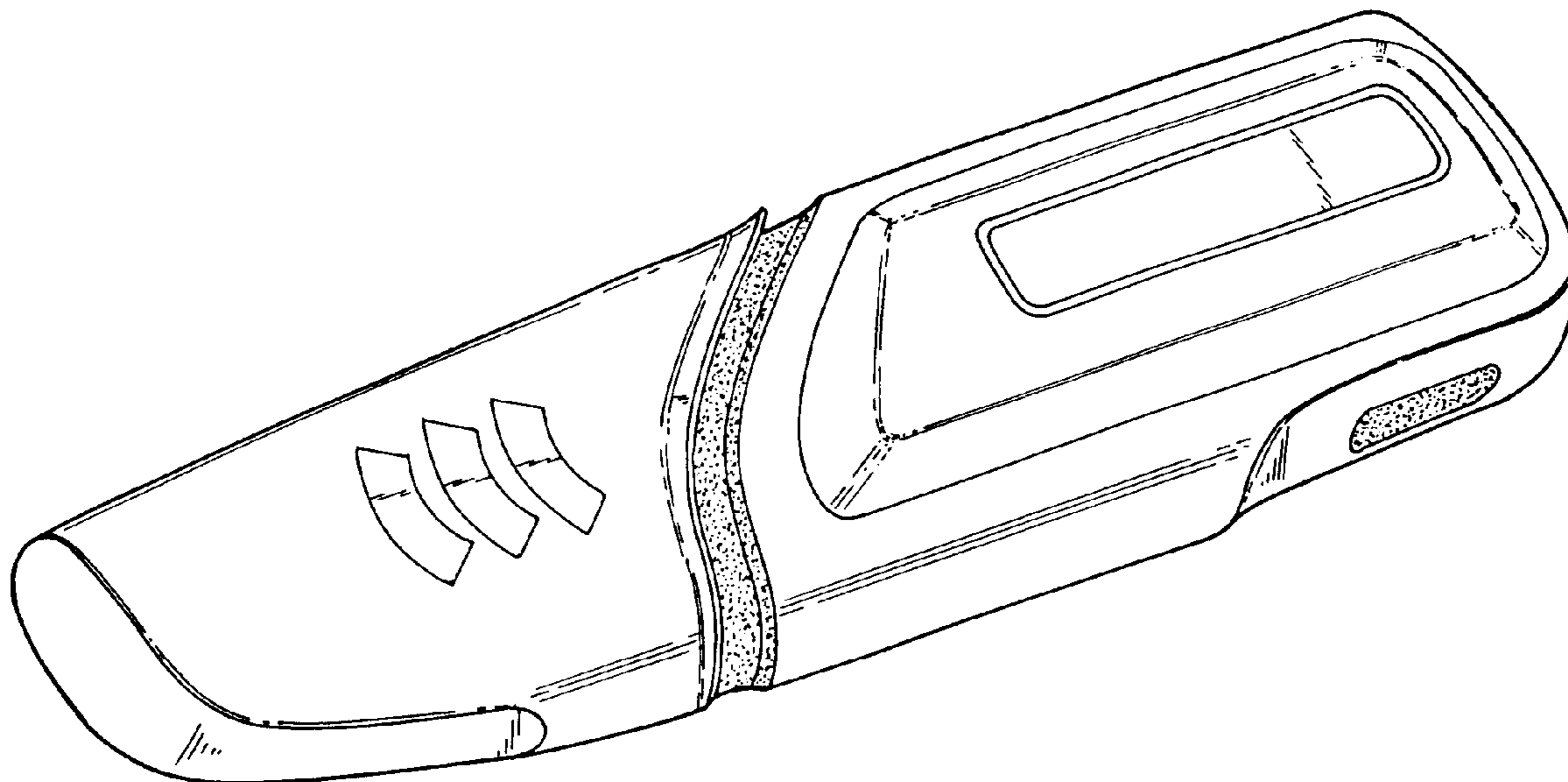
FIG. 4 is a top plan view thereof;

FIG. 5 is a bottom plan view thereof;

FIG. 6 is a rear view thereof; and,

FIG. 7 is a front view thereof.

1 Claim, 3 Drawing Sheets



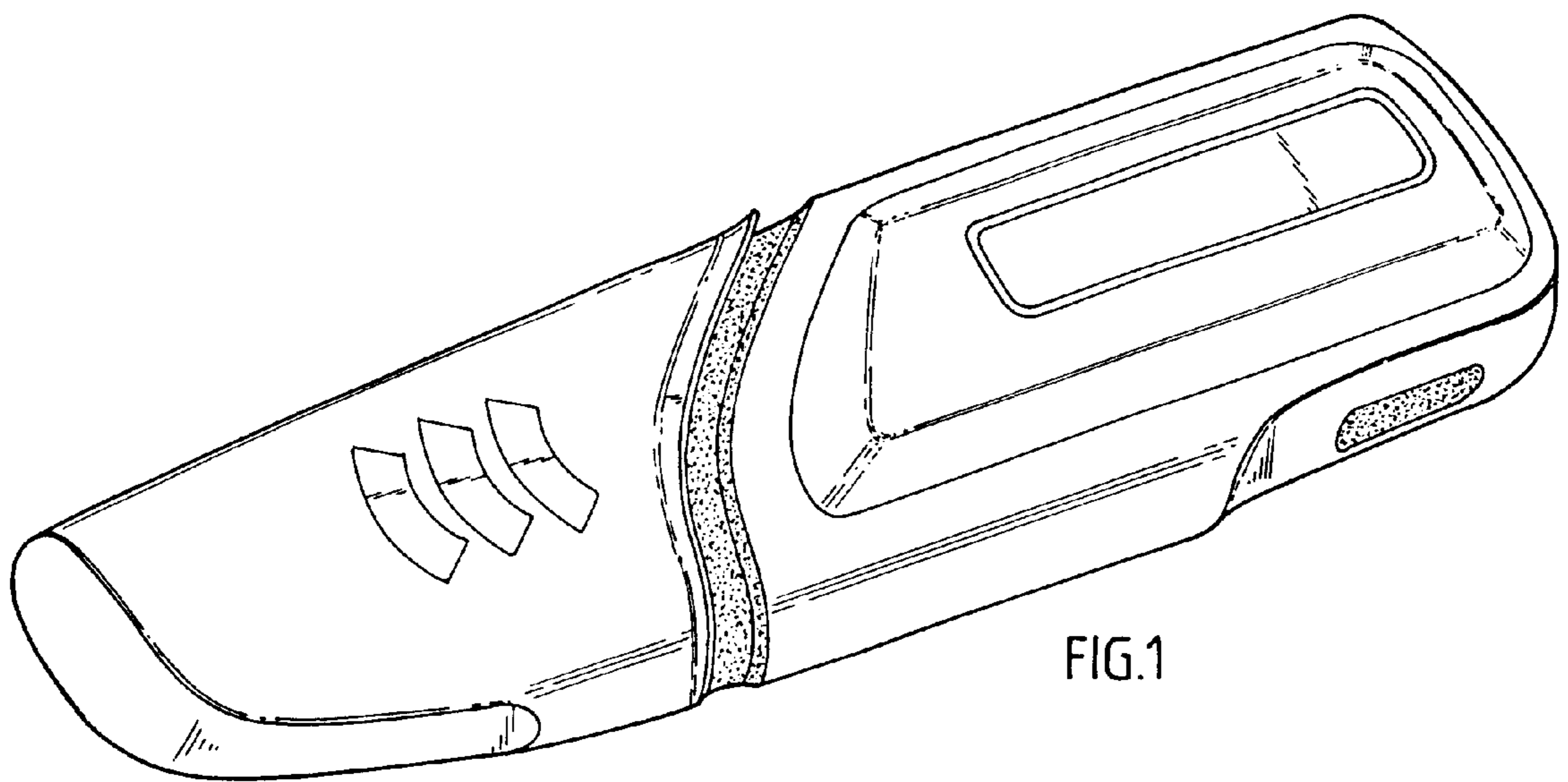


FIG. 1

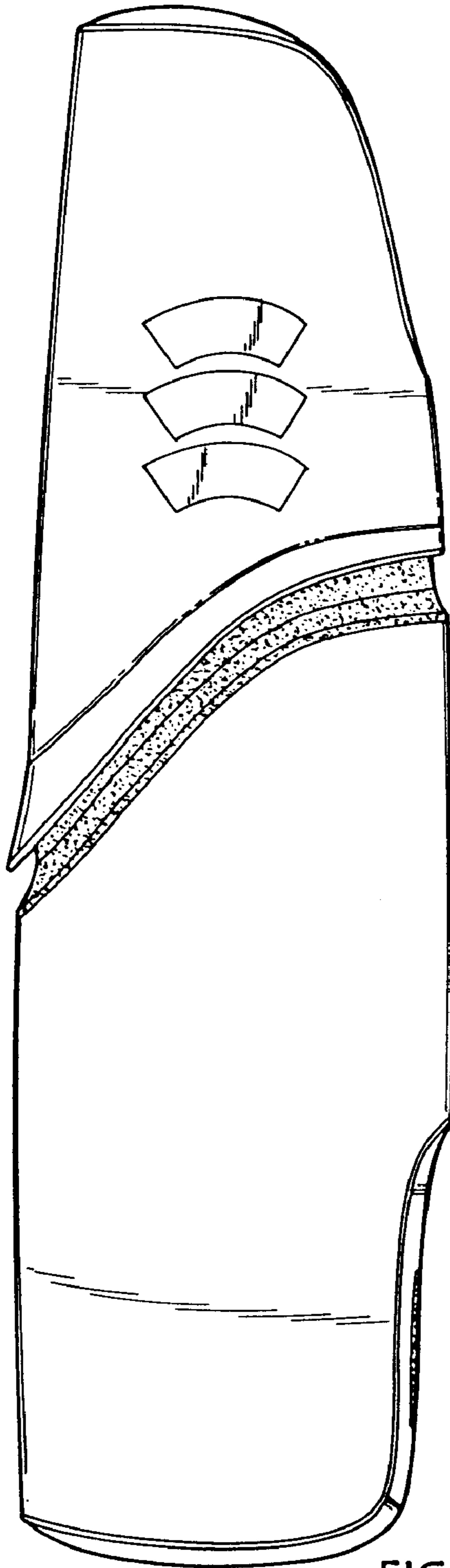


FIG. 2

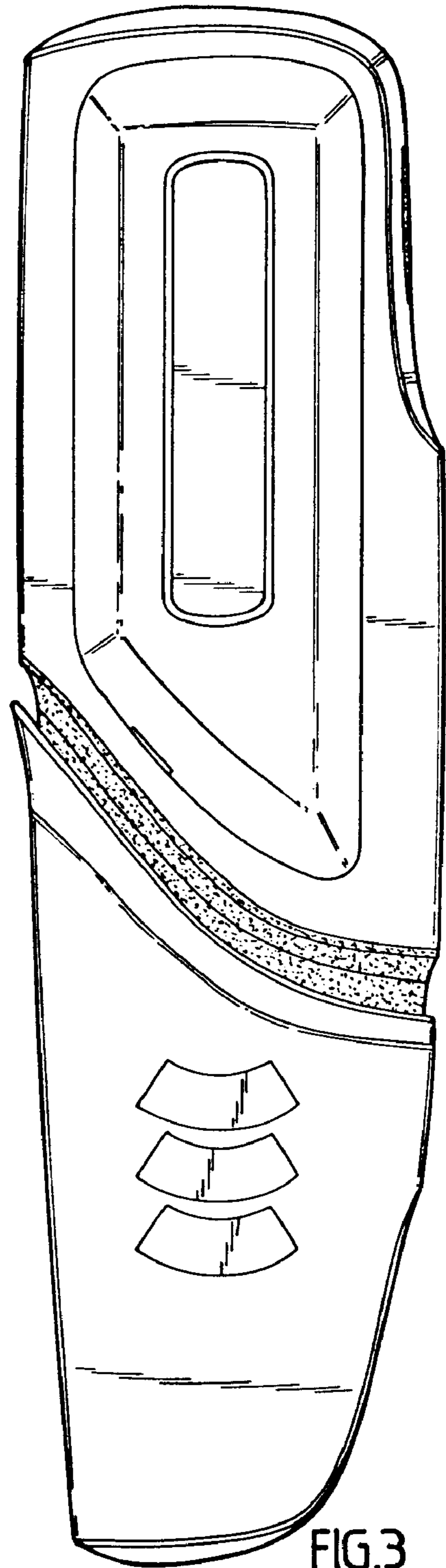


FIG. 3

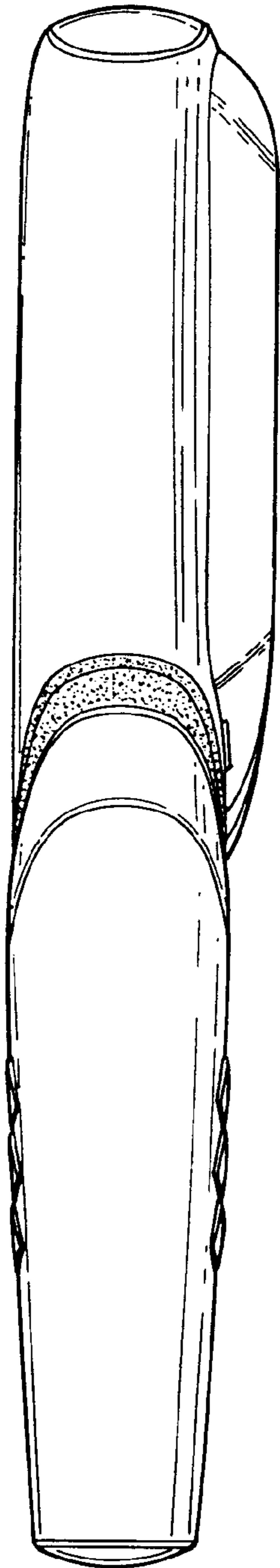


FIG. 4



FIG. 5

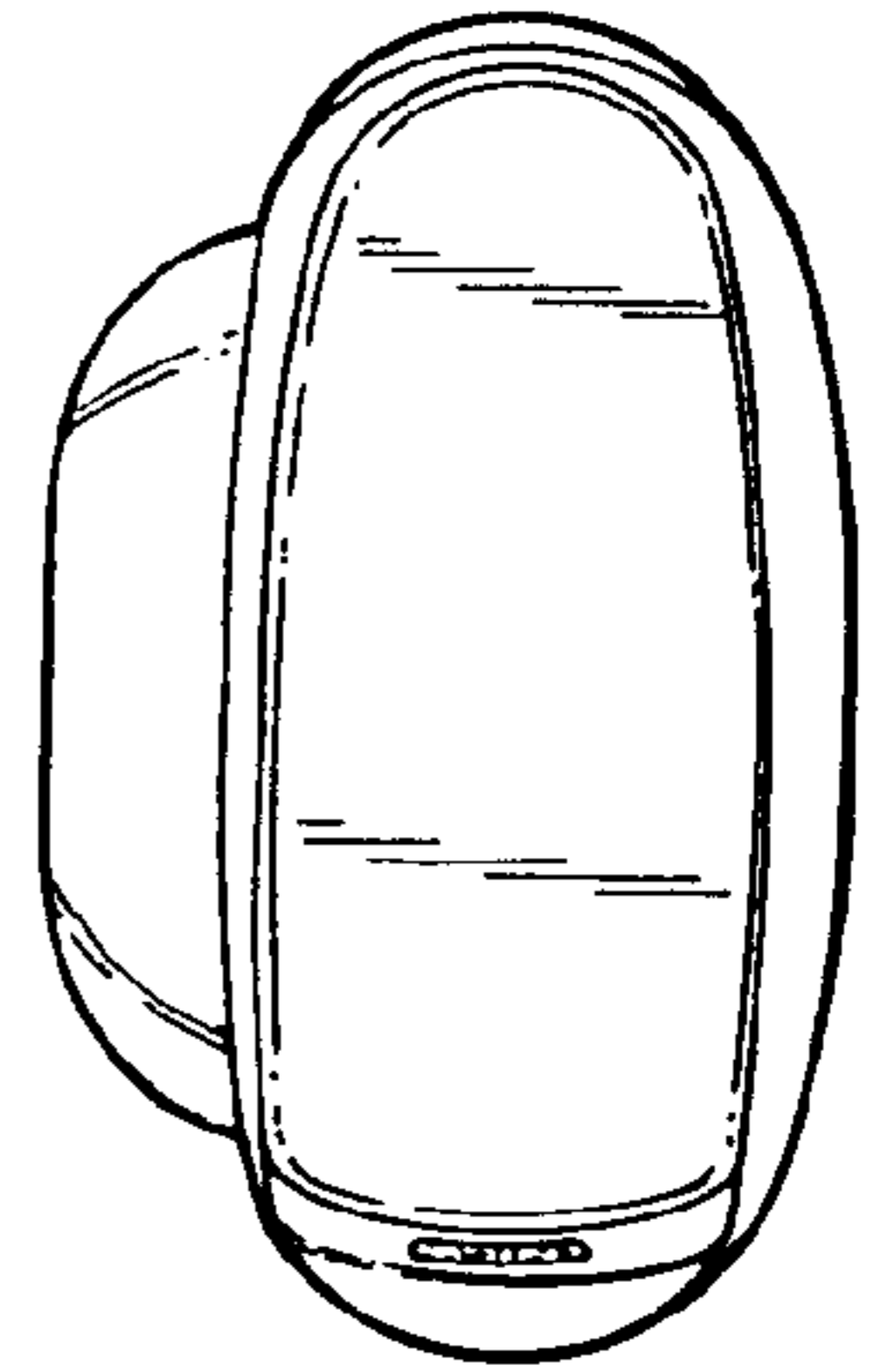


FIG. 6

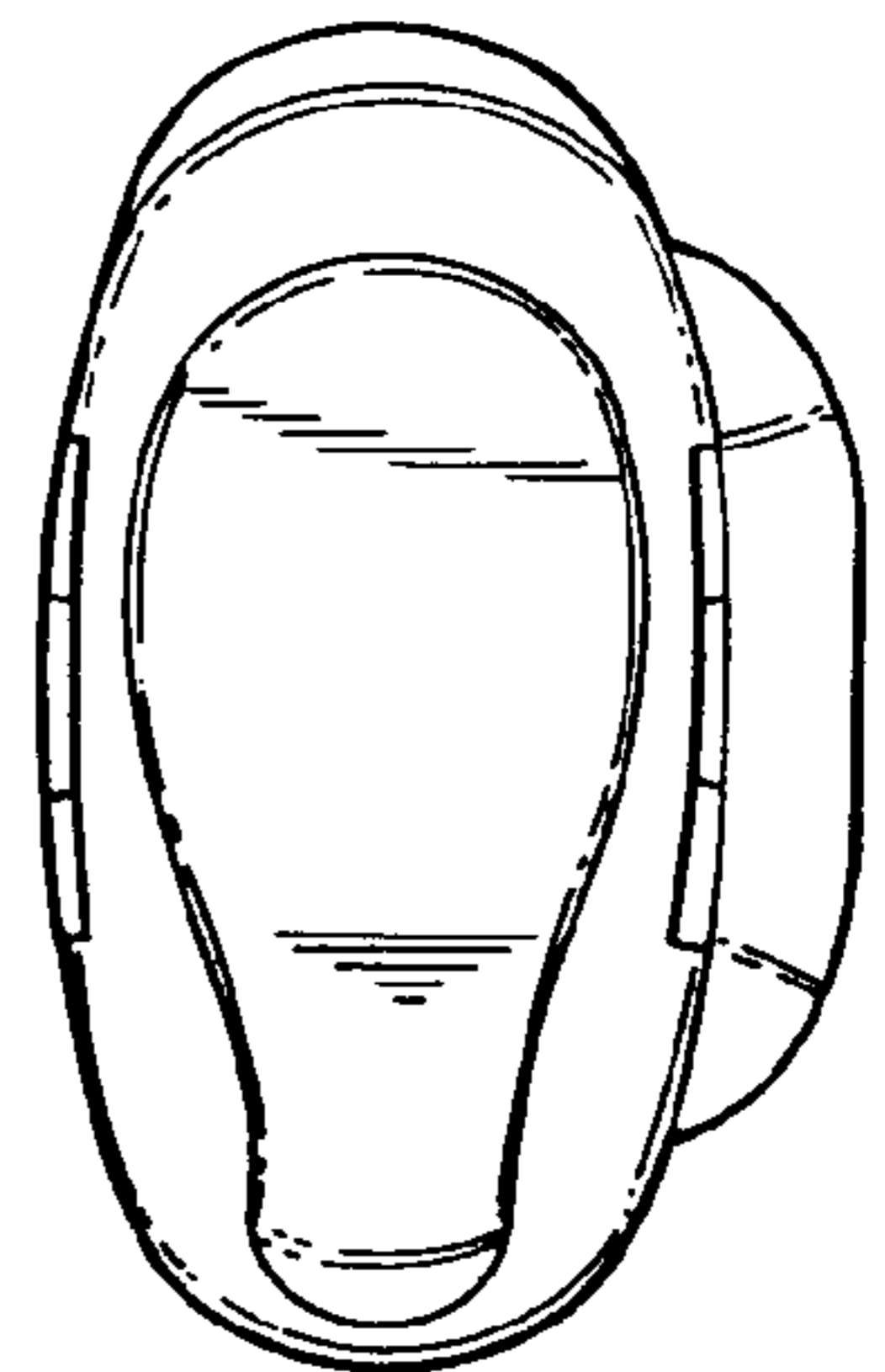


FIG. 7