



US00D471973S

(12) **United States Design Patent**
Gillissen et al.

(10) **Patent No.: US D471,973 S**
(45) **Date of Patent: ** Mar. 18, 2003**

(54) **APPLICATOR FOR A NASAL DELIVERY DEVICE**

(75) Inventors: **Hans Gillissen, Oss (NL); Kees Govers, Oss (NL)**

(73) Assignee: **N.V. Organon, Oss (NL)**

(**) Term: **14 Years**

(21) Appl. No.: **29/155,278**

(22) Filed: **Feb. 7, 2002**

(30) **Foreign Application Priority Data**

Aug. 8, 2001 (XH) DMA/005 476

(51) **LOC (7) Cl. 29-02**

(52) **U.S. Cl. D24/110**

(58) **Field of Search D24/110, 115, D24/114; D9/434, 447, 300; 128/203.15, 200.14, 203.18, 200.12; 222/320, 321, 153, 43, 321.1, 162, 309, 386**

(56) **References Cited**

U.S. PATENT DOCUMENTS

- 4,946,069 A * 8/1990 Fuchs 222/320
- D340,186 S * 10/1993 Rand et al. D24/110
- D349,236 S * 8/1994 Moore D24/110
- 5,511,698 A * 4/1996 Solignac 222/386
- D414,261 S * 9/1999 Ritsche D24/110
- 5,947,340 A 9/1999 Arnold et al. 222/321.9
- 6,257,457 B1 * 7/2001 Oechsel 222/386
- 6,398,074 B1 * 6/2002 Bruna et al. 222/386

FOREIGN PATENT DOCUMENTS

DE 199 05 993 A1 8/2000 B65D/83/00

EP	0 486 894 A1	5/1992	A61M/35/00
FR	2 510 071	1/1983	B65D/47/24
FR	2 773 135	7/1999	B65D/81/32
WO	00/10910	3/2000	B67D/5/64

OTHER PUBLICATIONS

Derwent abstract No.: 003584178 Abstracting French Patent No.: 2 510 071.

Derwent abstract No.: 0126001345 Abstracting German Patent No.: 199 05 993 A1.

Derwent abstract No.: 013328116 Abstracting French Patent No.: 2 773 135 A1.

European Search Report for EP 01 20 2277 dated: Sep. 10, 2001.

* cited by examiner

Primary Examiner—Ian Simmons

(74) *Attorney, Agent, or Firm*—Joan M. McGillicuddy

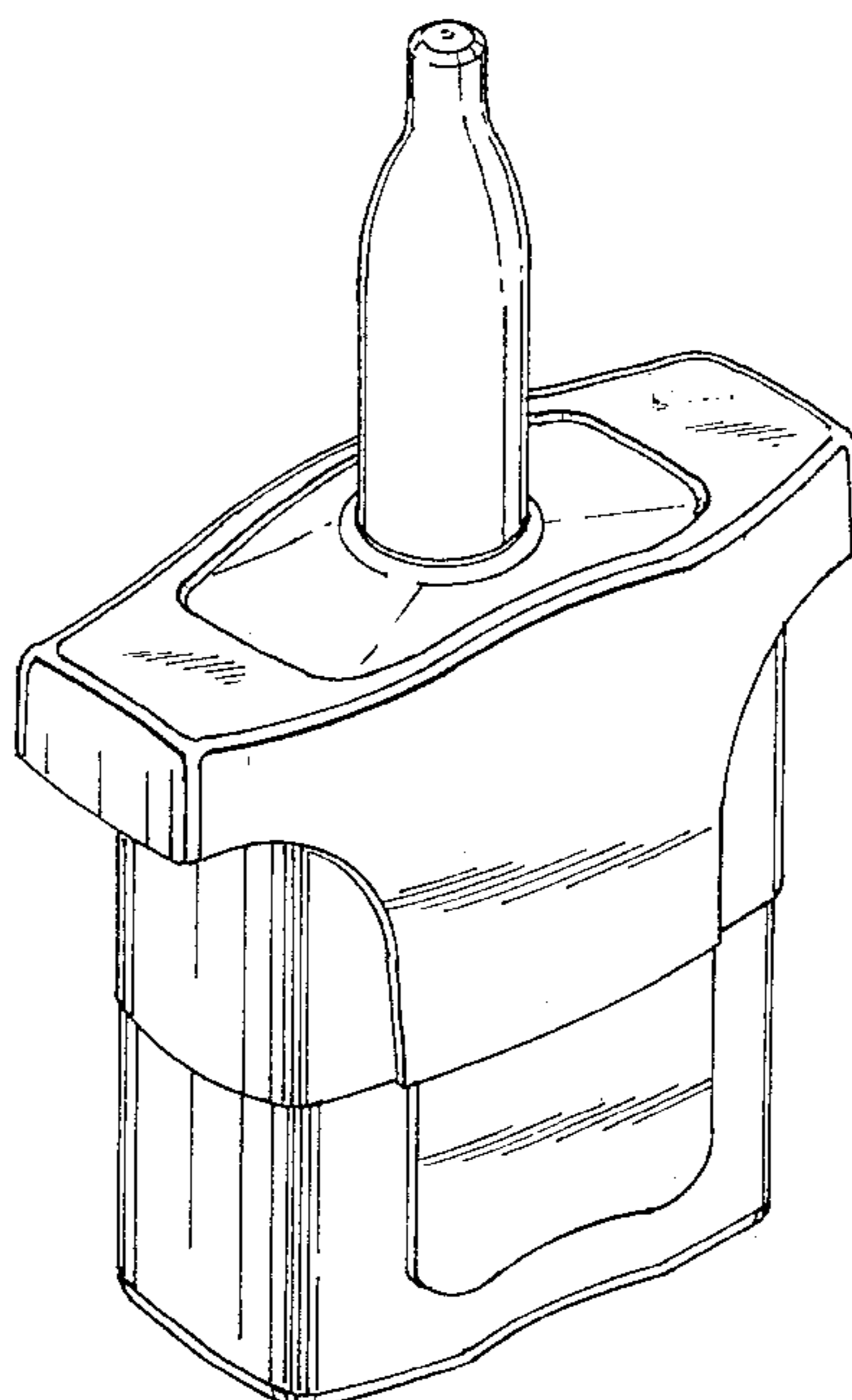
(57) **CLAIM**

The ornamental designs for an applicator for a nasal delivery device, as shown and described.

DESCRIPTION

FIG. 1 is a perspective view from above thereof;
 FIG. 2 is a view from the front thereof and the back view is identical;
 FIG. 3 is a view from the top thereof;
 FIG. 4 is a view from the side thereof and each side is identical; and,
 FIG. 5 is a view from bottom thereof, the broken line showing is for illustrative purposes only and forms no part of the claimed design.

1 Claim, 2 Drawing Sheets



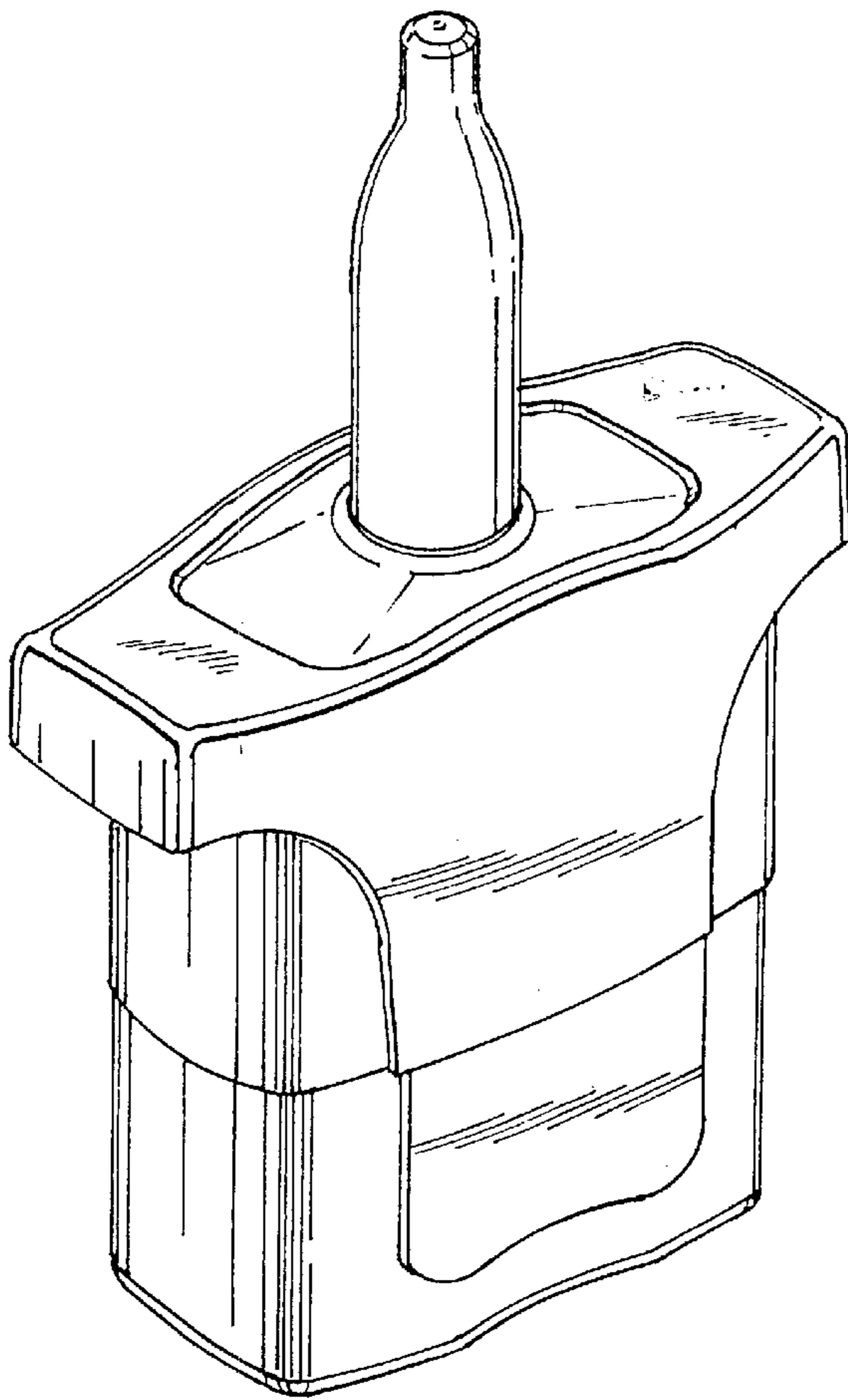


Fig. 1

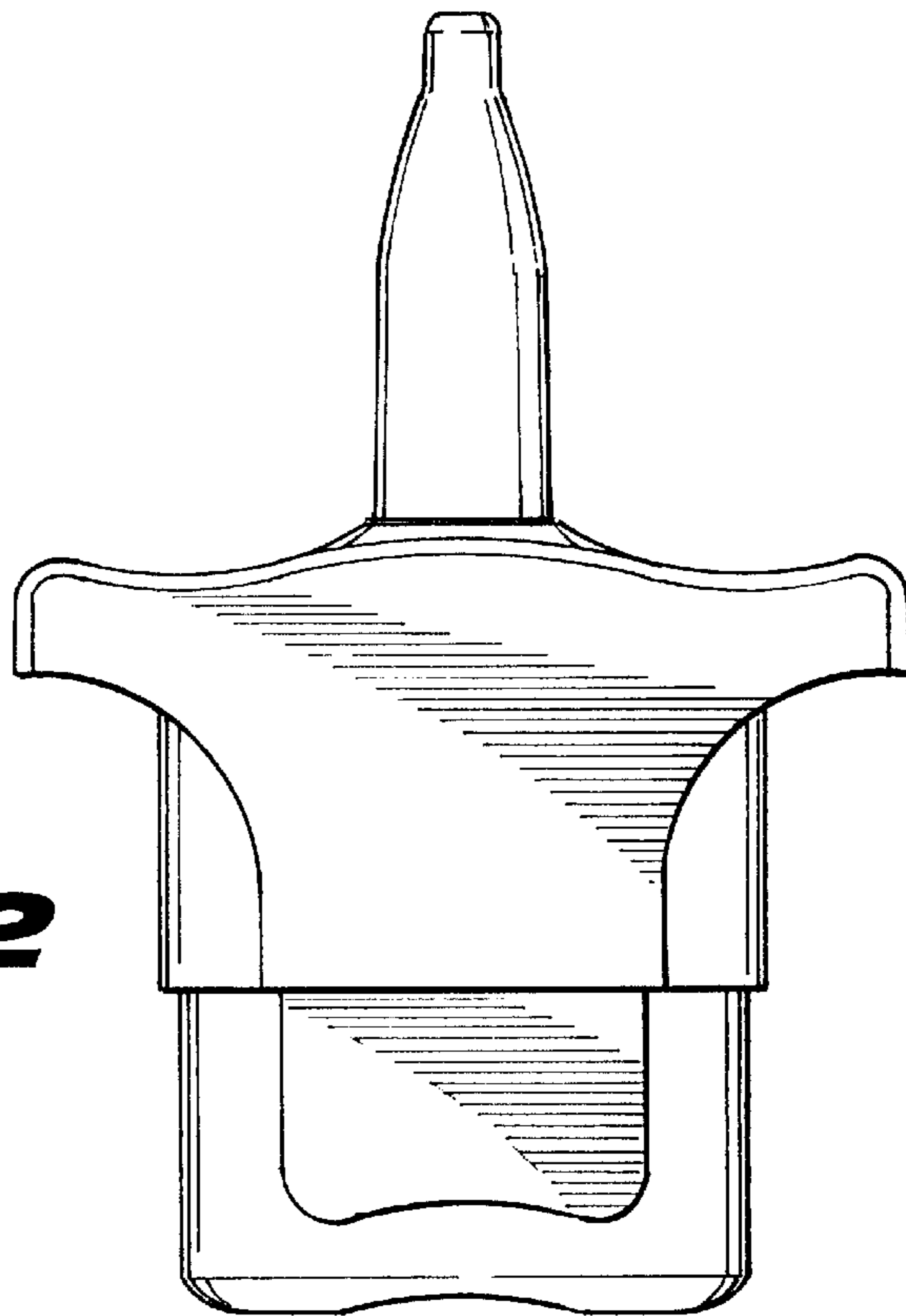


Fig. 2

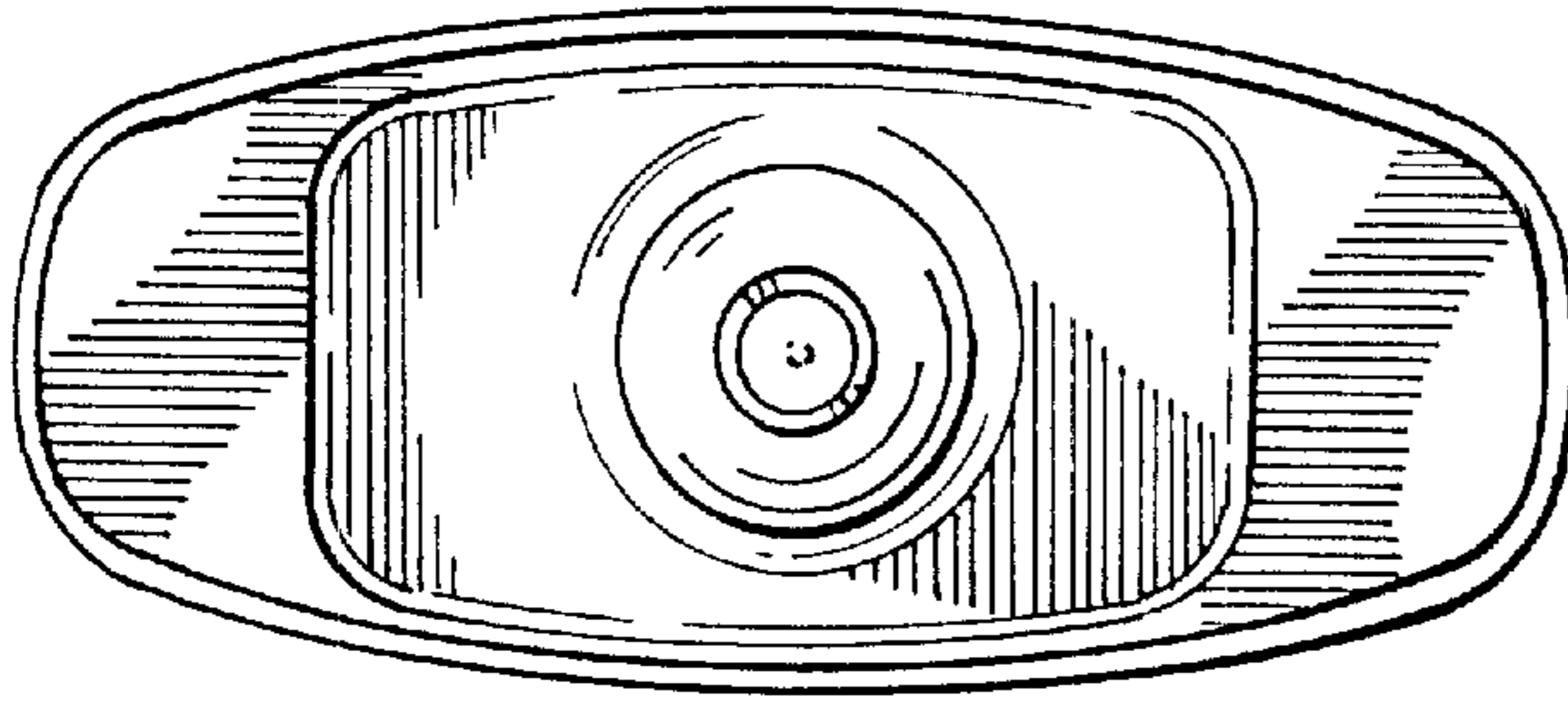


Fig. 3

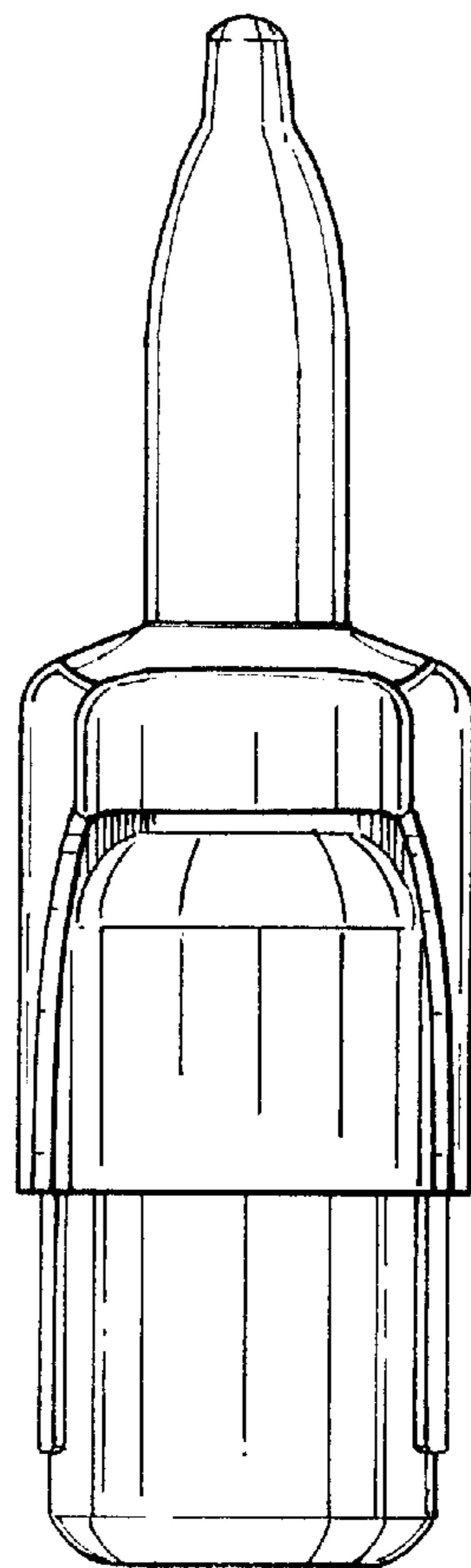


Fig. 4

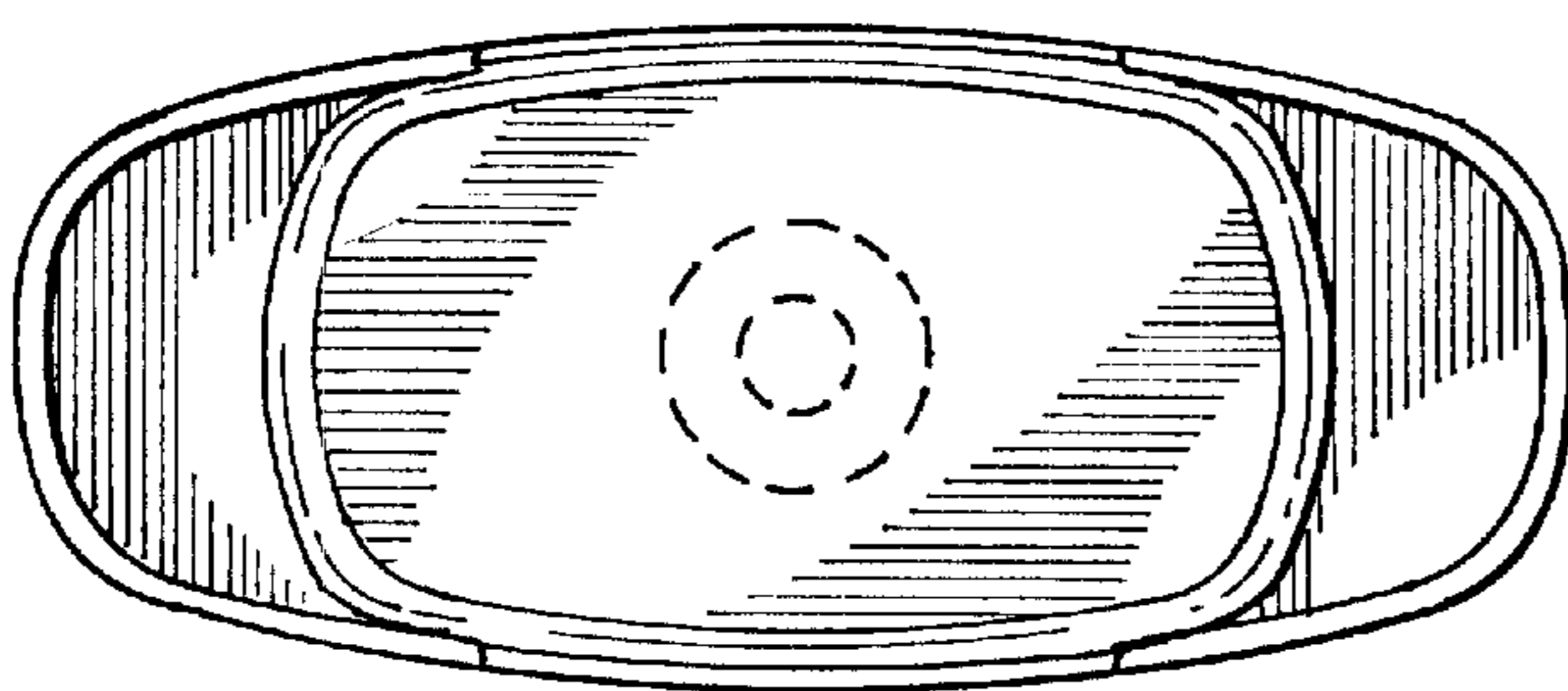


Fig. 5