



US00D471971S

(12) **United States Design Patent**
Hurlstone et al.

(10) **Patent No.:** **US D471,971 S**

(45) **Date of Patent:** **** Mar. 18, 2003**

(54) **VENTILATION COVER**

(75) Inventors: **Christopher John Hurlstone**, Newport (GB); **Mark Anthony Di Cioccio**, Bury St. Edmunds (GB); **Reuben Wu**, Saffron Walden (GB); **Sophie Rebecca Butler**, Swavesey (GB); **Robert Cheetham Halstead**, Enfield (GB); **Alan Peter Tye**, Tring (GB); **Kevin Alan Alex Tye**, Tring (GB)

(73) Assignee: **Flettner Ventilator Limited**, London (GB)

(**) Term: **14 Years**

(21) Appl. No.: **29/148,528**

(22) Filed: **Sep. 20, 2001**

(30) **Foreign Application Priority Data**

Mar. 20, 2001 (GB) 2100461
Mar. 23, 2001 (GB) 2100581

(51) **LOC (7) Cl.** **23-04**

(52) **U.S. Cl.** **D23/386**

(58) **Field of Search** D23/328, 386-395,
D23/382, 411-412, 499; 72/67, 80-84,
86; 52/473; 416/247 R; D25/53, 142, 152-156;
329/347, 365-369; 454/237, 250, 275-283,
309-320

(56) **References Cited**

U.S. PATENT DOCUMENTS

D201,322 S * 6/1965 Knapp D23/412
D270,276 S 8/1983 Stern et al.
D294,968 S * 3/1988 Shin-Chin D23/382
D295,070 S * 4/1988 Shin-Chin D23/382
D306,903 S * 3/1990 Shin-Chin D23/382
D309,944 S * 8/1990 Chiu D23/382
D354,127 S * 1/1995 Cuning D23/382

D359,116 S * 6/1995 Marvin et al. D23/382
D376,843 S * 12/1996 Wortham D23/382
D387,860 S * 12/1997 Chen D23/382
D391,346 S * 2/1998 Litvin D23/382
D397,192 S * 8/1998 Chiu et al. D23/328

FOREIGN PATENT DOCUMENTS

DE 175820 10/1906
DE 521795 3/1931
GB 295019 10/1929
GB 1 523 406 7/1977
GB 1 518 151 7/1978
GB 2 081 882 A 2/1982
GB 2100461 * 3/2001
GB 2100581 * 3/2001

OTHER PUBLICATIONS

Product literature for Flettner '2000.' Date unknown. Four (4) sheets.

(List continued on next page.)

Primary Examiner—Louis S. Zarfes
Assistant Examiner—Robert A. Delehanty
(74) *Attorney, Agent, or Firm*—Clayton, Howarth & Cannon, P.C.

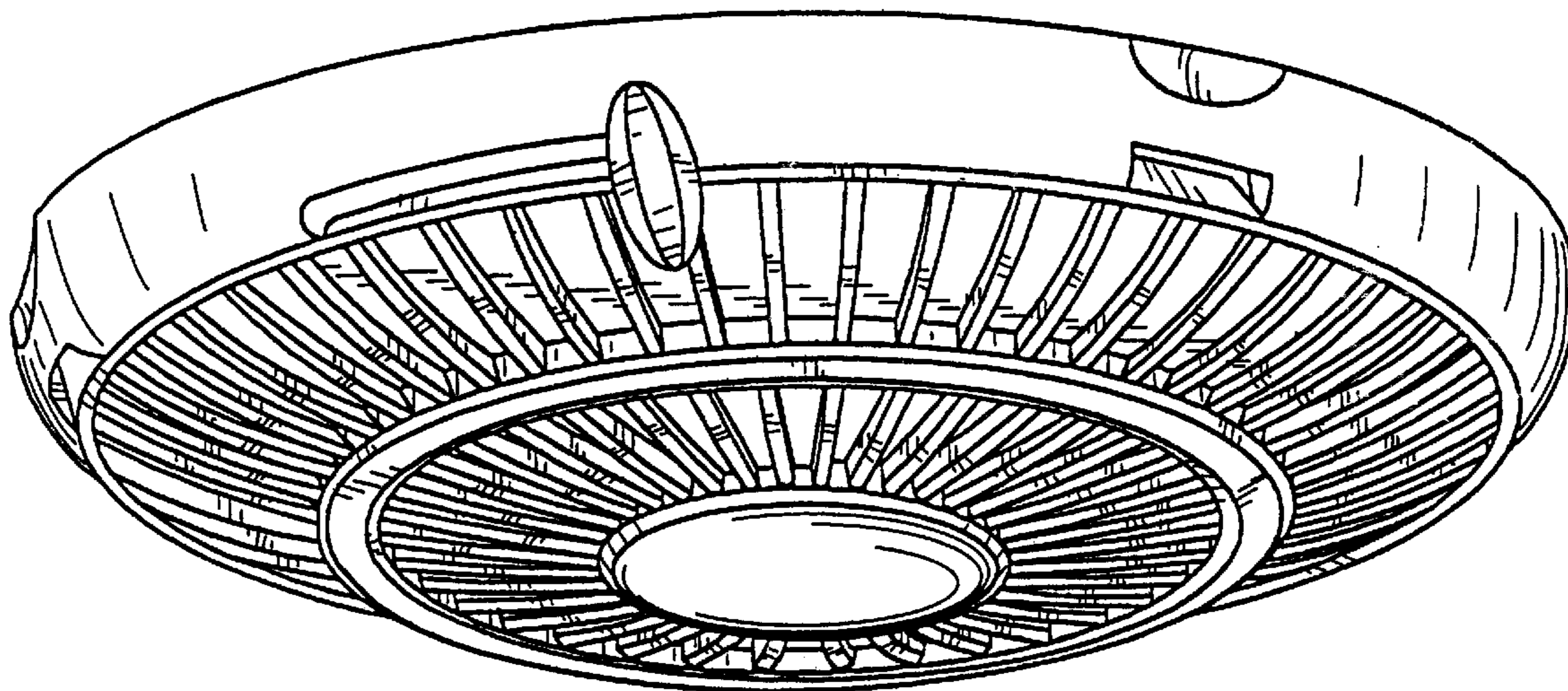
(57) **CLAIM**

We claim the ornamental design for a ventilation cover, as shown and described.

DESCRIPTION

FIG. 1 is a top perspective view thereof;
FIG. 2 is a bottom perspective view thereof;
FIG. 3 is a first side view thereof;
FIG. 4 is a second side view thereof;
FIG. 5 is a front side view thereof;
FIG. 6 is a rear side view thereof;
FIG. 7 is a top plan view thereof; and,
FIG. 8 is a bottom plan view thereof.

1 Claim, 8 Drawing Sheets



OTHER PUBLICATIONS

Product literature for Invertec Low Voltage Lighting. Date unknown. Two (2) sheets. www.gnc-systems.com/210e.htm.

Product literature for Ventilation by NIDRO. Date unknown. Two (2) sheets. www.nidro.com/enventilatie.htm.

Product literature for Weston Body Hardware Rotary Ventilator & Grille. Date unknown. One (1) sheet.

Product literature for SORTIMO ventilation systems. Date unknown. Two (2) sheets.

Product literature for Pacet's Superslim. May 1998; Jun. 1998; Jul. 1998; Sep. 1998; Oct. 1998; Nov. 1998, Apr. 1999. Thirty-one (31) sheets.

Photos of Flettner '2000' product. Date unknown. Five (5) photos on three (3) sheets.

Photos of 'UBS' product. Date unknown. Six (6) photos on three (3) sheets.

* cited by examiner

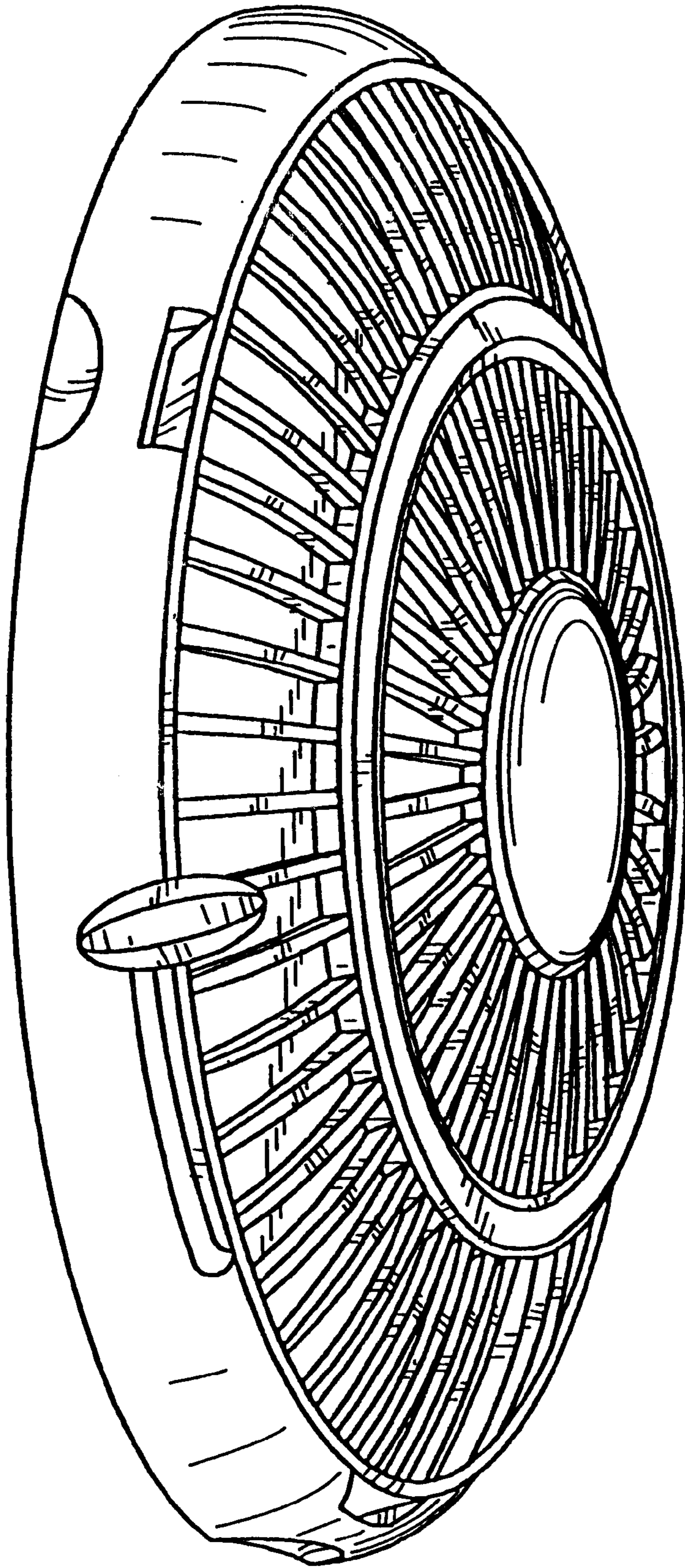


FIG. 1

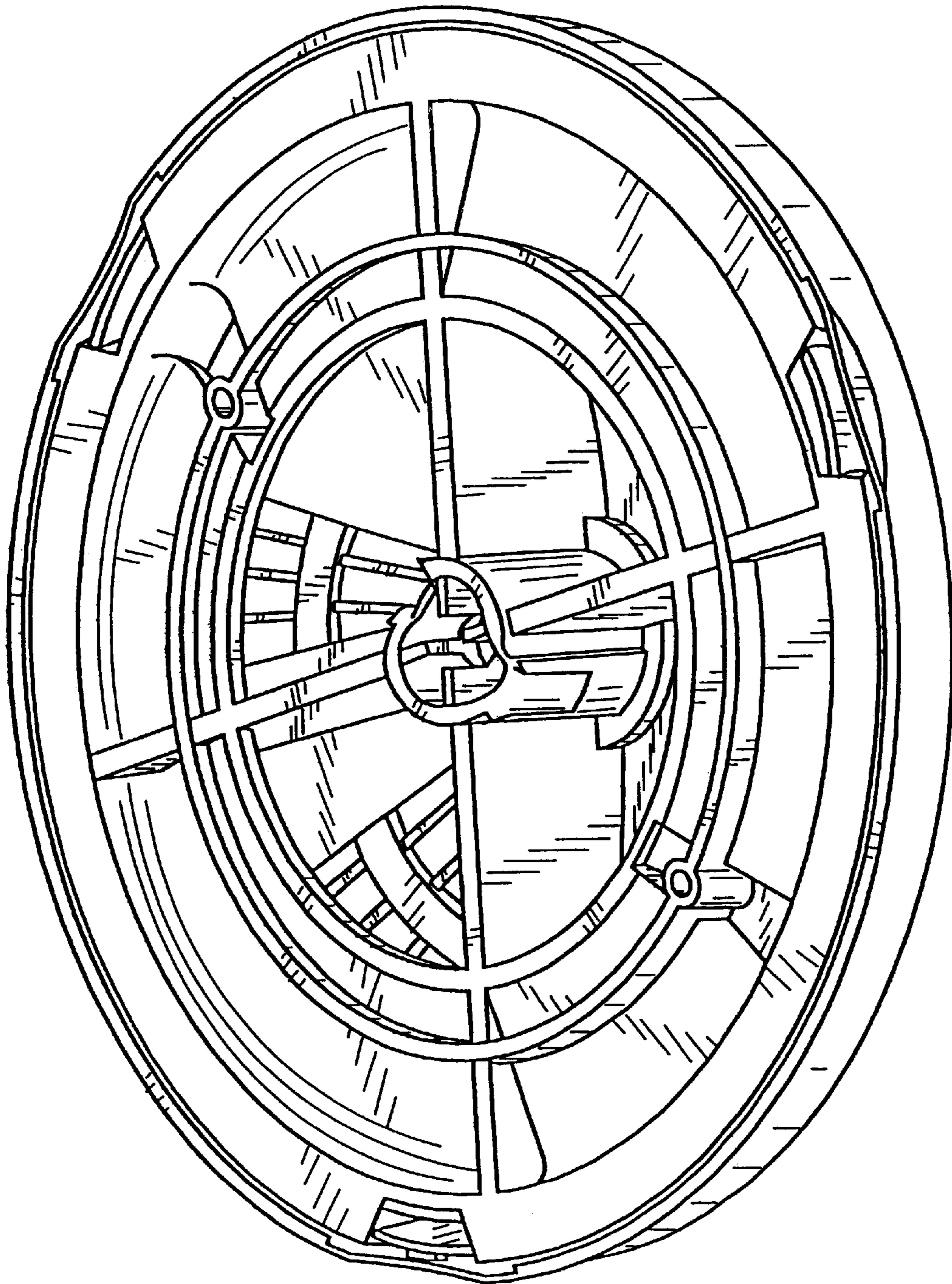


FIG. 2

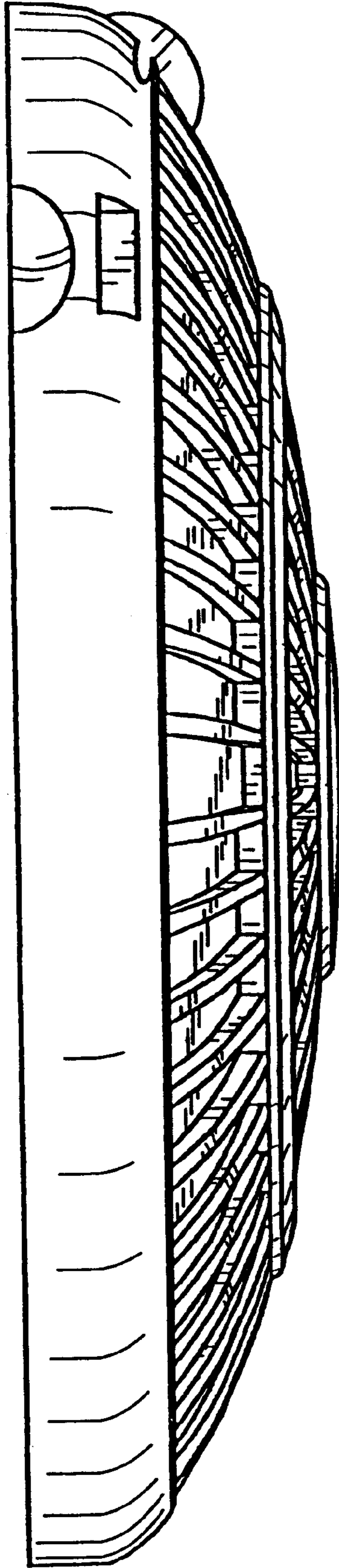


FIG. 3

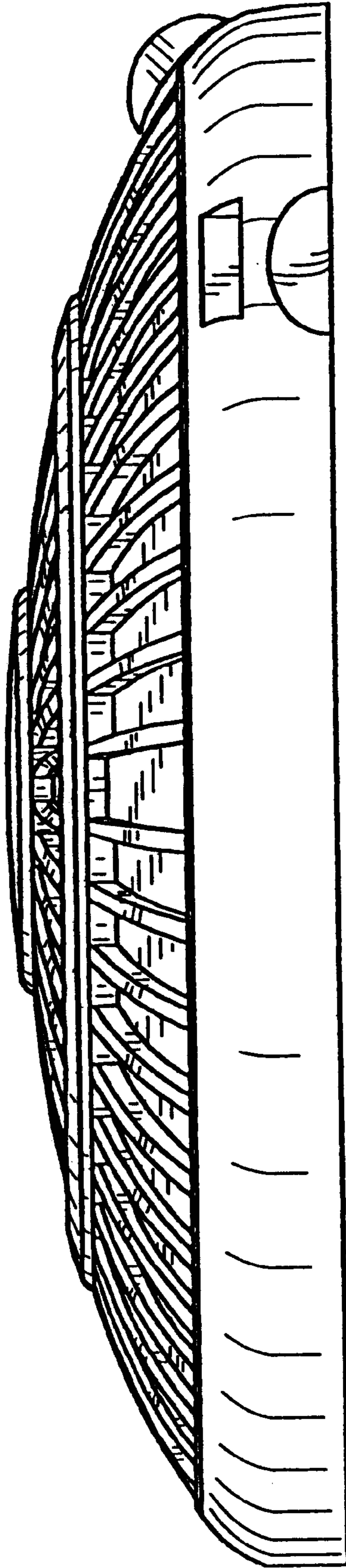


FIG. 4

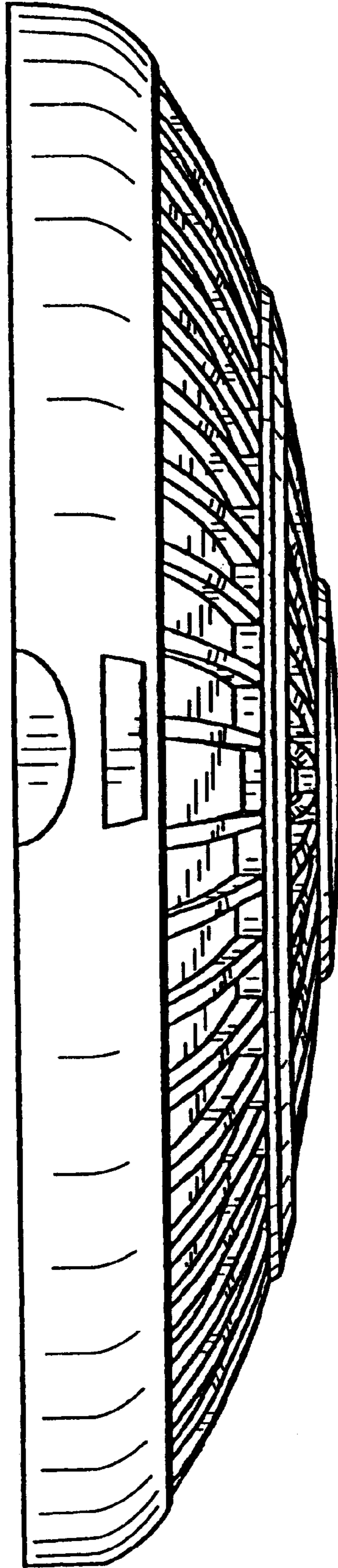


FIG. 5

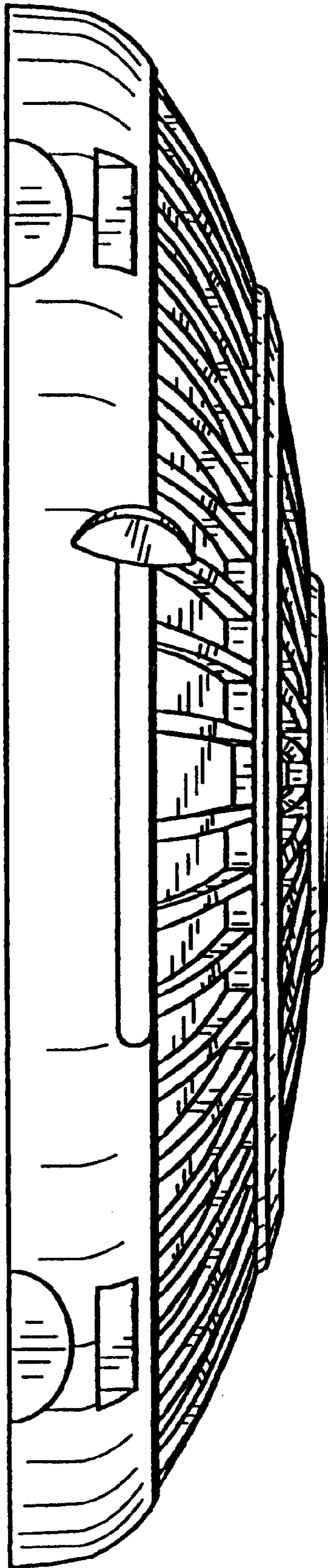


FIG. 6

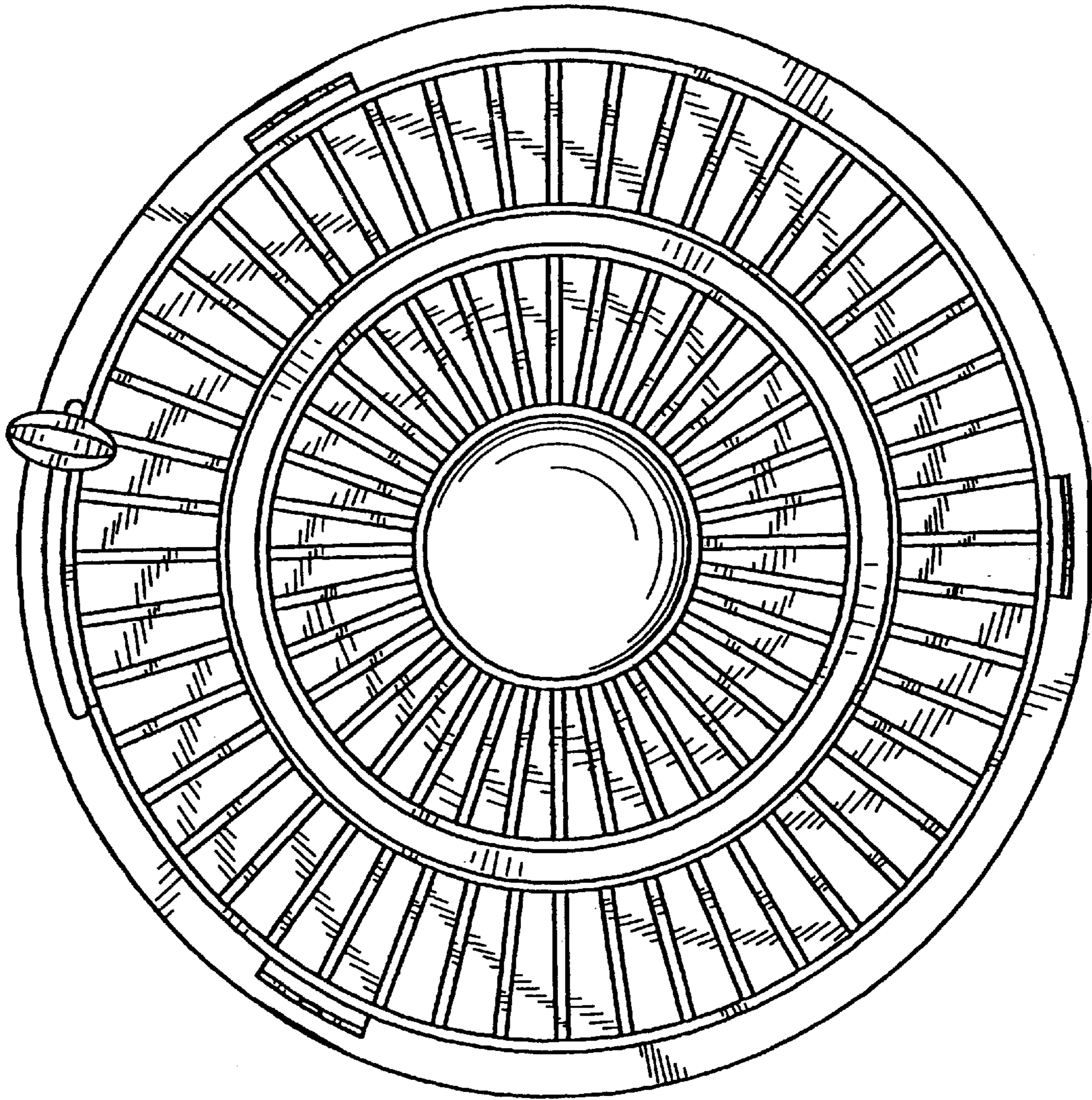


FIG. 7

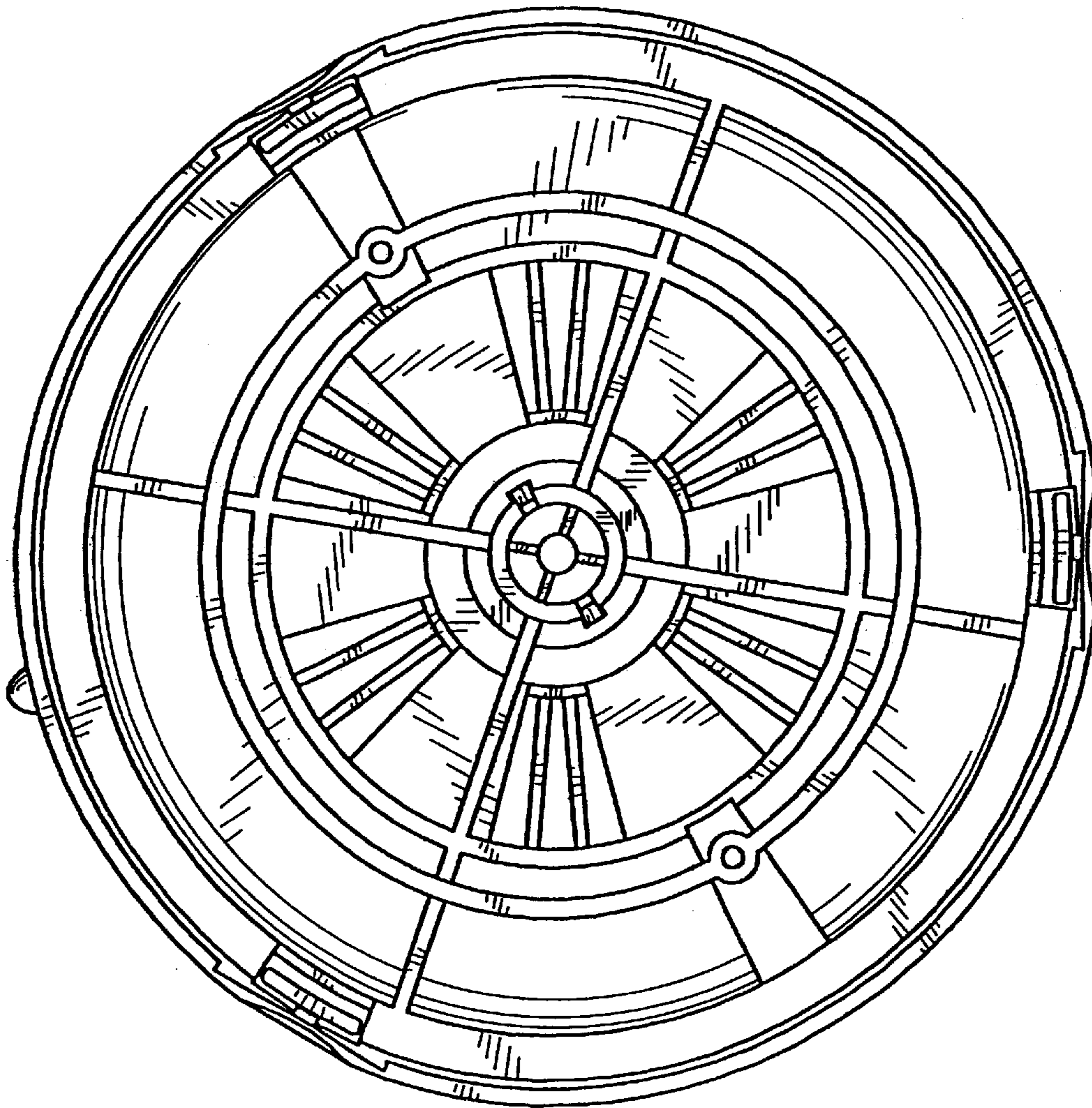


FIG. 8