



US00D471967S

(12) **United States Design Patent**  
**Bossler**

(10) **Patent No.:** **US D471,967 S**

(45) **Date of Patent:** **\*\* Mar. 18, 2003**

(54) **PATIO HEATER**

(75) Inventor: **Martin C. Bossler**, Spring Grove, IL (US)

(73) Assignee: **Uniflame Corporation**, Zion, IL (US)

(\*\*) Term: **14 Years**

(21) Appl. No.: **29/161,503**

(22) Filed: **May 31, 2002**

(51) **LOC (7) Cl.** ..... **23-03**

(52) **U.S. Cl.** ..... **D23/328; D23/339; D23/342**

(58) **Field of Search** ..... **D23/328, 335, D23/336, 337, 338, 339, 342; D26/51, 58; 362/92, 217, 253; D6/486-8, 399, 511; 431/331, 334; 126/90 R, 92 R, 92 B, 92 AC**

(56) **References Cited**

**U.S. PATENT DOCUMENTS**

D325,963 S	5/1992	Anderson	.....	D23/342
D429,324 S	8/2000	Olson et al.	.....	D23/342
6,192,878 B1	2/2001	Waters	.....	126/92
D445,889 S	7/2001	Resmo et al.	.....	D23/386
D446,290 S	8/2001	Jeng	.....	D23/328

D447,796 S 9/2001 Resmo et al. .... D23/386

D451,988 S \* 12/2001 Ashton et al. .... D23/328

D455,204 S 4/2002 Bossler ..... D23/342

D456,498 S \* 4/2002 Jeng ..... D23/328

6,397,835 B1 \* 6/2002 Liang ..... 126/92 B

\* cited by examiner

*Primary Examiner*—B. J. Bullock

(74) *Attorney, Agent, or Firm*—Greer, Burns & Crain, Ltd.

(57) **CLAIM**

The ornamental design for a patio heater, as shown and described.

**DESCRIPTION**

FIG. 1 is a front perspective view of the patio heater of the present invention;

FIG. 2 is a front view thereof;

FIG. 3 is a right side view thereof;

FIG. 4 is a rear view thereof;

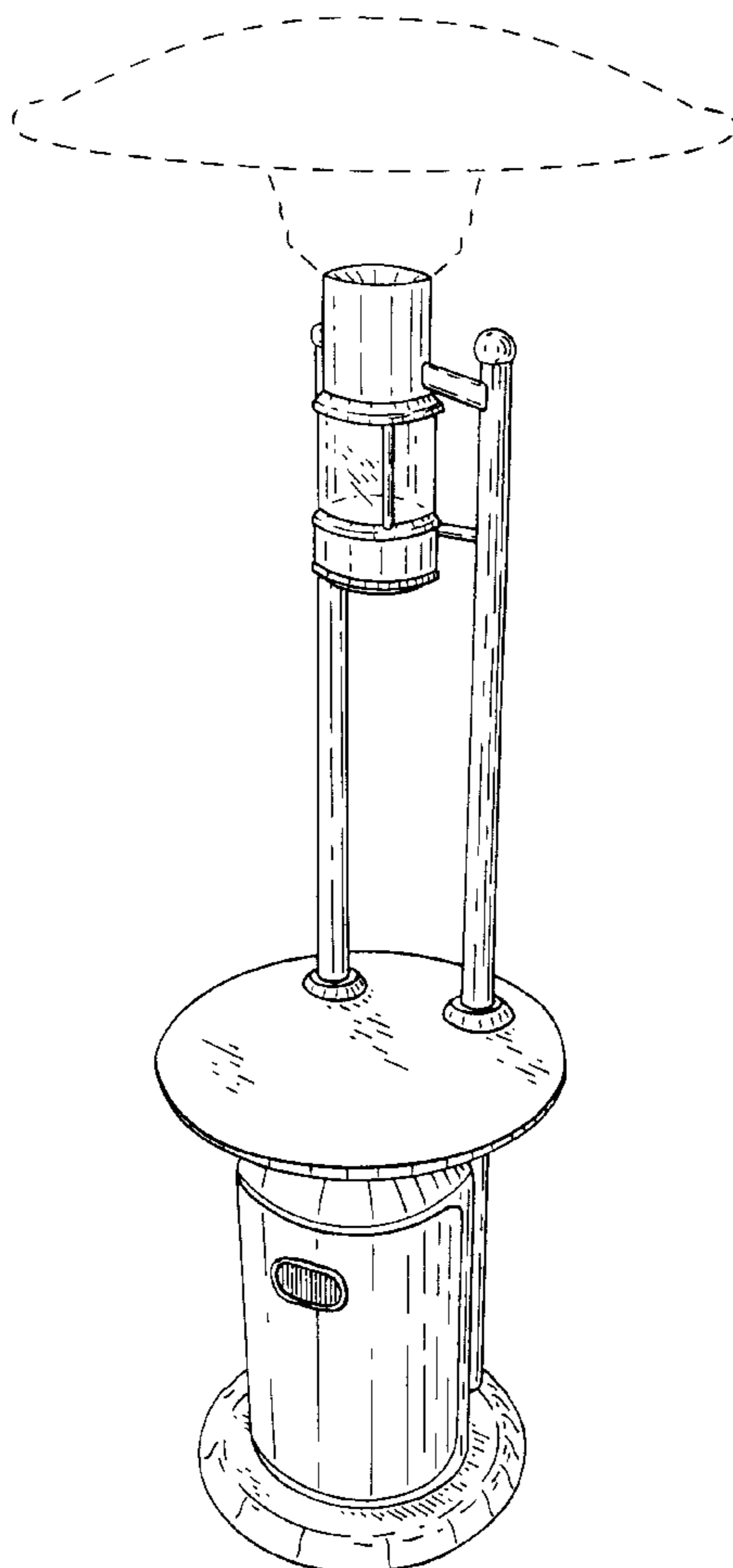
FIG. 5 is a left side view thereof;

FIG. 6 is a top view thereof; and,

FIG. 7 is a bottom view thereof.

The broken lines are for illustrative purposes only and form no part of the claimed design.

**1 Claim, 3 Drawing Sheets**



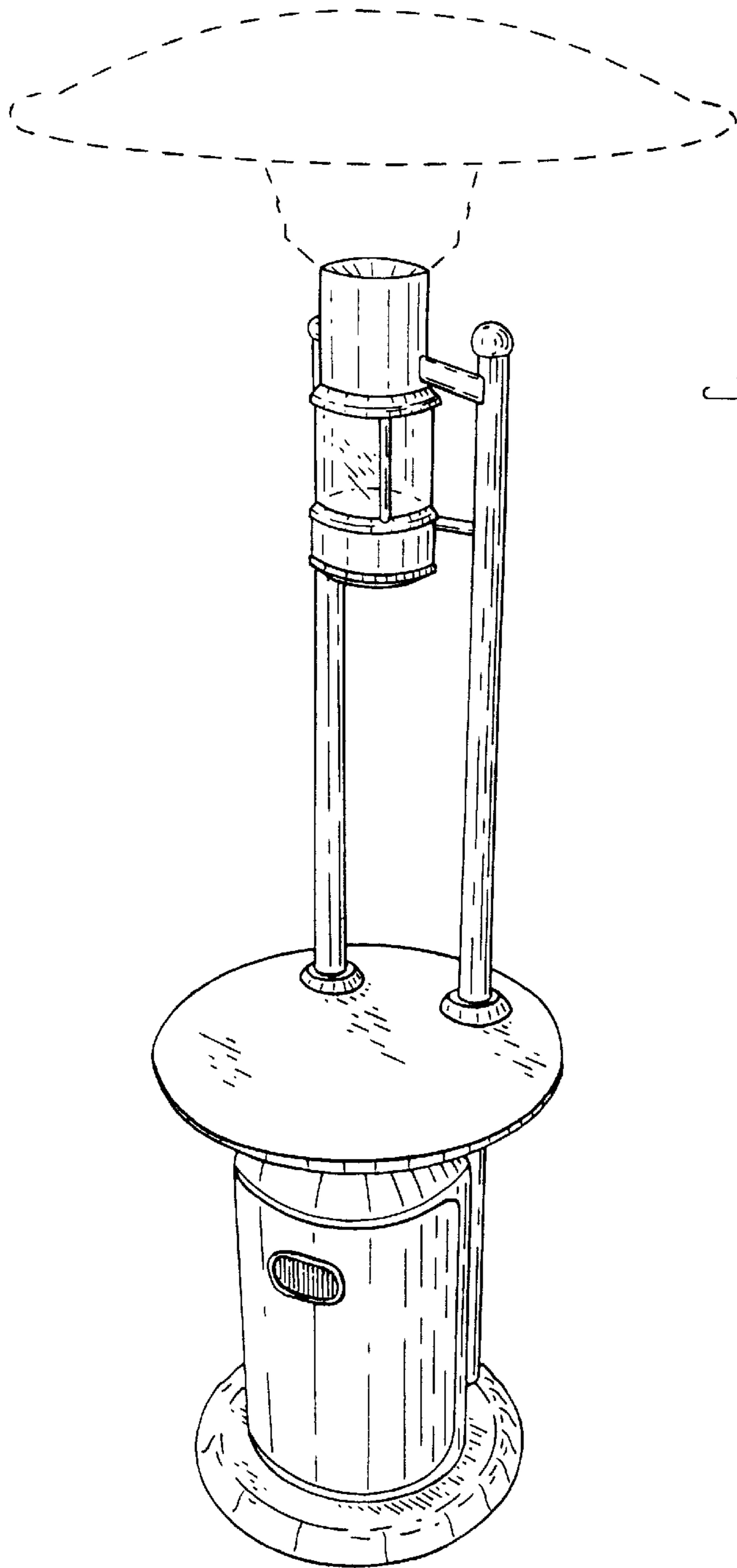


Fig.1

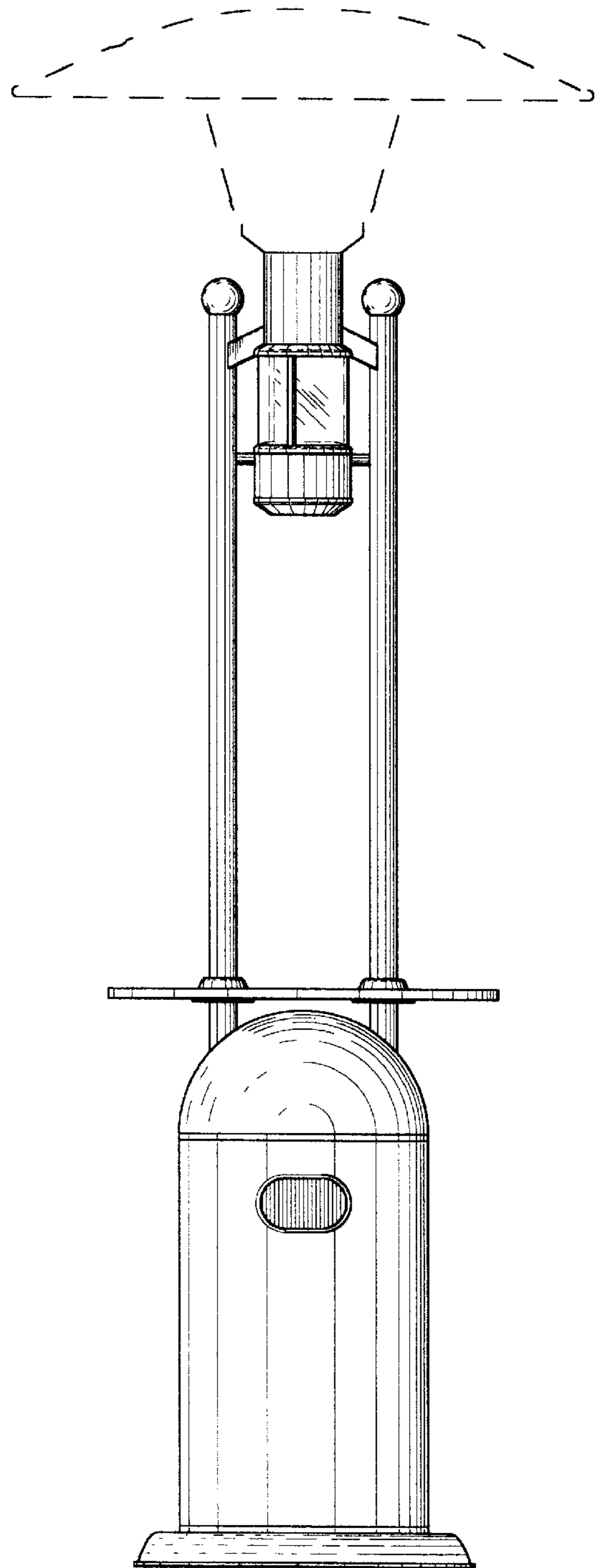


Fig.2

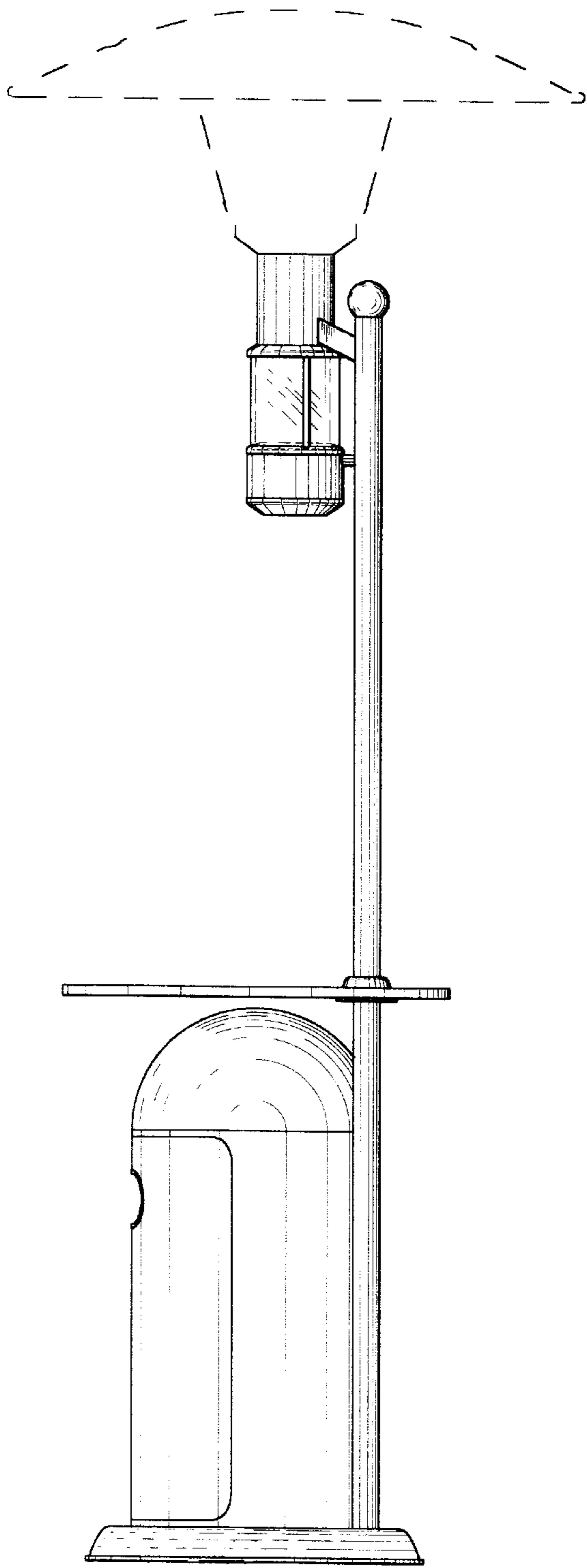


Fig.3

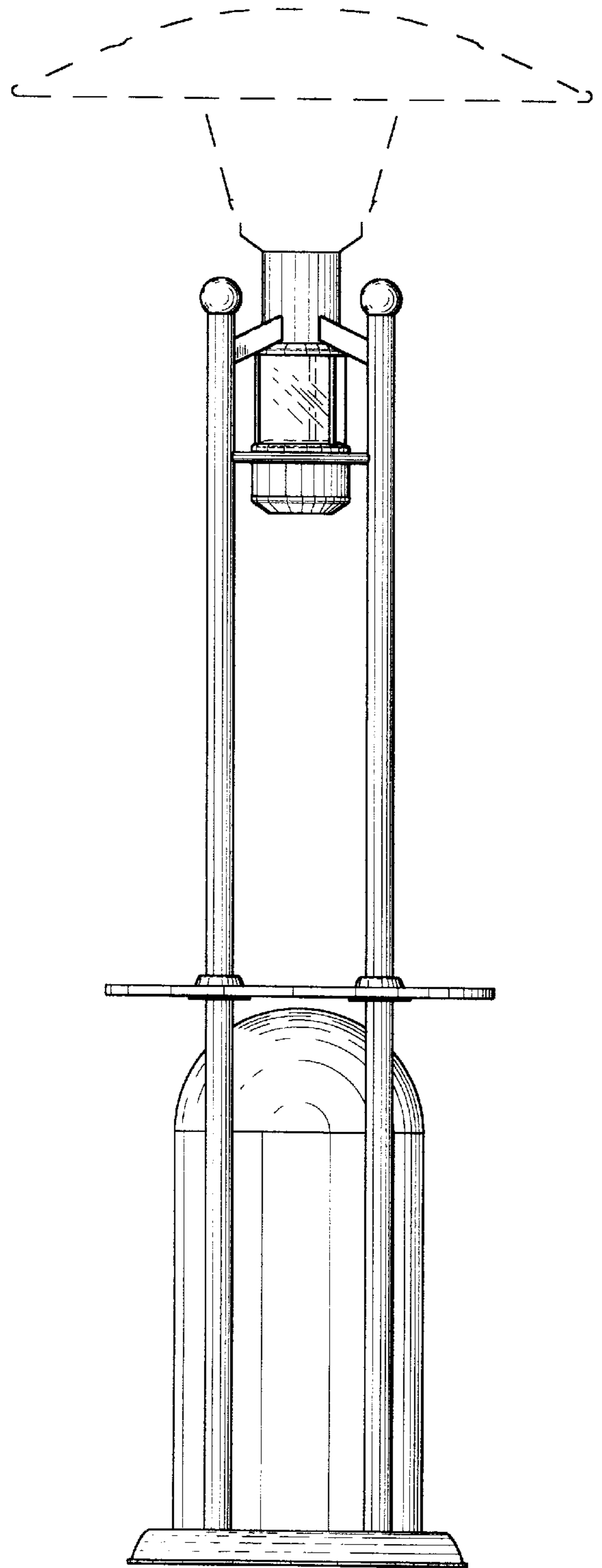


Fig.4

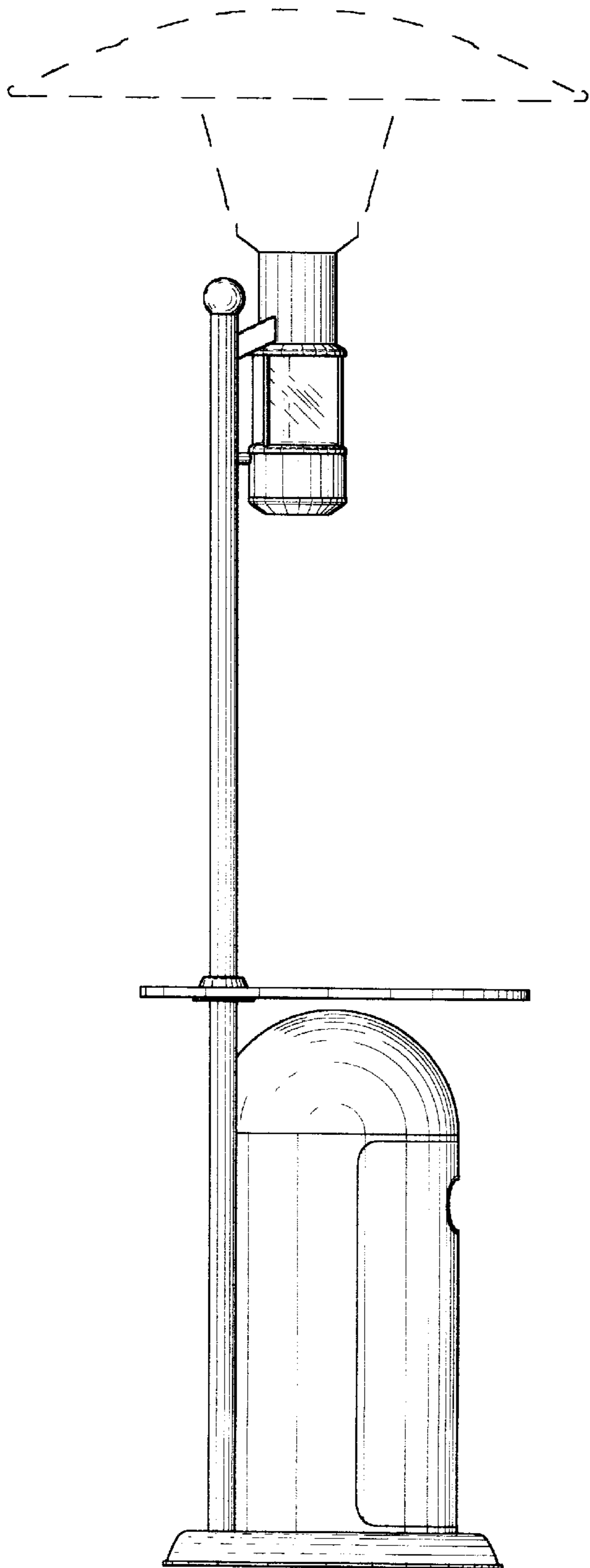


Fig. 5

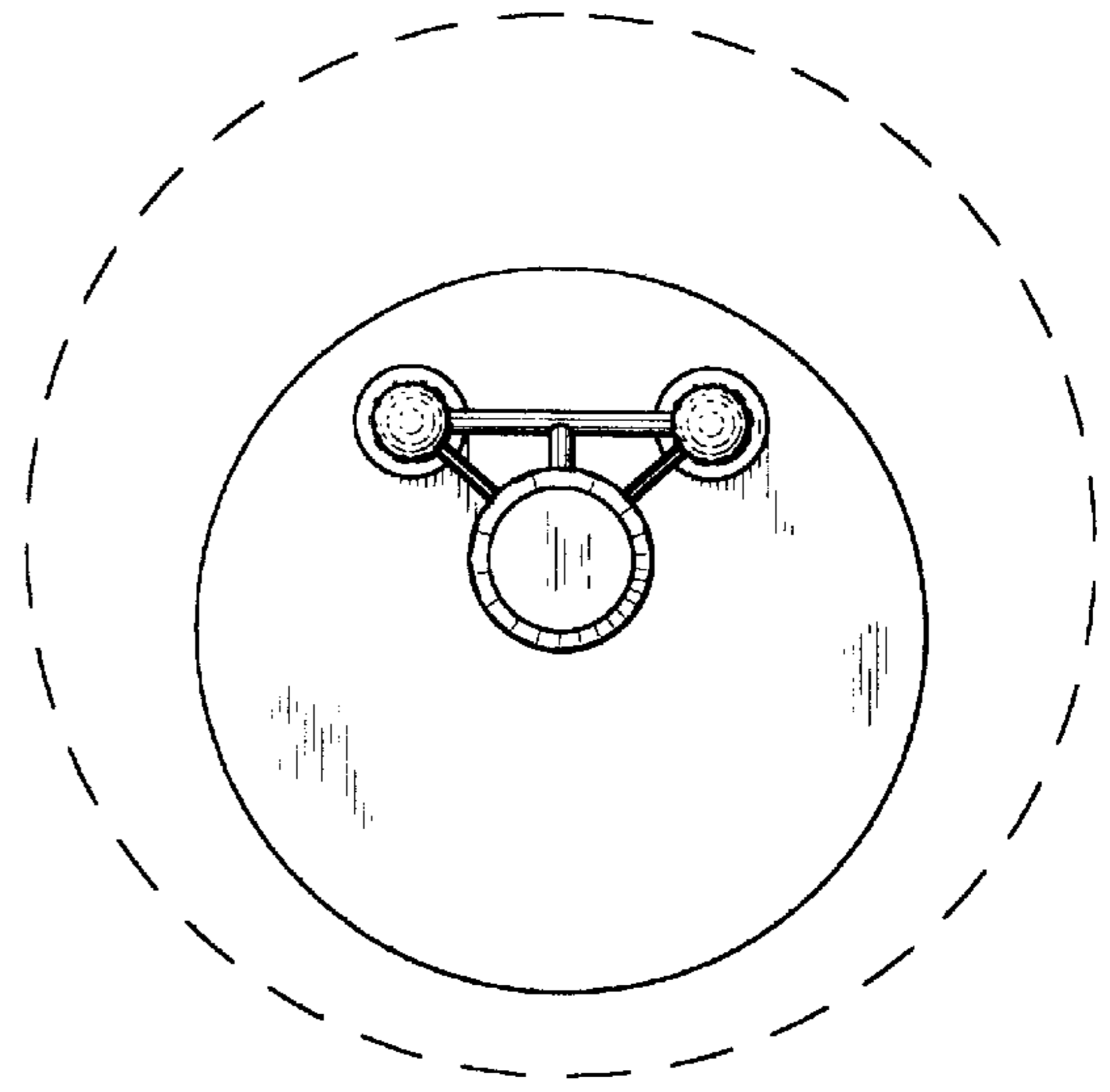


Fig. 6

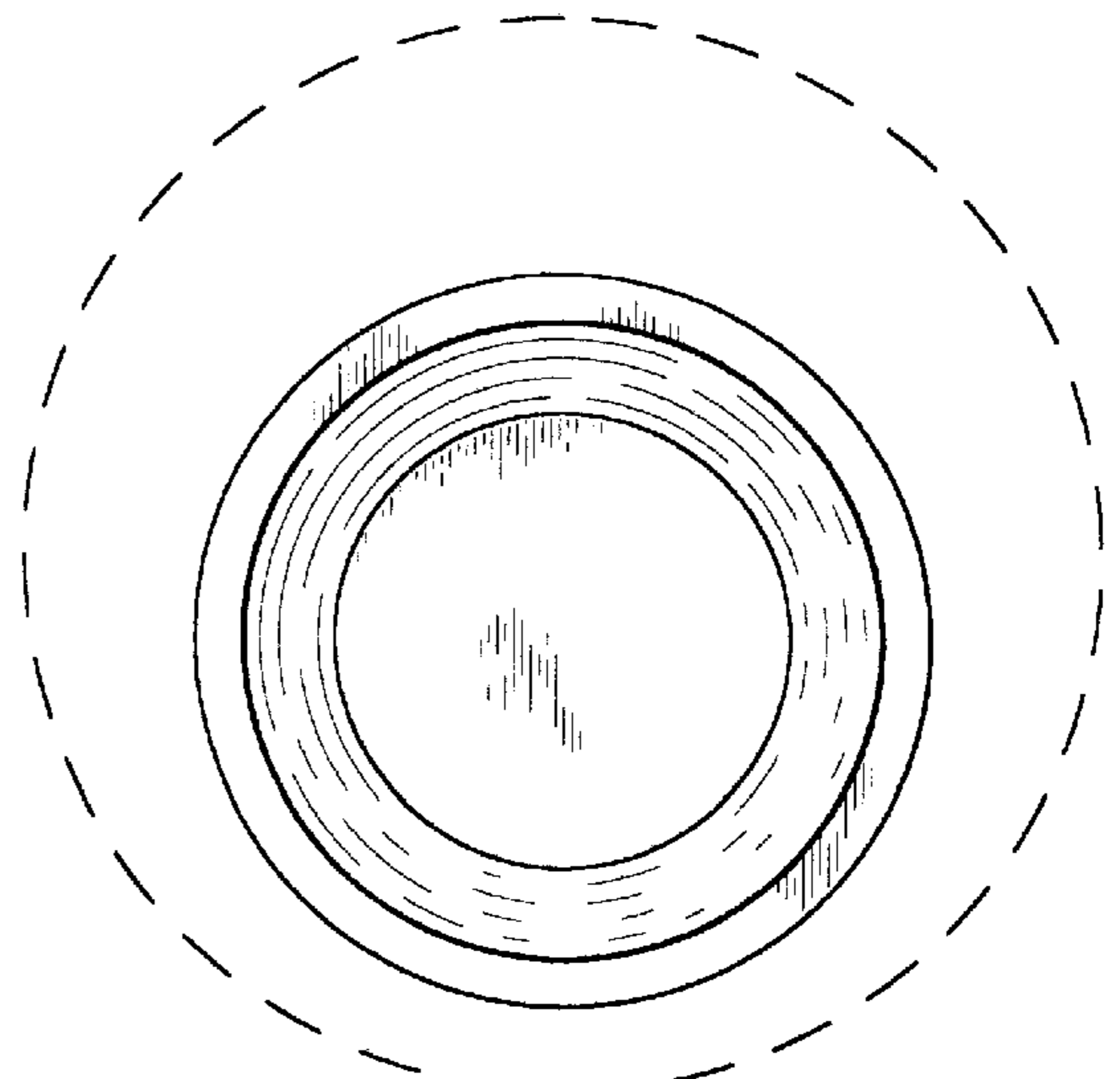


Fig. 7