



US00D471965S

(12) **United States Design Patent**
Lu et al.

(10) **Patent No.:** **US D471,965 S**
(45) **Date of Patent:** **** Mar. 18, 2003**

(54) **FOLDABLE CHAIR**

1,440,132 A * 12/1922 Chrisman 4/239 X
1,638,040 A * 8/1927 Killen 4/254 X
4,162,490 A * 7/1979 Fu et al. 4/449 X

(76) Inventors: **Chien-Chu Lu**, 6F, No. 9, Alley 1,
Lane 524, Sec. 5, Chunghsiao E. Rd.,
Taipei (TW); **Wan-Fu Chen**, No. 28,
Chungshan Rd., Ruey Fang Chen,
Taipei Hsien (TW)

* cited by examiner

Primary Examiner—Louis S. Zarfes
Assistant Examiner—Robert A. Delehanty
(74) *Attorney, Agent, or Firm*—William E. Pelton, Esq.

(**) Term: **14 Years**

(57) **CLAIM**

(21) Appl. No.: **29/165,882**

The ornamental design for a foldable chair, as shown and described.

(22) Filed: **Aug. 19, 2002**

(51) **LOC (7) Cl.** **23-02**

DESCRIPTION

(52) **U.S. Cl.** **D23/296**

FIG. 1 is a perspective view of a foldable chair, showing my new design;

(58) **Field of Search** D23/295–299,

D23/303, 309, 239, 254, 493; 4/300, 312,
329, 449, 459, 460, 902, 905, DIG. 11,
DIG. 12; D6/339, 368

FIG. 2 is a front elevational view thereof;

FIG. 3 is a rear elevational view thereof;

FIG. 4 is a left elevational view thereof;

FIG. 5 is a right elevational view thereof;

FIG. 6 is top plan view thereof;

FIG. 7 is a bottom plan view thereof; and,

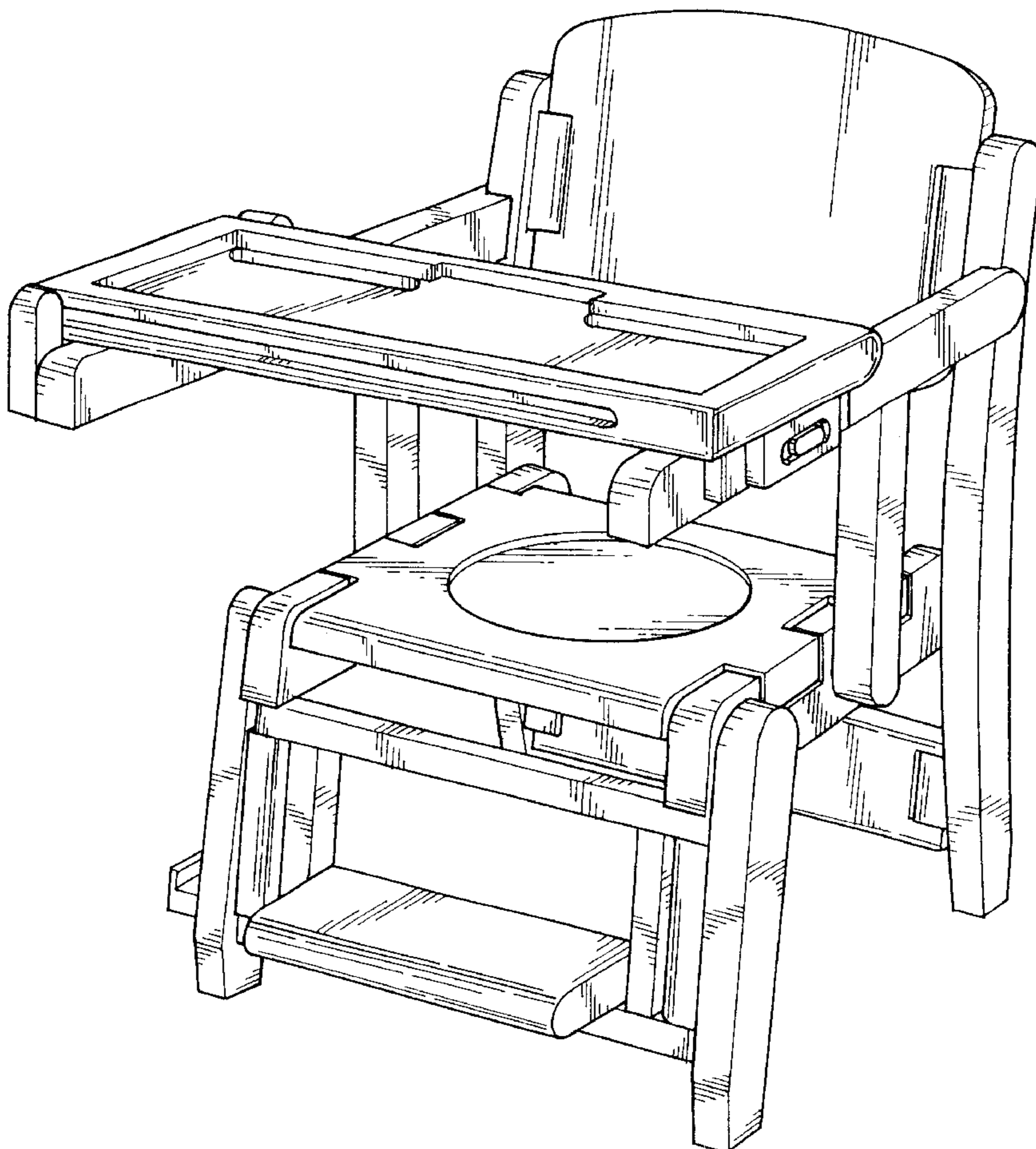
FIG. 8 is a perspective view showing that the foldable chair is folded.

(56) **References Cited**

U.S. PATENT DOCUMENTS

356,654 A * 1/1887 Martin 4/483 X
916,062 A * 3/1909 Tibbetts 4/254 X
1,163,263 A * 12/1915 Rudduck D23/296 X

1 Claim, 8 Drawing Sheets



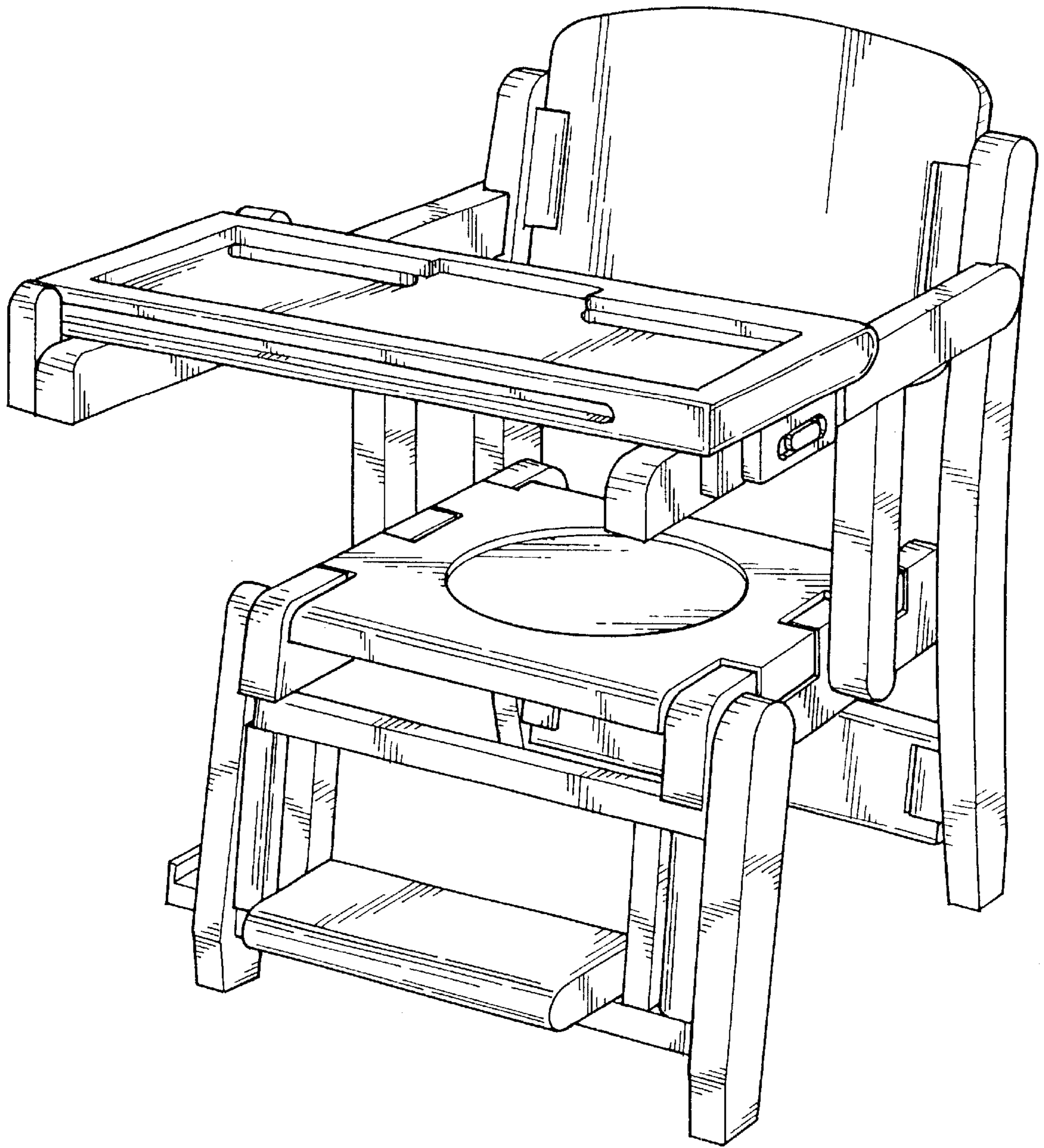


FIG. 1

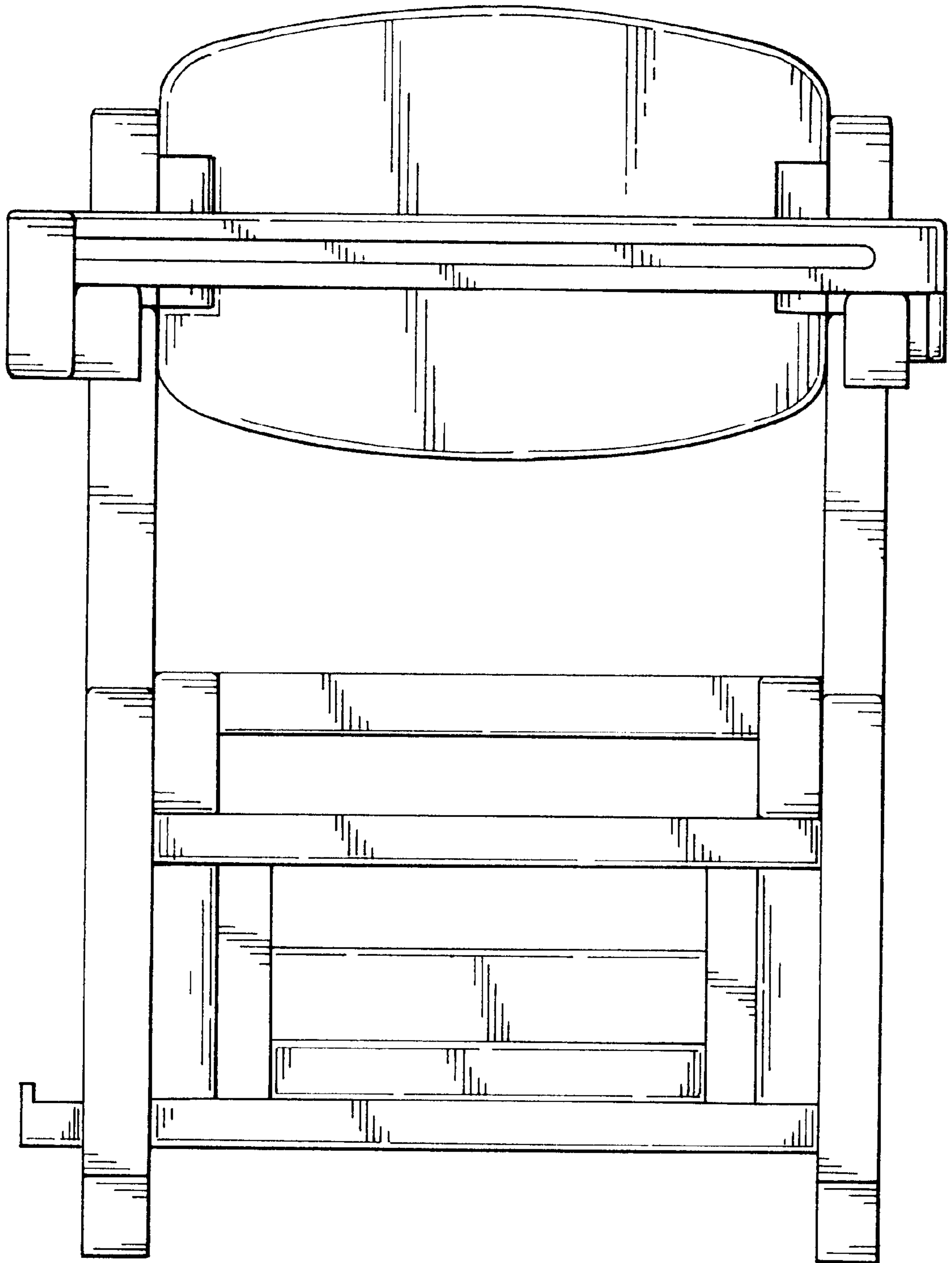


FIG. 2

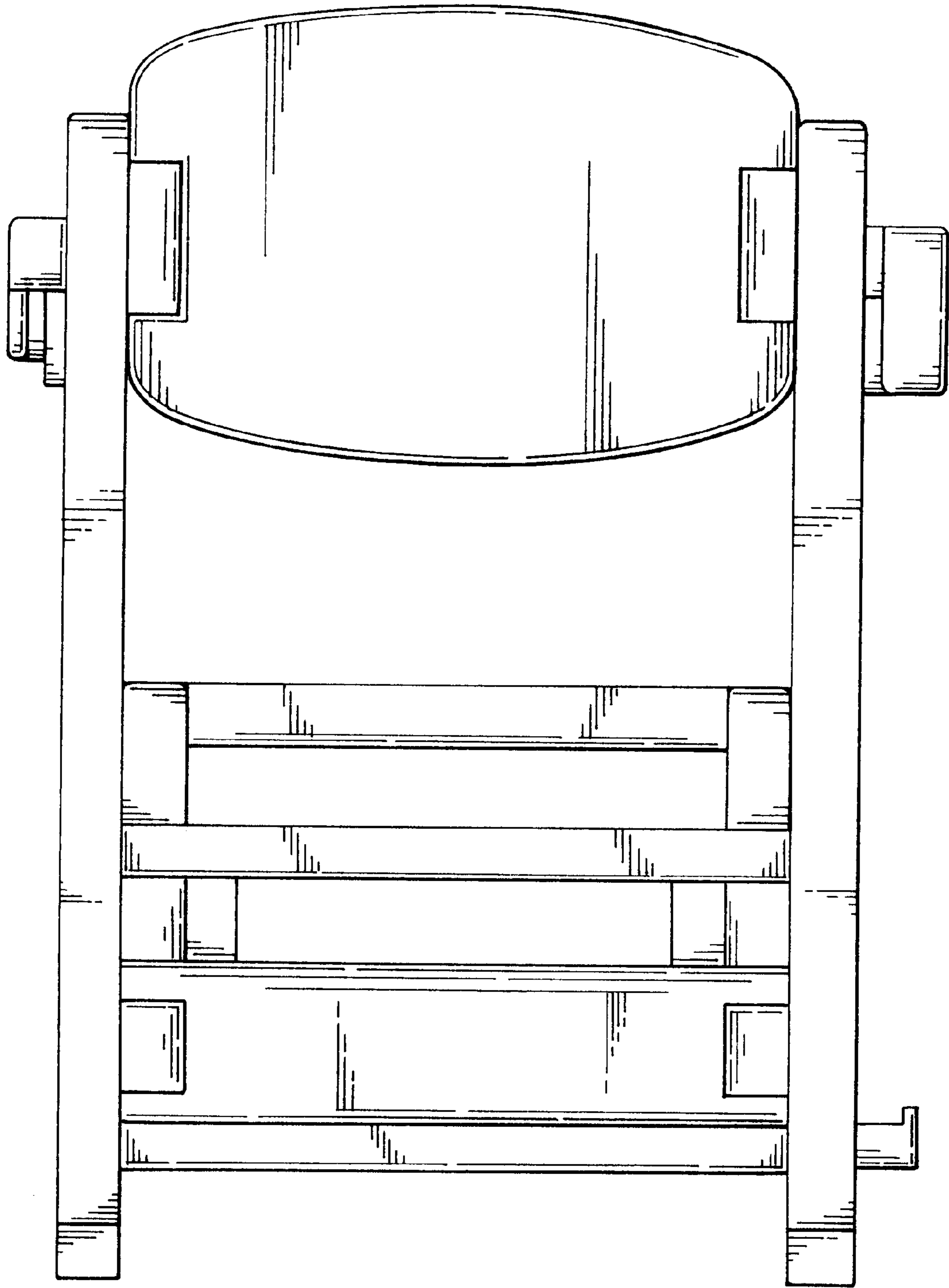


FIG. 3

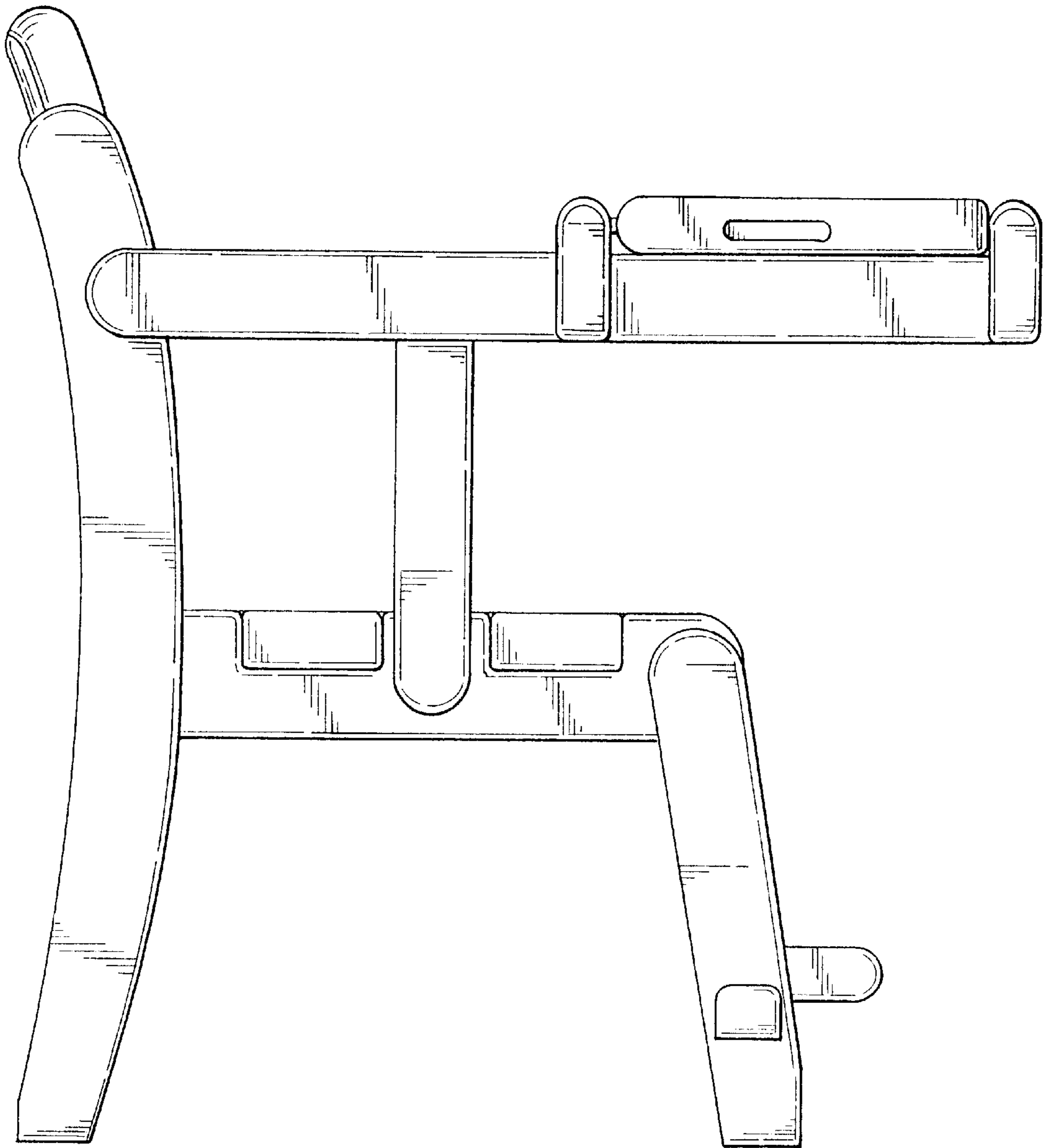


FIG. 4

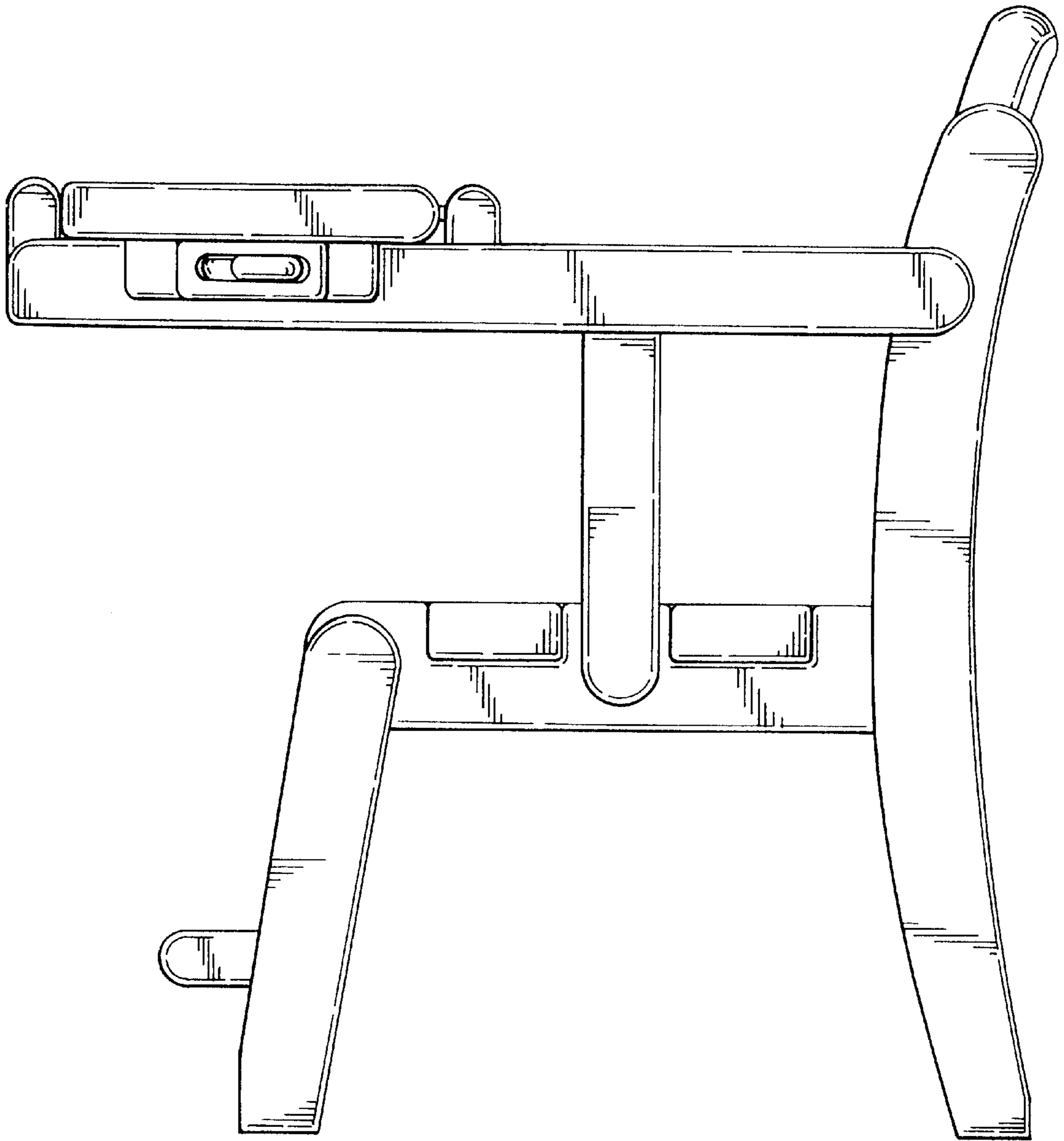


FIG. 5

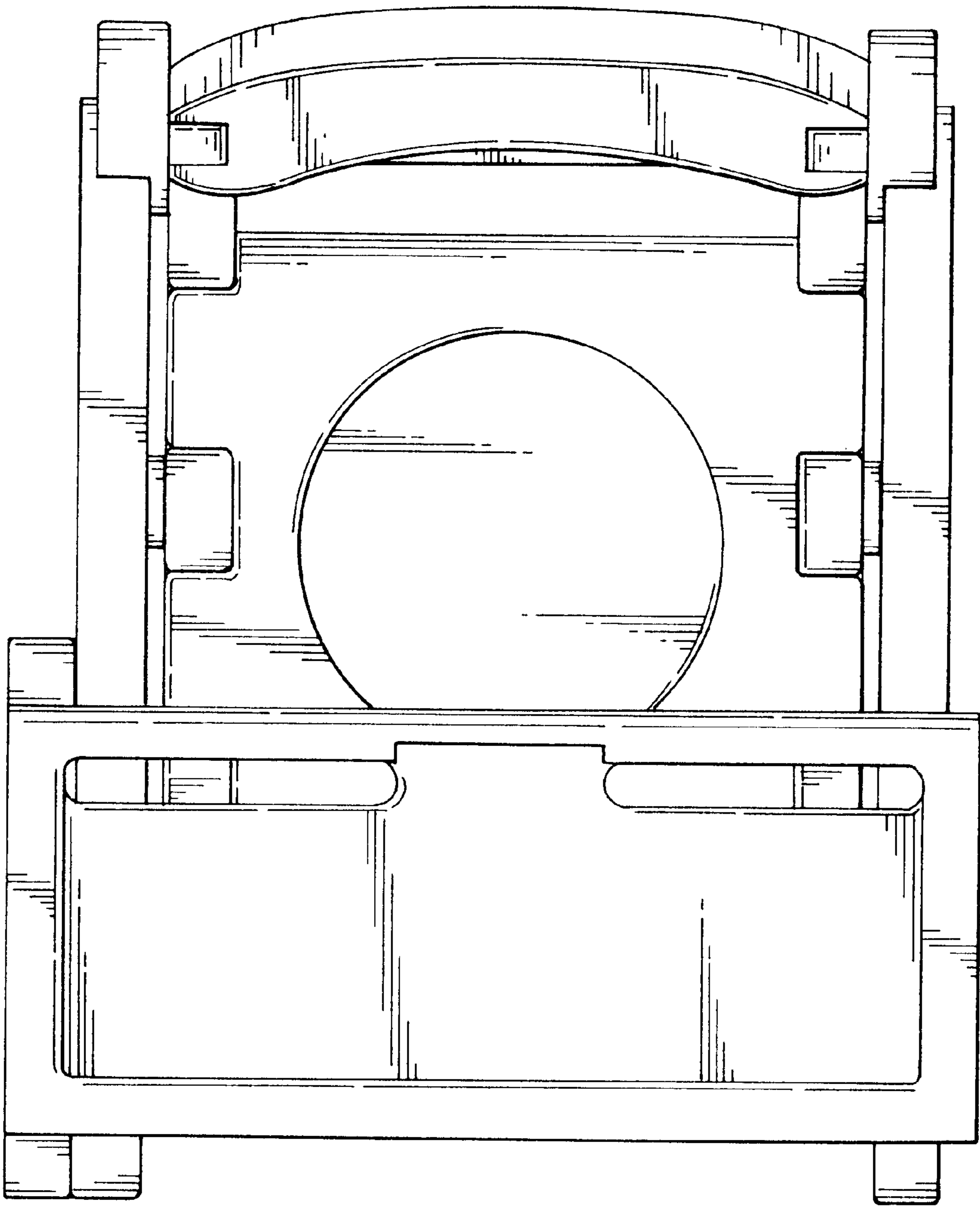


FIG. 6

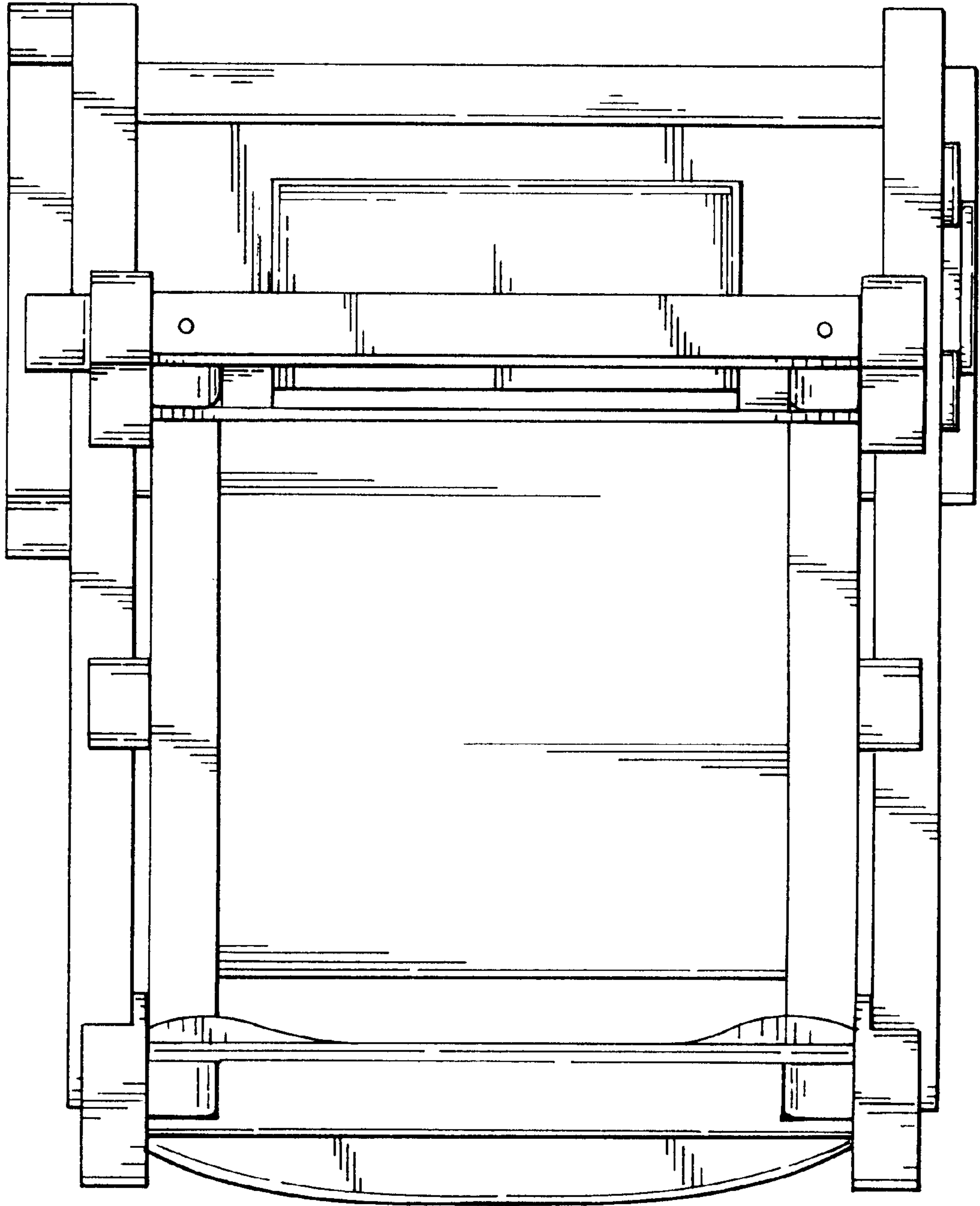


FIG. 7

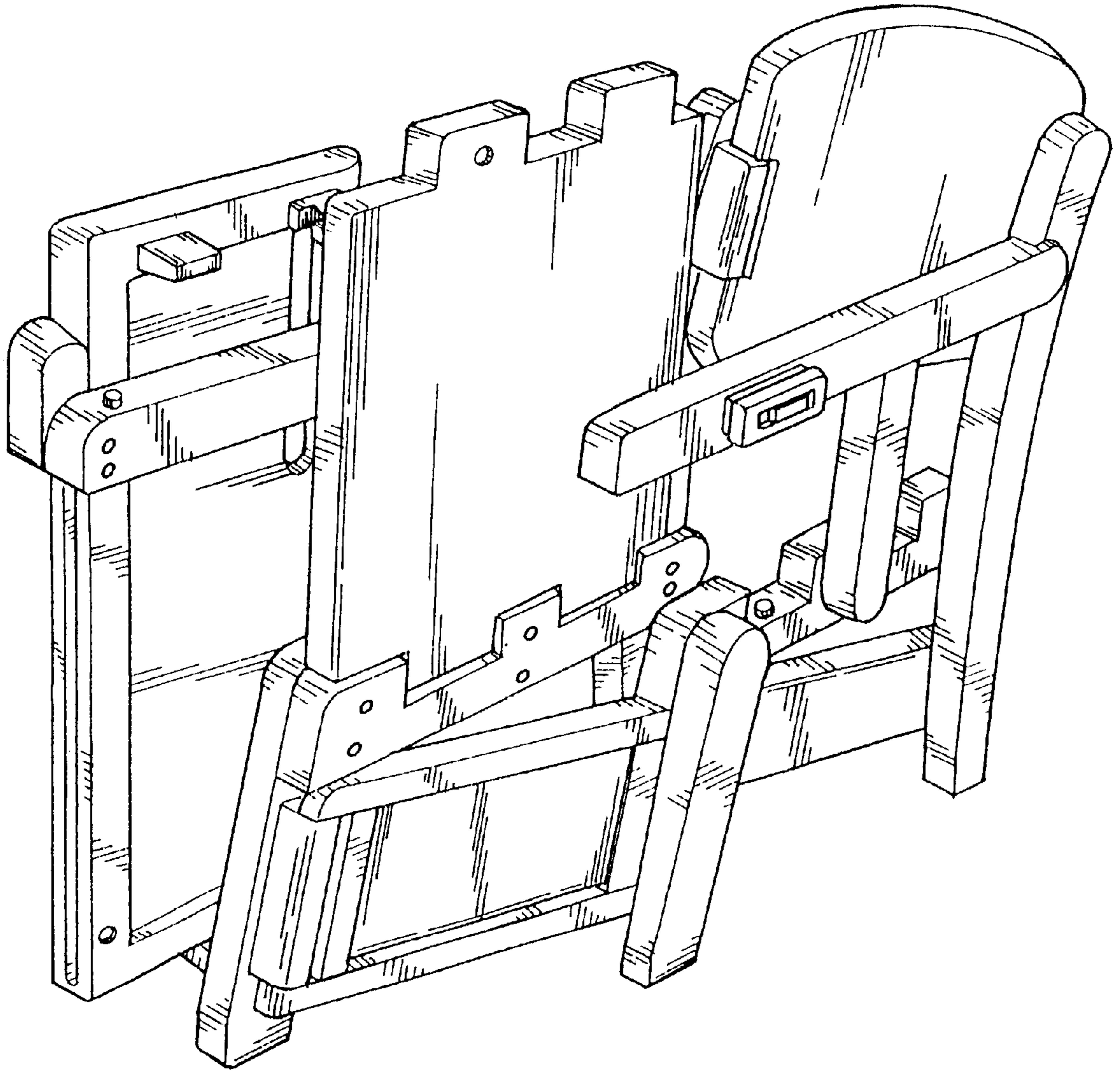


FIG. 8