



US00D471963S

(12) **United States Design Patent**
Chiu

(10) **Patent No.:** **US D471,963 S**

(45) **Date of Patent:** **** Mar. 18, 2003**

(54) **VALVE**

(75) **Inventor:** **Jin-Yue Chiu, Tainan (TW)**

(73) **Assignee:** **R & T Co., Ltd., Tainan (TW)**

(**) **Term:** **14 Years**

(21) **Appl. No.:** **29/158,224**

(22) **Filed:** **Apr. 2, 2002**

(51) **LOC (7) Cl.** **23-01**

(52) **U.S. Cl.** **D23/245**

(58) **Field of Search** D23/233, 244,
D23/245, 248, 247; 251/309, 314, 286-288;
137/385

(56) **References Cited**

U.S. PATENT DOCUMENTS

2,599,274	A	*	6/1952	Murnin, Jr.	251/309
D172,662	S	*	7/1954	Clade	D23/248
2,712,484	A	*	7/1955	Love	251/309 X
2,738,158	A	*	3/1956	Fuglie	251/309
D183,042	S	*	6/1958	Fuglie	D23/245
3,124,335	A	*	3/1964	Mason	251/309 X
D208,139	S	*	7/1967	Adams	D23/245
3,419,248	A	*	12/1968	Berger	251/309
D285,478	S	*	9/1986	Hengesbach	D23/245
D291,230	S	*	8/1987	Kunz	D23/245
D297,254	S	*	8/1988	Odate et al.	D23/248

D366,693	S	*	1/1996	Gregor	D23/245
D372,073	S	*	7/1996	Ozaki et al.	D23/245
D400,970	S	*	11/1998	Voo	D23/245
6,260,821	B1	*	7/2001	Perry et al.	251/314
D455,474	S	*	4/2002	Knobel et al.	D23/245

* cited by examiner

Primary Examiner—Nelson C. Holtje

(74) *Attorney, Agent, or Firm*—Rosenberg, Klein & Lee

(57) **CLAIM**

The ornamental design for a valve, as shown and described.

DESCRIPTION

FIG. 1 is a perspective view of a valve showing my new design;

FIG. 2 is a front elevational view thereof;

FIG. 3 is a rear elevational view thereof;

FIG. 4 is a left side elevational view thereof;

FIG. 5 is a right side elevational view thereof;

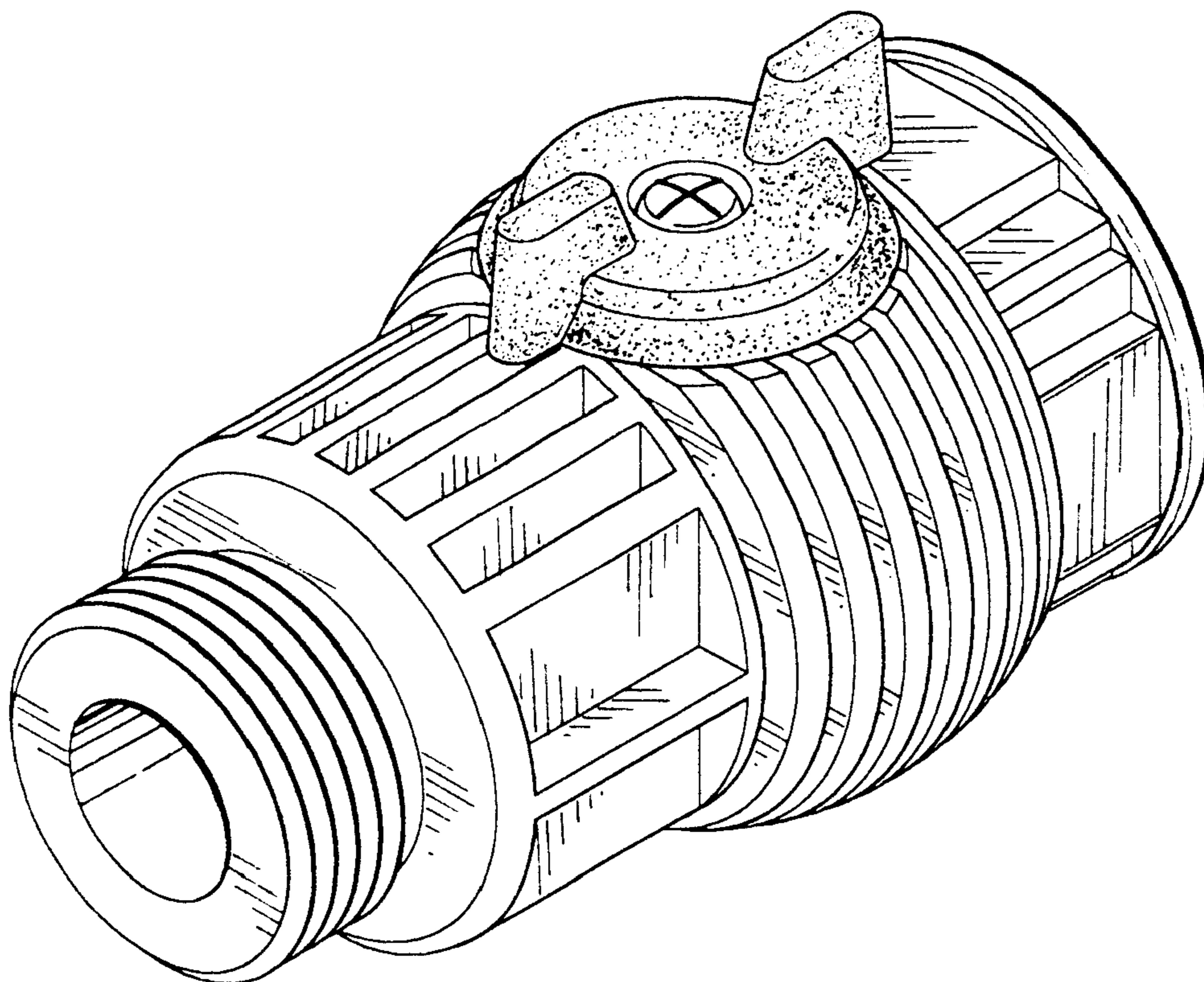
FIG. 6 is a top plan view thereof;

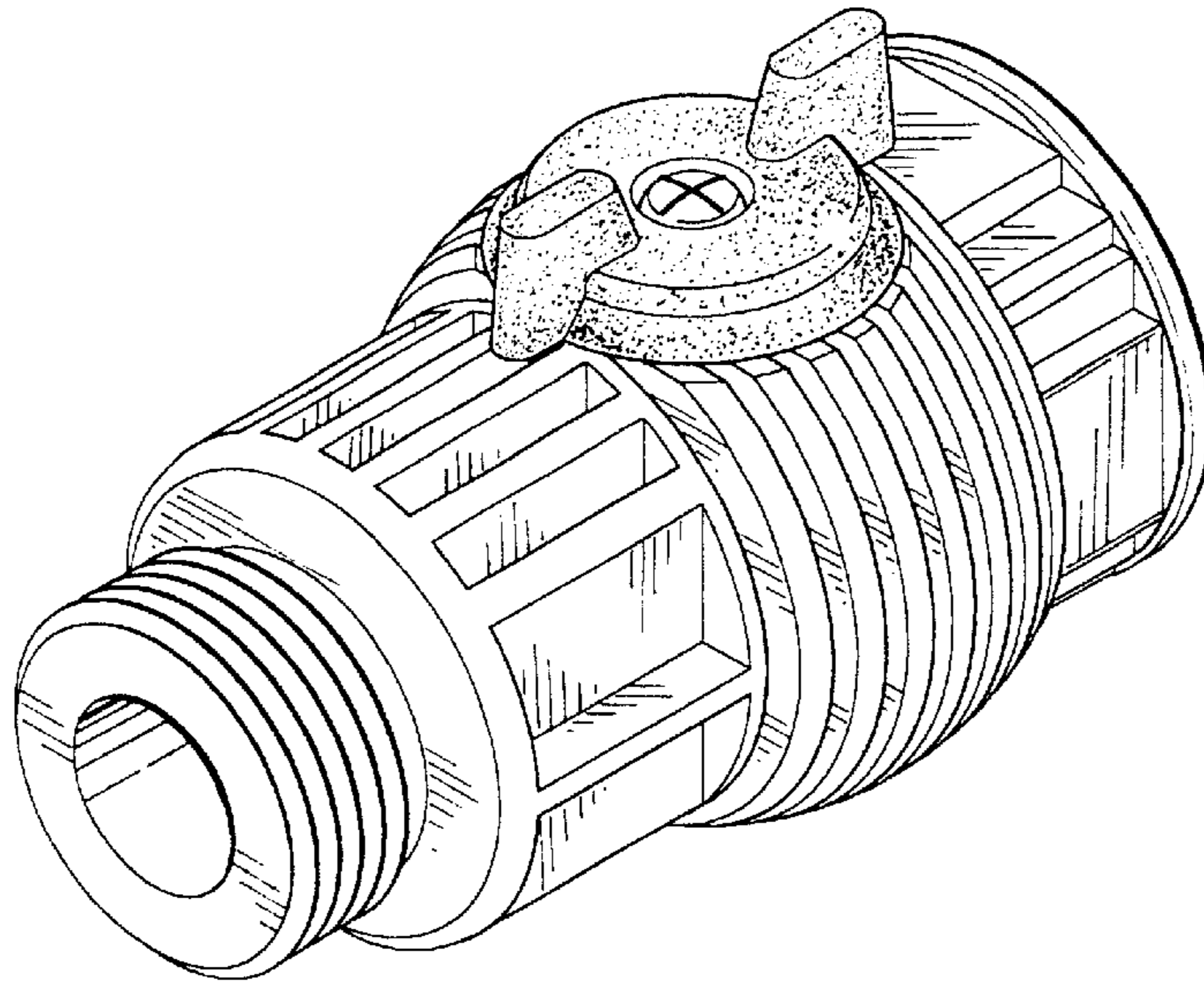
FIG. 7 is a bottom plan view thereof; and,

FIG. 8 is another perspective view of the valve, the broken-line showings being environmental only an forming no part of the claimed design.

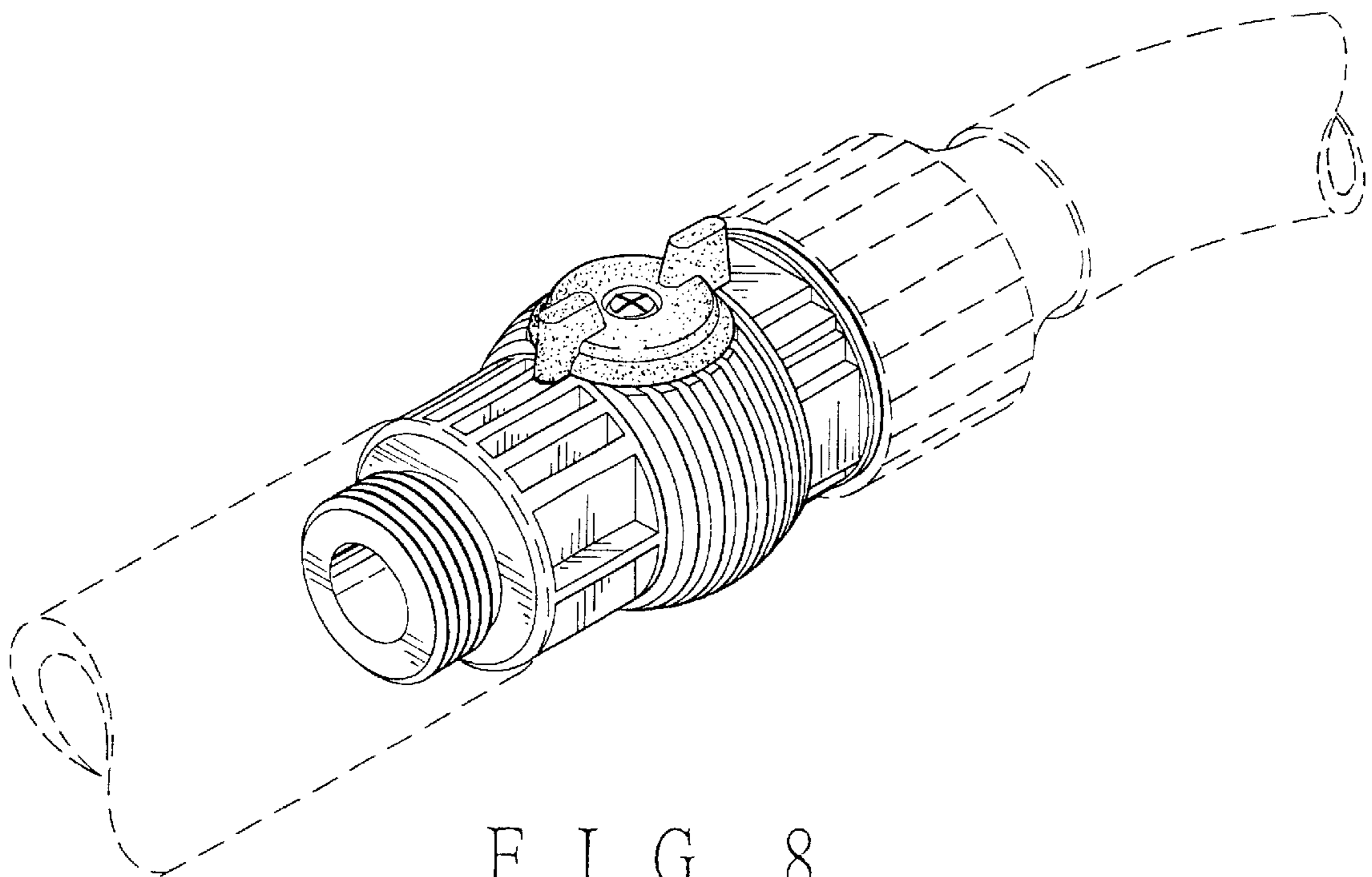
The broken line showing of hose ends is for illustrative purposes only and forms no part of the claimed design.

1 Claim, 3 Drawing Sheets

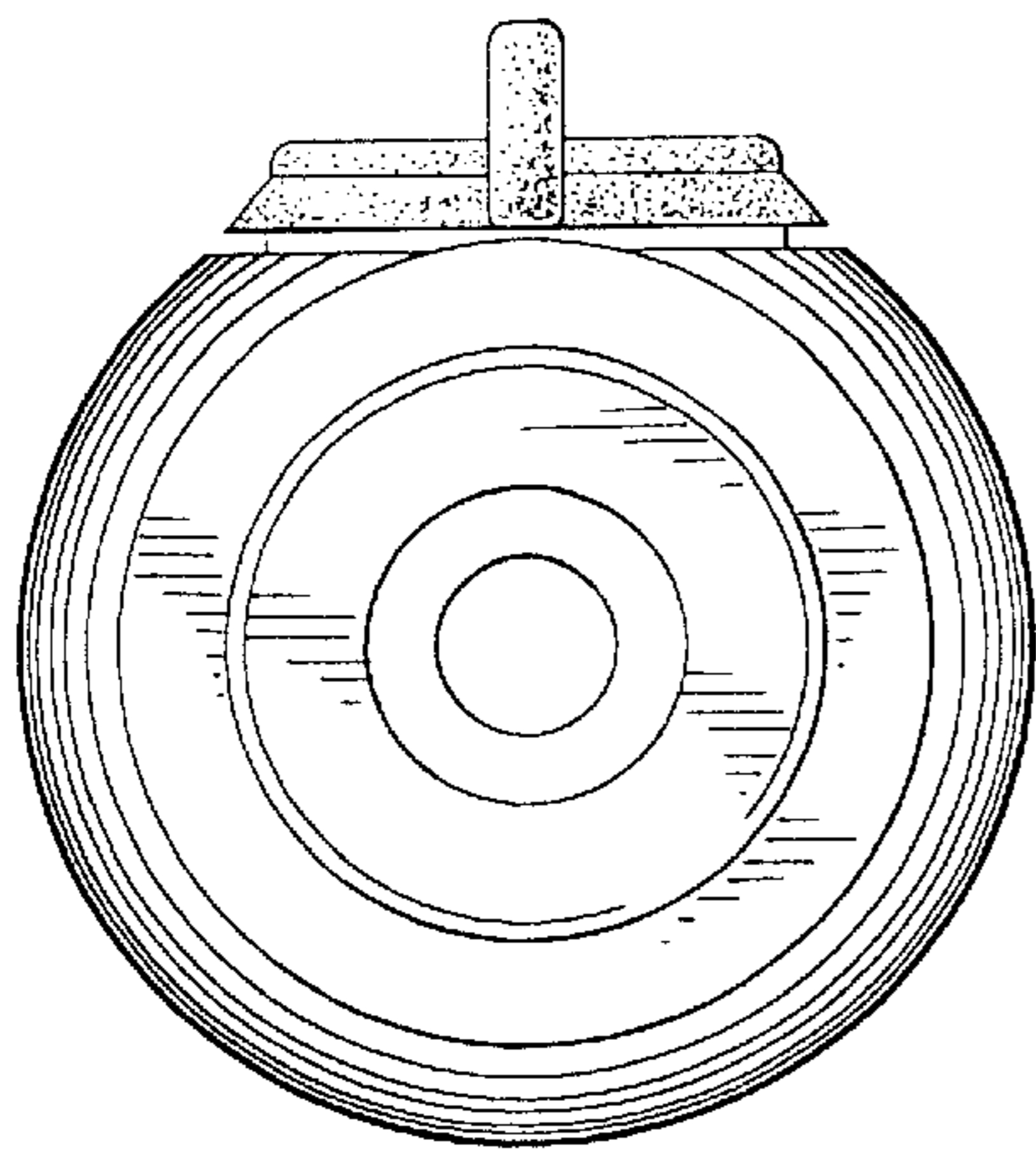




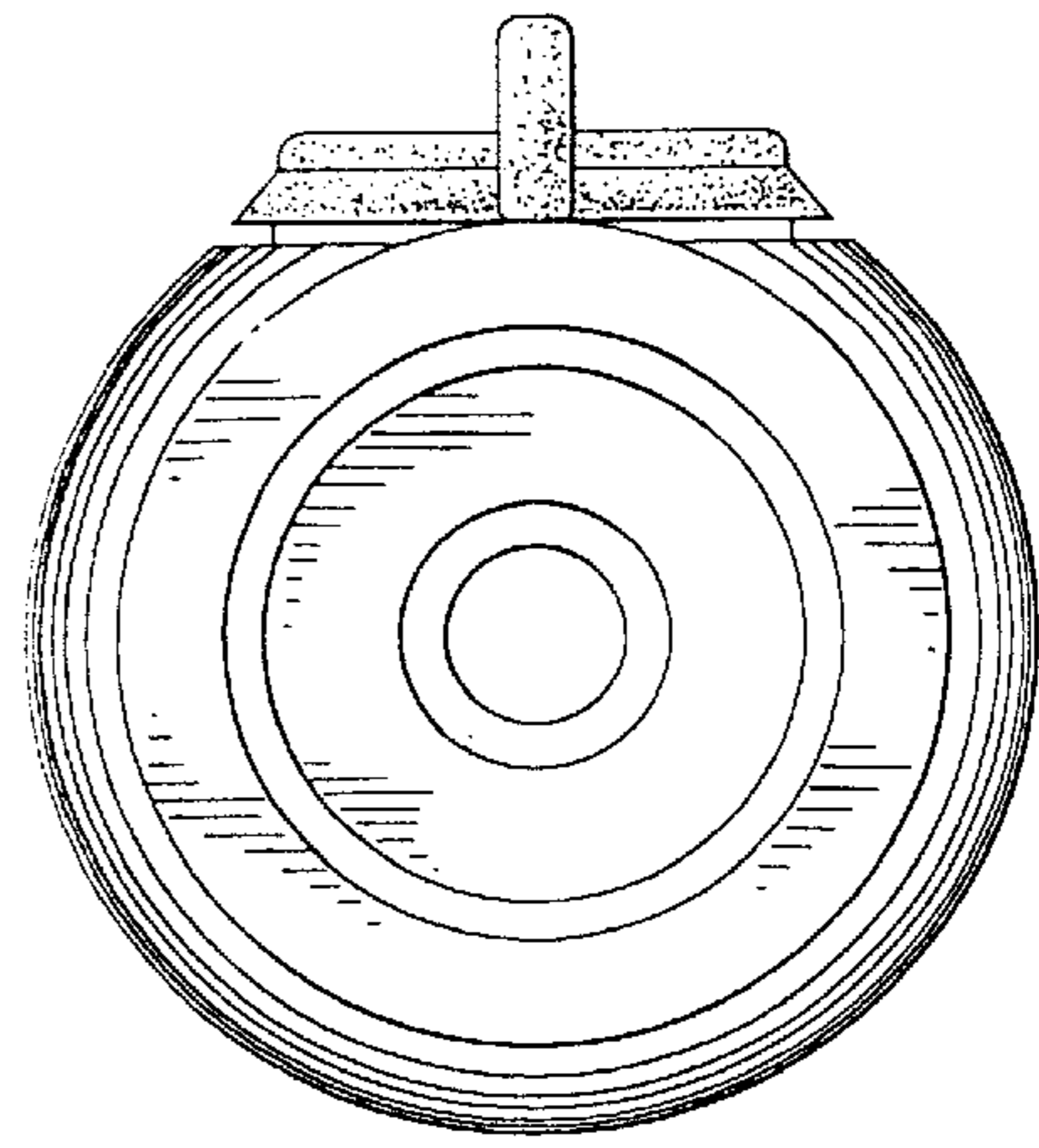
F I G . 1



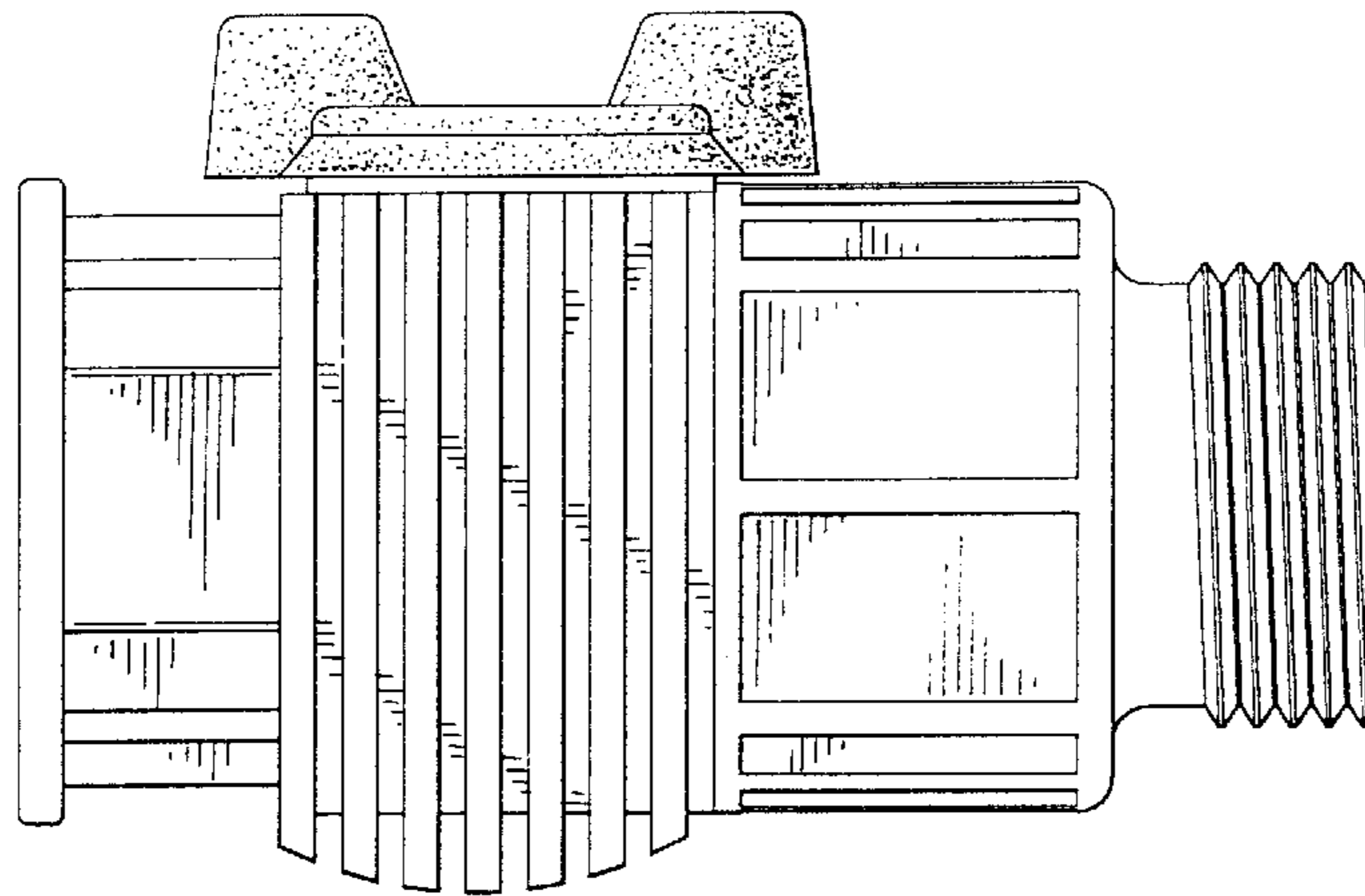
F I G . 8



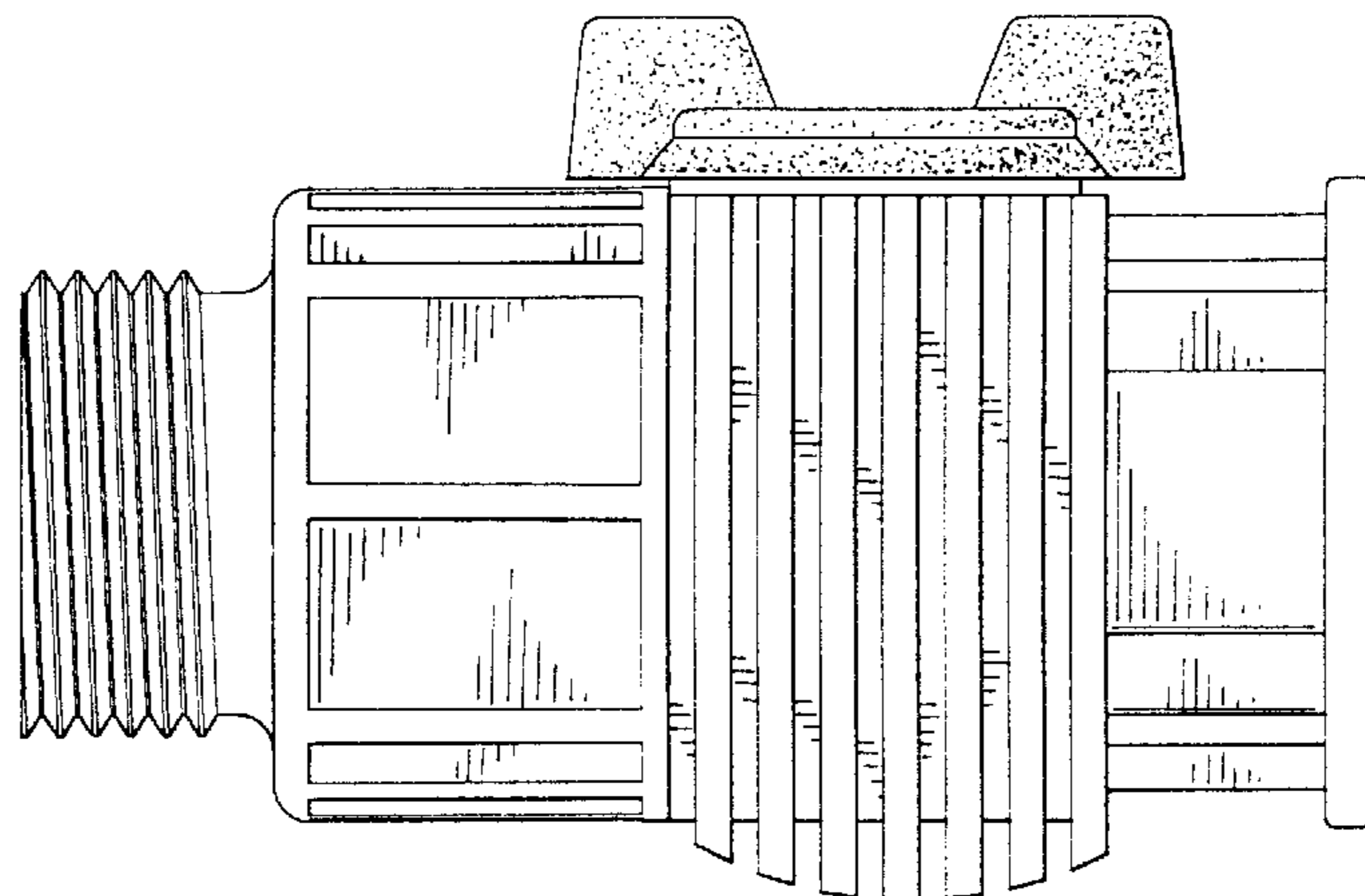
F I G . 2



F I G . 3



F I G . 4



F I G . 5

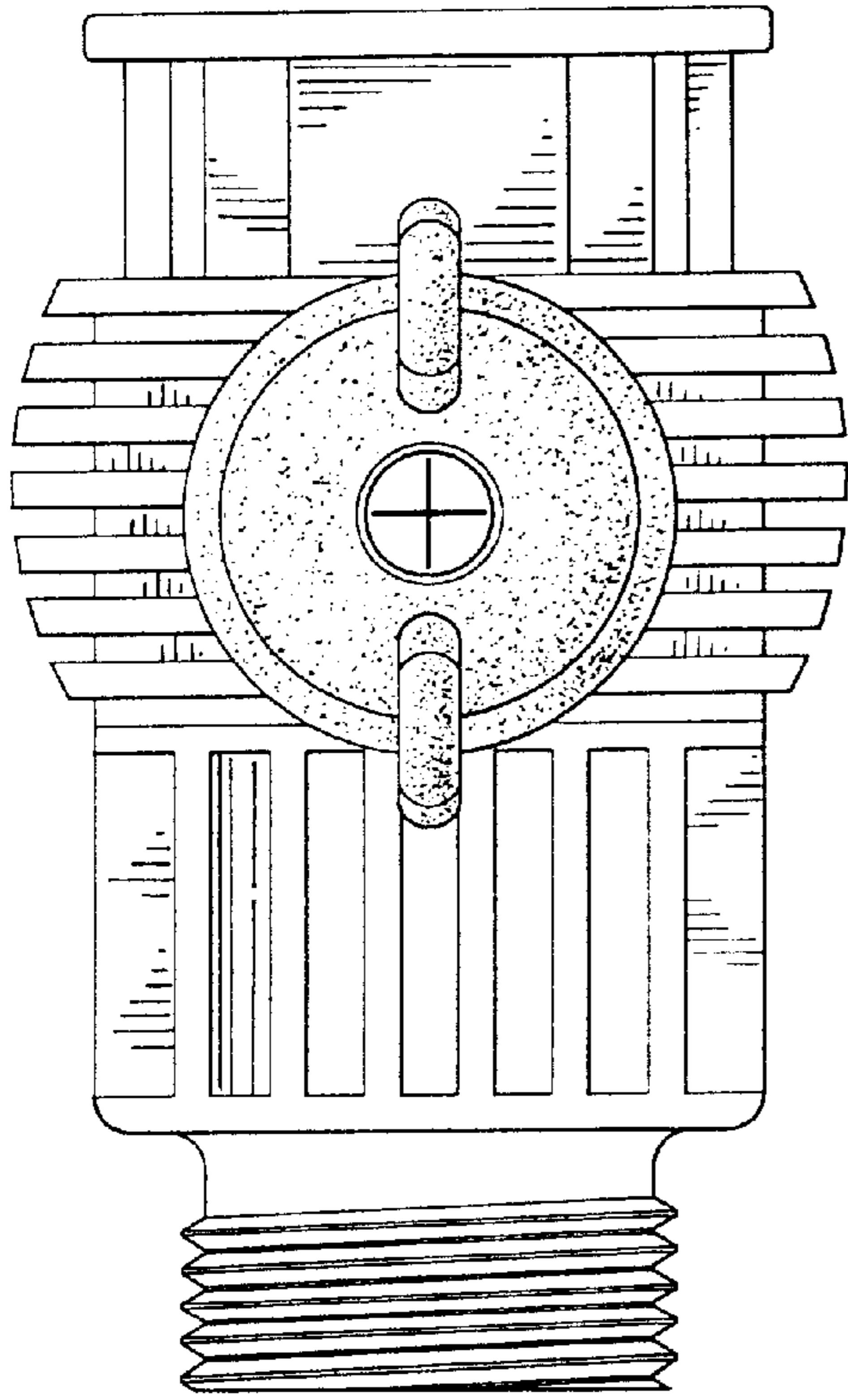


FIG. 6

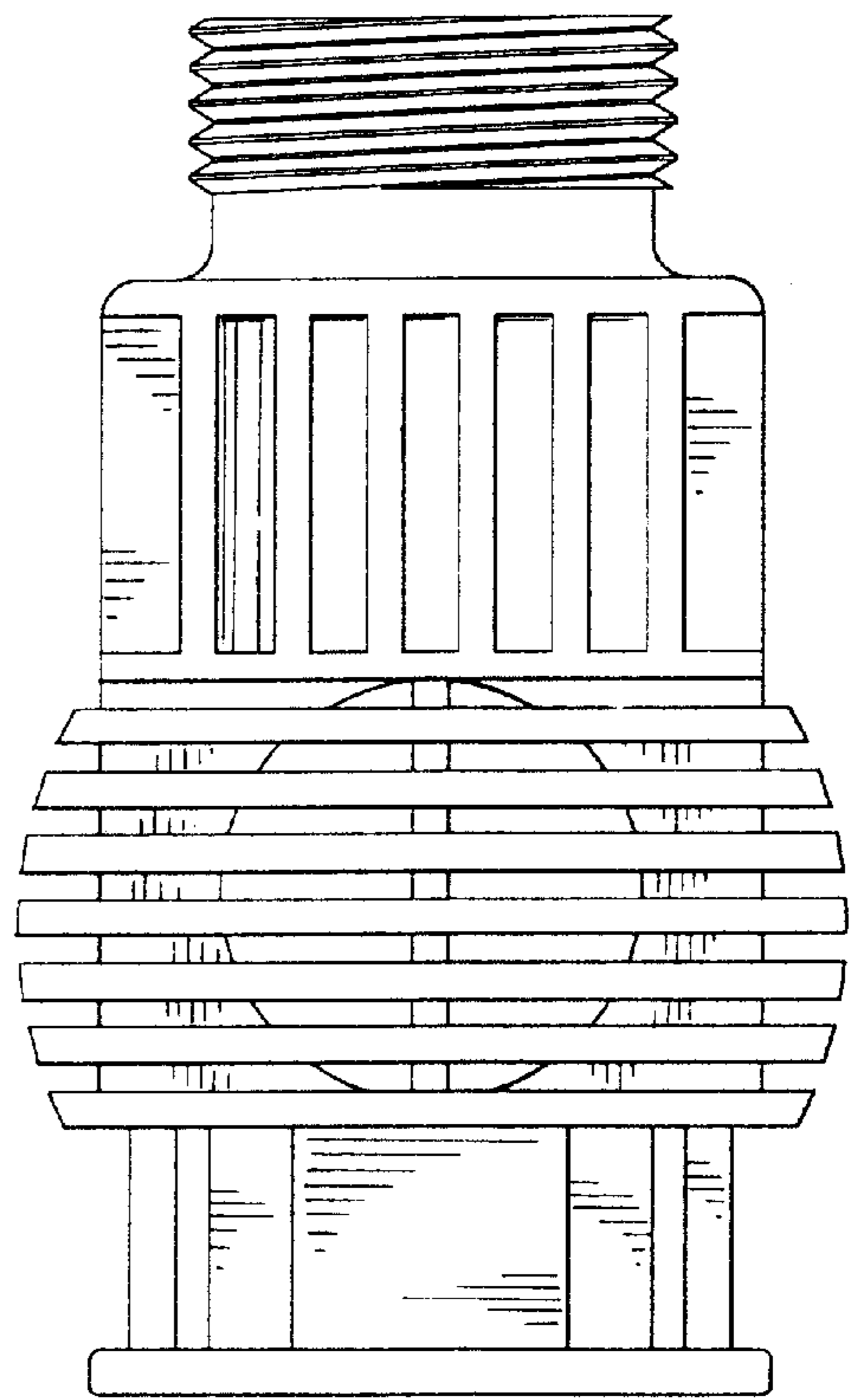


FIG. 7