



US00D471956S

(12) **United States Design Patent**
Zhao

(10) **Patent No.:** **US D471,956 S**

(45) **Date of Patent:** **** Mar. 18, 2003**

(54) **SPRAY NOZZLE**

D445,874 S * 7/2001 Czerwinski et al. D23/226

(75) Inventor: **Weidong Zhao**, Xiamen (CN)

* cited by examiner

(73) Assignee: **Xiamen Lota International Co., Ltd.**,
Xiamen (CN)

Primary Examiner—Robin V. Taylor

(74) *Attorney, Agent, or Firm*—Wallenstein & Wagner, Ltd.

(**) Term: **14 Years**

(57) **CLAIM**

(21) Appl. No.: **29/164,388**

I claim the ornamental design for a spray nozzle, shown and described.

(22) Filed: **Jul. 24, 2002**

DESCRIPTION

(51) **LOC (7) Cl.** **23-01**

(52) **U.S. Cl.** **D23/226**

(58) **Field of Search** D23/213, 223,
D23/226; 239/525–527, 394

FIG. 1 is a perspective view of the spray nozzle of the invention;

FIG. 2 is a front view of the spray nozzle of FIG. 1;

FIG. 3 is a left side view of the spray nozzle of FIG. 1;

FIG. 4 is a right view of the spray nozzle of FIG. 1;

FIG. 5 is a rear side view of the spray nozzle of FIG. 1;

FIG. 6 is a top view of the spray nozzle of FIG. 1; and,

FIG. 7 is a bottom view of the spray nozzle of FIG. 1.

The broken line showing is for illustrative purposes only and forms no part of the claimed design.

(56) **References Cited**

U.S. PATENT DOCUMENTS

D373,174 S	*	8/1996	Valley et al.	D23/226
D380,808 S	*	7/1997	Barre	D23/226
D434,830 S	*	12/2000	Liou	D23/226
D441,052 S	*	4/2001	Lu	D23/226

1 Claim, 4 Drawing Sheets

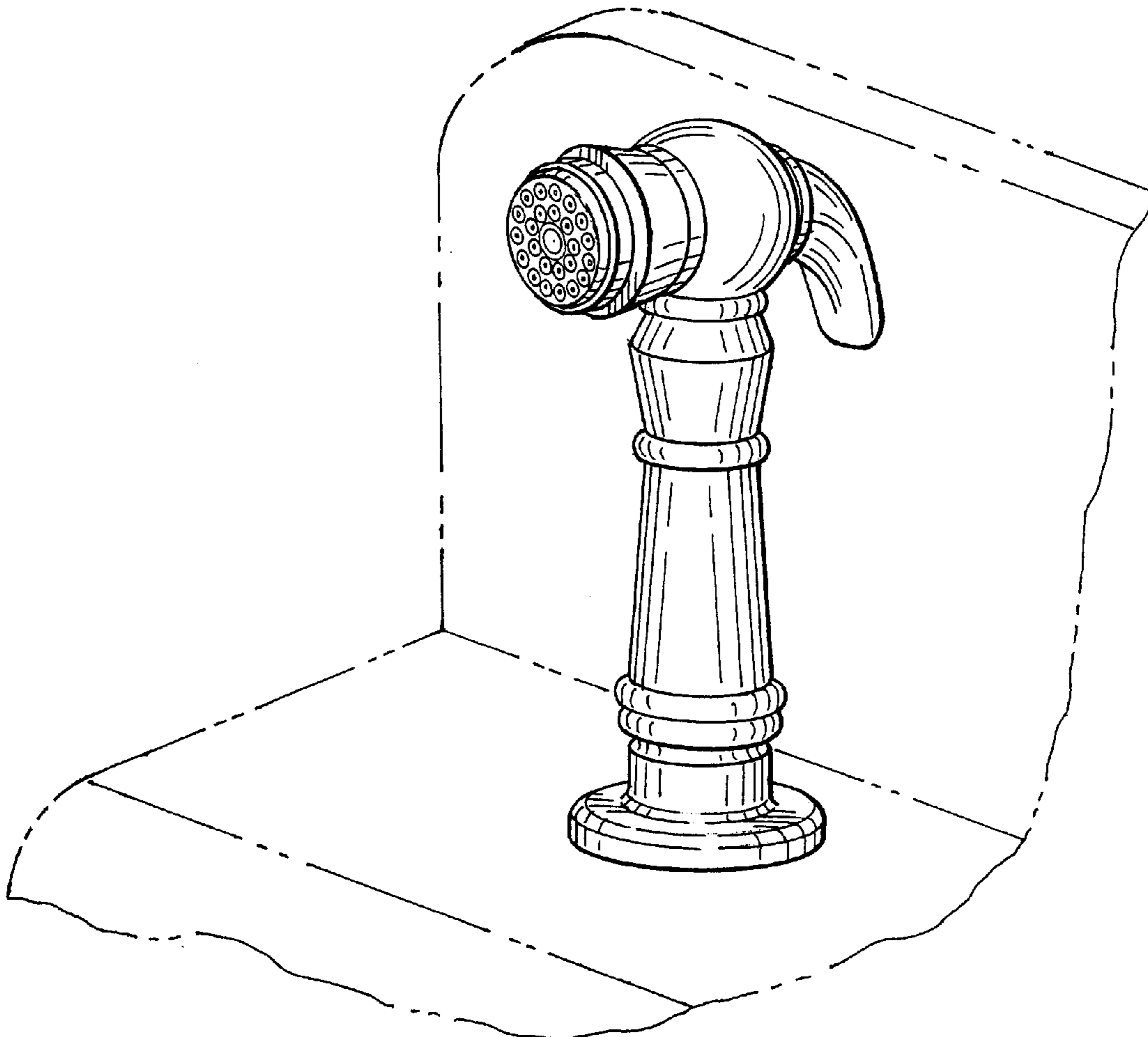


FIG. 1

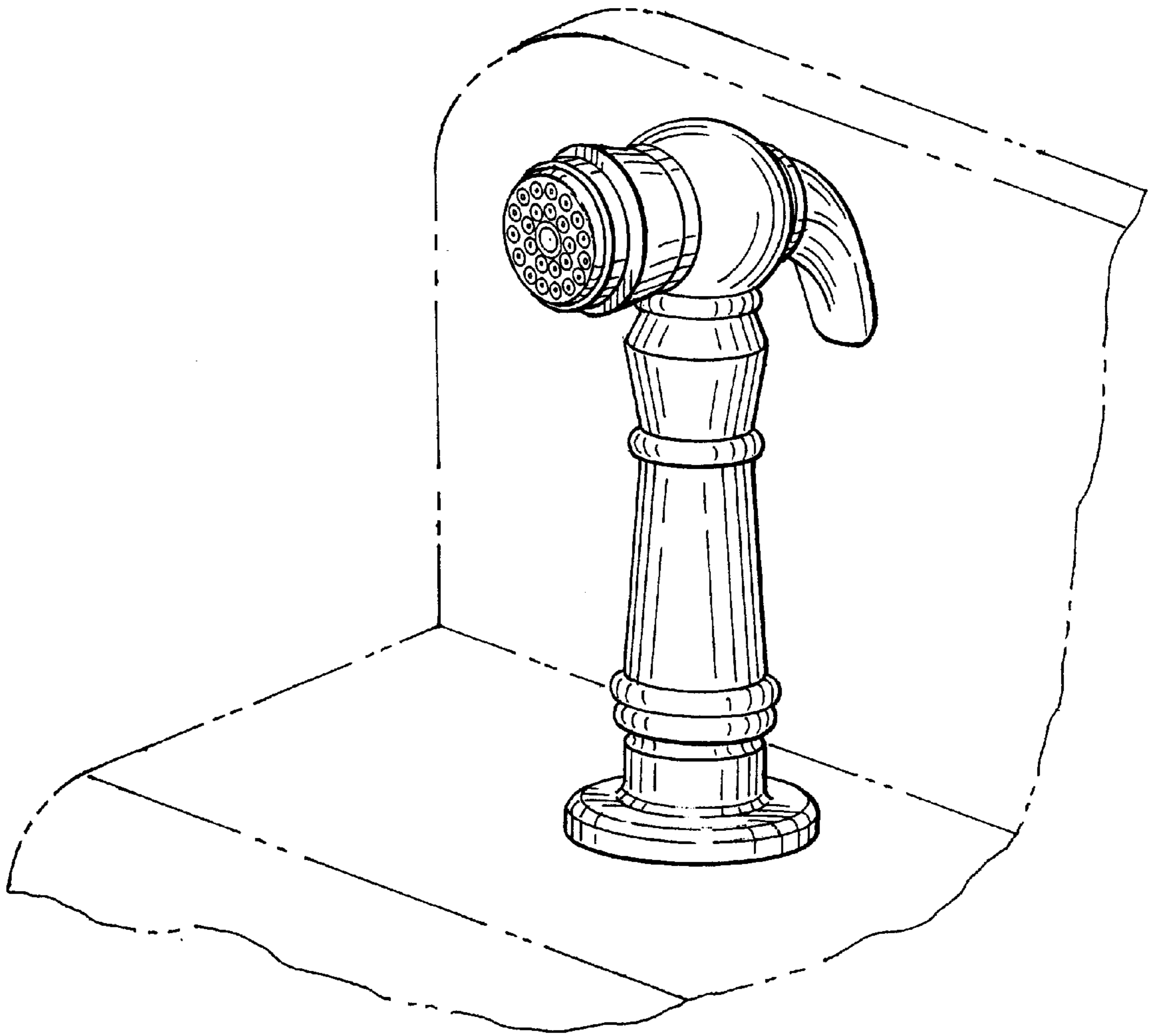


FIG.3

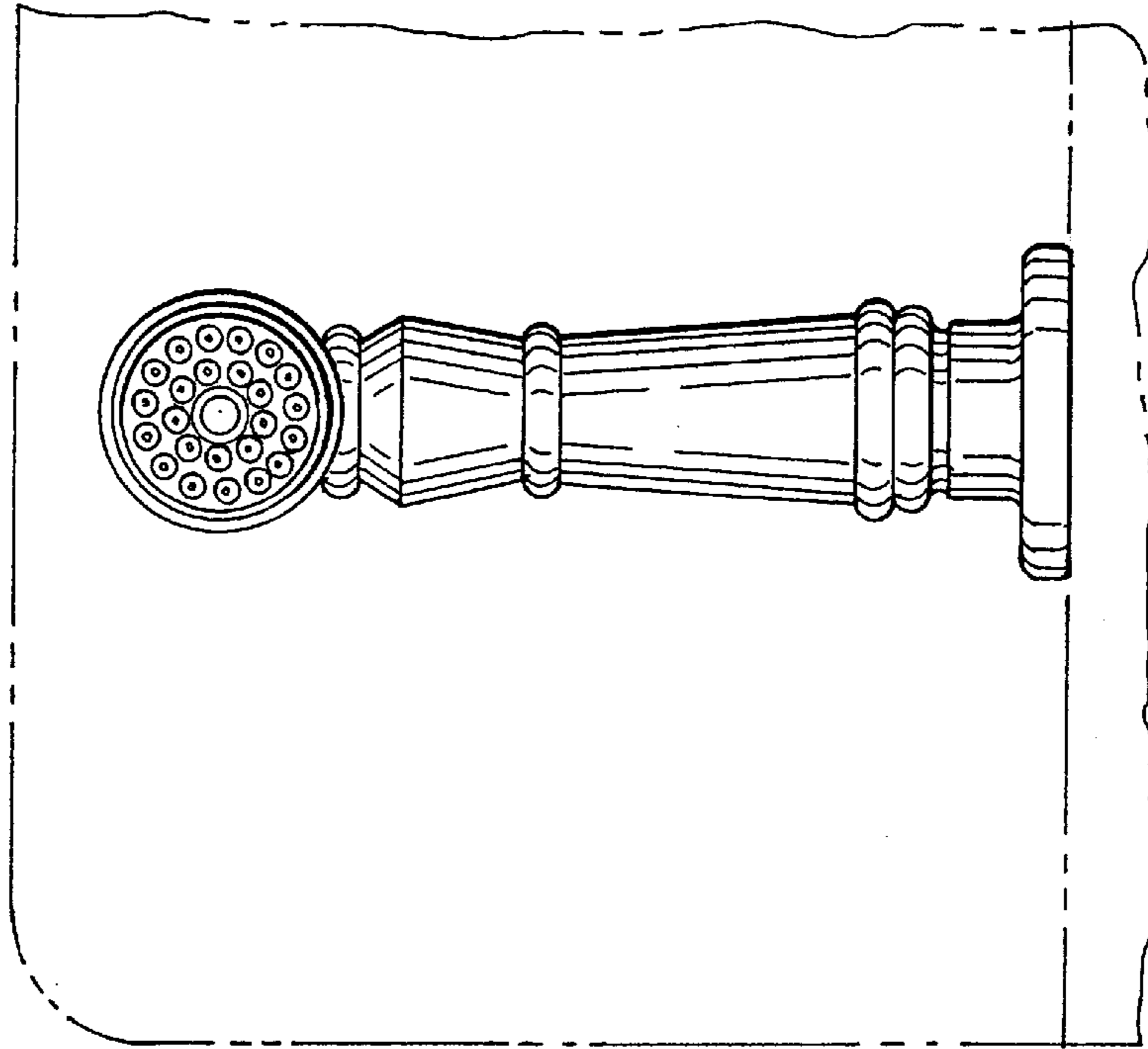


FIG.2

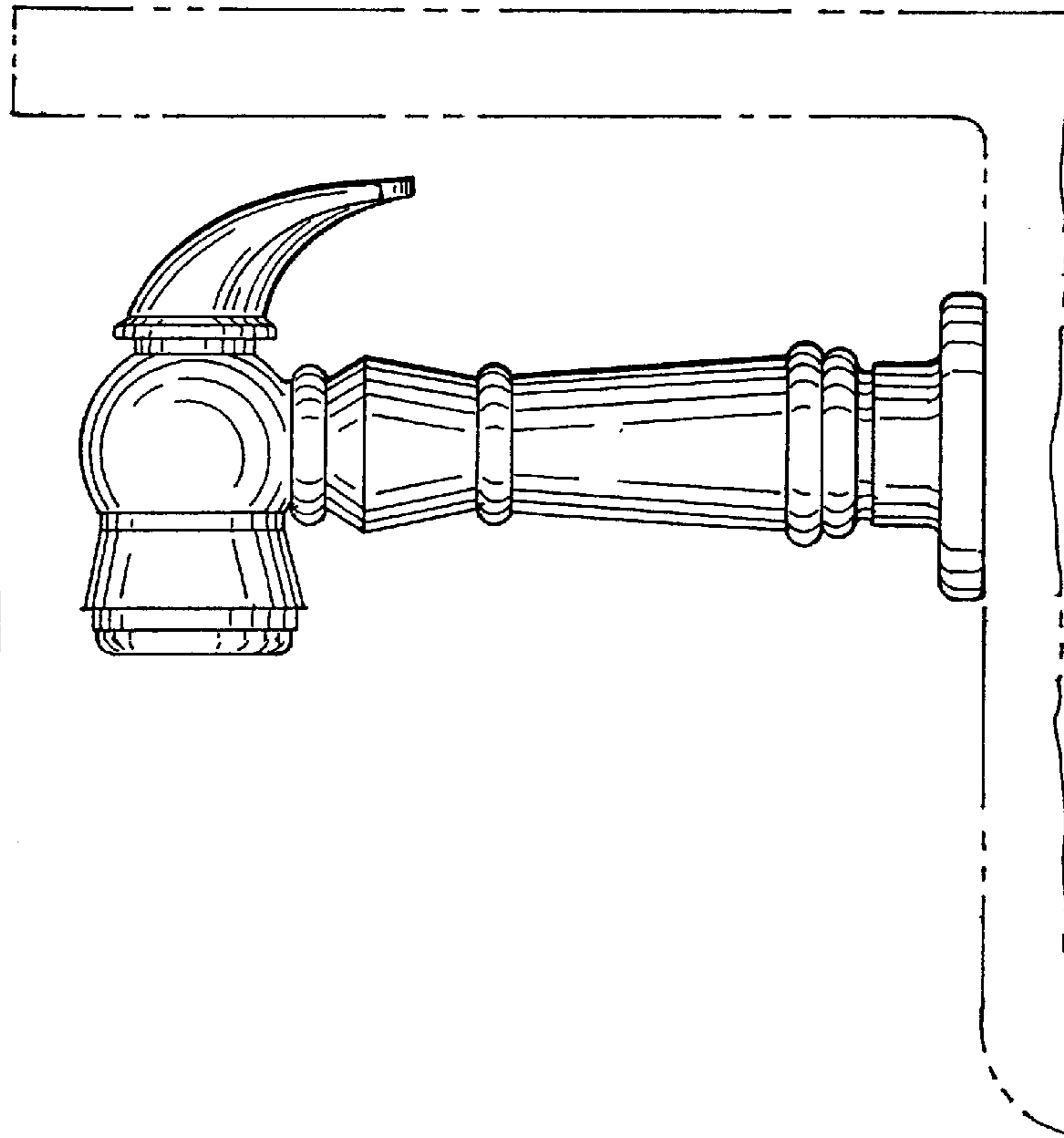


FIG.5

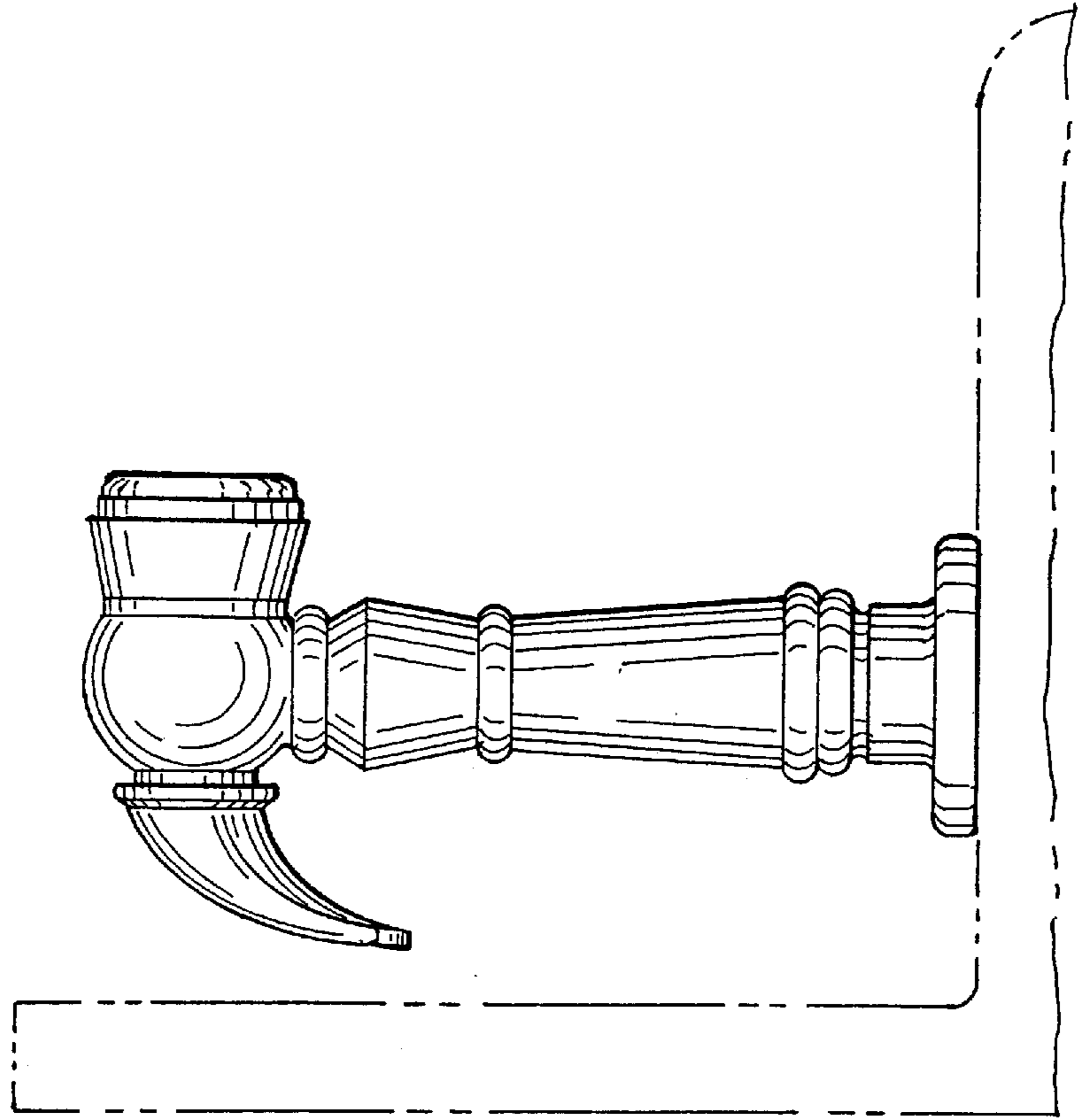


FIG.4

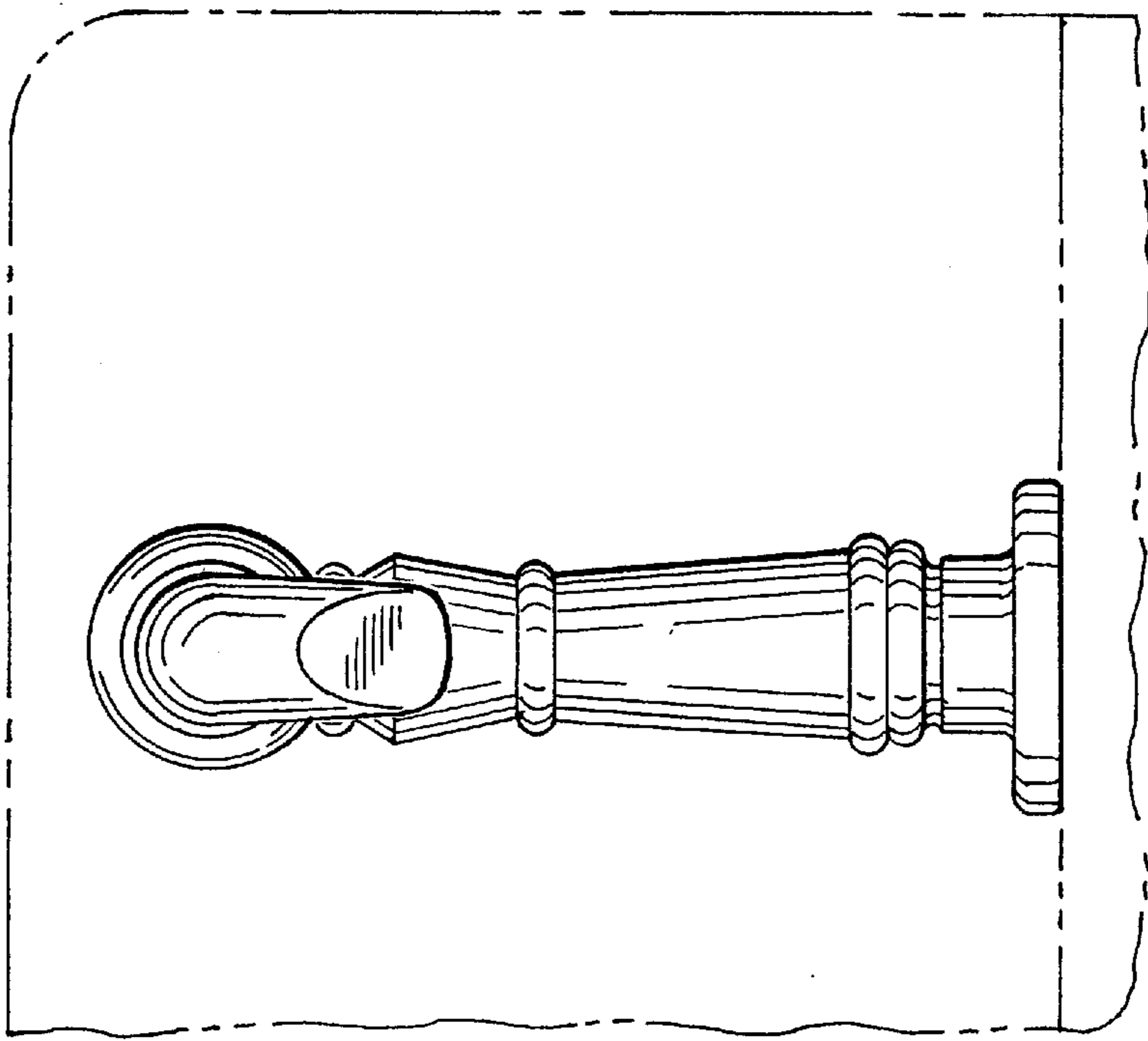


FIG.6

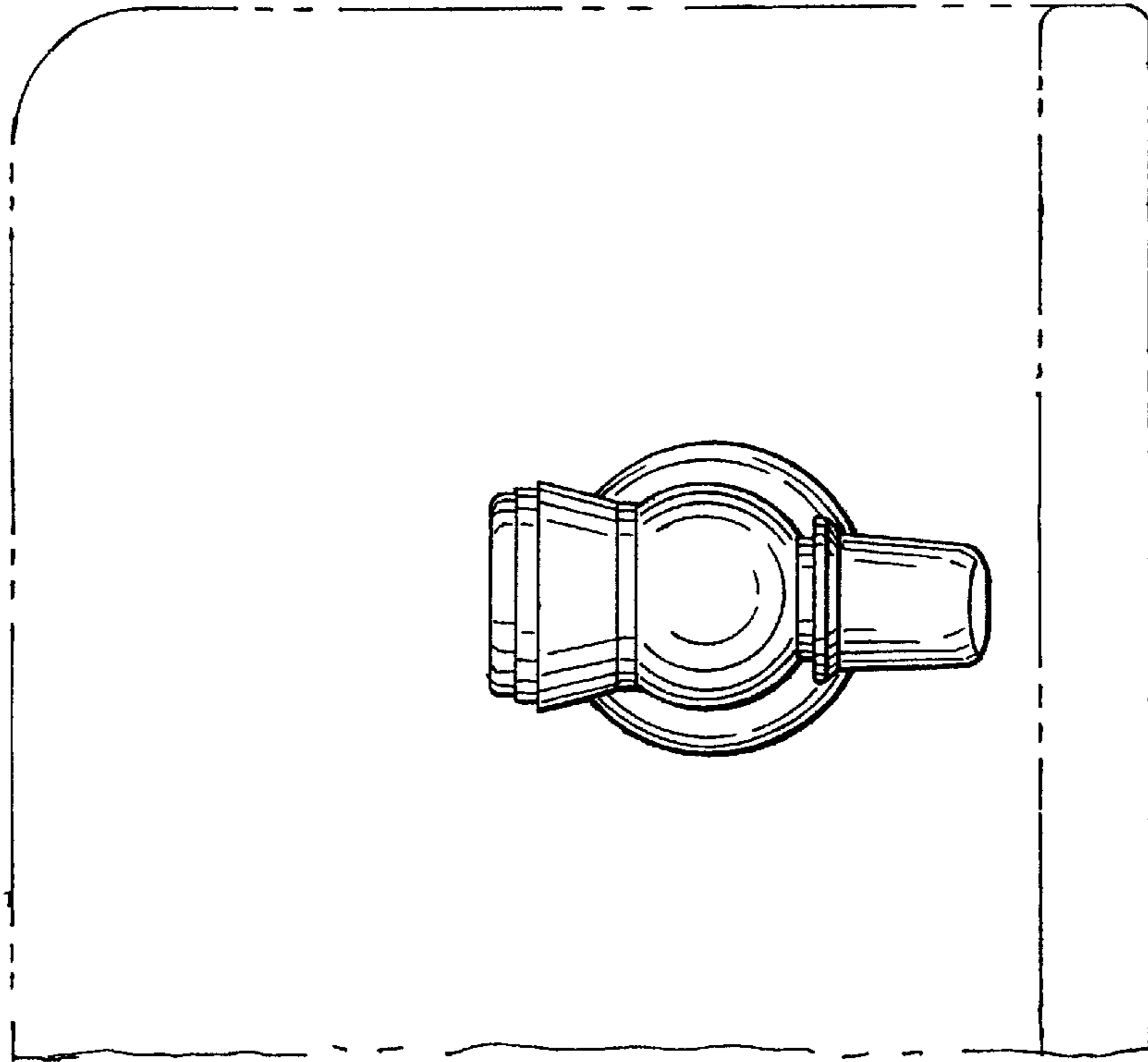


FIG.7

