



US00D471955S

(12) **United States Design Patent**  
**Lord**

(10) **Patent No.:** **US D471,955 S**

(45) **Date of Patent:** **\*\* \*Mar. 18, 2003**

(54) **VEGETABLE SPRAY**

(75) Inventor: **Judd A. Lord**, Carmel, IN (US)

(73) Assignee: **Masco Corporation of Indiana**,  
Indianapolis, IN (US)

(\* ) Notice: This patent is subject to a terminal disclaimer.

(\*\* ) Term: **14 Years**

(21) Appl. No.: **29/148,261**

(22) Filed: **Sep. 18, 2001**

(51) **LOC (7) Cl.** ..... **23-01**

(52) **U.S. Cl.** ..... **D23/223**

(58) **Field of Search** ..... D23/213, 223,  
D23/226; 239/249, 250, 526; 4/615

(56) **References Cited**

**U.S. PATENT DOCUMENTS**

D308,093 S	5/1990	Hill et al.	
D406,317 S	3/1999	Hill et al.	
D415,822 S	* 10/1999	Ouyoung	D23/226
D420,427 S	* 2/2000	Yung	D23/226
D434,830 S	* 12/2000	Liou	D23/226
D441,052 S	* 4/2001	Lu	D23/226
D445,874 S	* 7/2001	Czerwinski	D23/226

**OTHER PUBLICATIONS**

U.S. patent application Ser. No. 29/148,303 filed Sep. 18, 2001.

U.S. patent application Ser. No. 29/148,271 filed Sep. 18, 2001.

U.S. patent application Ser. No. 29/148,300 filed Sep. 18, 2001.

U.S. patent application Ser. No. 29/148,304 filed Sep. 18, 2001.

U.S. patent application Ser. No. 29/148,305 filed Sep. 18, 2001.

\* cited by examiner

*Primary Examiner*—Robin V. Taylor

(74) *Attorney, Agent, or Firm*—Lloyd D. Doigan

(57) **CLAIM**

The ornamental design for a vegetable spray, as shown and described.

**DESCRIPTION**

FIG. 1 is a front perspective view of the vegetable spray showing my new design;

FIG. 2 is a rear perspective view thereof;

FIG. 3 is a left side elevational view thereof;

FIG. 4 is a rear elevational view thereof;

FIG. 5 is a top plan view thereof;

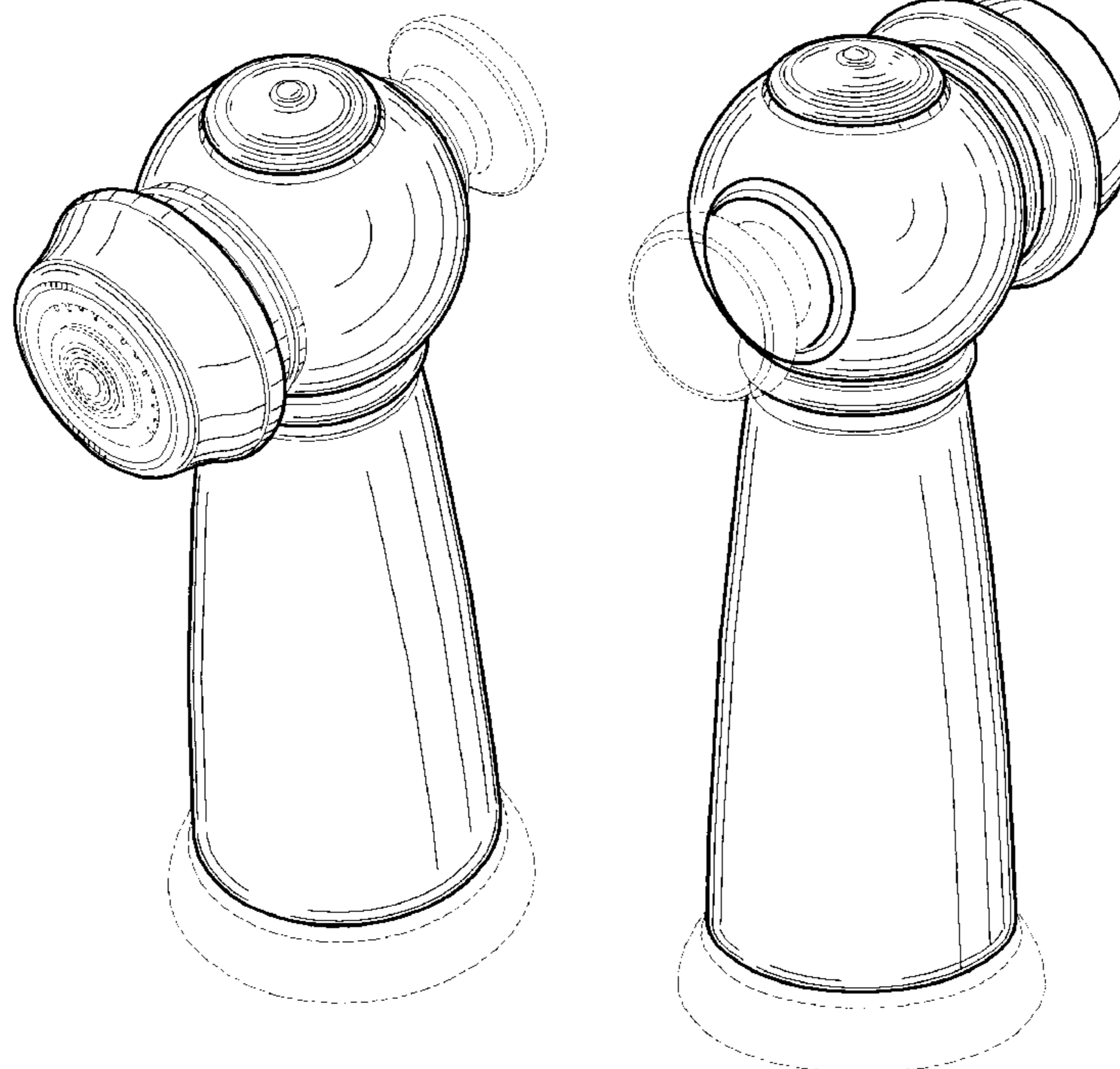
FIG. 6 is a front elevational view thereof;

FIG. 7 is a bottom plan view thereof; and,

FIG. 8 is a right side elevational view thereof.

The broken line showings of the activation button in FIGS. 1-3, 5, 7 and 8, of the base in FIGS. 1-8, of the interior annular shoulders in FIG. 7, and of the faceplate of FIGS. 1, 3 and 5-8 are for purposes of illustration only and form no part of the claimed design.

**1 Claim, 5 Drawing Sheets**



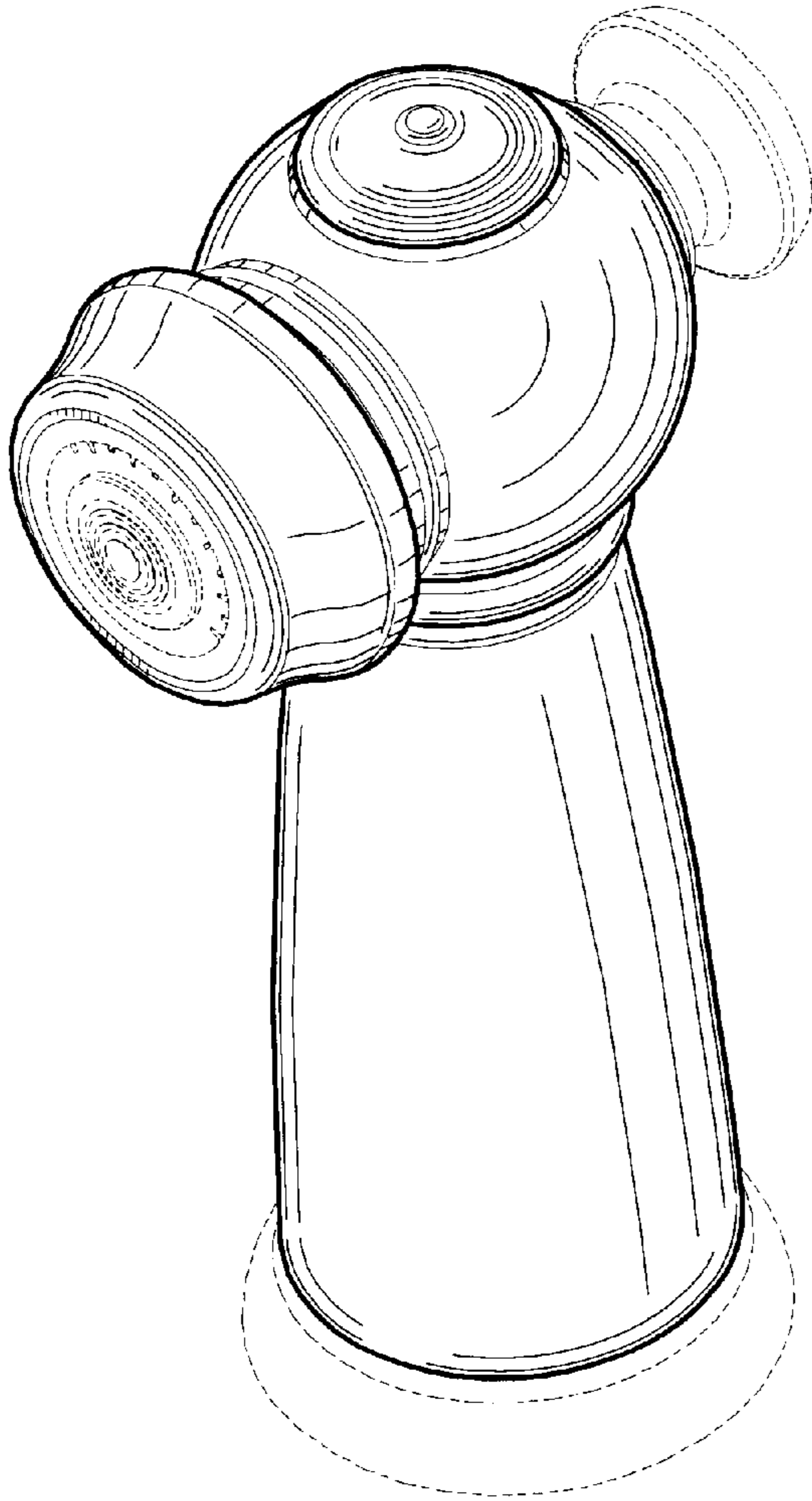


Figure - 1

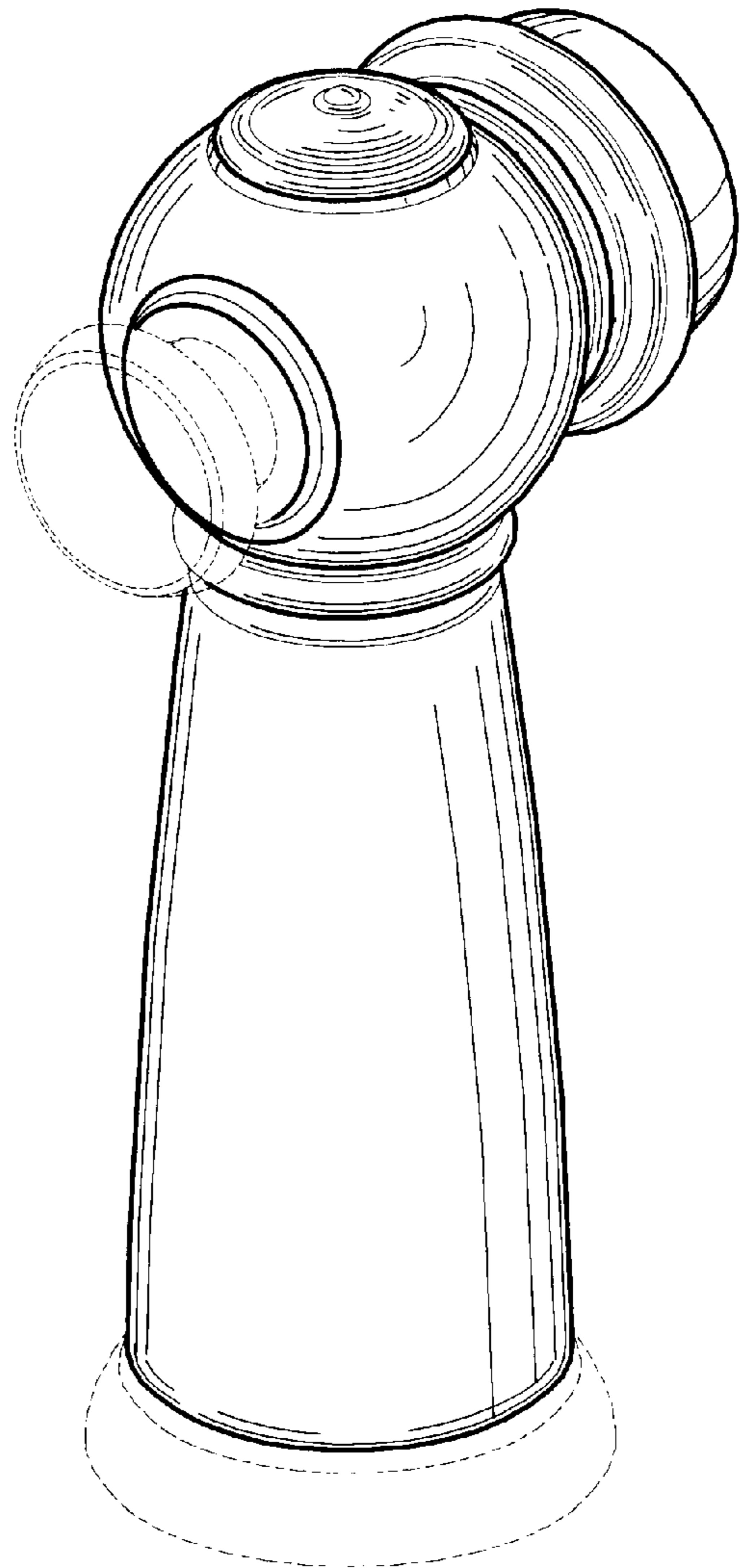
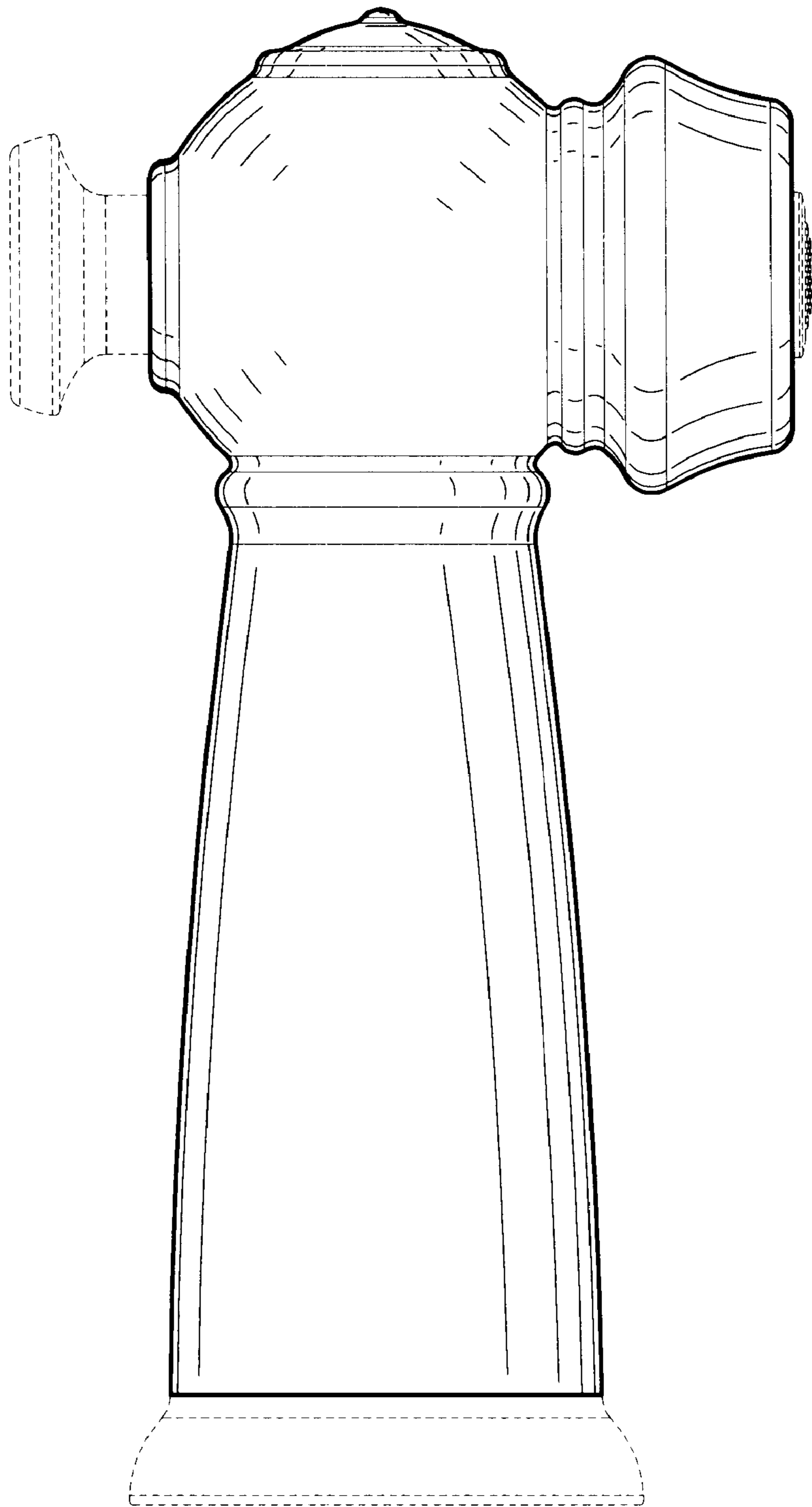


Figure - 2



**Figure - 3**

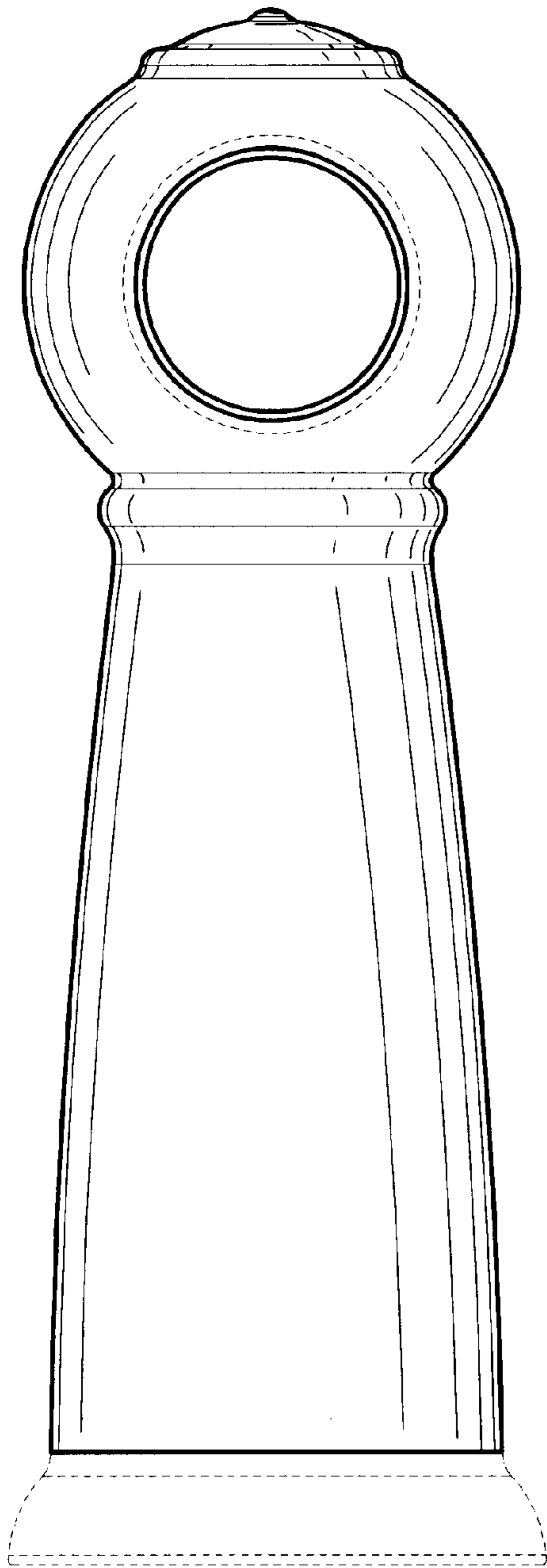
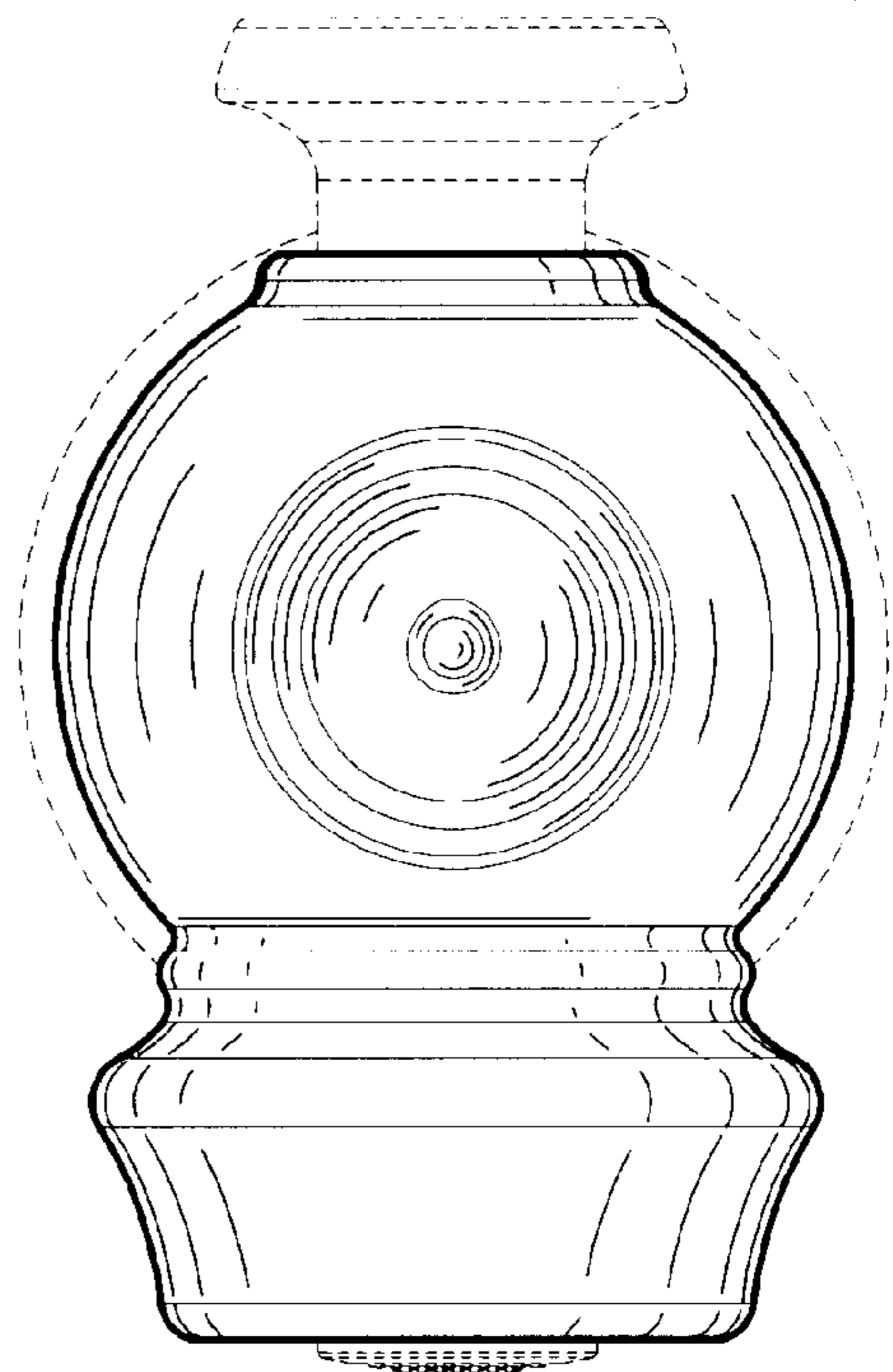


Figure - 5

Figure - 4



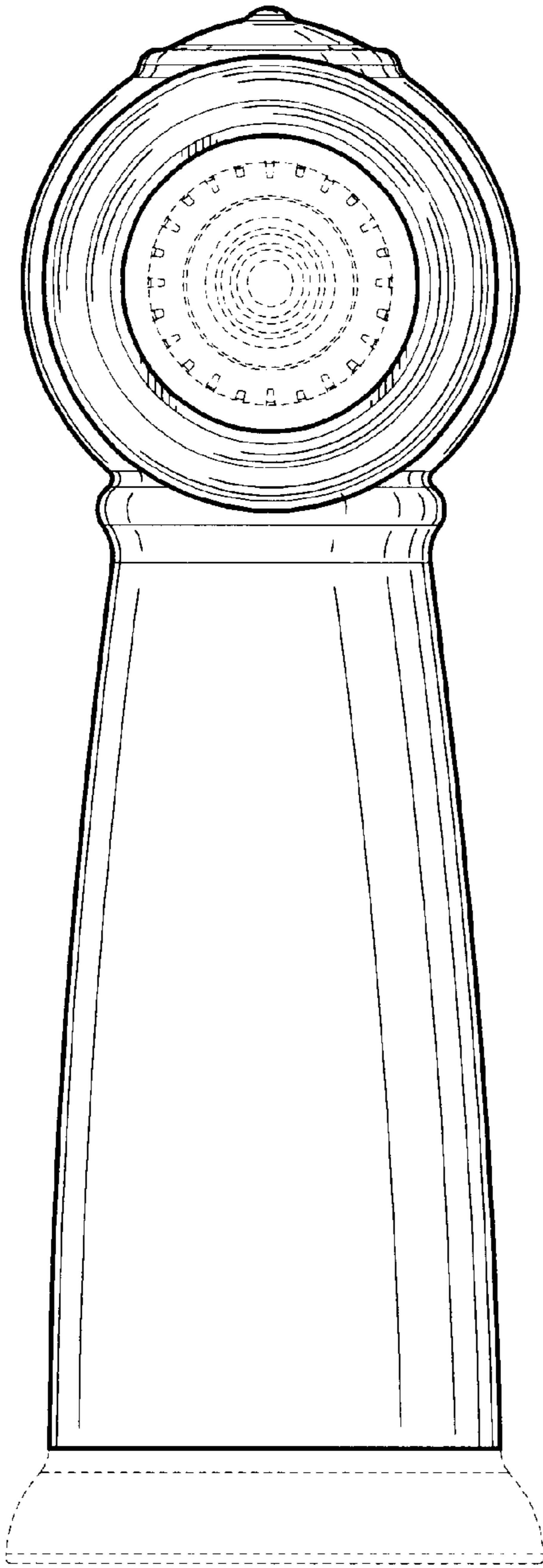
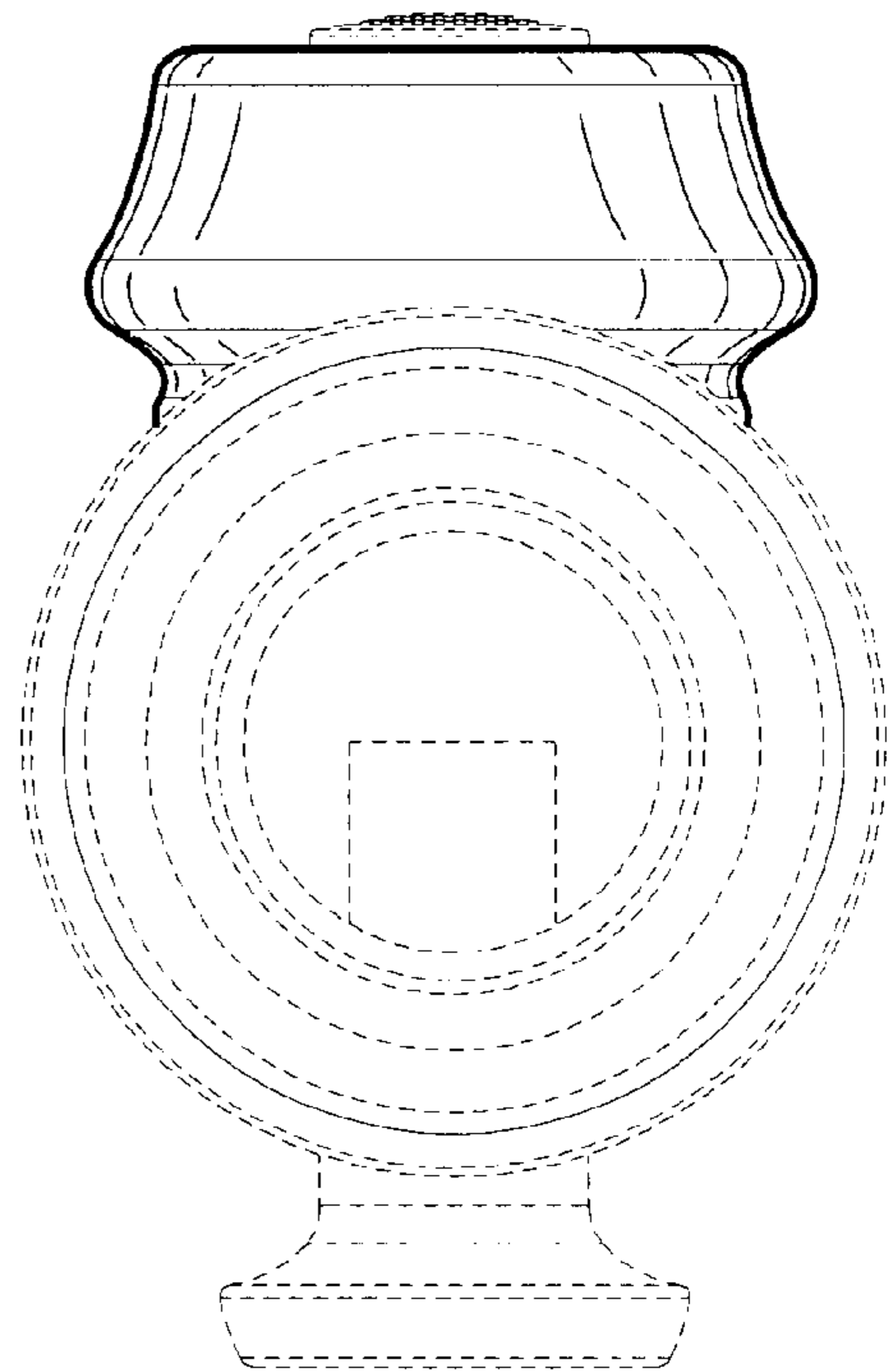


Figure - 7

Figure - 6



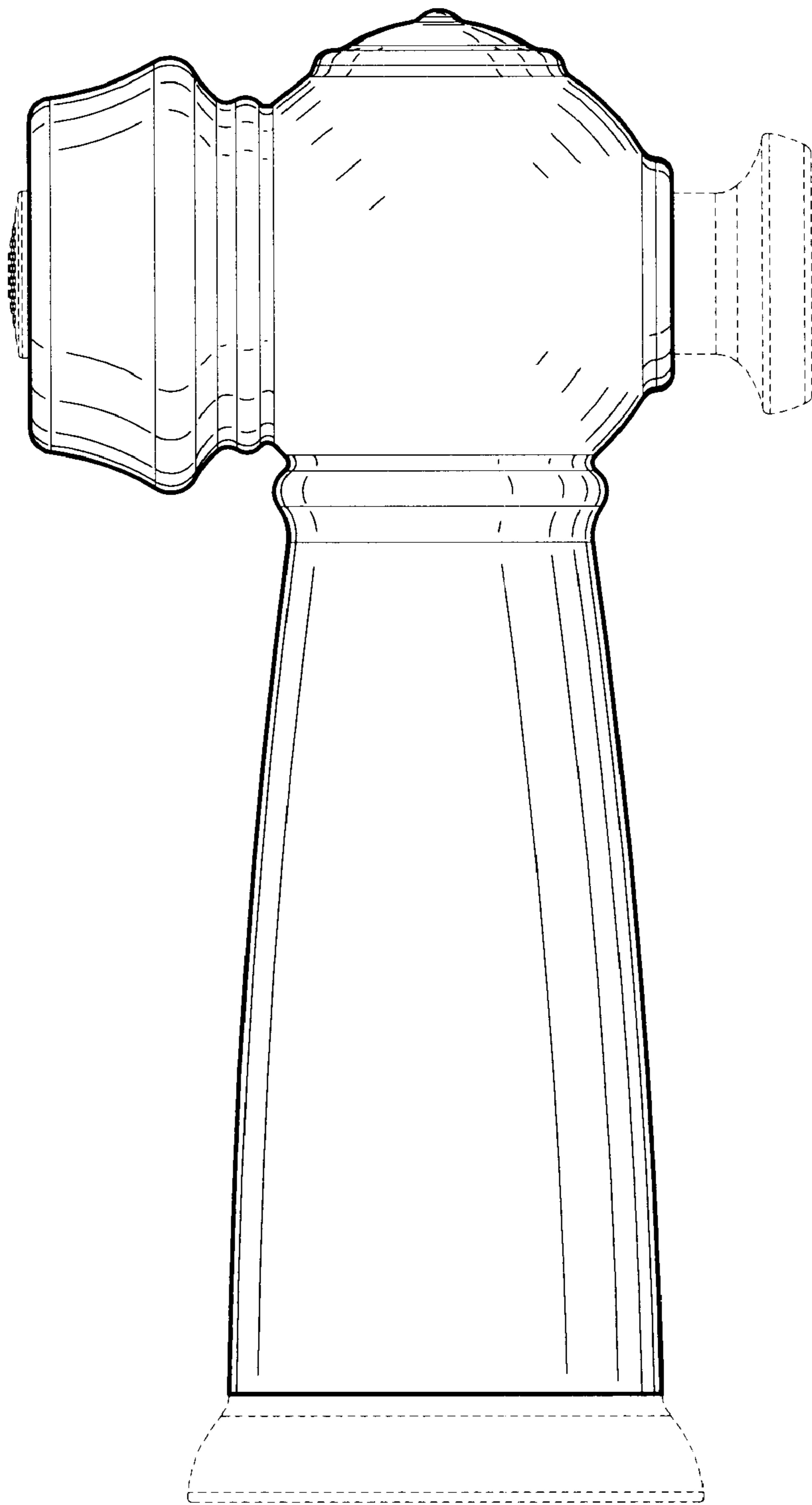


Figure - 8